



US00D637522S

(12) **United States Design Patent**
Ransom et al.

(10) **Patent No.:** **US D637,522 S**

(45) **Date of Patent:** **** May 10, 2011**

(54) **MOTOR VEHICLE BODY**

D625,664 S * 10/2010 Giugiaro D12/92
D628,124 S * 11/2010 Stephenson D12/92

(75) Inventors: **Peter T. Ransom**, Yatala (AU); **Todd Ransom**, Wombelano (AU); **Brian P MacDonald**, Brookfield (AU); **Michael Hinchy**, Birkdale (AU); **Scott Bartie**, Bonogin (AU)

* cited by examiner

Primary Examiner — Melody N Brown

(74) *Attorney, Agent, or Firm* — Klein, O’Neill & Singh, LLP

(73) Assignee: **Aero Investments Pty Ltd**, Brisbane (AU)

(57) **CLAIM**

The ornamental design for a motor vehicle body, as shown and described.

(**) Term: **14 Years**

(21) Appl. No.: **29/377,916**

(22) Filed: **Oct. 27, 2010**

(30) **Foreign Application Priority Data**

Jun. 15, 2010 (AU) 201012448

(51) **LOC (9) Cl.** **12-08**

(52) **U.S. Cl.** **D12/92**

(58) **Field of Classification Search** D12/86,
D12/90–92, 88; D21/424, 433, 434; 296/181.1,
296/181.5

See application file for complete search history.

(56) **References Cited**

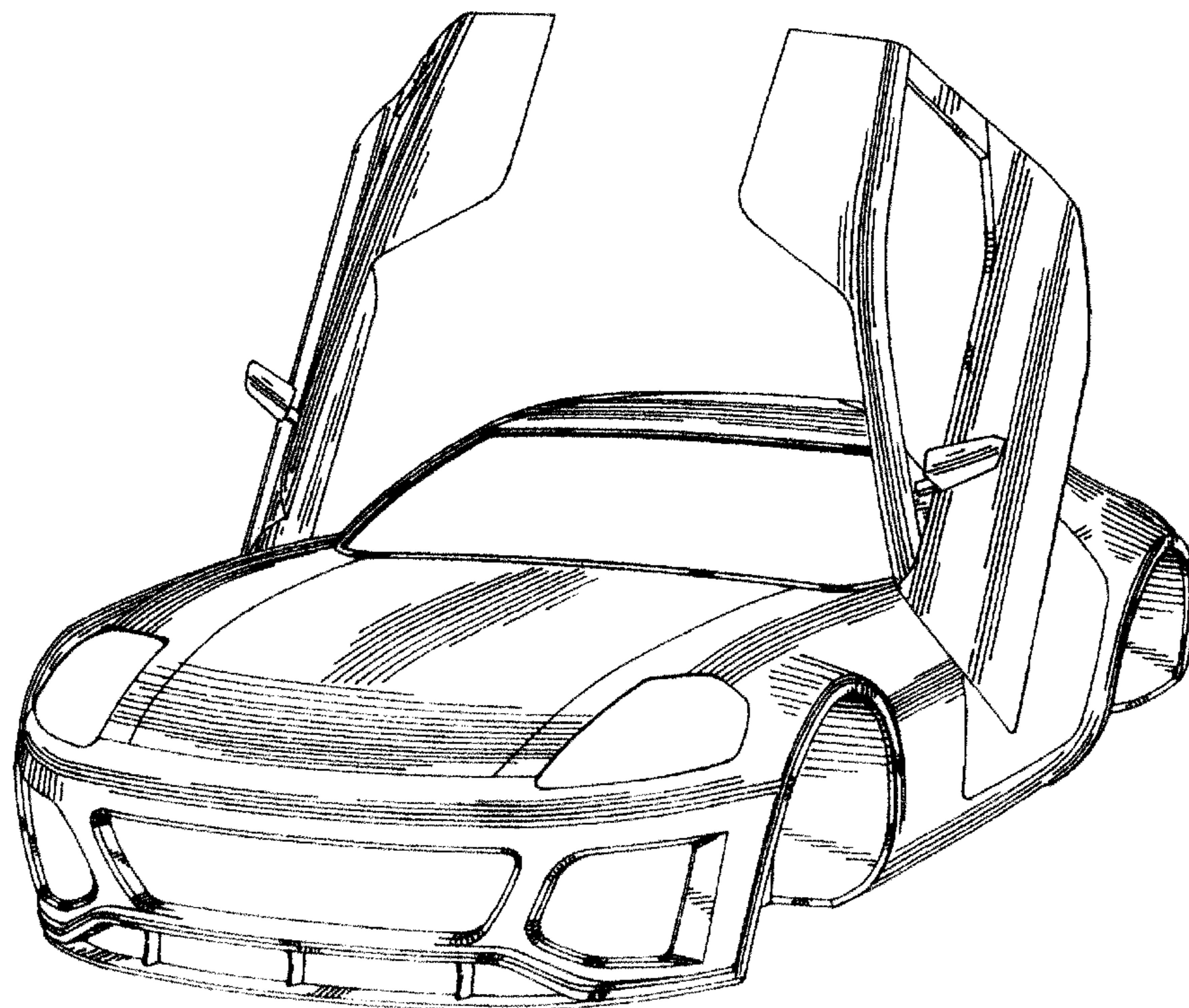
U.S. PATENT DOCUMENTS

D612,769 S * 3/2010 Cimatti D12/92
D617,683 S * 6/2010 Beneggi D12/92

DESCRIPTION

FIG. 1 is a front and left side perspective view of a motor vehicle body, in accordance with our new design, showing the body with doors in a lowered or closed position;
FIG. 2 is a left side elevational view of the motor vehicle body shown in FIG. 1, the right side being identical thereto;
FIG. 3 is top plan view of the motor vehicle body shown in FIG. 1;
FIG. 4 is a bottom plan view of the motor vehicle body shown in FIG. 1;
FIG. 5 is a rear elevational view of the motor vehicle body shown in FIG. 1;
FIG. 6 is front elevational view of the motor vehicle body shown in FIG. 1; and,
FIG. 7 is a front and left side perspective view of the motor vehicle body shown in FIG. 1, showing the body with doors in a raised or open position.

1 Claim, 7 Drawing Sheets



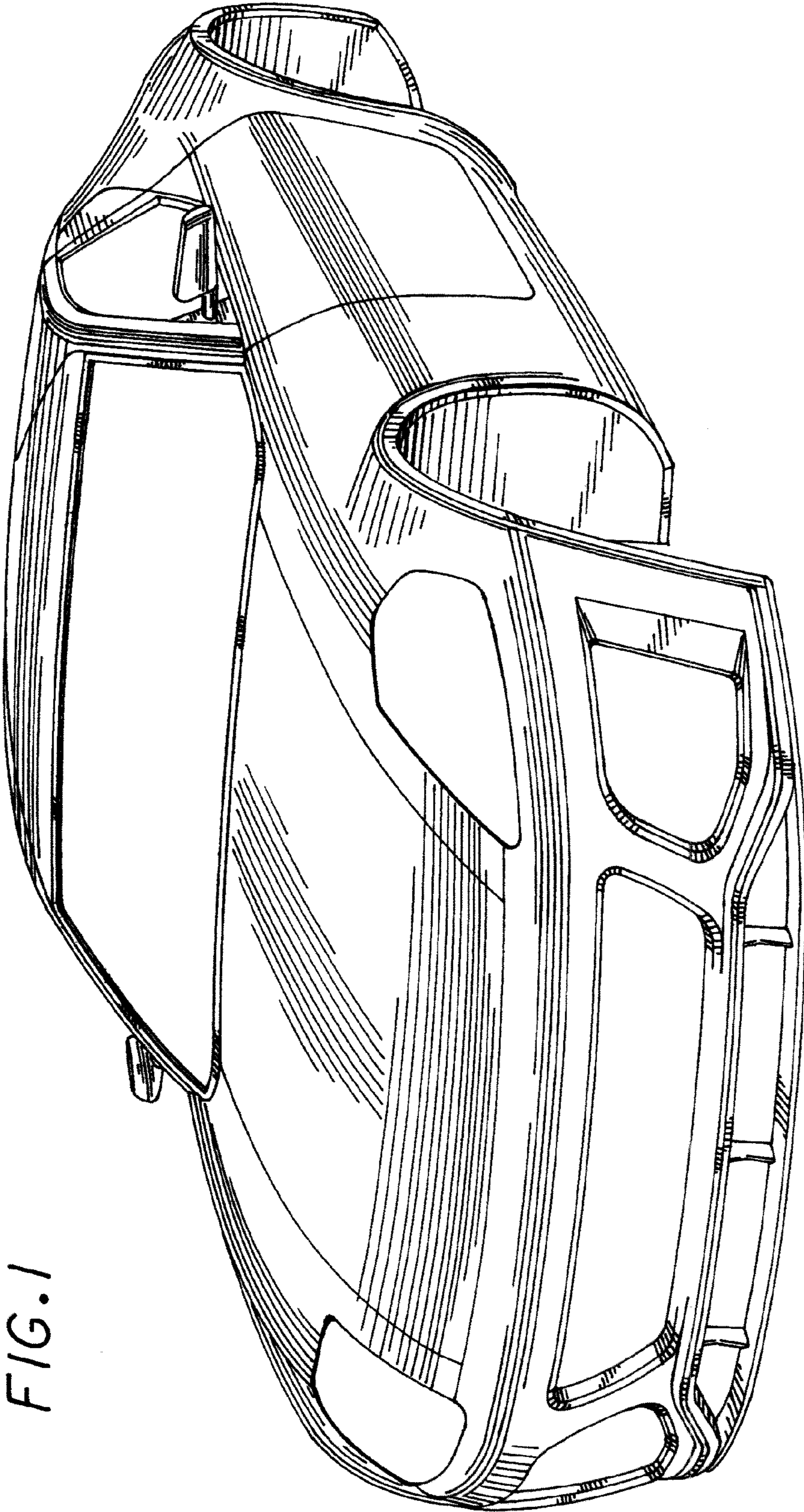


FIG. 1

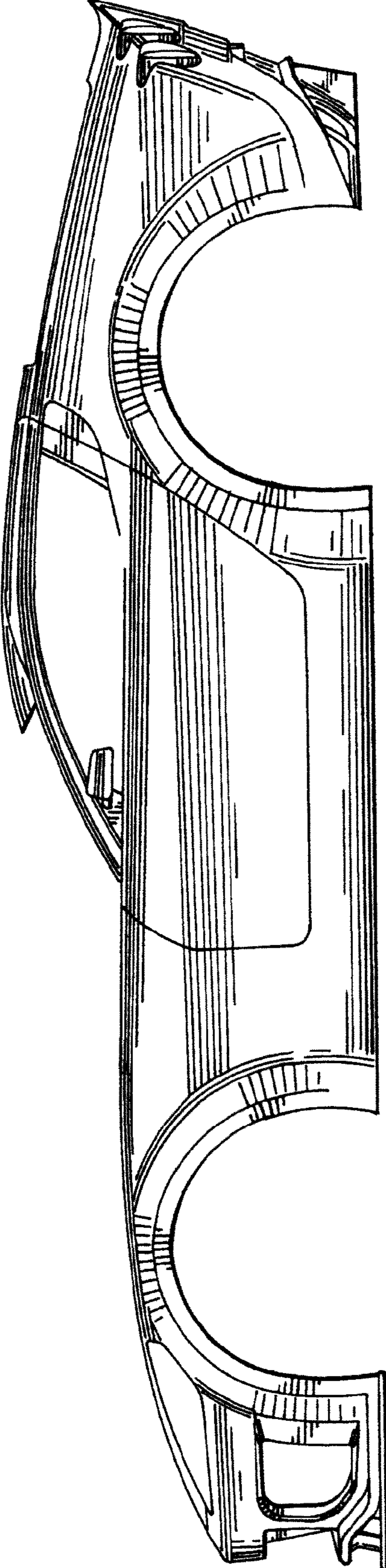


FIG. 2

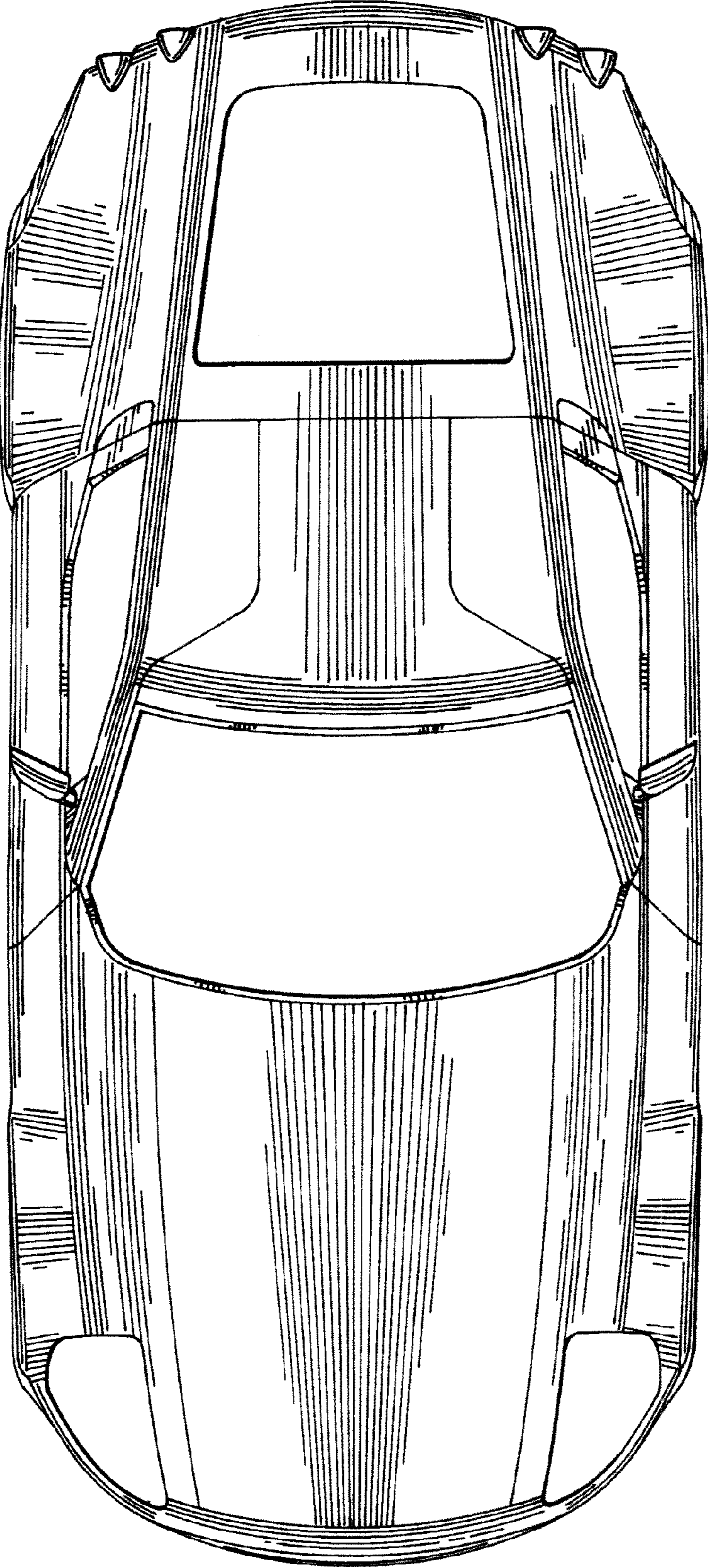


FIG. 3

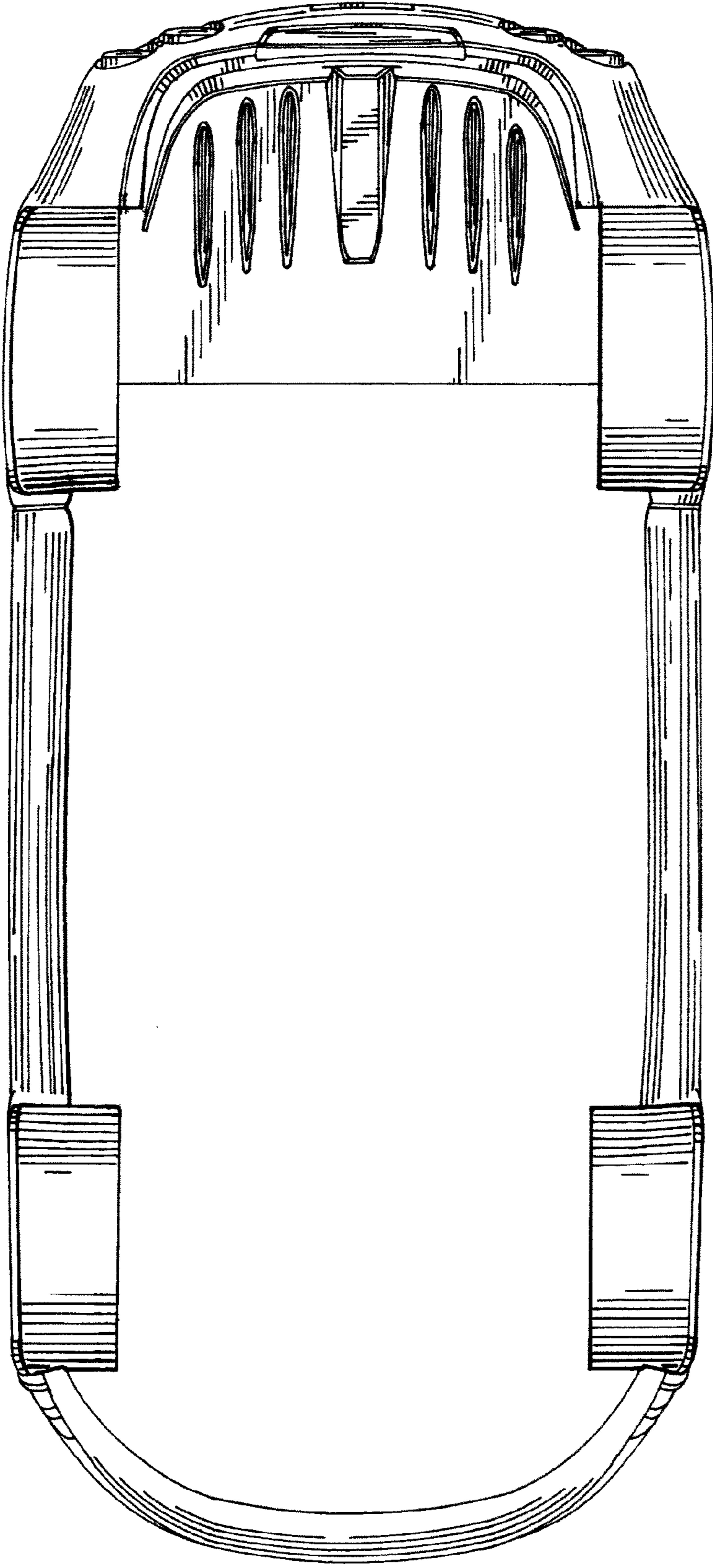


FIG. 4

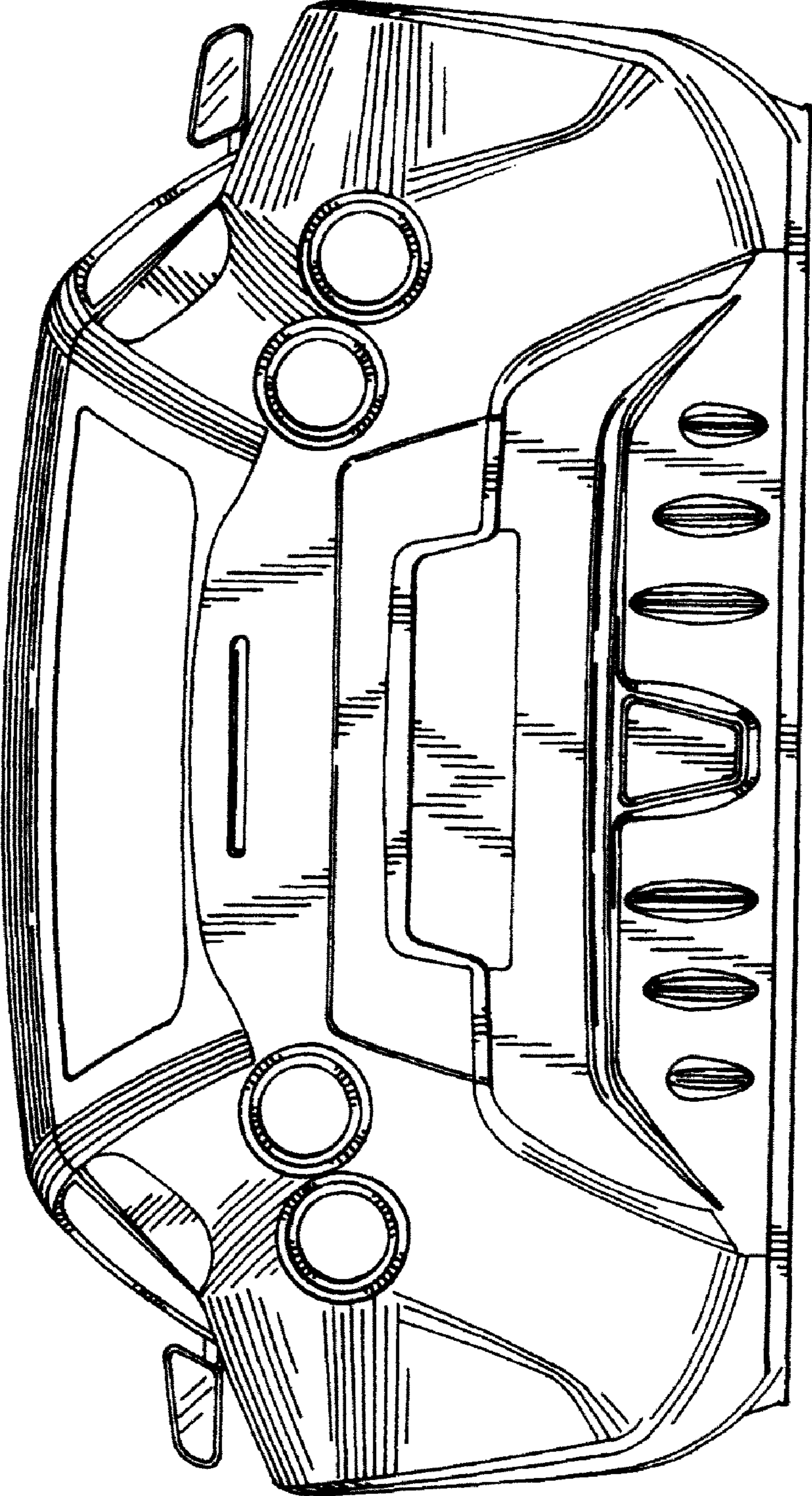


FIG. 5

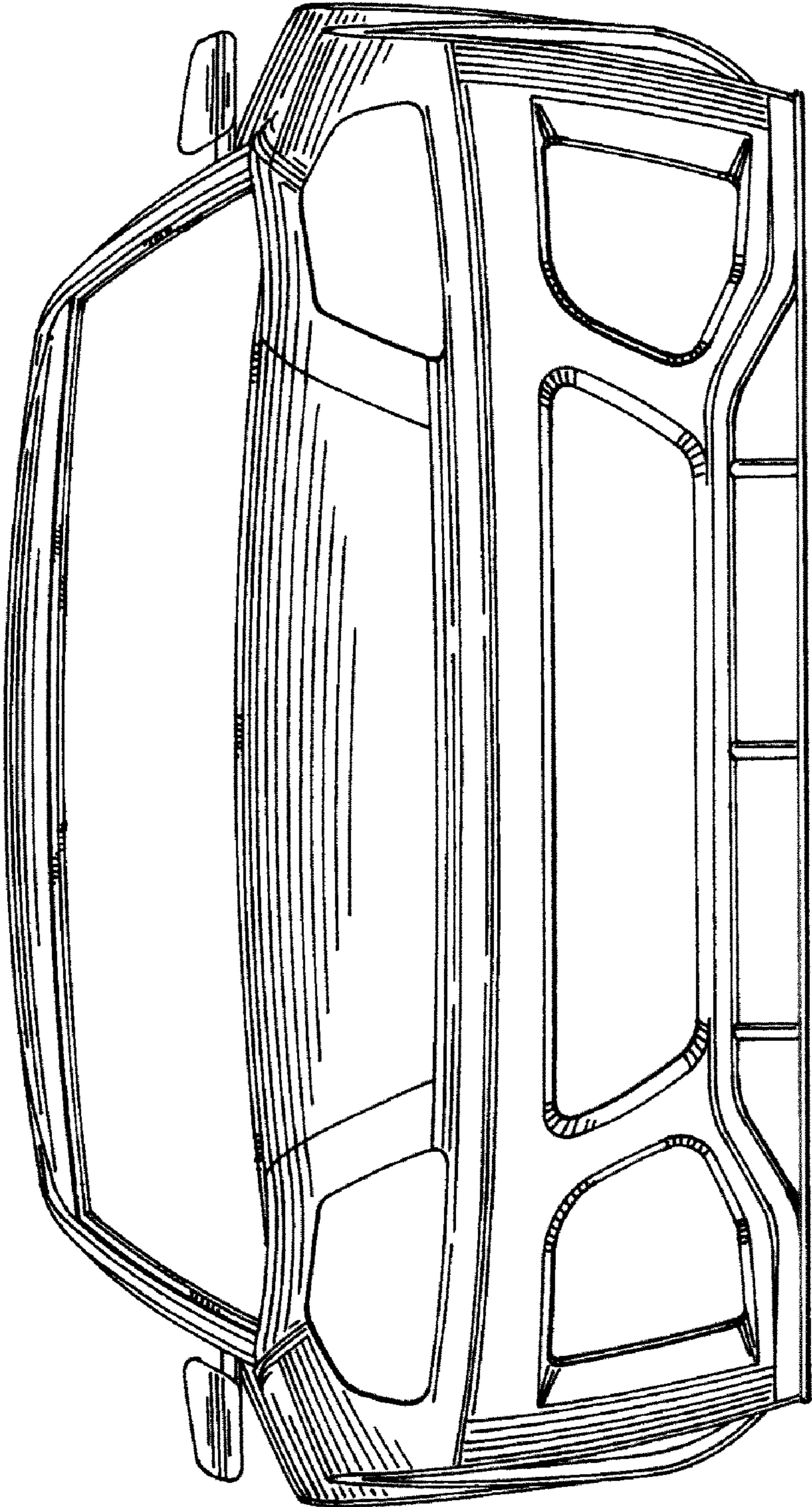


FIG. 6

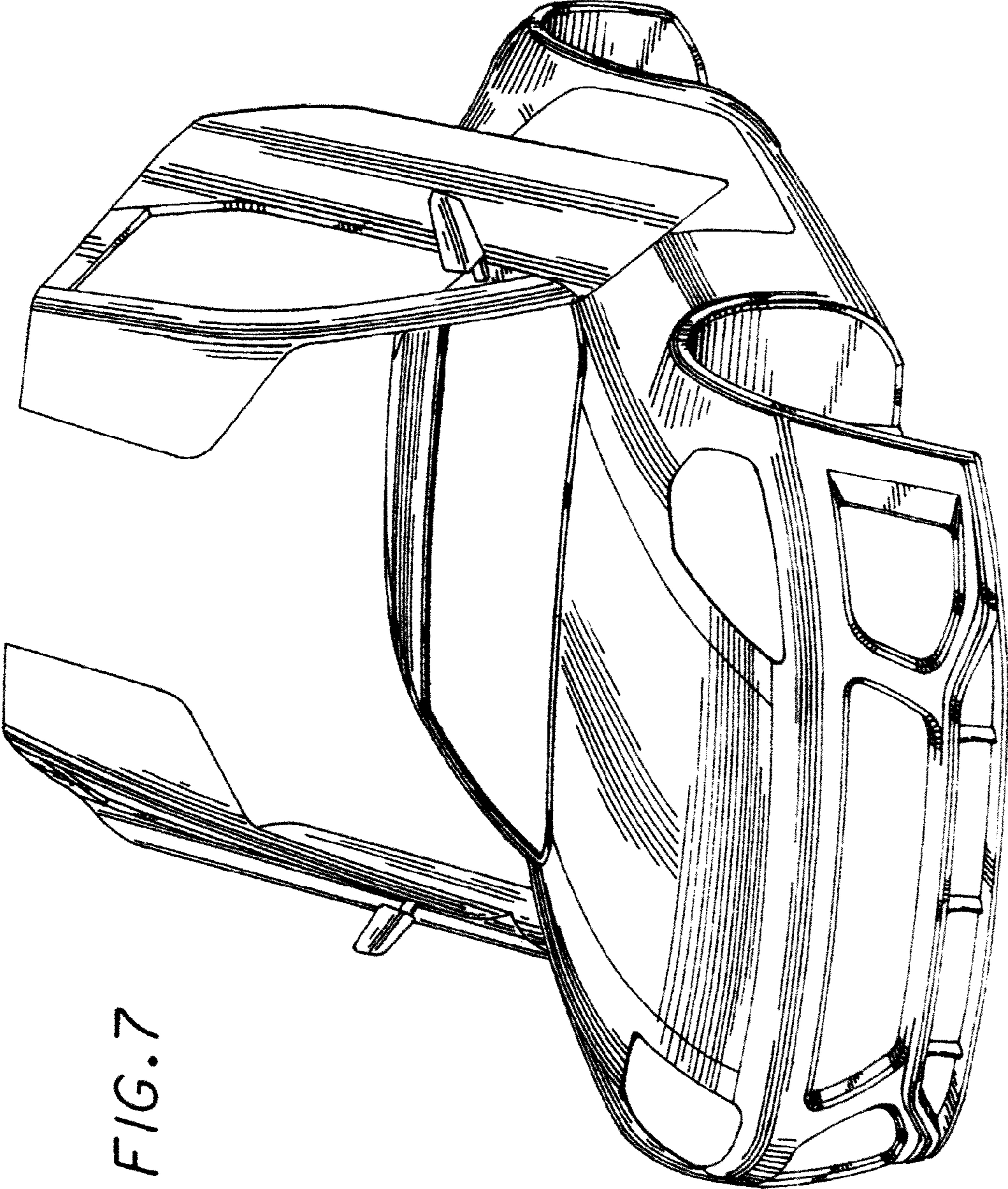


FIG. 7