



US00D637519S

(12) **United States Design Patent**
Coffman

(10) **Patent No.:** **US D637,519 S**

(45) **Date of Patent:** **** May 10, 2011**

(54) **NON-METALLIC BUCKLE**

(76) Inventor: **Phillip Coffman**, Murphy, TX (US)

(**) Term: **14 Years**

(21) Appl. No.: **29/372,399**

(22) Filed: **Nov. 16, 2010**

(51) **LOC (9) Cl.** **02-07**

(52) **U.S. Cl.** **D11/234**

(58) **Field of Classification Search** D11/200-237;
D2/625-629; 24/625, 650, 199-200, 170,
24/30.5 R, 318; 224/163

See application file for complete search history.

(56) **References Cited**

U.S. PATENT DOCUMENTS

2,342,304	A	2/1944	Schreiber	
2,346,949	A	4/1944	Sindler	
2,384,197	A	9/1945	Schreiber	
2,538,938	A	1/1951	Garay	
2,667,677	A	2/1954	Gans	
2,783,516	A	3/1957	Stein	
3,357,067	A	12/1967	Baues	
3,846,874	A	11/1974	Swierkot	
D259,152	S *	5/1981	Heuser	D11/230
4,912,828	A	4/1990	Chernuchin et al.	
5,046,197	A	9/1991	Chernuchin et al.	
5,269,050	A	12/1993	Yewer, Jr.	
D416,828	S *	11/1999	Hwang	D11/237

D480,989	S *	10/2003	Modolo	D11/234
D525,907	S *	8/2006	Mouquet	D11/234
7,082,622	B1	8/2006	Olander	
7,181,808	B1	2/2007	Van Winkle	
D543,488	S *	5/2007	Tobergte	D11/234
7,617,801	B2	11/2009	Wang	

* cited by examiner

Primary Examiner — T. Chase Nelson

Assistant Examiner — Mark Cavanna

(74) *Attorney, Agent, or Firm* — The Halvorson Law Firm

(57) **CLAIM**

The ornamental design for a non-metallic buckle, as shown and described.

DESCRIPTION

FIG. 1 is a perspective view of the non-metallic buckle with the tongue positioned on the buckle portion showing my new design;

FIG. 2 is a another perspective view with the tongue extended from the buckle portion thereof,

FIG. 3 is a cut-away view exploded view along line 3 seen in FIG. 2 thereof;

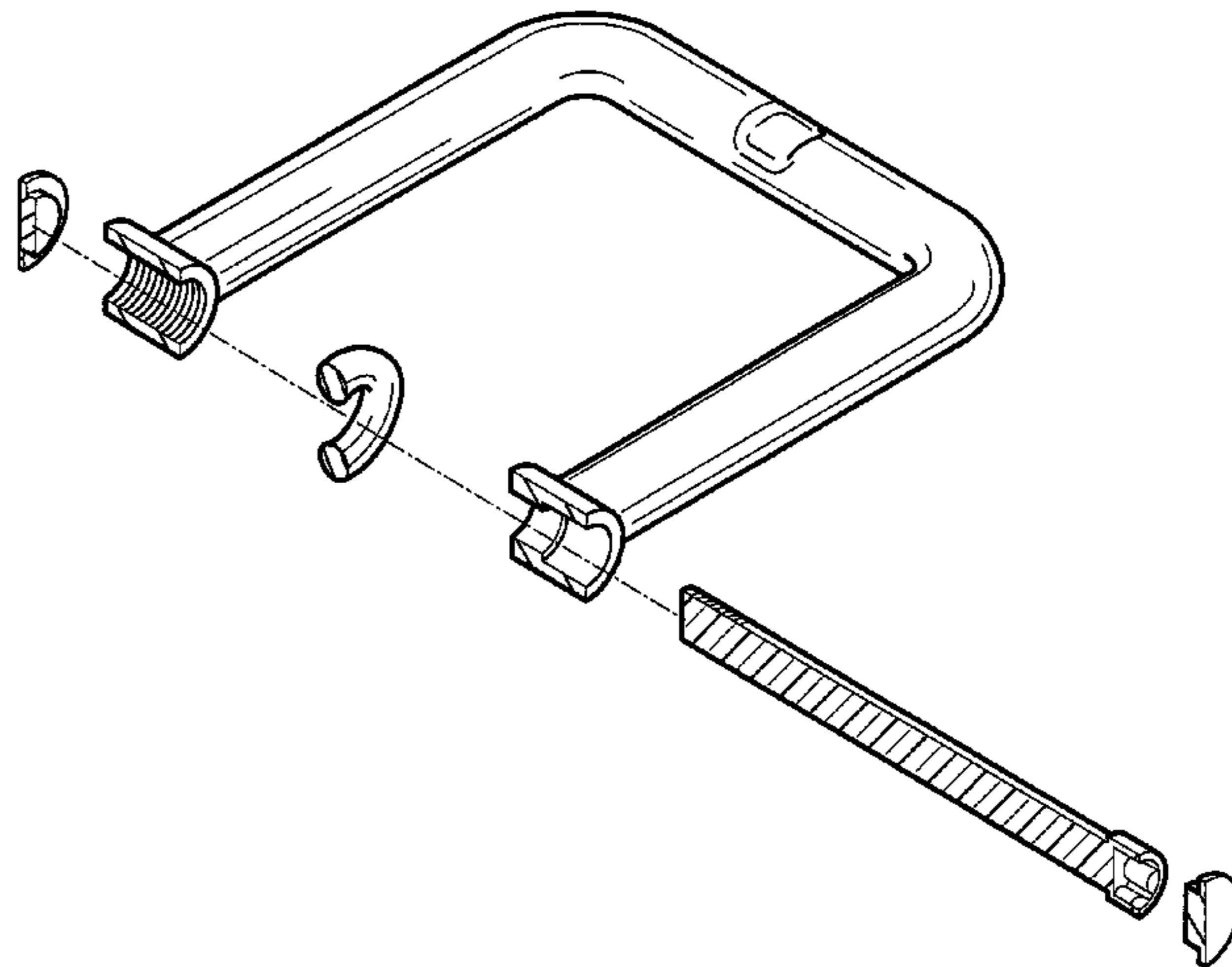
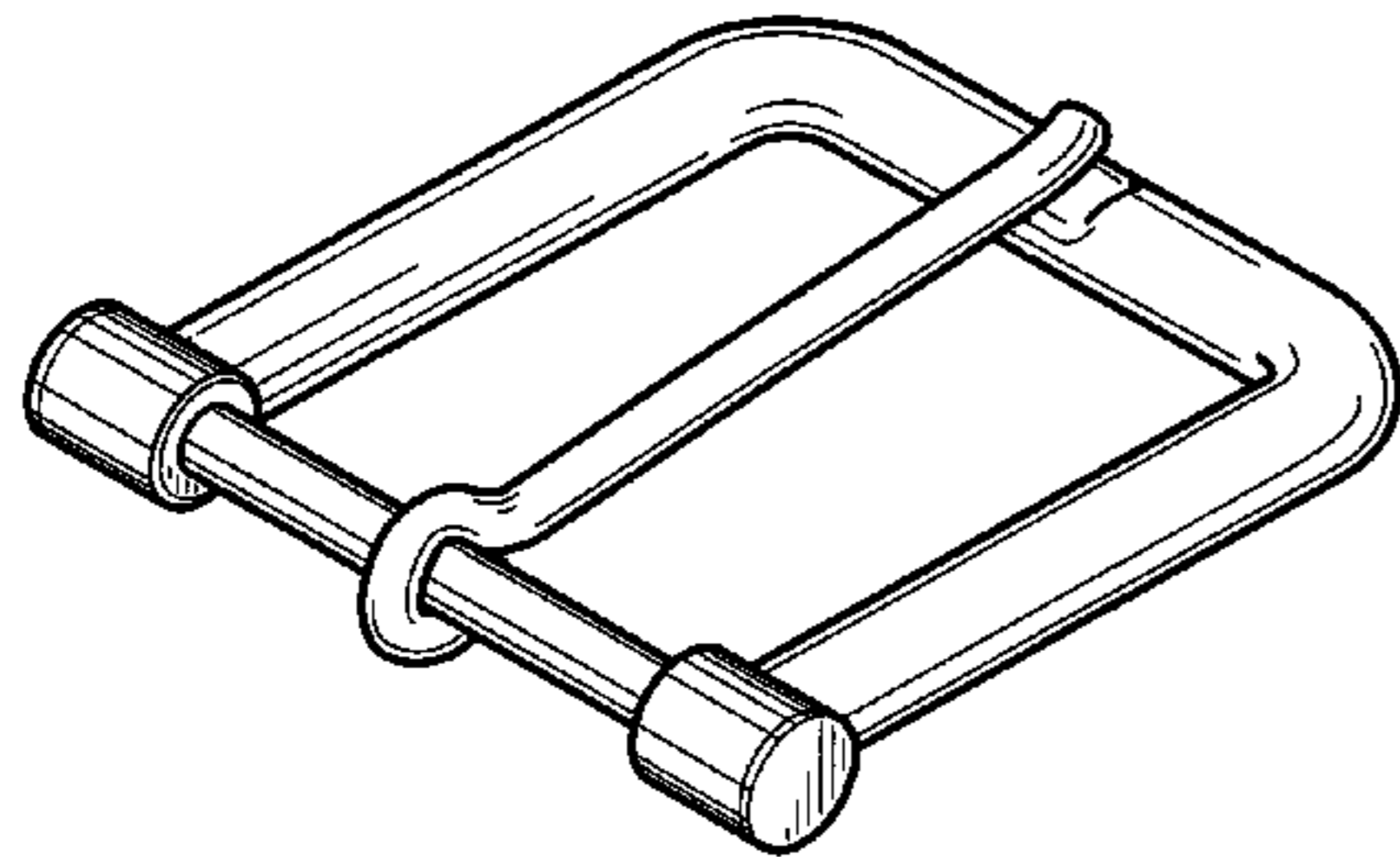
FIG. 4 is a bottom view thereof;

FIG. 5 is a top view thereof; and,

FIG. 6 is a side view thereof.

The broken lines in FIG. 3 depict the order of assembly of the exploded view and form no part of the claimed design.

1 Claim, 3 Drawing Sheets



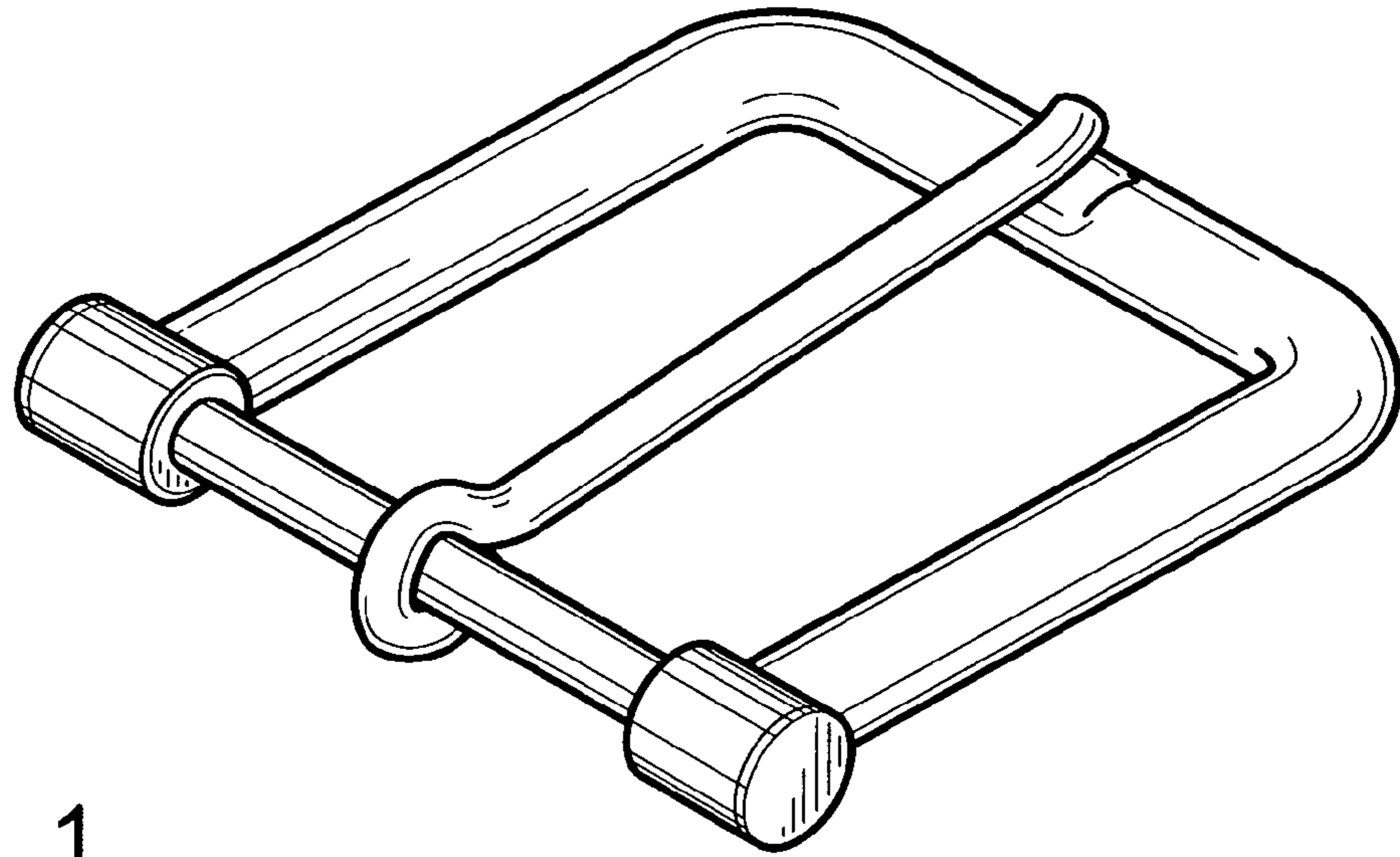


Fig. 1

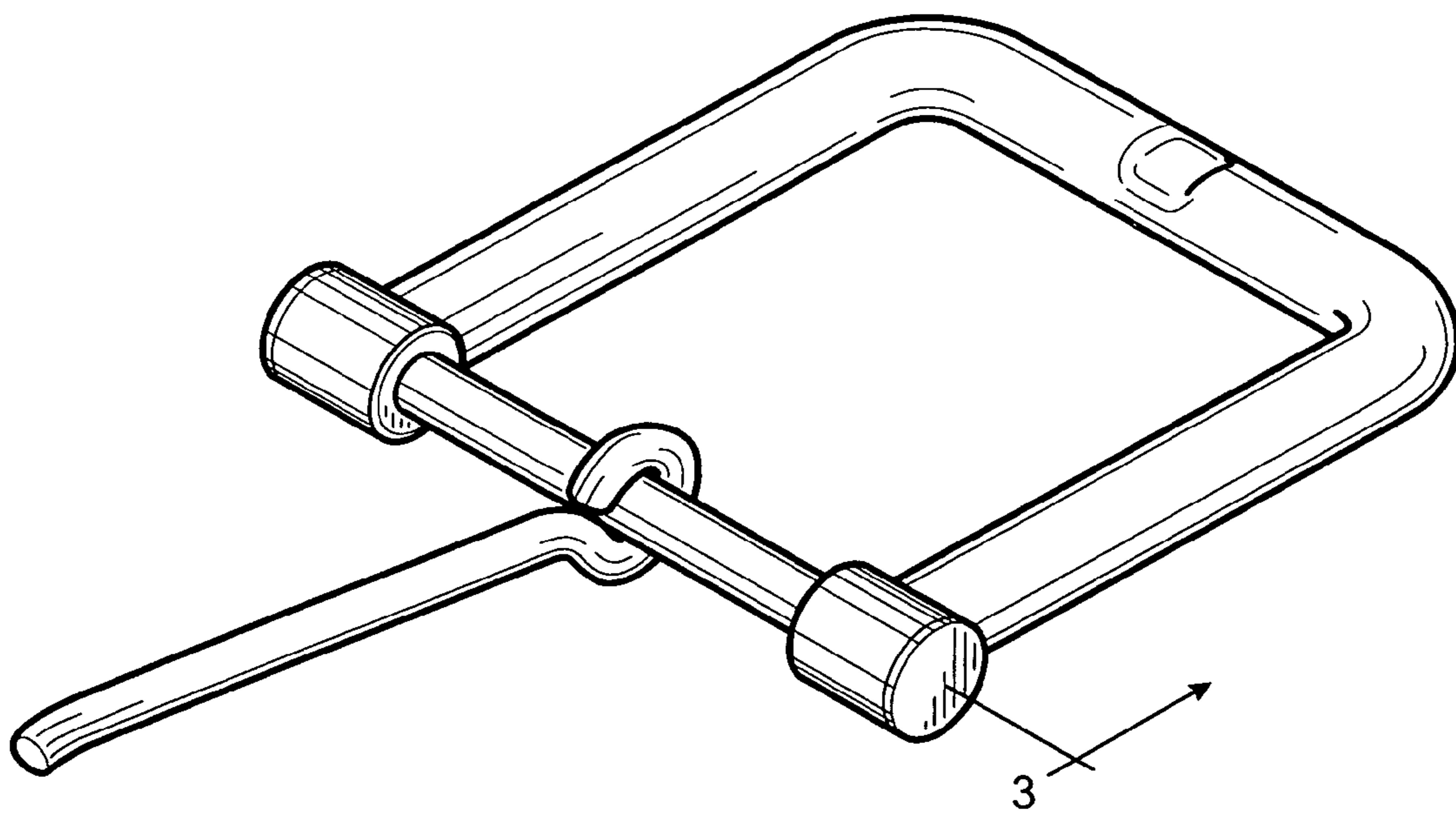


Fig. 2

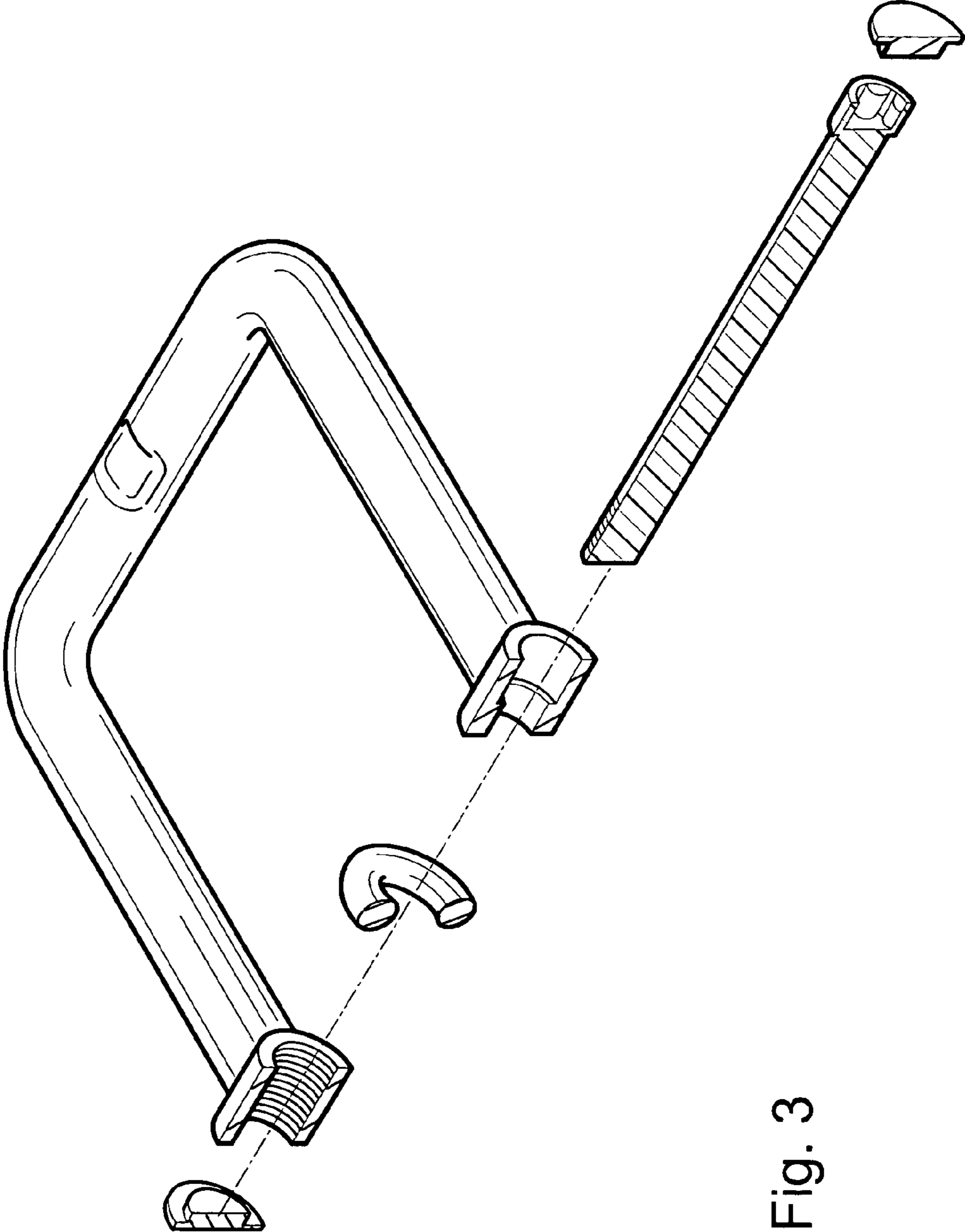


Fig. 3

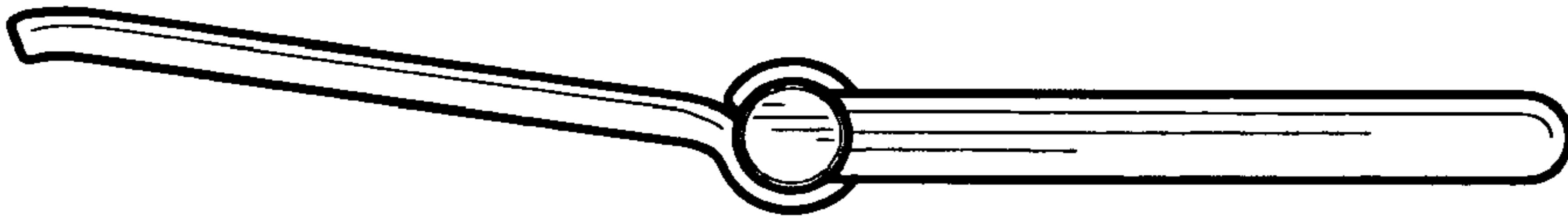


Fig. 6

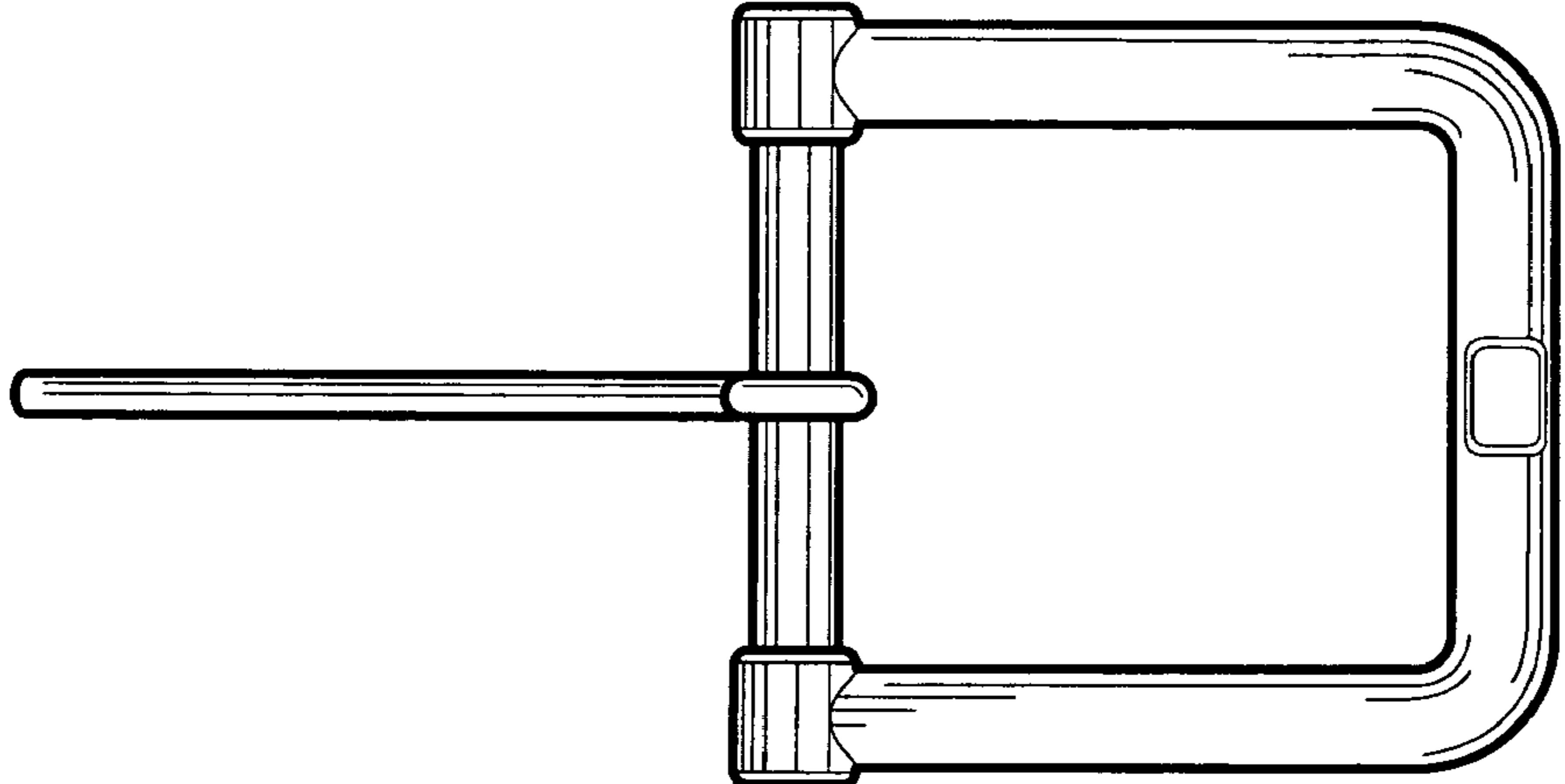


Fig. 5

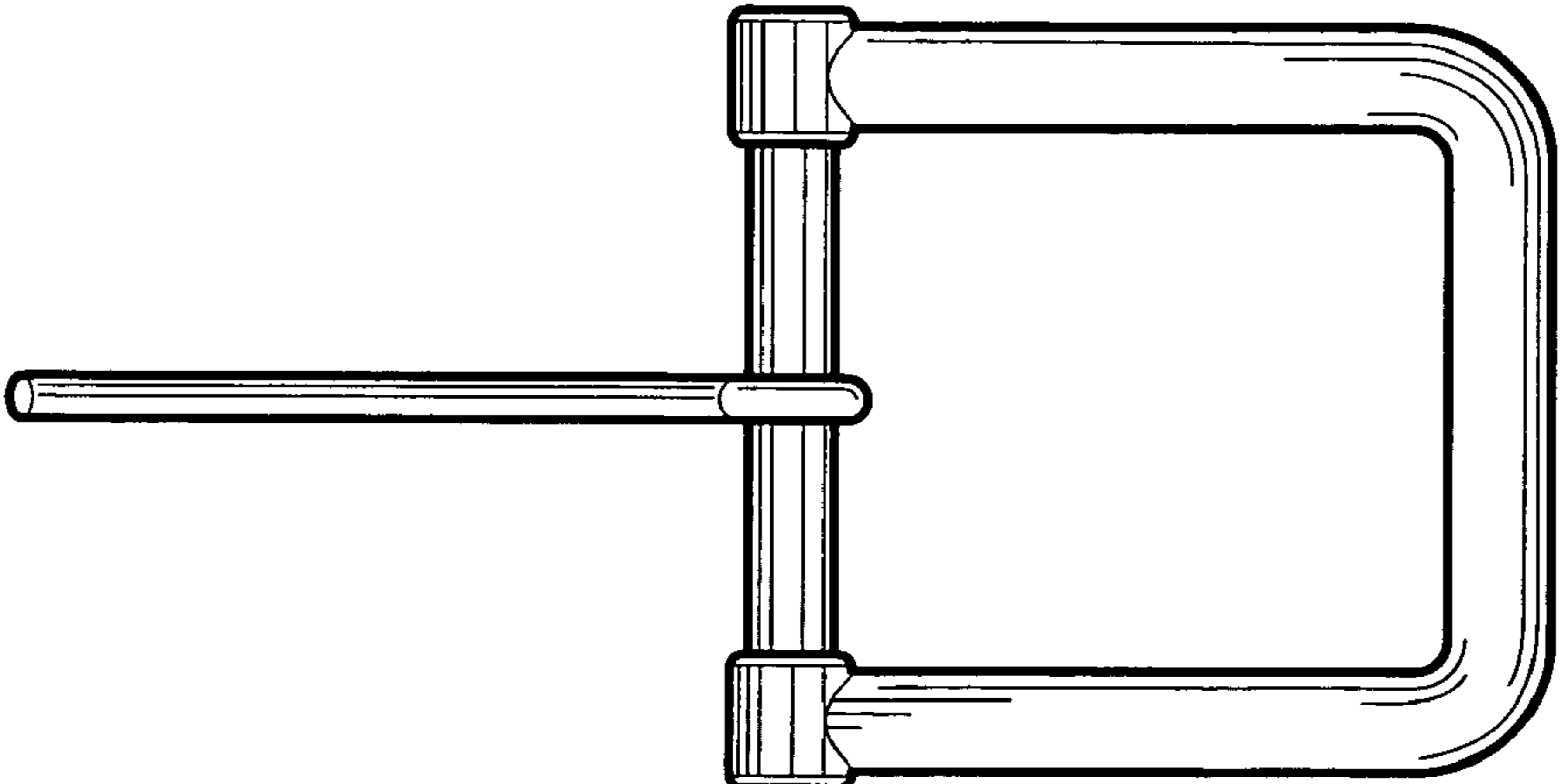


Fig. 4