



US00D637517S

(12) **United States Design Patent**  
**Reti**

(10) **Patent No.:** **US D637,517 S**

(45) **Date of Patent:** **\*\* May 10, 2011**

(54) **TENSION ARM AND CLIP**

(75) Inventor: **Alan Reti**, Calgary (CA)

(73) Assignee: **AR Fire Equipment Innovations Inc.**,  
Calgary (CA)

(\*\*) Term: **14 Years**

(21) Appl. No.: **29/363,398**

(22) Filed: **Jun. 9, 2010**

(51) **LOC (9) Cl.** ..... **02-07**

(52) **U.S. Cl.** ..... **D11/209**

(58) **Field of Classification Search** ..... D11/1-2,  
D11/200-201, 206-210, 214-218; 24/163 R,  
24/169-171, 173, 177-179, 191, 194-195,  
24/197, 200, 614-616, 625, 351  
See application file for complete search history.

(56) **References Cited**

**U.S. PATENT DOCUMENTS**

916,339	A *	3/1909	Lemerand	.....	132/275
D139,358	S *	11/1944	Beatty	.....	D11/215
D161,560	S *	1/1951	White	.....	D11/200
2,747,248	A *	5/1956	Mercer	.....	24/709.5
3,112,543	A *	12/1963	Derrickson	.....	24/200

3,153,827	A *	10/1964	Phillips et al.	.....	24/33 C
4,099,299	A *	7/1978	Bruggert et al.	.....	47/44
D354,457	S *	1/1995	McIntyre	.....	D11/216
D408,324	S *	4/1999	Boruszewski	.....	D11/202

\* cited by examiner

*Primary Examiner* — Ralf Seifert

(74) *Attorney, Agent, or Firm* — Macleod Dixon LLP

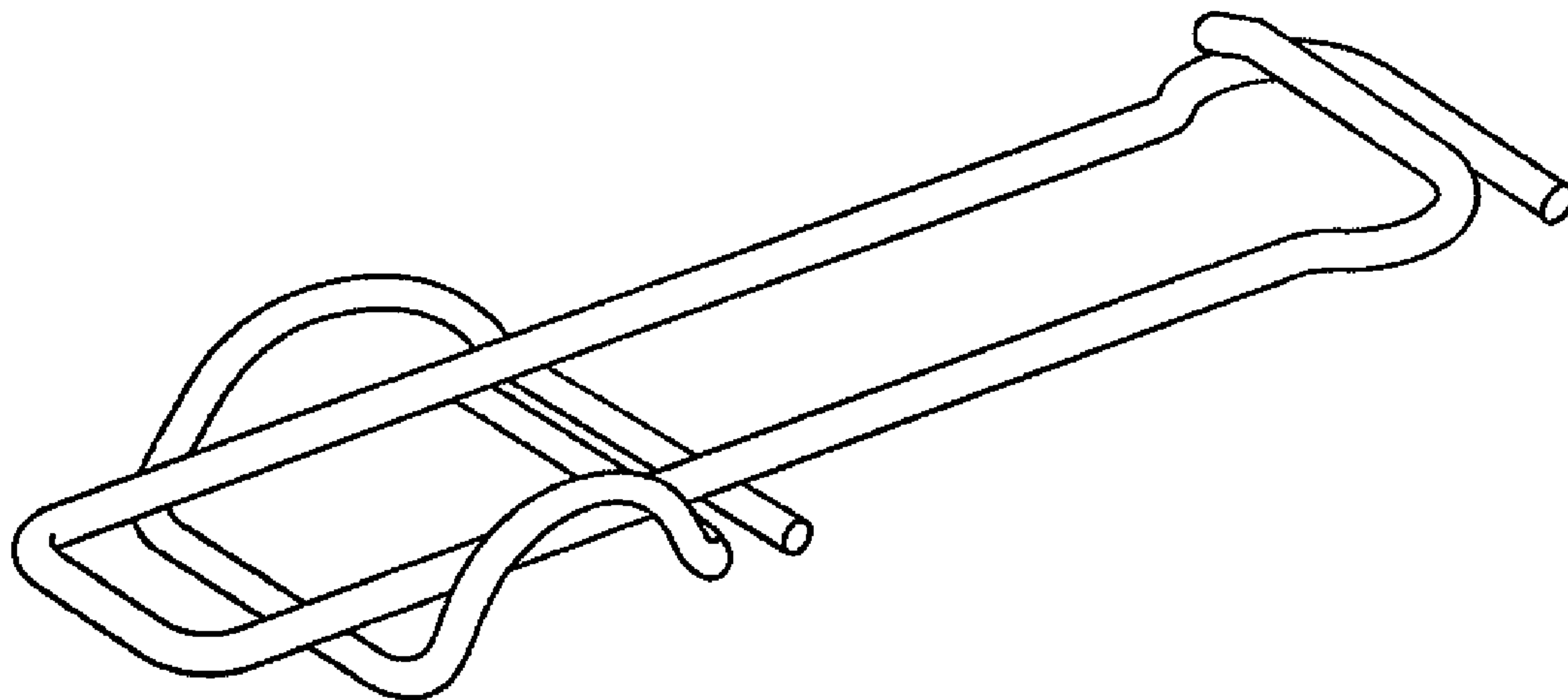
(57) **CLAIM**

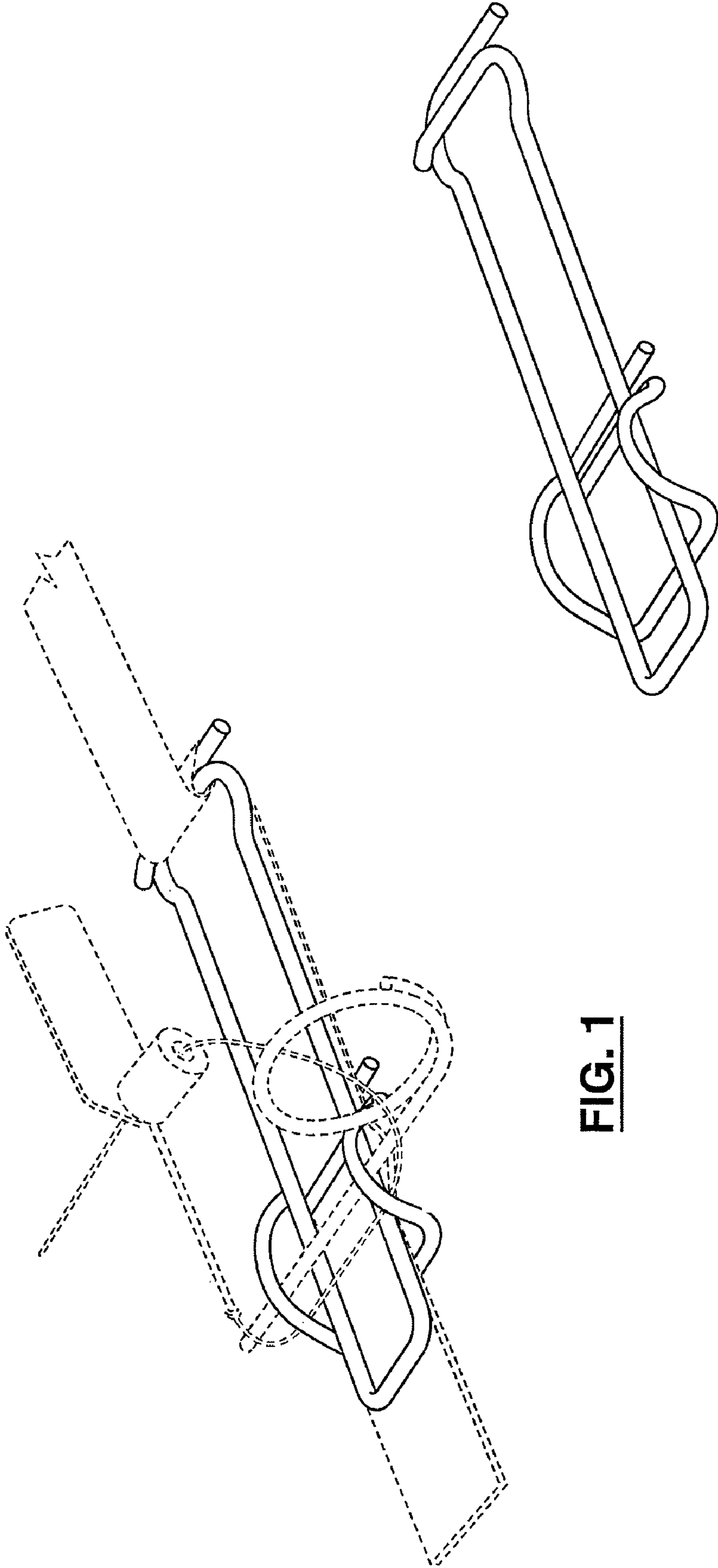
The ornamental design for the tension arm and clip, as shown in solid lines, in the drawings, and described.

**DESCRIPTION**

FIG. 1 is a front perspective view, with environment of the tension arm and clip;  
 FIG. 2 is a front perspective view of the tension arm and clip;  
 FIG. 3 is a front view of the tension arm and clip;  
 FIG. 4 is a left side view of the tension arm and clip;  
 FIG. 5 is a back view of the tension arm and clip;  
 FIG. 6 is a right side view of the tension arm and clip;  
 FIG. 7 is a bottom view of the tension arm and clip; and,  
 FIG. 8 is a top view of the tension arm and clip.  
 The portion shown in stippled lines does not form part of the design.

**1 Claim, 3 Drawing Sheets**





**FIG. 1**

**FIG. 2**

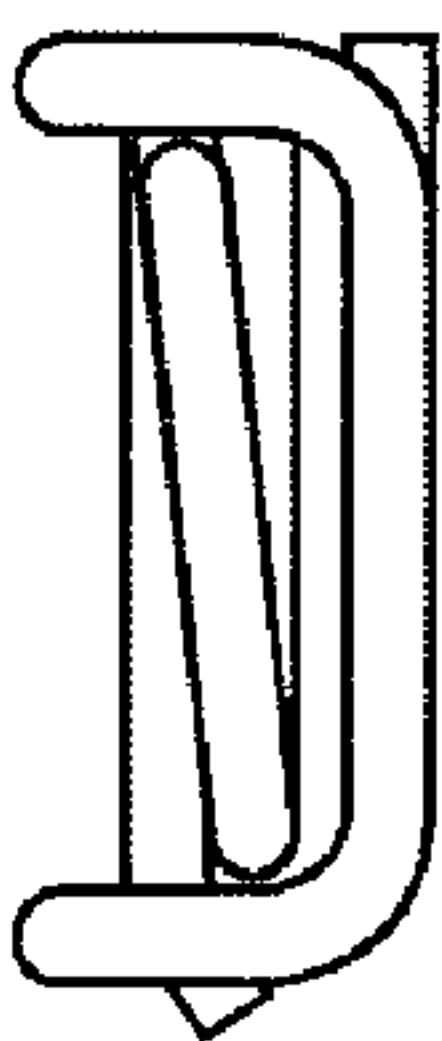


FIG. 3

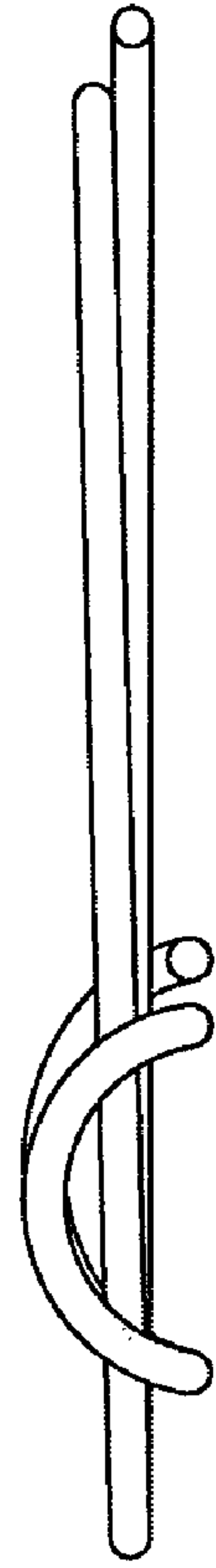


FIG. 4

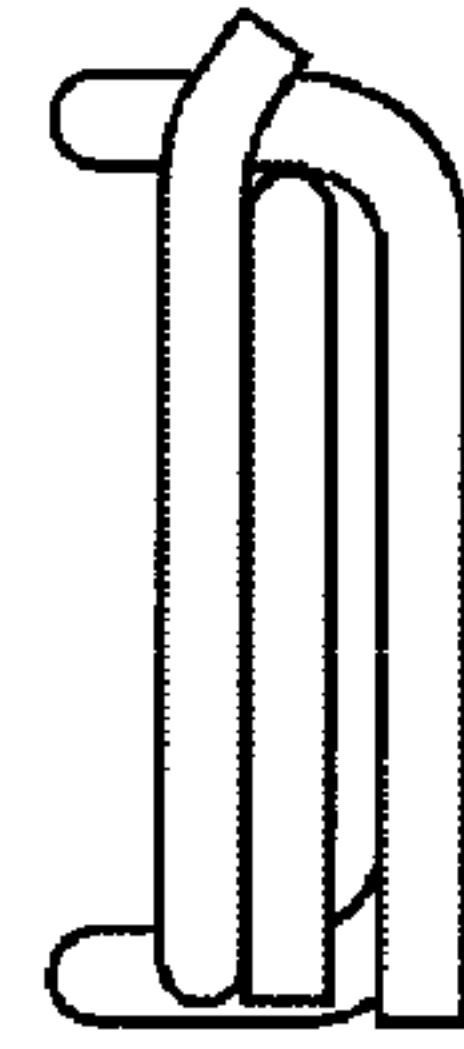


FIG. 5

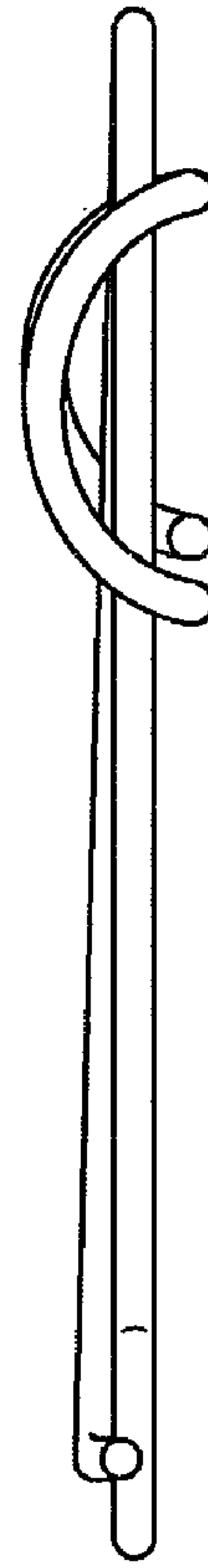


FIG. 6

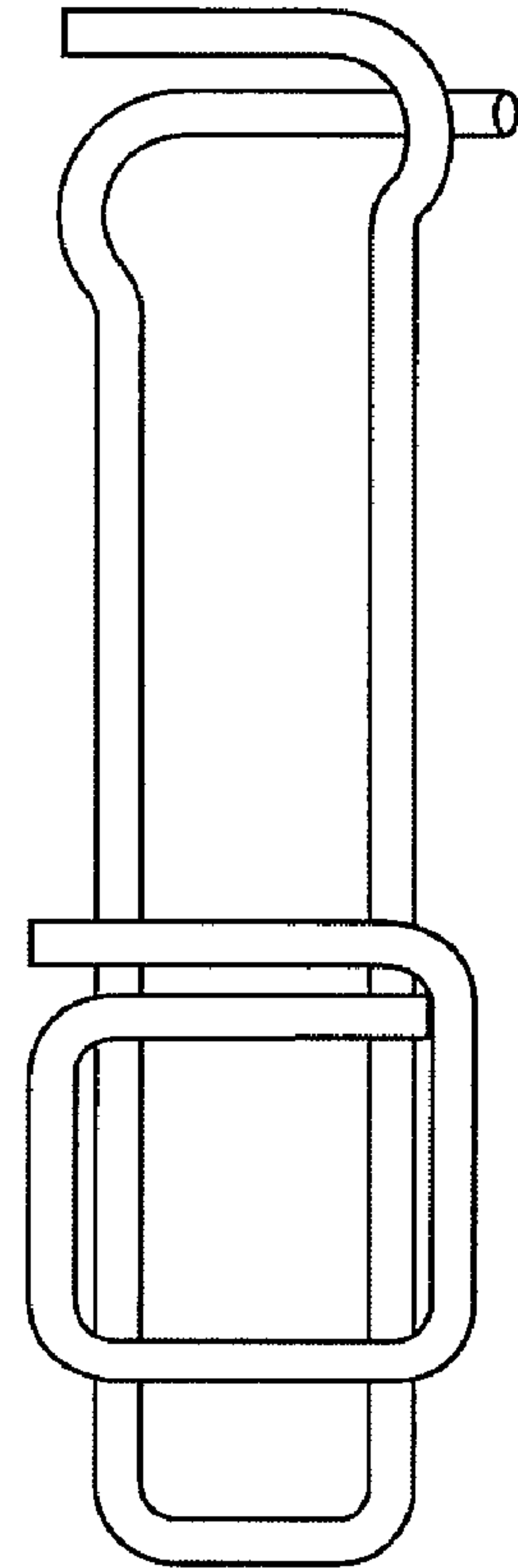


FIG. 7

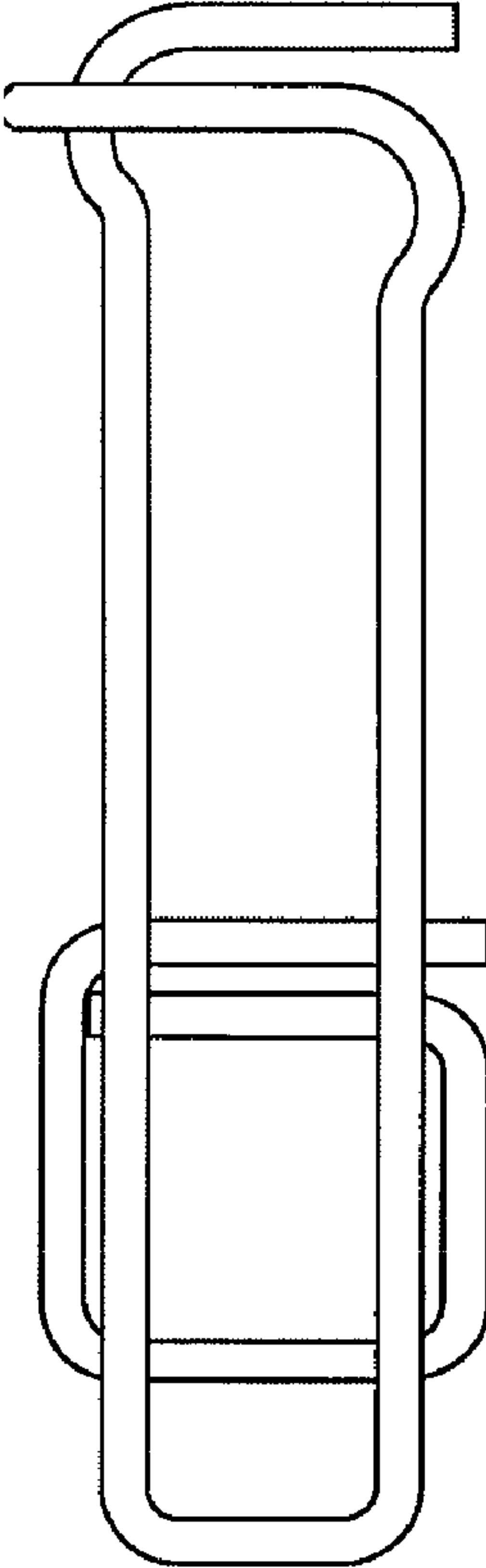


FIG. 8