



US00D637509S

(12) **United States Design Patent**  
**Shin**

(10) **Patent No.:** **US D637,509 S**

(45) **Date of Patent:** **\*\* \*May 10, 2011**

(54) **LOW PROFILE LIGHT BAR FOR EMERGENCY VEHICLES**

(76) Inventor: **David D Shin**, Paramount, CA (US)

(\*) Notice: This patent is subject to a terminal disclaimer.

(\*\*) Term: **14 Years**

(21) Appl. No.: **29/345,676**

(22) Filed: **Oct. 20, 2009**

(51) **LOC (9) Cl.** ..... **10-05**

(52) **U.S. Cl.** ..... **D10/114.4**

(58) **Field of Classification Search** ..... D10/109,  
D10/111, 114; D26/29-31, 60; 362/311,  
362/373, 35, 183, 200, 196, 191, 460-463,  
362/465

See application file for complete search history.

(56) **References Cited**

U.S. PATENT DOCUMENTS

2,814,029	A	11/1957	McRea	
3,278,741	A	10/1966	Wood	
D249,250	S	9/1978	Peirisj, Jr.	
4,357,595	A	11/1982	Gosswiller	
D274,001	S	5/1984	Sailers	
4,620,268	A	10/1986	Ferenc	
4,937,711	A	6/1990	Shuen	
4,956,753	A	9/1990	Renfrew	
D324,921	S	3/1992	Stanuch et al.	
D345,316	S *	3/1994	Green et al.	D10/114
D355,142	S	2/1995	Wagner	
5,452,188	A *	9/1995	Green et al.	362/493
D400,675	S	11/1998	Sopko	
D410,402	S *	6/1999	Stein et al.	D10/114
D419,249	S	1/2000	Ford et al.	
D432,038	S *	10/2000	Sasaki et al.	D10/114
D432,444	S *	10/2000	Sasaki et al.	D10/114
D442,106	S	5/2001	Stein et al.	
6,461,008	B1	10/2002	Pederson	
D469,711	S *	2/2003	Neufeglise et al.	D10/114
D476,253	S *	6/2003	Stein et al.	D10/114
6,590,502	B1	7/2003	Pederson	

6,623,151	B2	9/2003	Pederson	
D491,482	S *	6/2004	Chiang	D10/114
6,788,217	B2	9/2004	Pederson	
6,789,930	B2	9/2004	Pederson	
6,814,459	B2	11/2004	Pederson	
6,822,578	B2	11/2004	Pederson	
D499,976	S *	12/2004	Neufeglise et al.	D10/114
7,033,036	B2	4/2006	Pederson	
D545,230	S *	6/2007	Jalala	D10/114
7,394,398	B2	7/2008	Pederson	
D585,318	S *	1/2009	Jalala	D10/114
2007/0216523	A1 *	9/2007	Bader et al.	340/468
2008/0080164	A1 *	4/2008	Mastin	362/35

\* cited by examiner

*Primary Examiner* — Caron D Veynar

*Assistant Examiner* — George D Kirschbaum

(74) *Attorney, Agent, or Firm* — Kirk A. Buhler; Buhler & Associates

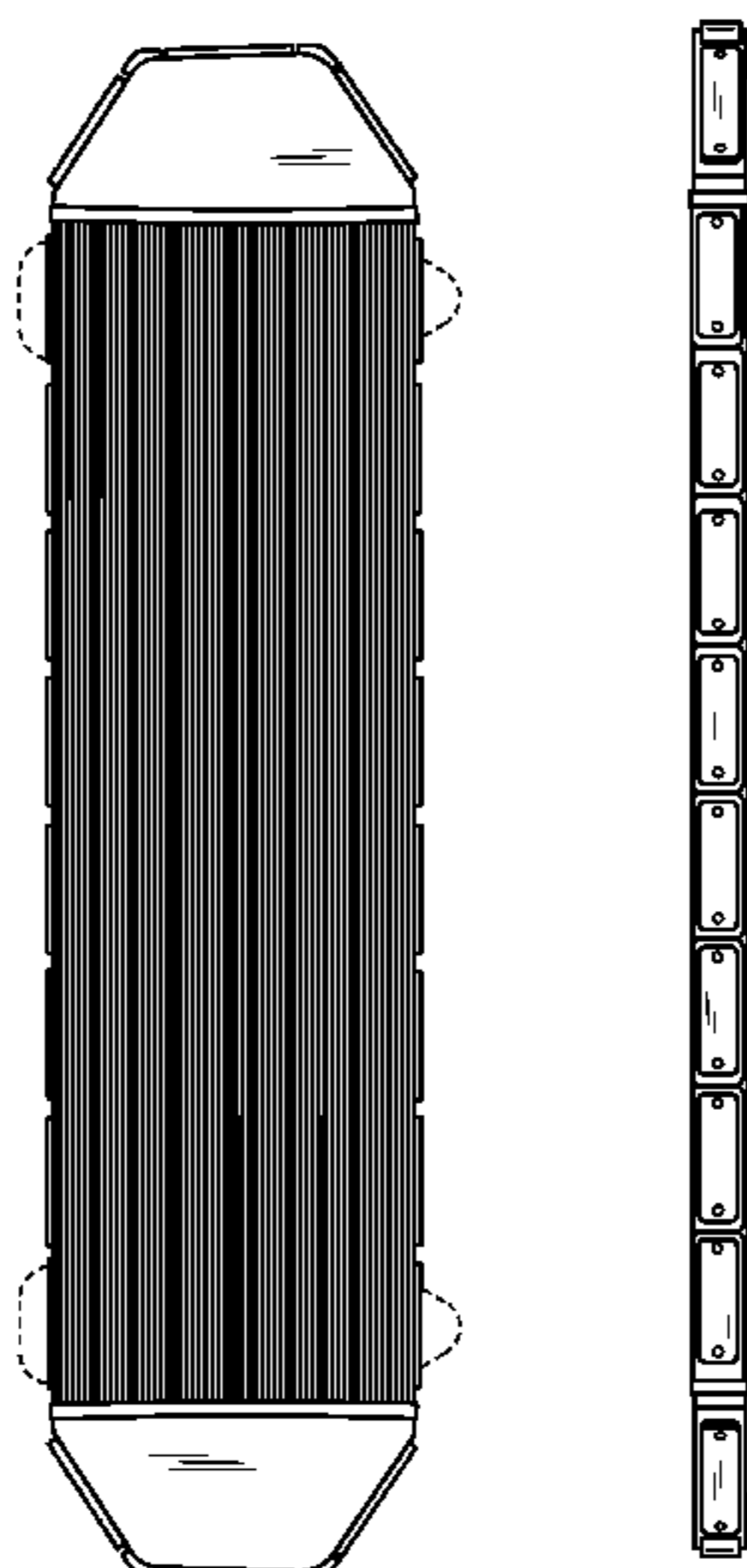
(57) **CLAIM**

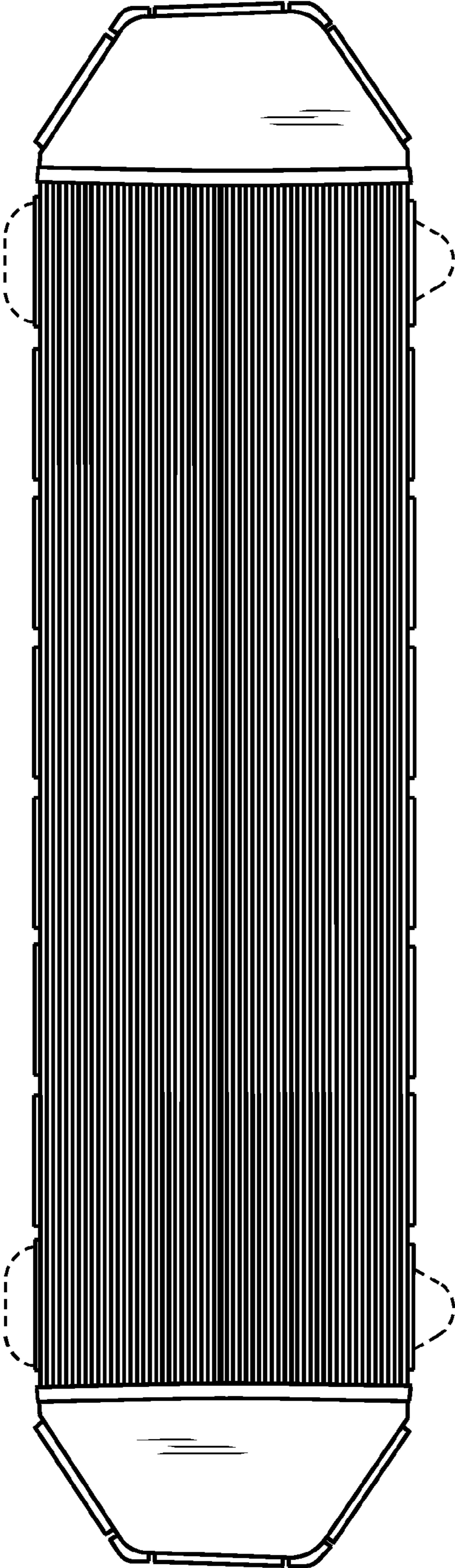
The ornamental design of a low profile light bar for emergency vehicles, invention as shown and described.

**DESCRIPTION**

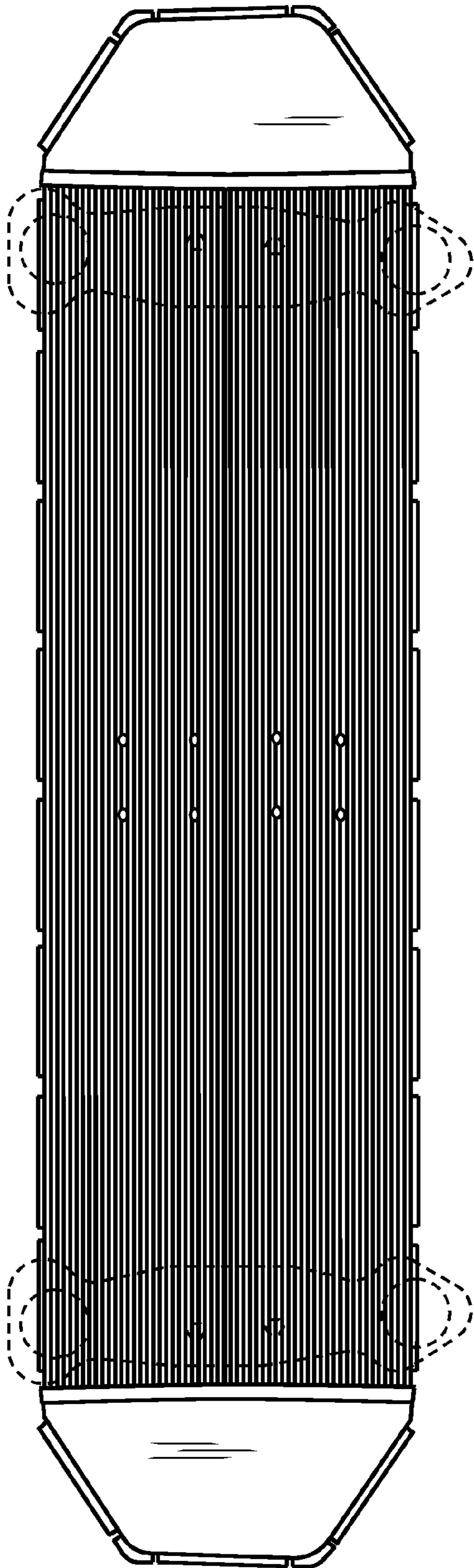
FIG. 1 is a top view for a low profile light bar for emergency vehicles showing my new design;  
 FIG. 2 is a bottom view thereof;  
 FIG. 3 is a front view thereof;  
 FIG. 4 is a back view thereof;  
 FIG. 5 is a left view thereof;  
 FIG. 6 is a right view thereof;  
 FIG. 7 is an isometric view thereof; and,  
 FIG. 8 is a view of the low profile light bar for emergency vehicles mounted on the roof of vehicle.  
 The broken lines in FIG. 1, FIG. 2 and FIG. 7 depict environmental subject matter of mounting hardware for the invention and form no part of the claimed design  
 The broken lines in FIG. 8 depict environmental subject matter of mounting hardware for the invention on a vehicle only and form no part of the claimed design

**1 Claim, 5 Drawing Sheets**

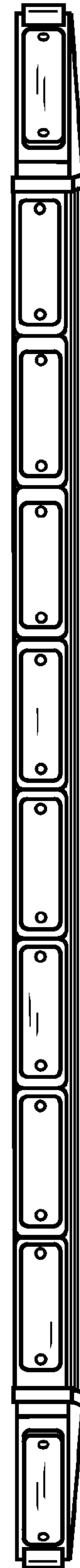




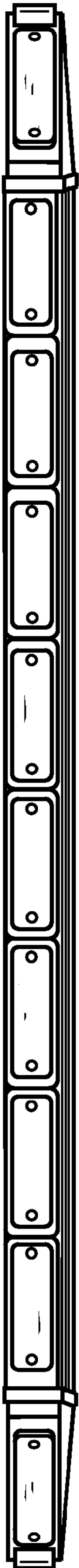
**FIG. 1**



**FIG. 2**



**FIG. 3**



**FIG. 4**

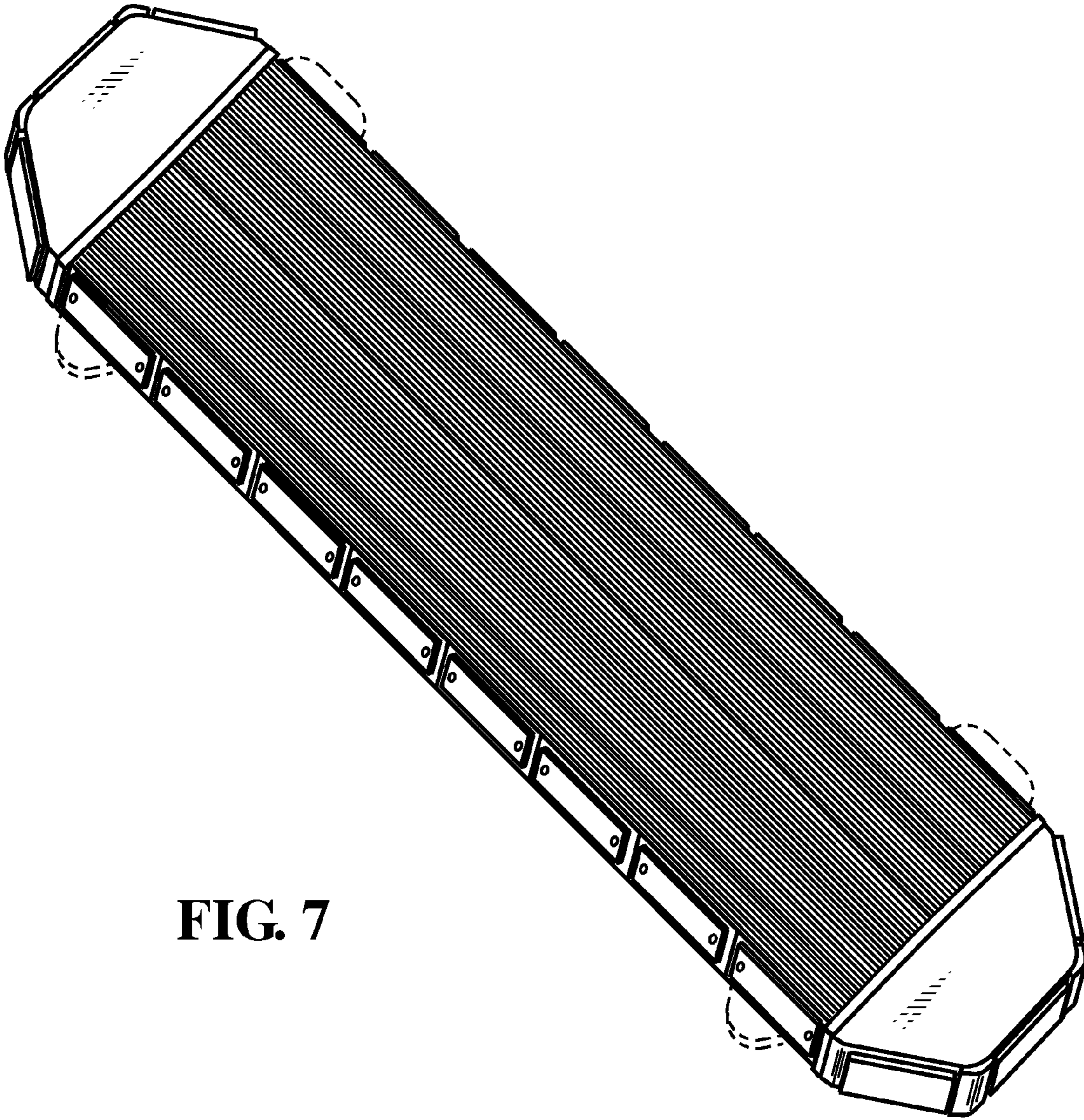


**FIG. 5**



**FIG. 6**





**FIG. 7**

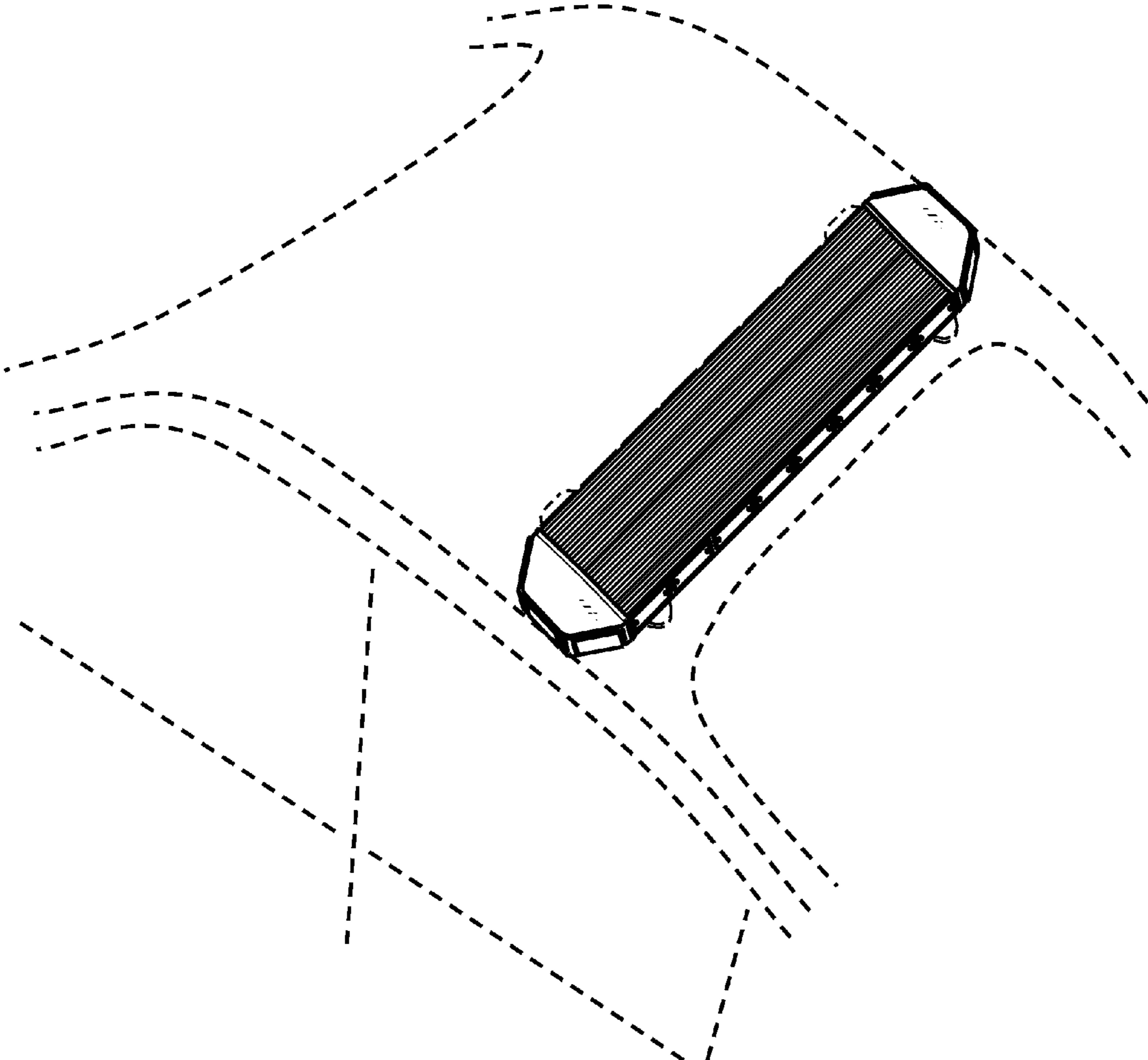


FIG. 8