



US00D637508S

(12) **United States Design Patent**  
**Ueda et al.**

(10) **Patent No.:** **US D637,508 S**  
(45) **Date of Patent:** **\*\* May 10, 2011**

(54) **MEASURING INSTRUMENT FOR BICYCLE**

(75) Inventors: **Takashi Ueda**, Osaka (JP); **Toshiyuki Nagano**, Osaka (JP); **Yoji Okuda**, Osaka (JP)

(73) Assignee: **Cateye Co., Ltd.**, Osaka (JP)

(\*\*) Term: **14 Years**

(21) Appl. No.: **29/348,956**

(22) Filed: **Feb. 23, 2010**

(30) **Foreign Application Priority Data**

Sep. 10, 2009 (JP) ..... 2009-020887

Sep. 10, 2009 (JP) ..... 2009-020888

(51) **LOC (9) Cl.** ..... **10-04**

(52) **U.S. Cl.** ..... **D10/98**

(58) **Field of Classification Search** ..... D10/98;

73/490, 493, 514.39, 527; 235/95 R; 324/160-180, 324/207.13, 207.22, 207.25; 340/432; 702/145-148

See application file for complete search history.

(56) **References Cited**

U.S. PATENT DOCUMENTS

D296,770 S 7/1988 Lloyd  
D450,006 S 11/2001 Nagano et al.  
D554,014 S 10/2007 Ueda  
D611,858 S \* 3/2010 Nagano ..... D10/98

FOREIGN PATENT DOCUMENTS

JP D1169293 3/2003  
TW D116668 5/2007

\* cited by examiner

*Primary Examiner* — Antoine D. Davis

(74) *Attorney, Agent, or Firm* — Olson & Cepuritis, Ltd.

(57) **CLAIM**

The ornamental design for a measuring instrument for bicycle, as shown.

**DESCRIPTION**

FIG. 1 is a perspective view of a measuring instrument for bicycle of a first embodiment showing our new design:

FIG. 2 is a front view thereof;

FIG. 3 is a rear view thereof;

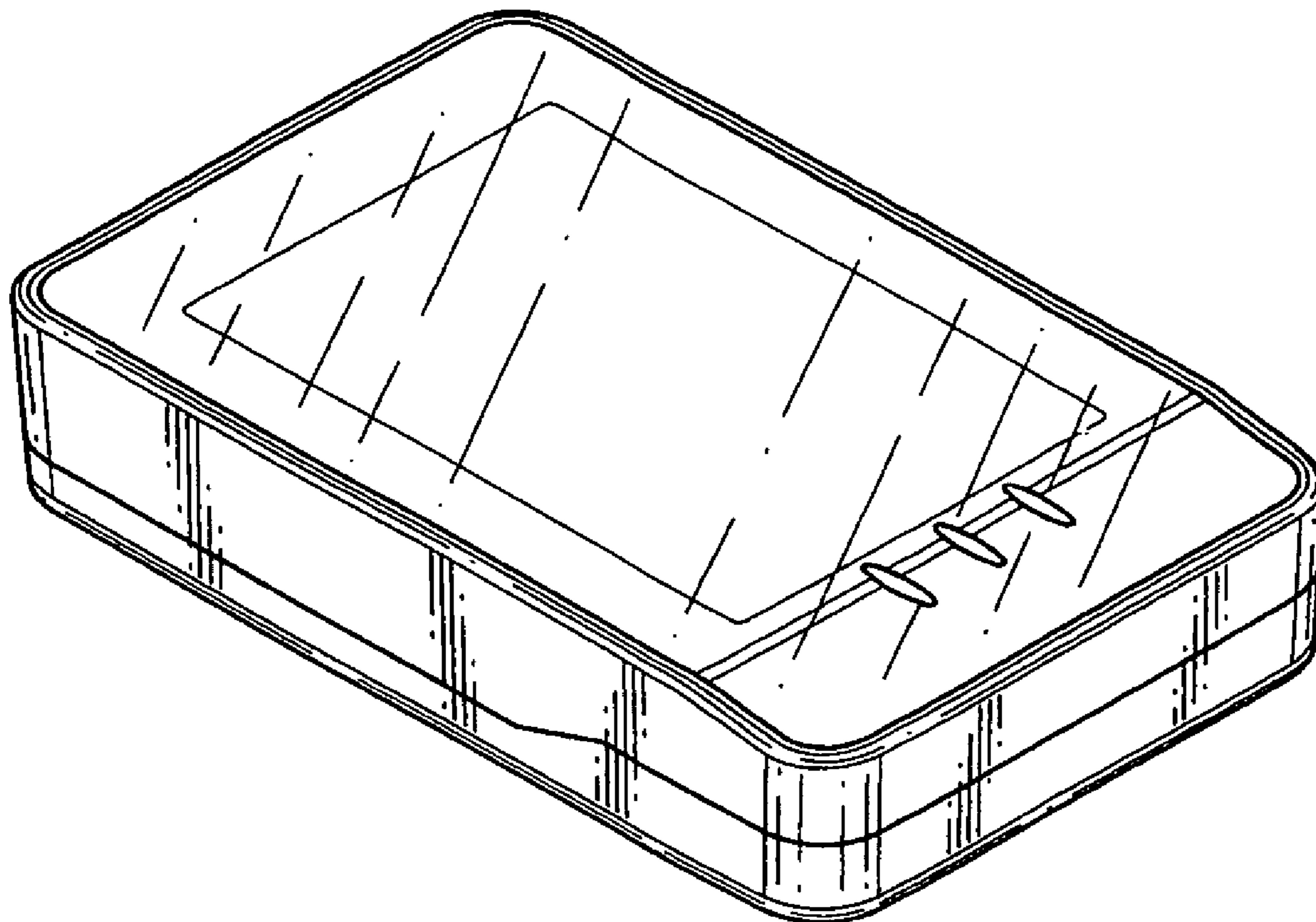
FIG. 4 is a top plan view thereof;

FIG. 5 is a bottom plan view thereof;

FIG. 6 is a right side view thereof; and,

FIG. 7 is a left side view thereof.

**1 Claim, 5 Drawing Sheets**



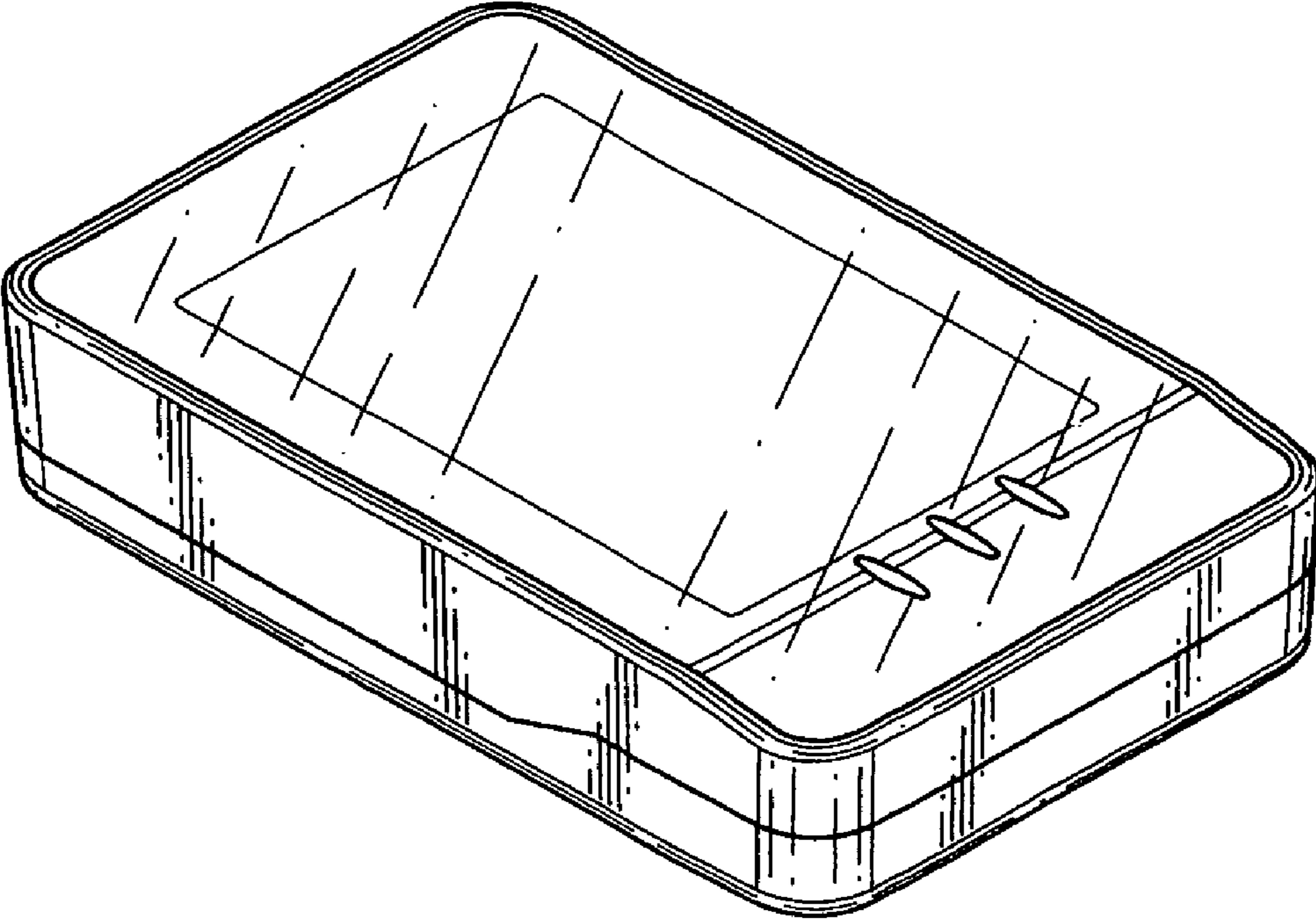


Fig. 1

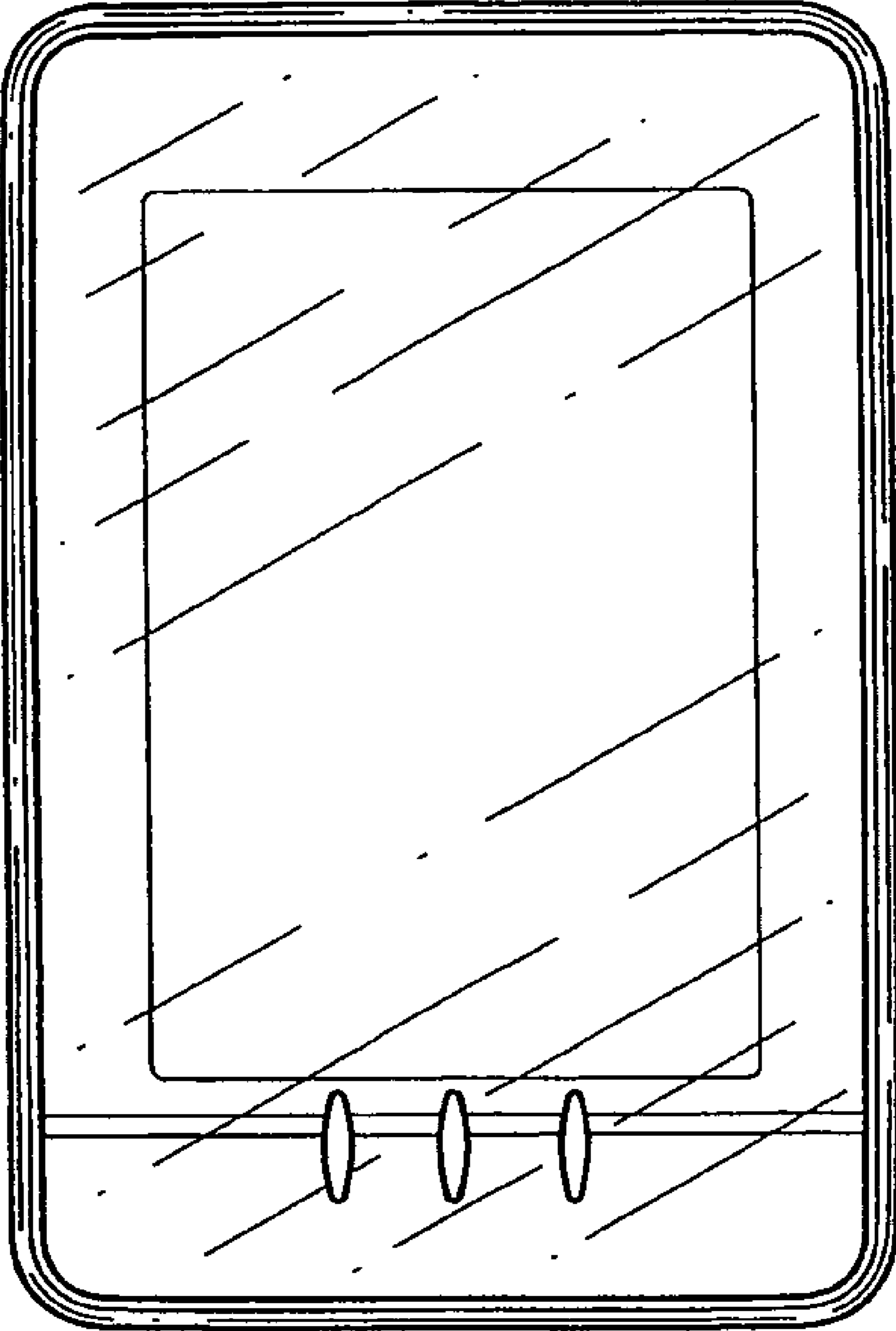


Fig. 2

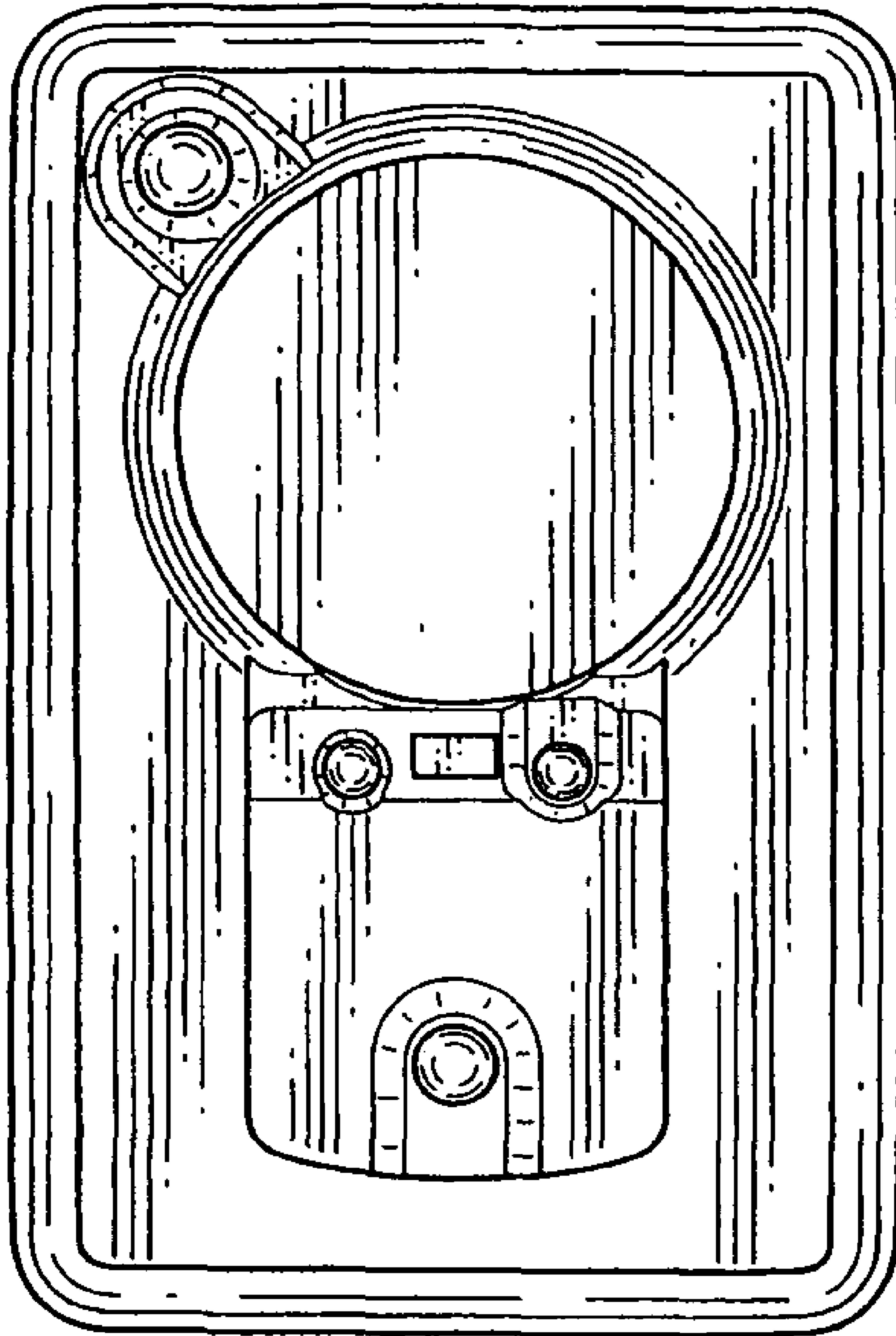


Fig. 3

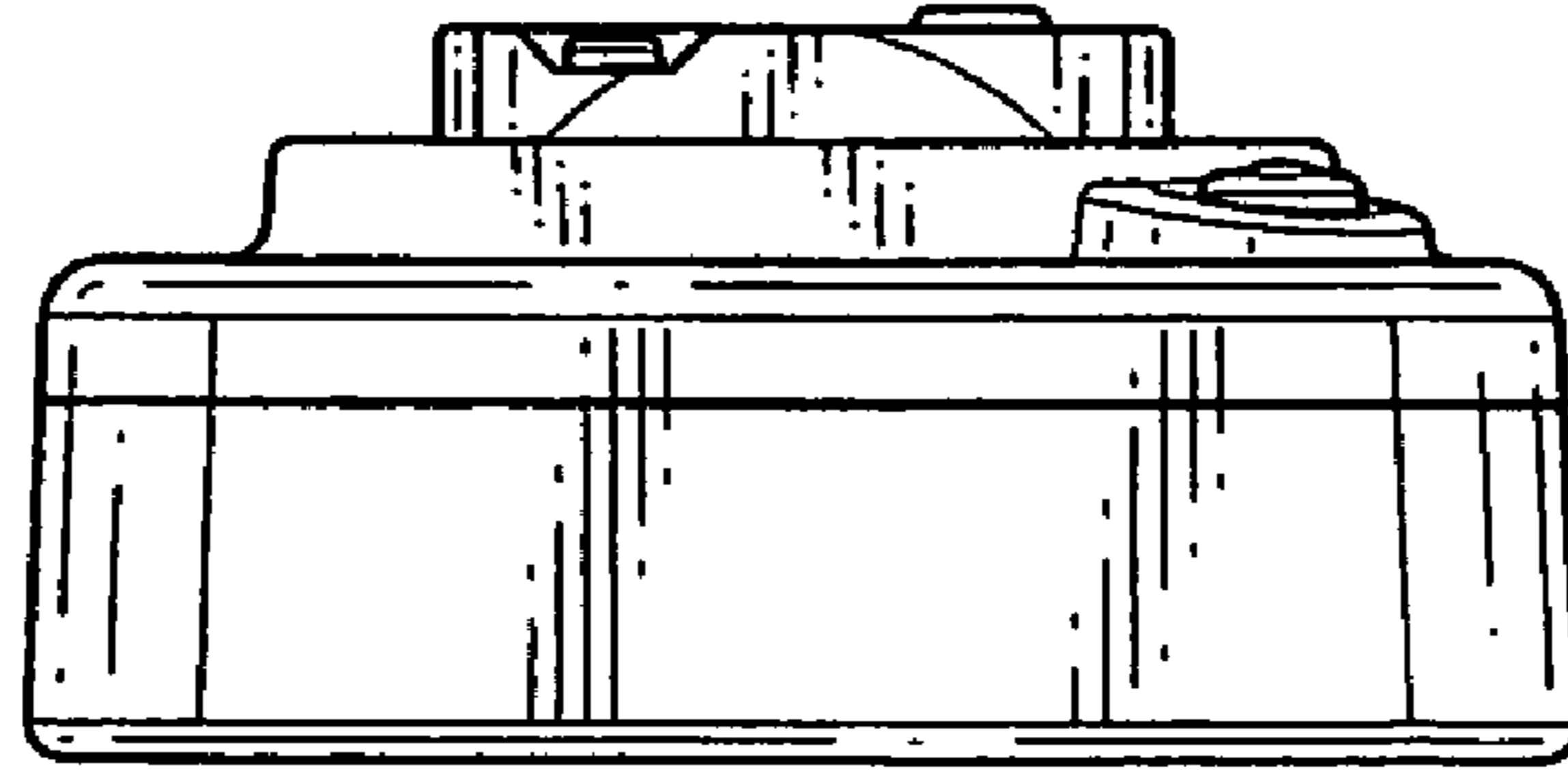


Fig. 4

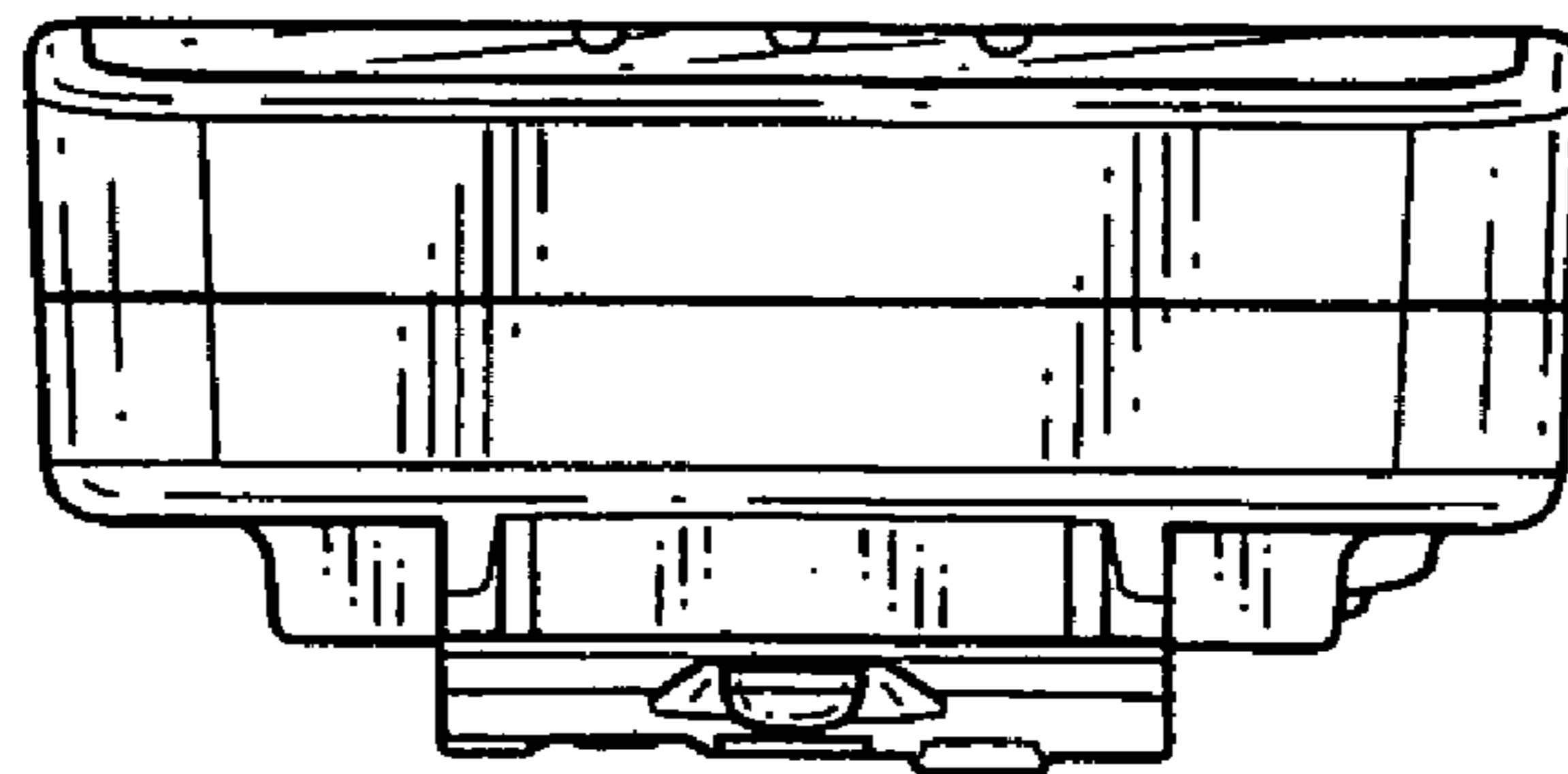


Fig. 5

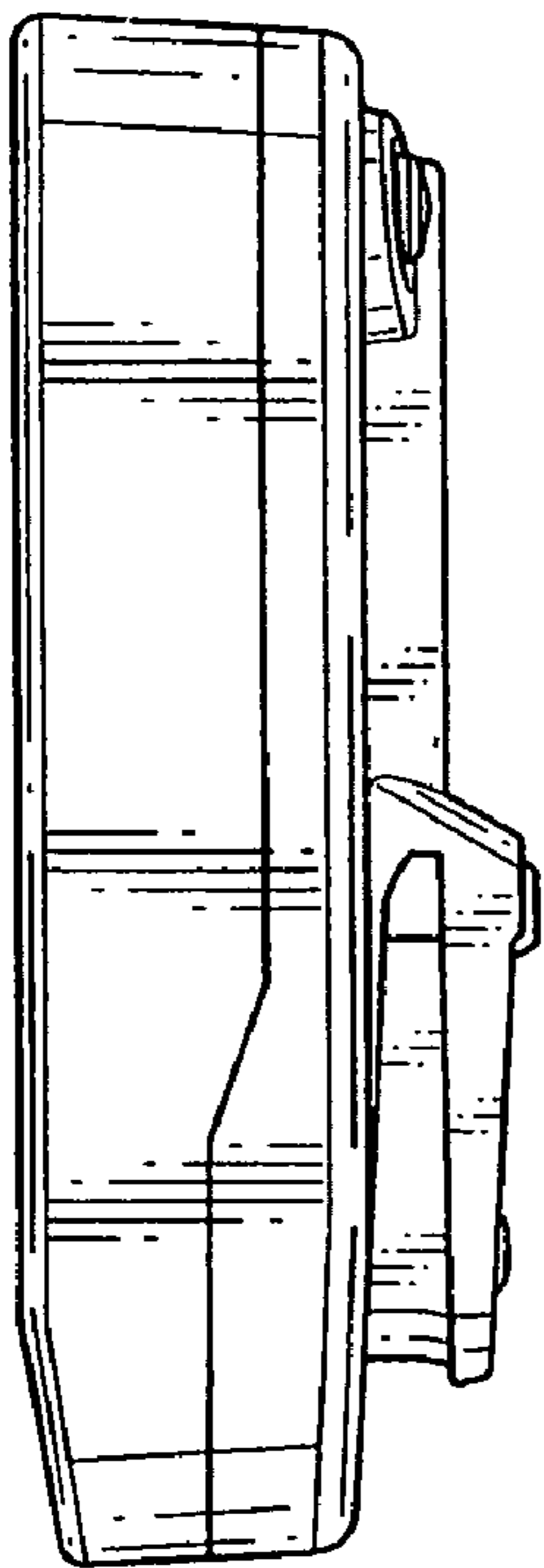


Fig. 6

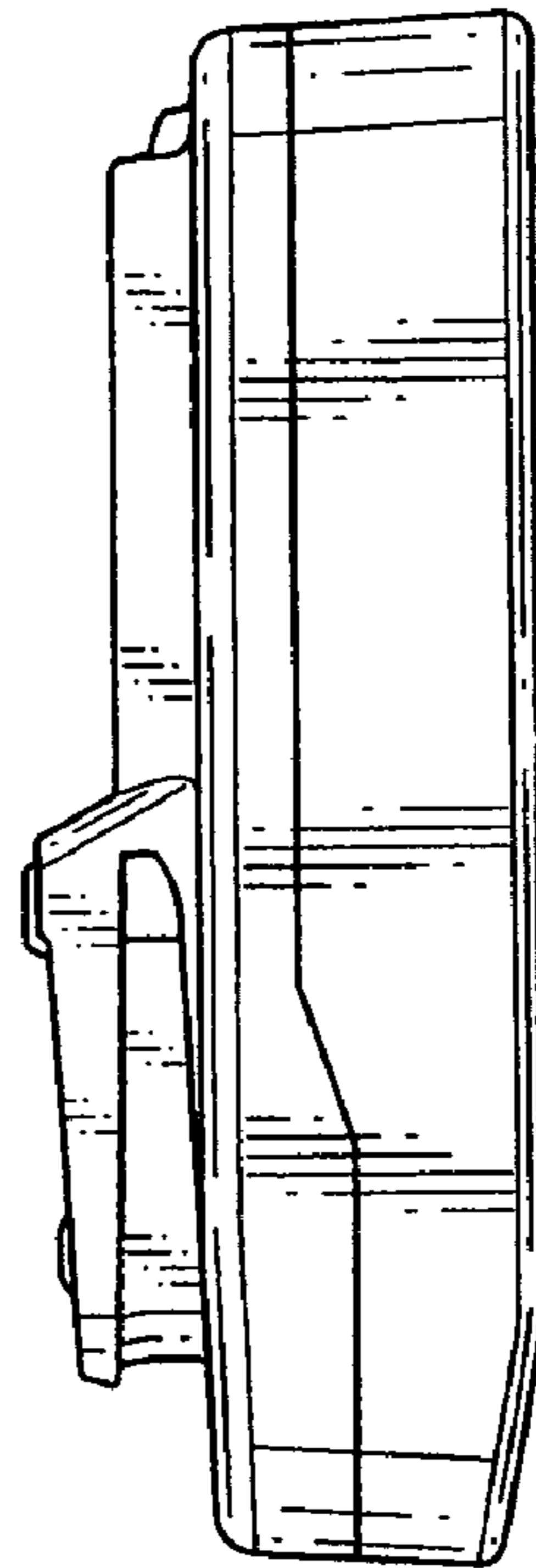


Fig. 7