



US00D637505S

(12) **United States Design Patent**
Adkins

(10) **Patent No.:** **US D637,505 S**

(45) **Date of Patent:** **** May 10, 2011**

(54) **DEPTH GAUGE**

(75) **Inventor:** **Edward D. Adkins**, Machesney Park, IL (US)

(73) **Assignee:** **Nomis LLC**, Hampshire, IL (US)

(**) **Term:** **14 Years**

(21) **Appl. No.:** **29/360,651**

(22) **Filed:** **Apr. 29, 2010**

(51) **LOC (9) Cl.** **10-04**

(52) **U.S. Cl.** **D10/65; D15/142**

(58) **Field of Classification Search** D10/65;
D15/142; 30/123.7; 83/436.2, 437.2, 438,
83/468; 144/245.6; 294/15, 27.1
See application file for complete search history.

(56) **References Cited**

U.S. PATENT DOCUMENTS

D517,575 S *	3/2006	Maschke	D15/133
D561,791 S *	2/2008	Kozina et al.	D15/142
2006/0201298 A1 *	9/2006	Smith	83/468
2007/0163408 A1 *	7/2007	Buck et al.	83/438

OTHER PUBLICATIONS

Milescraft; Model #3402 PushStick; pages printed from a website, <http://www.milescraft.com/product/3402.html>; date last visited Jun. 15, 2010; 3 pages.

* cited by examiner

Primary Examiner — Antoine D Davis

(74) *Attorney, Agent, or Firm* — Reinhart Boerner Van Deuren P.C.

(57) **CLAIM**

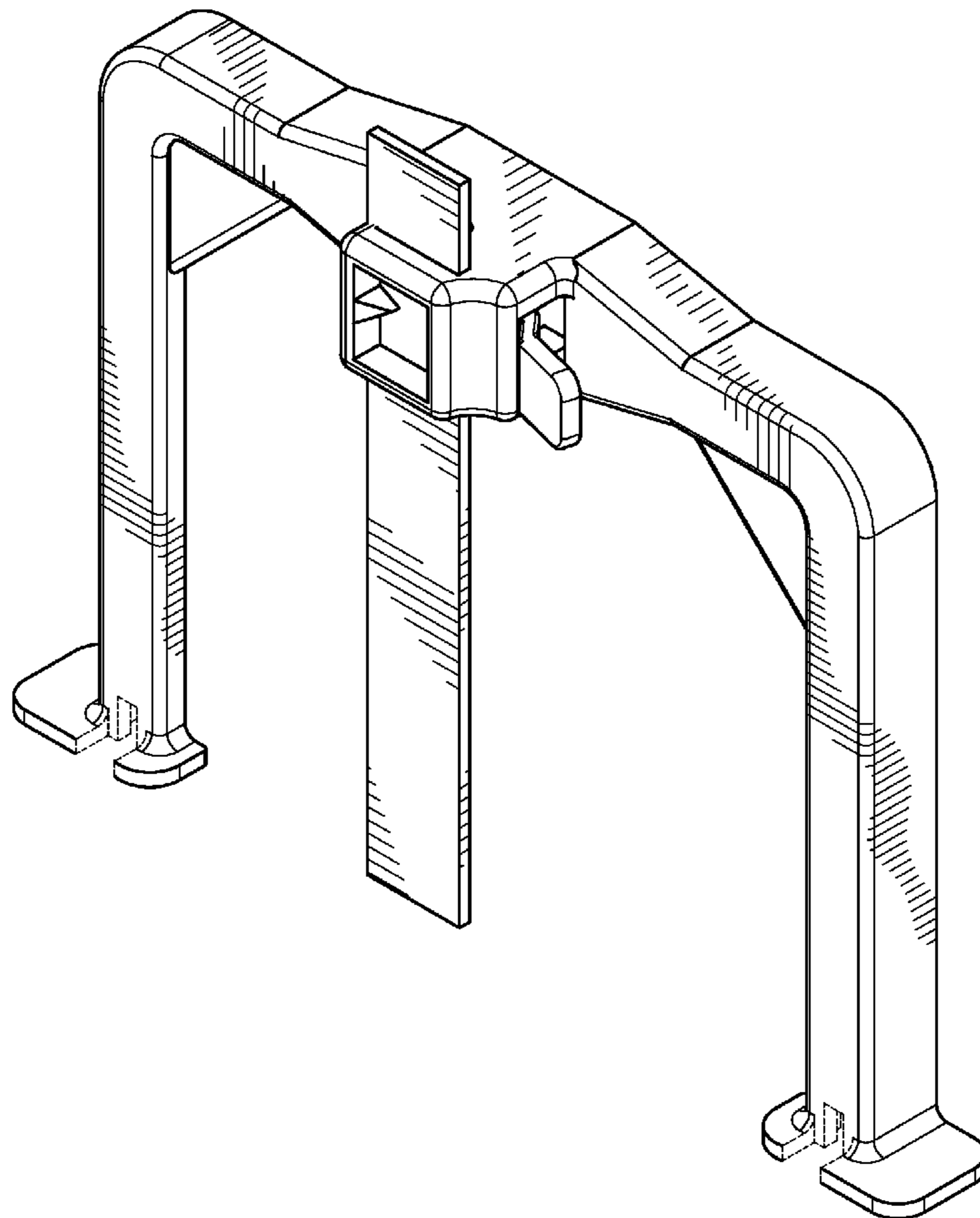
I claim the ornamental design for the depth gauge, as shown and described.

DESCRIPTION

FIG. 1 is a top and front perspective view of the depth gauge; FIG. 2 is a bottom and rear perspective view thereof; FIG. 3 is a left side view thereof; FIG. 4 is a front view thereof; FIG. 5 is a rear view thereof; FIG. 6 is a right side view thereof showing the side opposite that shown in FIG. 3; FIG. 7 is a top view thereof; and, FIG. 8 is a bottom view thereof.

The dashed lines of the figures are for illustrative purposes only and form no part of the claimed depth gauge design.

1 Claim, 5 Drawing Sheets



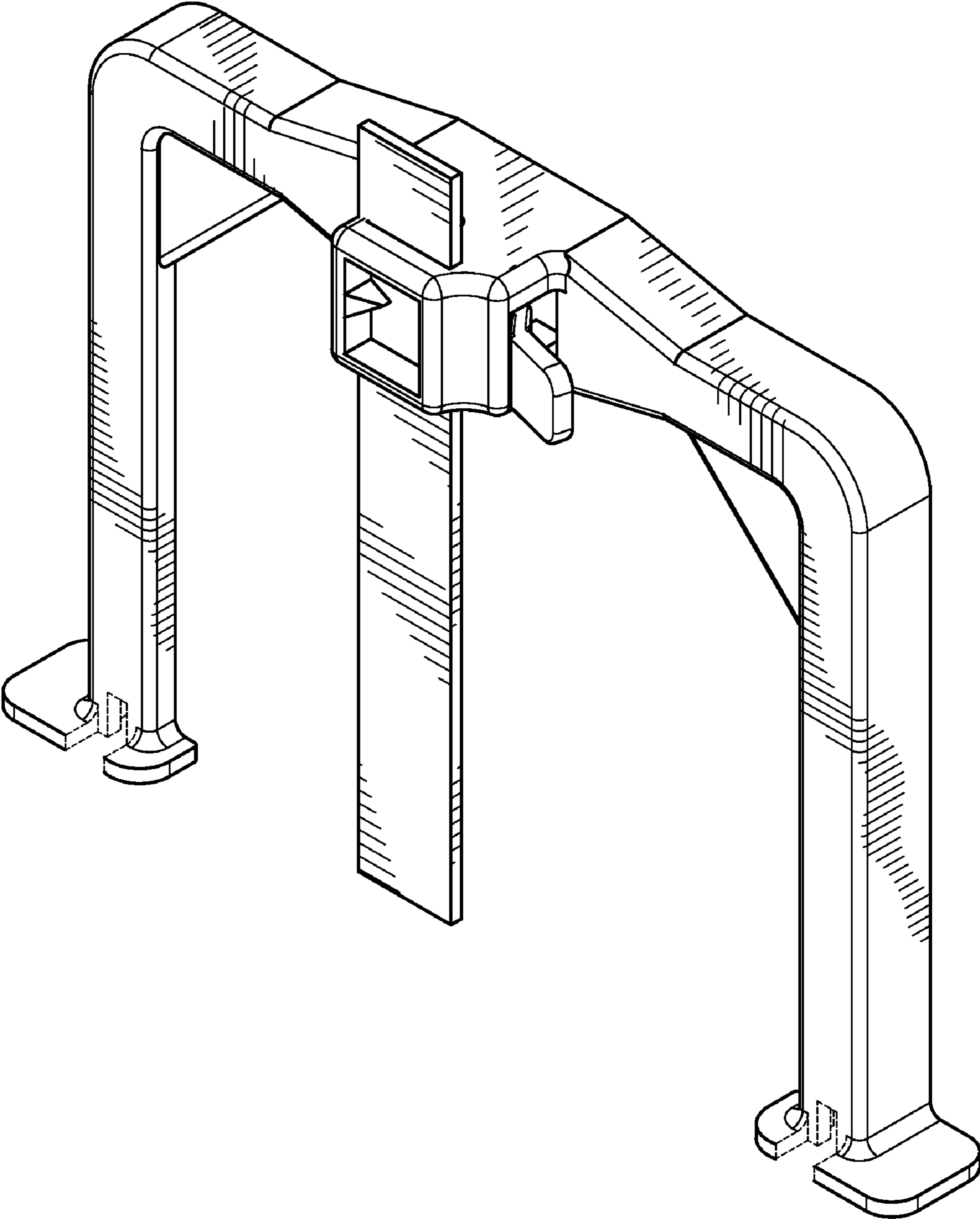


FIG. 1

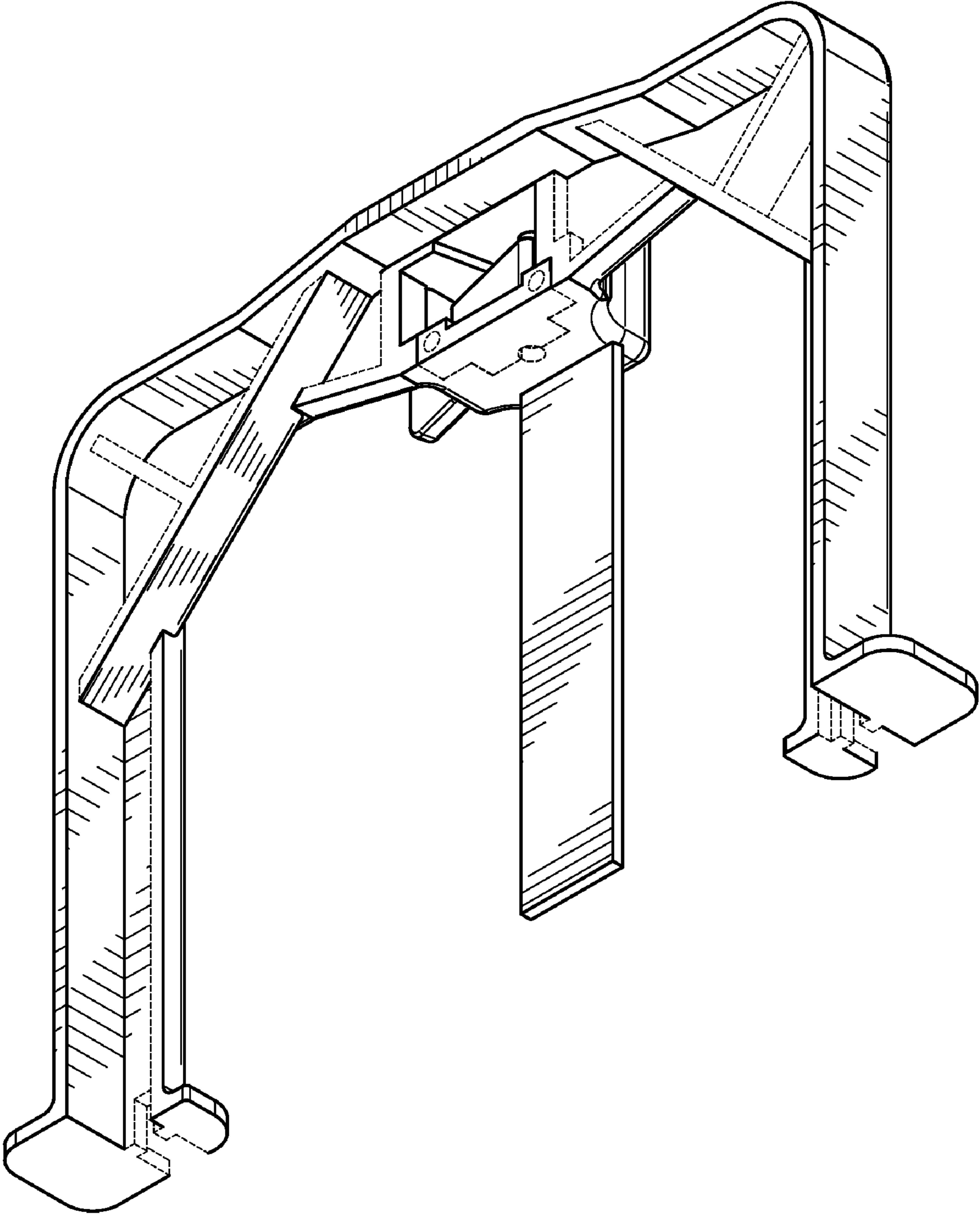


FIG. 2

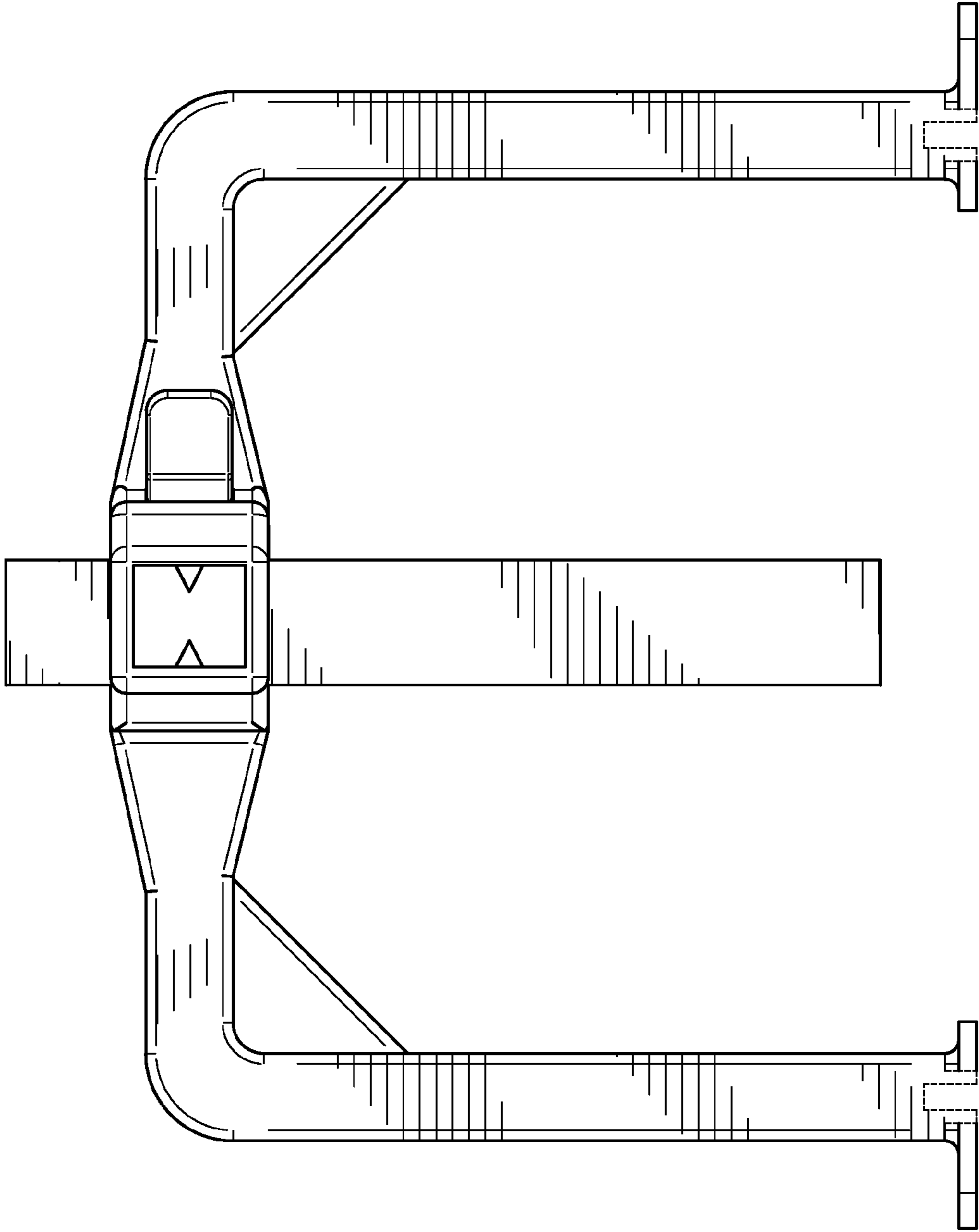


FIG. 4

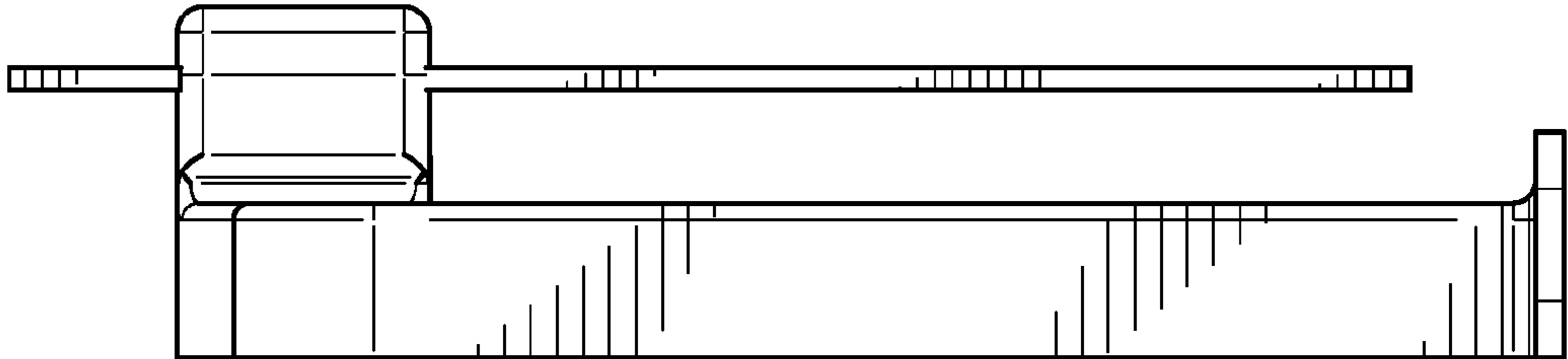


FIG. 3

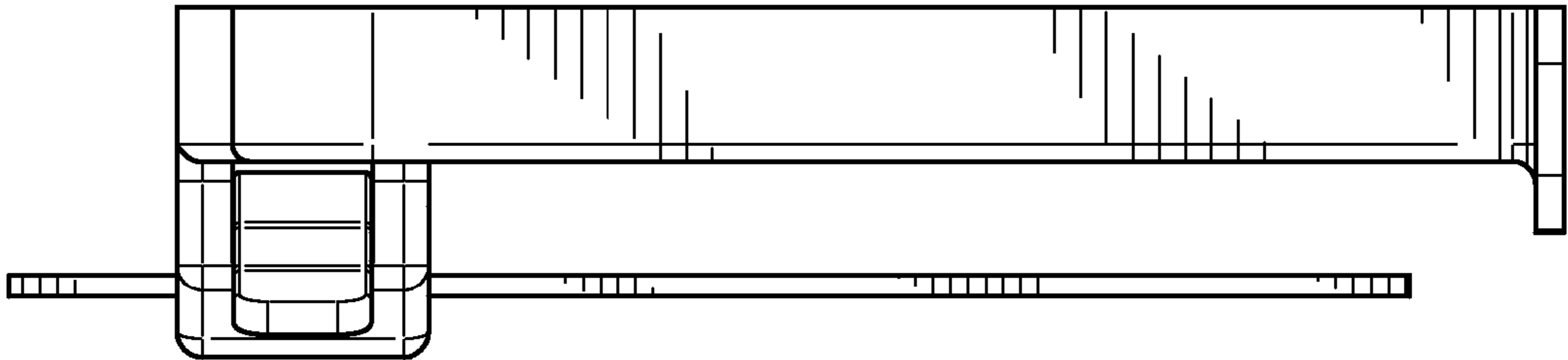


FIG. 6

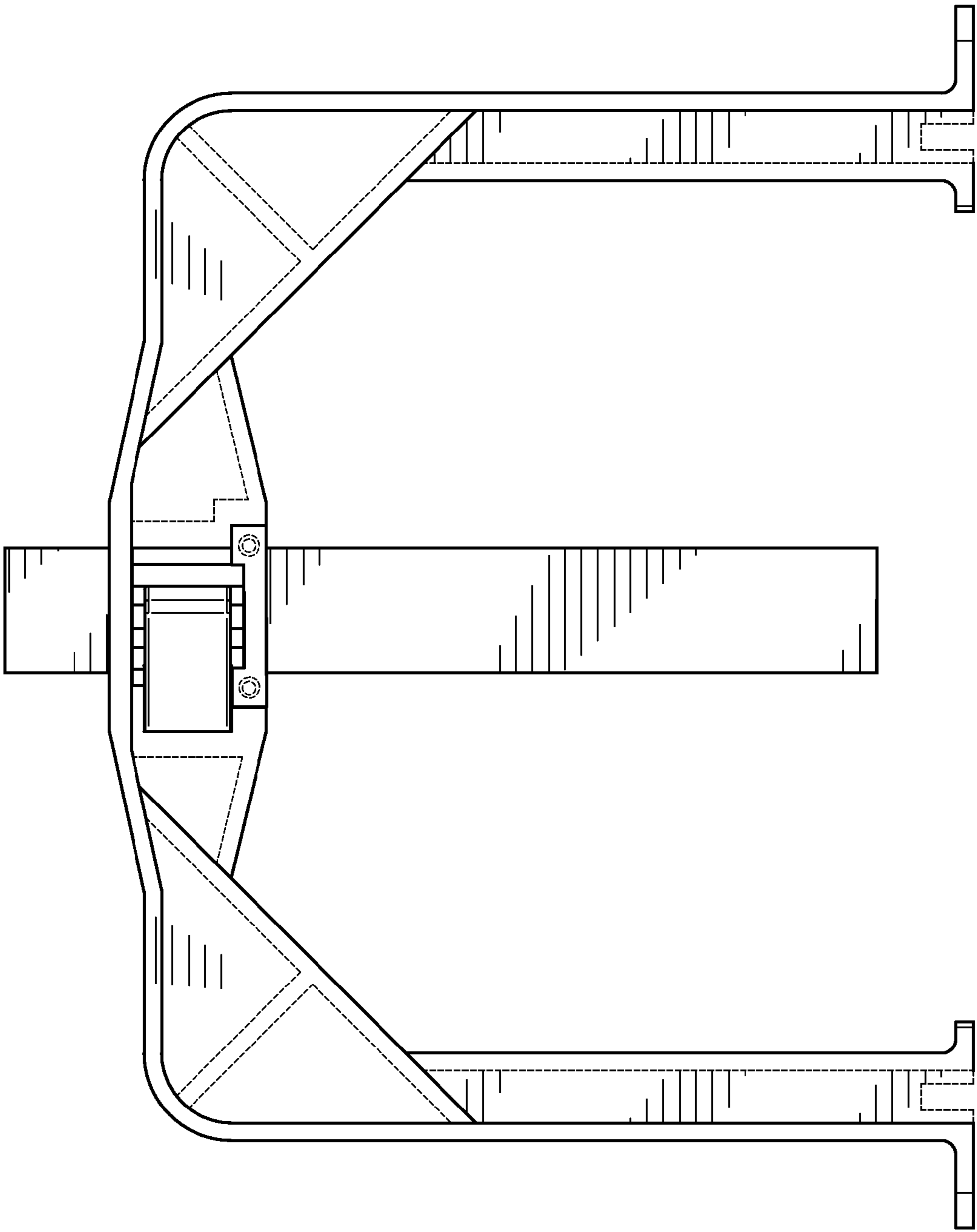


FIG. 5

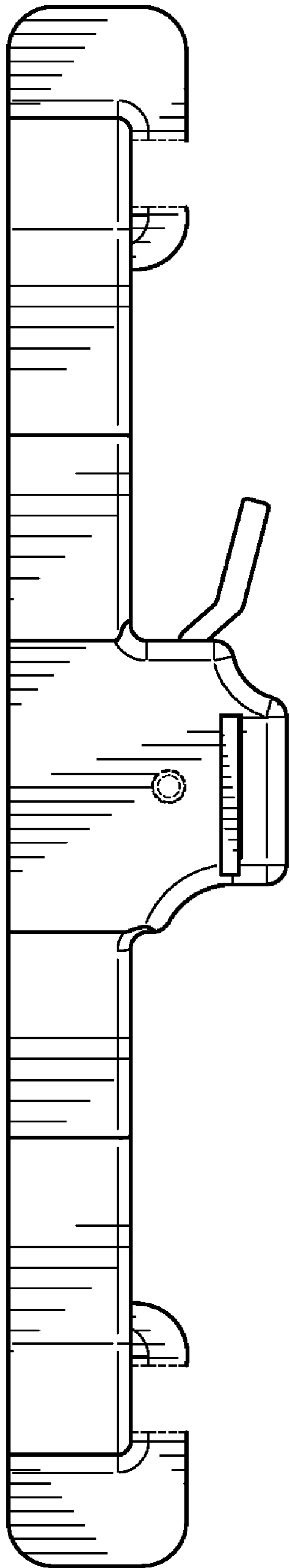


FIG. 7

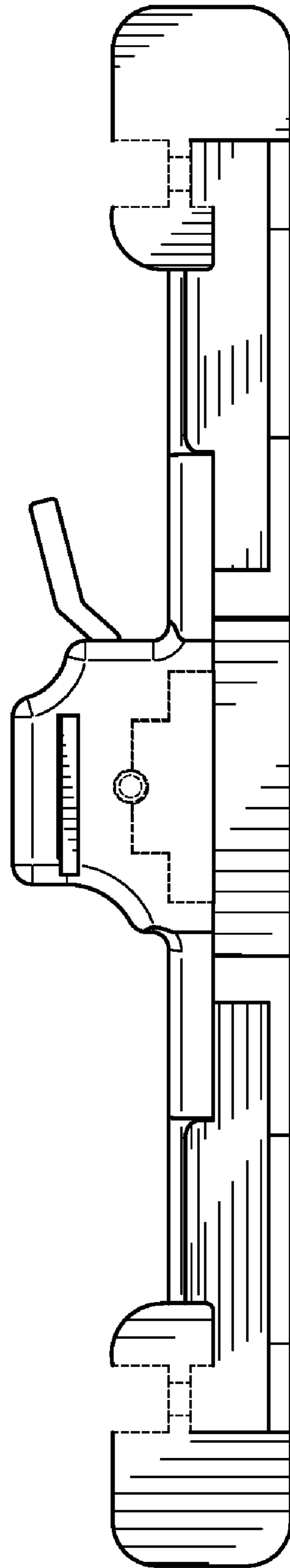


FIG. 8