



US00D637504S

(12) **United States Design Patent**  
**Zieman**

(10) **Patent No.:** **US D637,504 S**

(45) **Date of Patent:** **\*\* May 10, 2011**

(54) **PATCHWORKING TEMPLATE**

(75) Inventor: **Nancy L. Zieman**, Beaver Dam, WI  
(US)

(73) Assignee: **Clover Mfg. Co., Ltd.**, Osaka (JP)

(\*\*) Term: **14 Years**

(21) Appl. No.: **29/362,977**

(22) Filed: **Jun. 2, 2010**

(51) **LOC (9) Cl.** ..... **10-04**

(52) **U.S. Cl.** ..... **D10/64**

(58) **Field of Classification Search** ..... D10/64;  
33/562-566; 493/51, 56, 84, 86, 88, 90,  
493/93, 114, 115, 186, 187, 210, 217, 218,  
493/221, 223, 227, 228, 231, 240; 112/475.01  
See application file for complete search history.

(56) **References Cited**

U.S. PATENT DOCUMENTS

D205,041 S *	6/1966	Capps	.....	D10/64
D323,470 S *	1/1992	Deyerle	.....	D10/64
D335,262 S *	5/1993	Wells	.....	D10/64
D483,279 S *	12/2003	Sandler et al.	.....	D10/64
2005/0034319 A1 *	2/2005	Terrazas	.....	33/562

\* cited by examiner

*Primary Examiner* — Antoine D Davis

(74) *Attorney, Agent, or Firm* — Hamre, Schumann, Mueller & Larson, P.C.

(57) **CLAIM**

The ornamental design for a patchworking template, as shown and described.

**DESCRIPTION**

FIG. 1 is a perspective view of a patchworking template according to a first embodiment of my new design;  
 FIG. 2 is a front view of the template;  
 FIG. 3 is a rear view of the template;  
 FIG. 4 is a top plan view of the template;  
 FIG. 5 is a bottom view of the template;  
 FIG. 6 is a left side view of the template, the right side view being identical to the right side view;  
 FIG. 7 is a perspective view of a patchworking template according to a second embodiment of my new design;  
 FIG. 8 is a front view of the second embodiment template;  
 FIG. 9 is a rear view of the second embodiment template, the top plan view, bottom view, left side view and right side view of the second embodiment template being identical to those of the first embodiment template;  
 FIG. 10 is a perspective view of a patchworking template according to a third embodiment of my new design;  
 FIG. 11 is a front view of the third embodiment template; and,  
 FIG. 12 is a rear view of the third embodiment template, the top plan view, bottom view, left side view and right side view of the third embodiment template being identical to those of the first embodiment template.

**1 Claim, 11 Drawing Sheets**

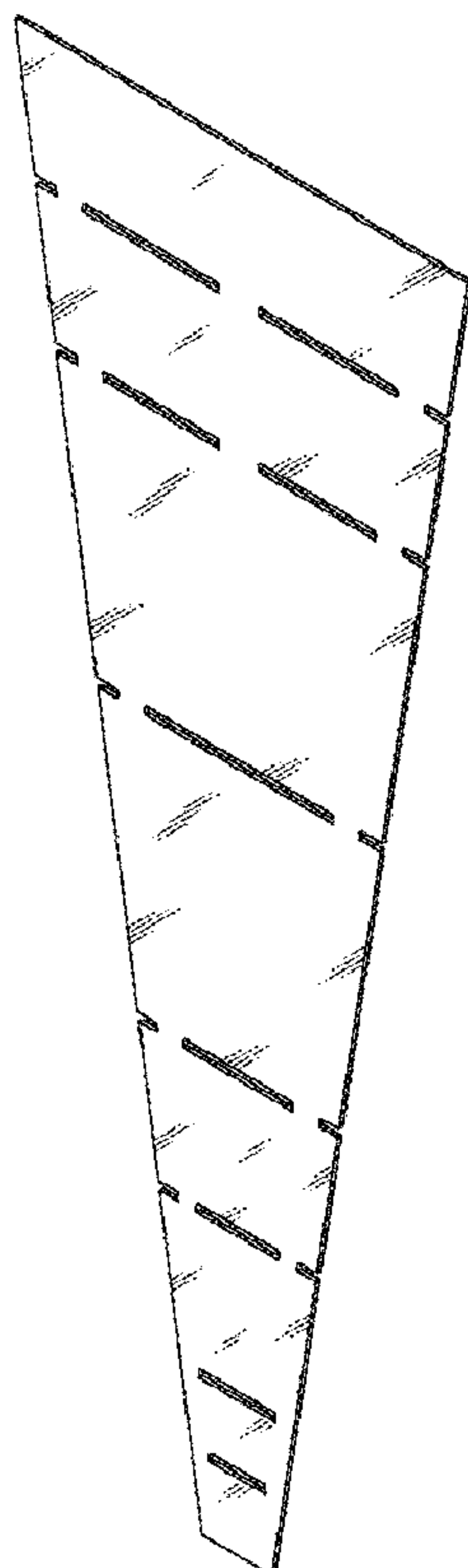


FIG. 1

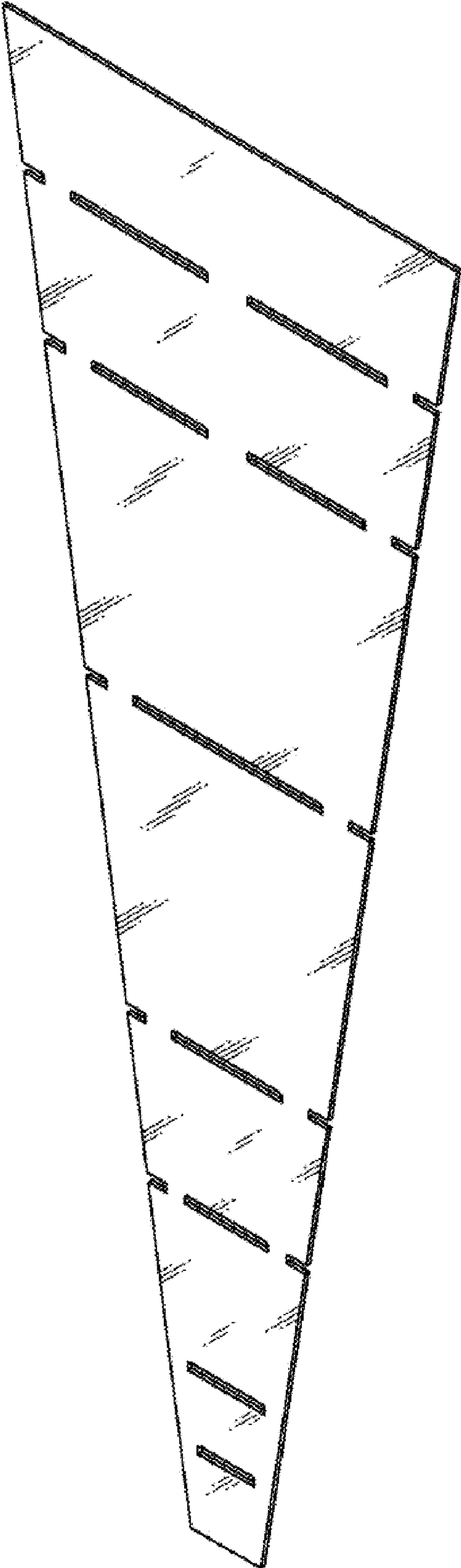


FIG.2

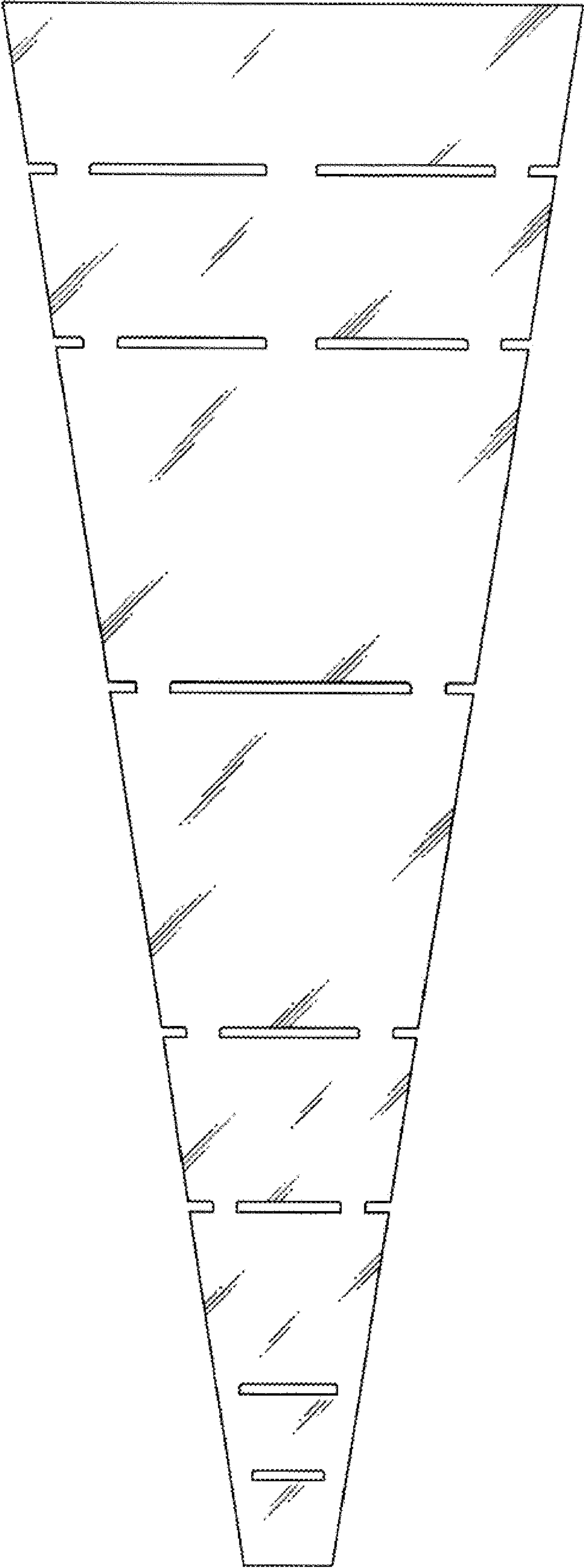


FIG.3

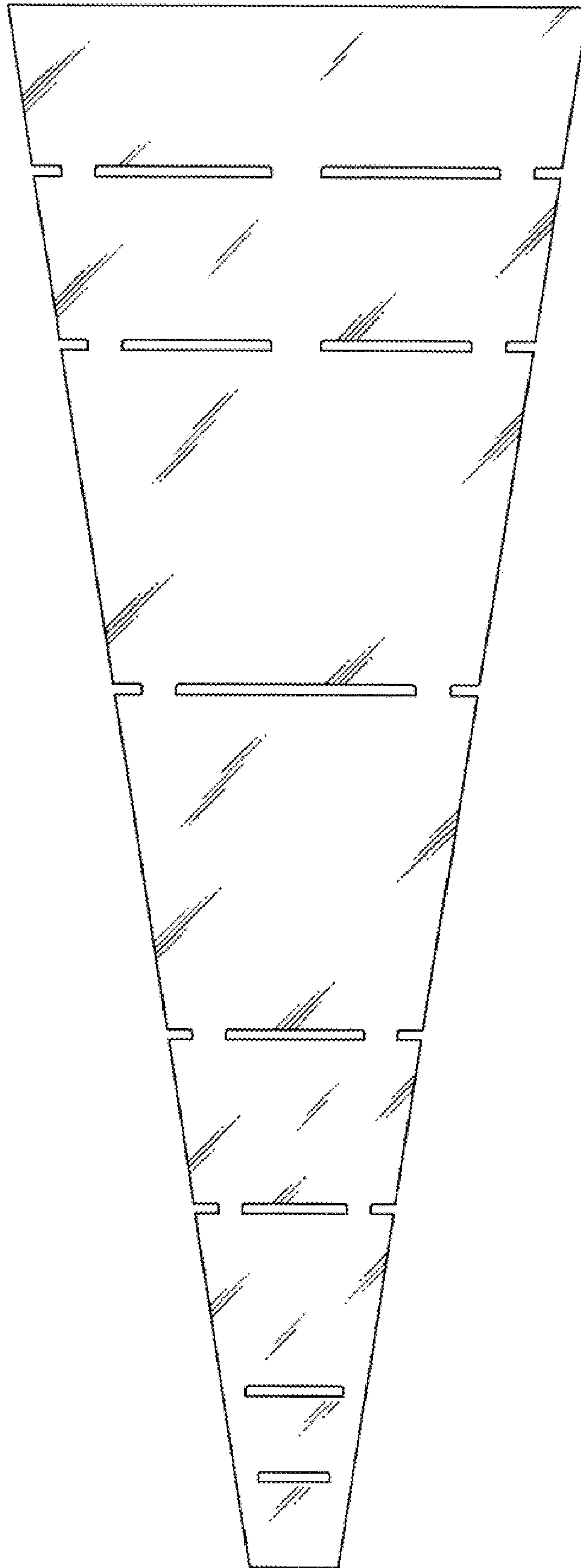


FIG.4



FIG.5



FIG. 6





FIG. 7

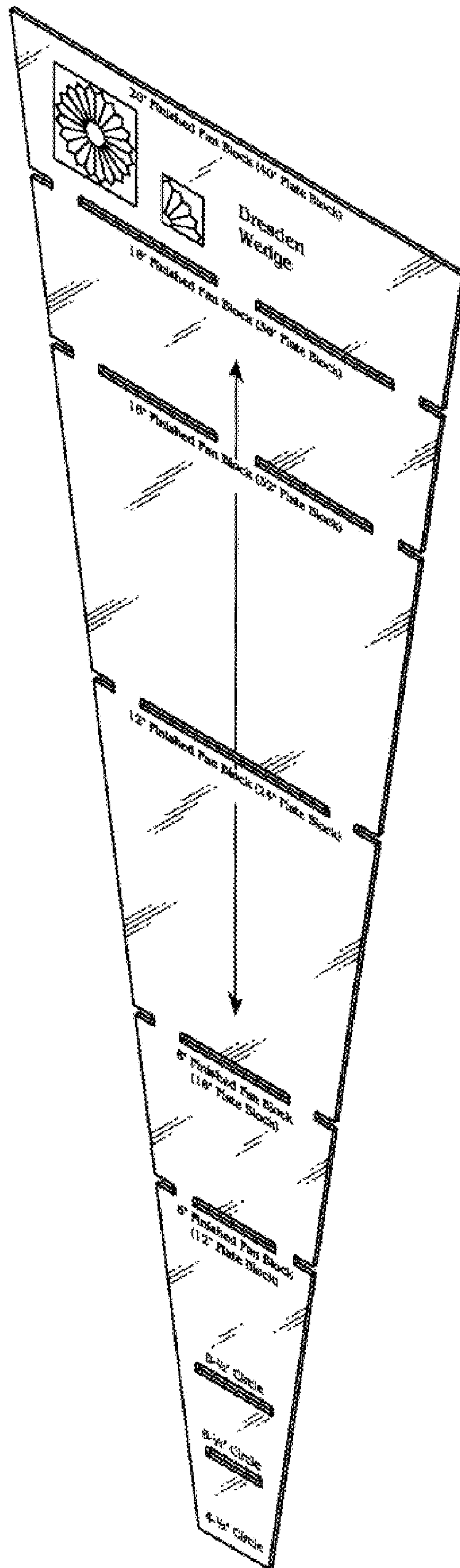


FIG.8

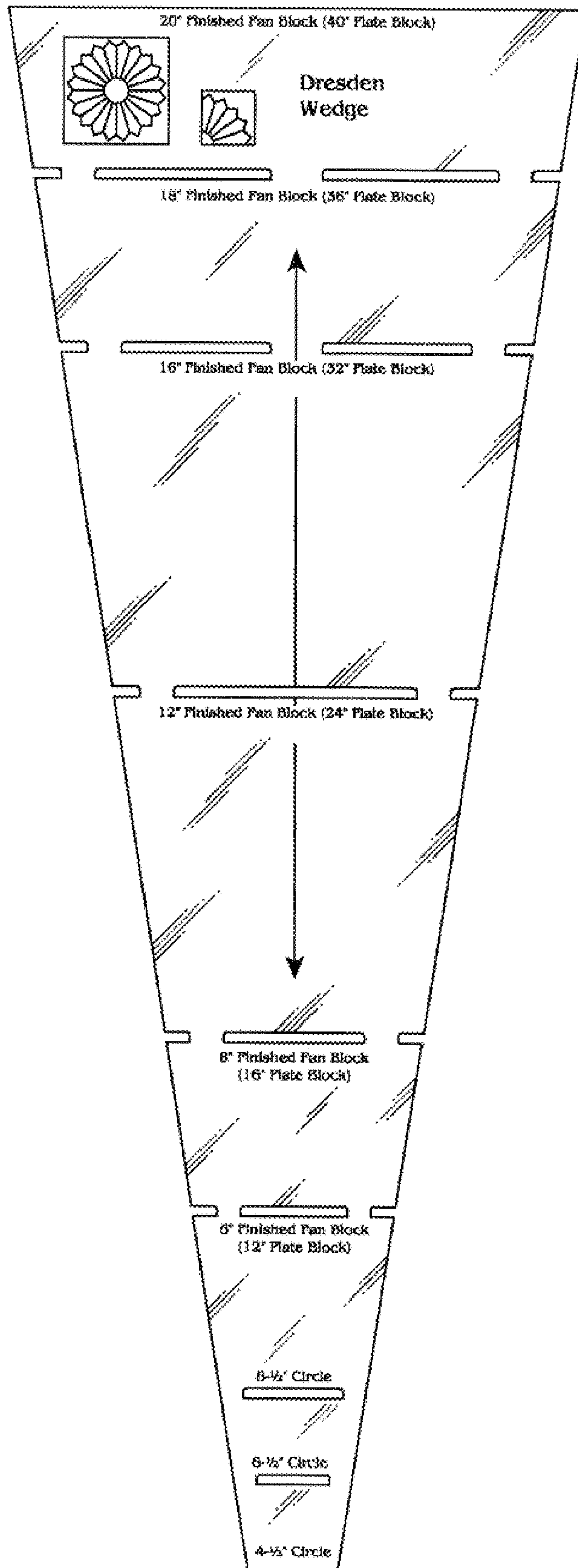




FIG. 9

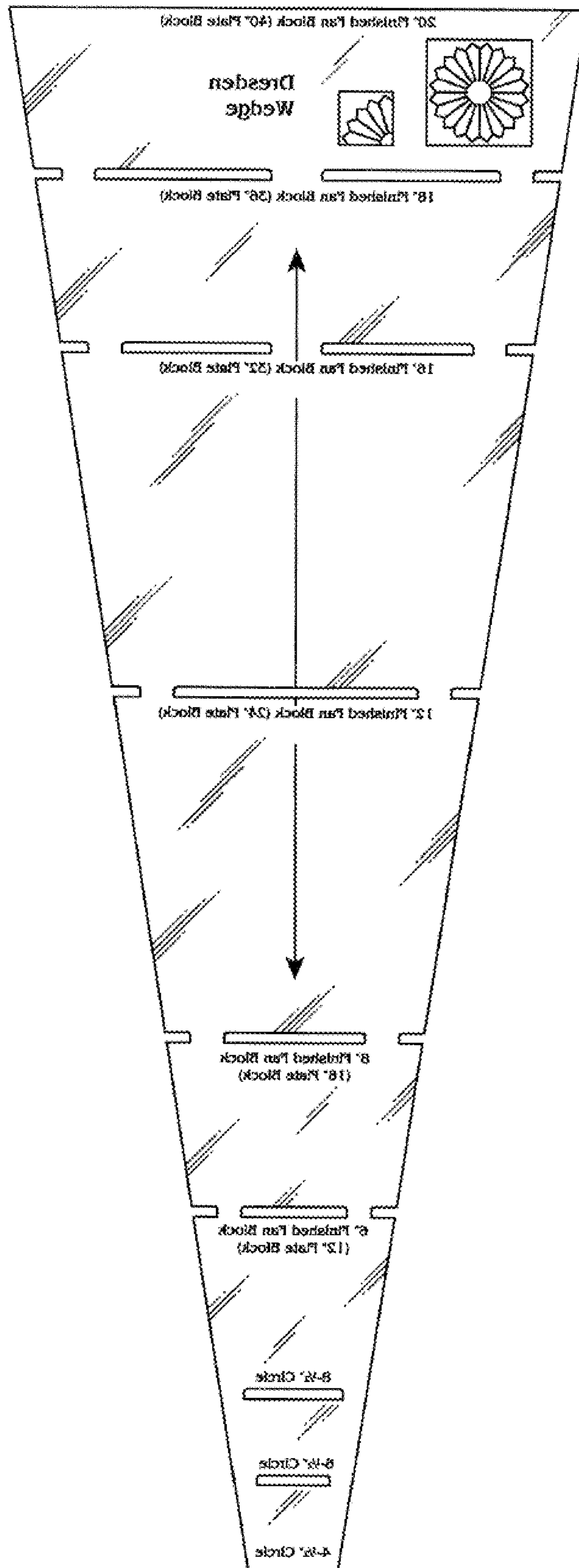


FIG. 10

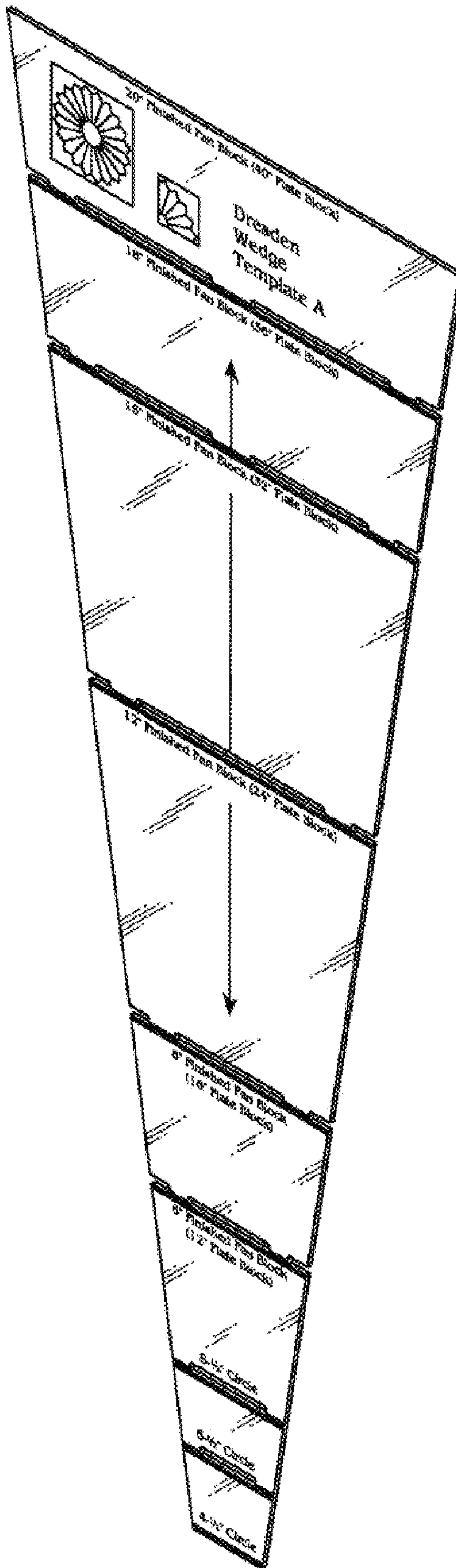


FIG. 11

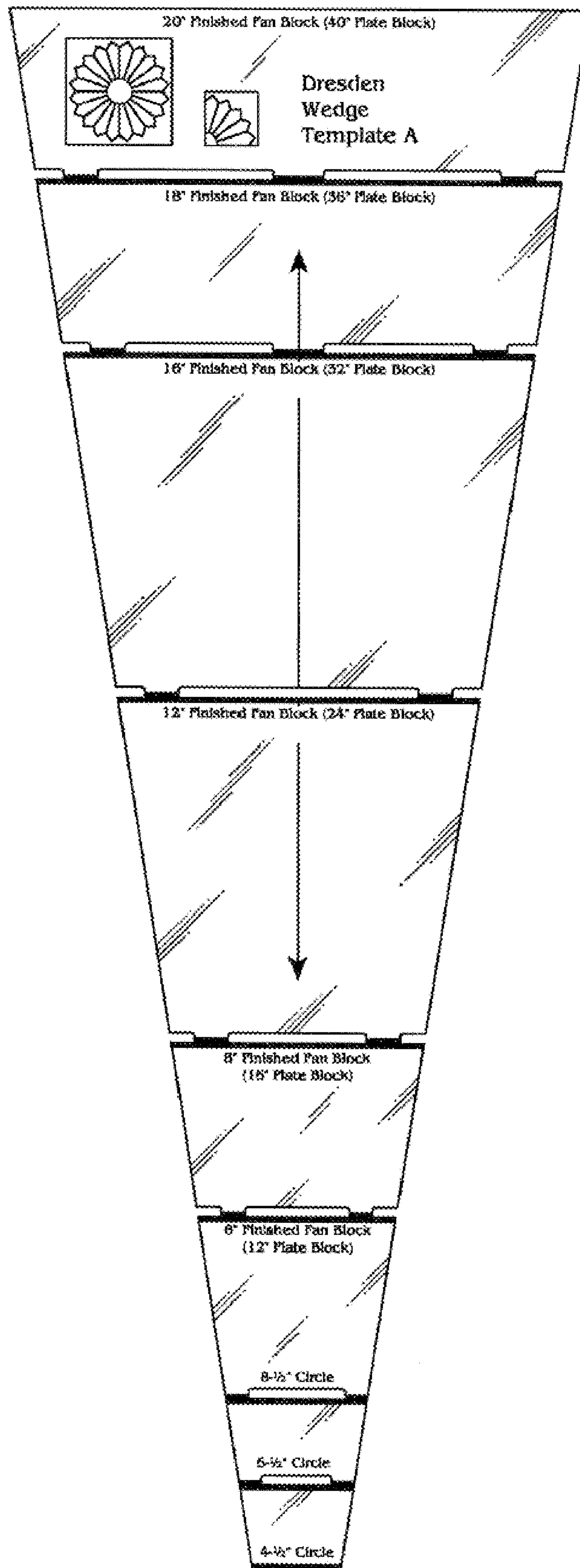


FIG. 12

