



US00D637500S

(12) **United States Design Patent**  
**Corbin**

(10) **Patent No.:** **US D637,500 S**

(45) **Date of Patent:** **\*\* May 10, 2011**

(54) **TOOL AND GAUGE**

(75) **Inventor:** **Randall K. Corbin**, Uniontown, OH (US)

(73) **Assignee:** **Autosales, Incorporated**, Tallmadge, OH (US)

(\*\*) **Term:** **14 Years**

(21) **Appl. No.:** **29/356,478**

(22) **Filed:** **Feb. 26, 2010**

(51) **LOC (9) Cl.** ..... **10-04**

(52) **U.S. Cl.** ..... **D10/64; D8/19; D19/40**

(58) **Field of Classification Search** ..... D8/14, D8/16-19; D10/64; D19/39, 40; 33/562, 33/563, 565-567, 567.1  
See application file for complete search history.

(56) **References Cited**

**U.S. PATENT DOCUMENTS**

1,881,651	A *	10/1932	Judge	.....	33/565
2,409,019	A	10/1946	Cree		
2,728,145	A	12/1955	Holladay		
3,679,266	A	7/1972	Jenkins		
3,858,325	A	1/1975	Goerler		
D249,477	S	9/1978	Lordahl		
D249,655	S	9/1978	Gullaksen et al.		
D257,383	S *	10/1980	Davenport	.....	D8/19
D260,245	S	8/1981	Lordahl		
D262,779	S	1/1982	Yeeda		
D278,691	S	5/1985	Sorrell		
5,253,427	A	10/1993	Bartlett		
D342,684	S *	12/1993	Halo	.....	D10/64
D349,655	S	8/1994	Round		
D353,753	S *	12/1994	Williams	.....	D8/14
D366,843	S	2/1996	Rosenstein		
5,534,952	A	7/1996	Zanecchia et al.		
D379,155	S	5/1997	Bond		
5,685,085	A	11/1997	Bond		
D445,348	S *	7/2001	Trainor	.....	D10/64
D471,826	S	3/2003	Rosenstein		

D476,583	S	7/2003	Bailey		
6,594,914	B1	7/2003	Babcock		
6,904,690	B2	6/2005	Bakke et al.		
6,996,913	B2	2/2006	Lum et al.		
D546,211	S *	7/2007	Sorrell	.....	D10/64
D603,230	S *	11/2009	DeBow	.....	D8/17
D609,985	S *	2/2010	DeBow	.....	D8/17
2008/0229598	A1	9/2008	Liu		

**FOREIGN PATENT DOCUMENTS**

FR 2586801 A1 3/1987

**OTHER PUBLICATIONS**

Planishing Hammer Parts & Dies, Individual Planishing Hammer Parts, Desert Hybrids Precision, pp. 1-9 (internet parts list with prices), <http://home.earthlink.net/~deserthybrids/deserthybridsprecision1/id12.html>, Jan. 21, 2010.

Daedalus Technologies, Inc., Making Technology More Accessible, pp. 1-8, Copyright 2006.

Nuts and Bolts.com., internet product and price listing, 1 page, [http://nutsandbolts.com/automotive-gauges-c-30\\_64.html](http://nutsandbolts.com/automotive-gauges-c-30_64.html), Jan. 22, 2010.

Rapidesign Drafting Templates product and pricing list, <https://www.draftingsupplies.com/rapidesign.htm>, Jan. 21, 2010.

\* cited by examiner

*Primary Examiner* — Caron Veynar

*Assistant Examiner* — Garth Rademaker

(74) *Attorney, Agent, or Firm* — Buckingham, Doolittle & Burroughs, LLP

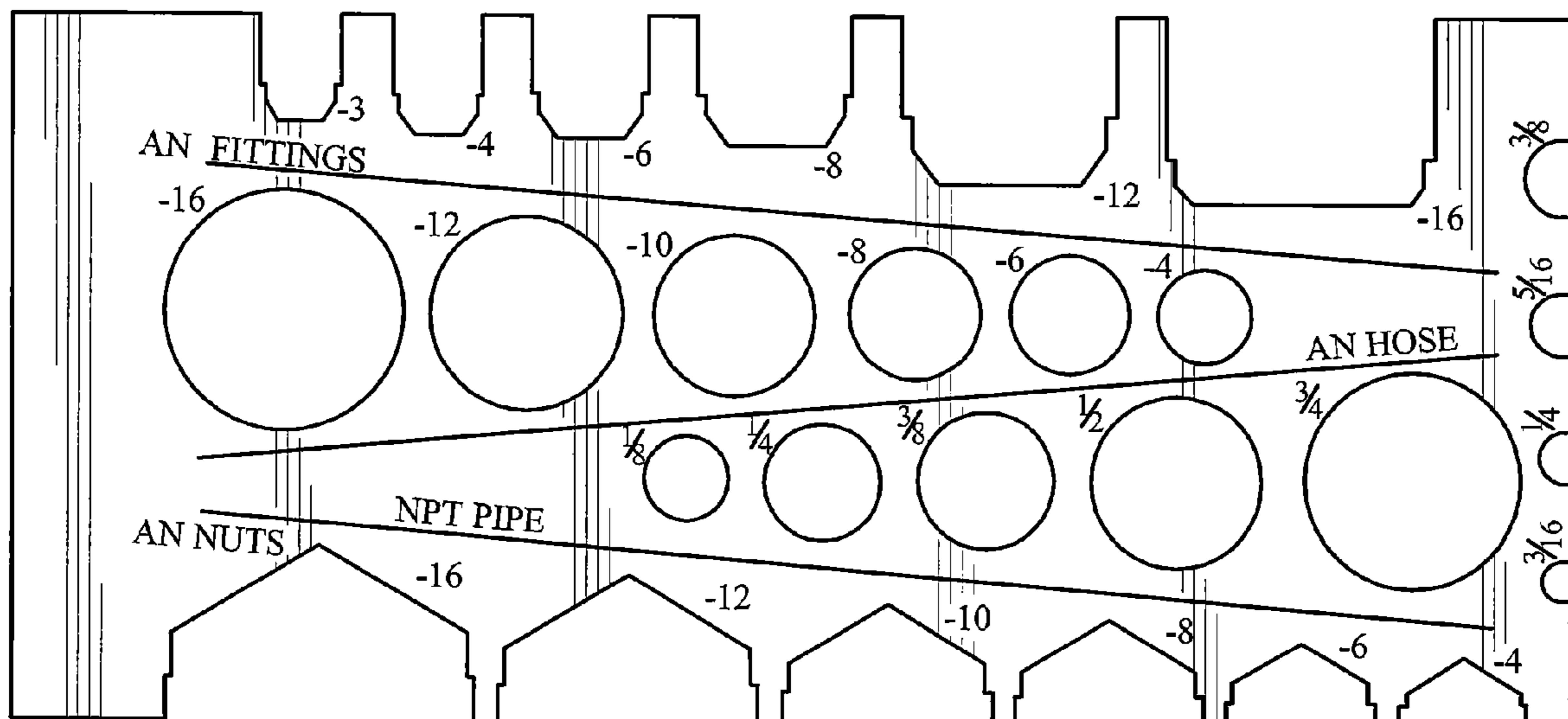
(57) **CLAIM**

I claim the ornamental design for a tool and gauge, as shown.

**DESCRIPTION**

FIG. 1 is a top plan view of a tool and gauge; FIG. 2 is a front elevation view thereof; FIG. 3 is a rear elevation view thereof; FIG. 4 is a bottom plan view thereof; FIG. 5 is a side elevation view thereof; and, FIG. 6 is an opposite side elevation view thereof.

**1 Claim, 2 Drawing Sheets**



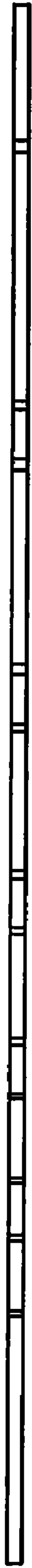


FIG.-3

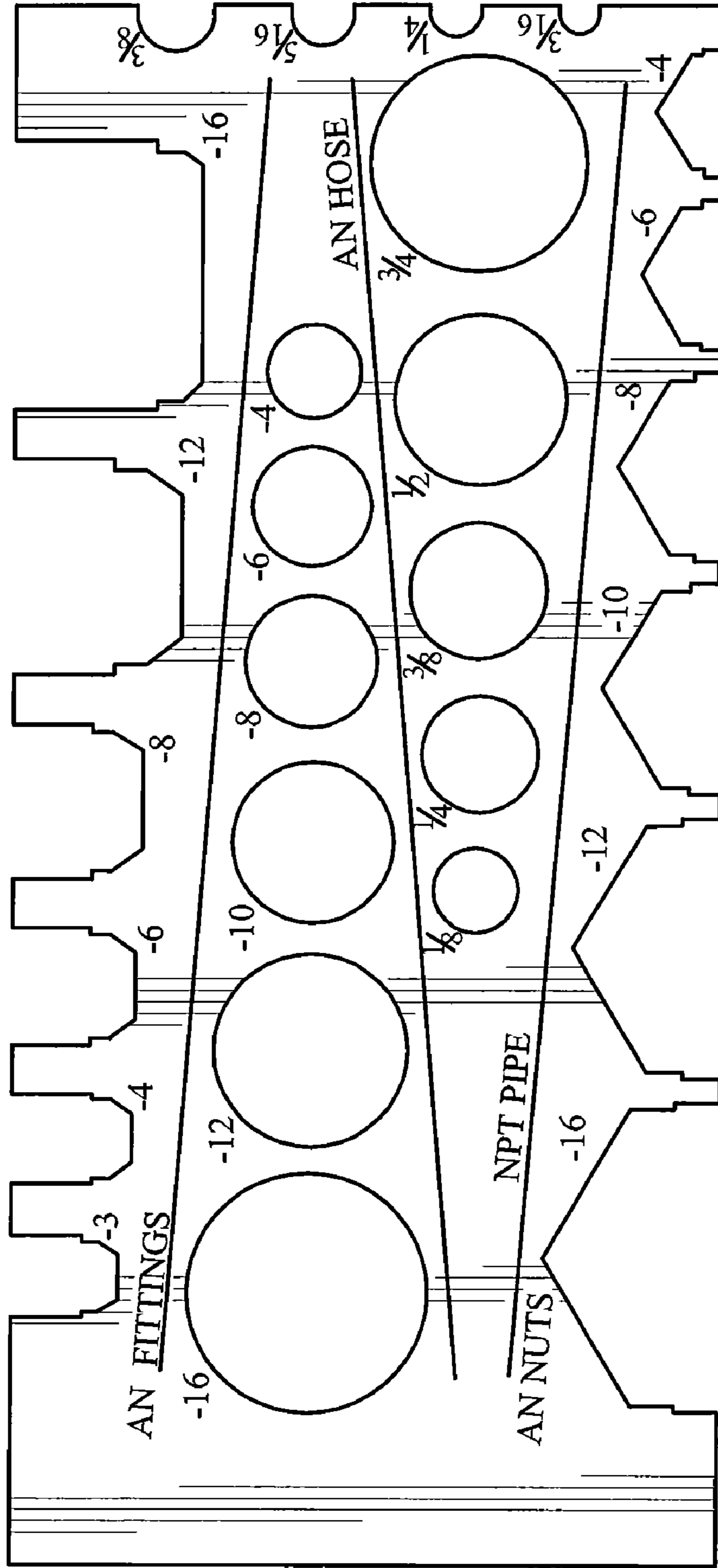


FIG.-2

FIG.-6

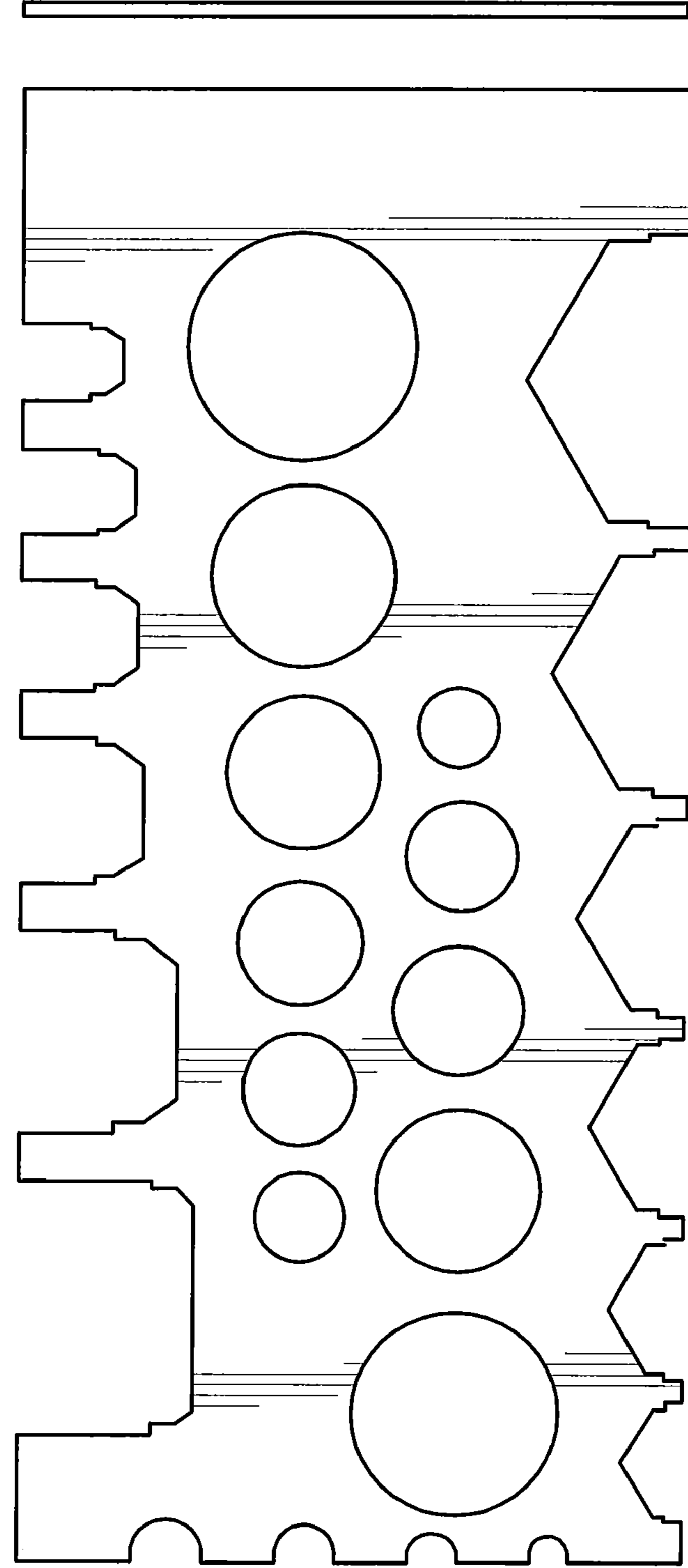


FIG.-5

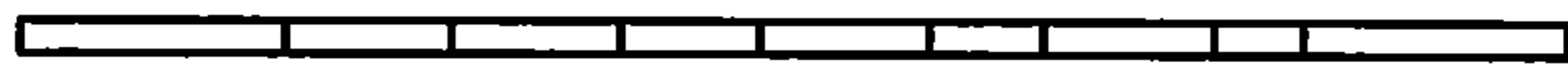


FIG.-4