



US00D637499S

(12) **United States Design Patent**
Dede et al.

(10) **Patent No.:** **US D637,499 S**

(45) **Date of Patent:** **** May 10, 2011**

(54) **HANDHELD LASER WIND VELOCIMETER**

D461,421 S * 8/2002 Kellerman et al. D10/59
2007/0179754 A1 * 8/2007 Sper 702/189

* cited by examiner

(75) Inventors: **Edgar Dede**, Manassas, VA (US);
Patrick Mainville, Montréal (CA);
Richard Paré, Boucherville (CA);
Benoit Orban, Saint-Lambert (CA);
Francois Gaucher, Montréal (CA);
Catherine Turgy, Montréal (CA)

Primary Examiner — Antoine D Davis

(74) *Attorney, Agent, or Firm* — Sterne, Kessler, Goldstein
& Fox PLLC

(73) Assignee: **Catch The Wind, Inc.**, Manassas, VA
(US)

(57) **CLAIM**

The ornamental design for a handheld laser wind velocimeter,
as shown and described.

(**) Term: **14 Years**

(21) Appl. No.: **29/353,748**

(22) Filed: **Jan. 13, 2010**

(51) **LOC (9) Cl.** **10-04**

(52) **U.S. Cl.** **D10/59**

(58) **Field of Classification Search** D10/98,
D10/59; 73/861.94; 356/28, 28.5

See application file for complete search history.

DESCRIPTION

FIG. 1 is a top, front and right side perspective view of a
handheld laser wind velocimeter according to the present
invention;

FIG. 2 is a top plan view thereof;

FIG. 3 is a right side elevation view thereof;

FIG. 4 is a left side elevation view thereof;

FIG. 5 is a rear elevation view thereof;

FIG. 6 is a front elevation view thereof; and,

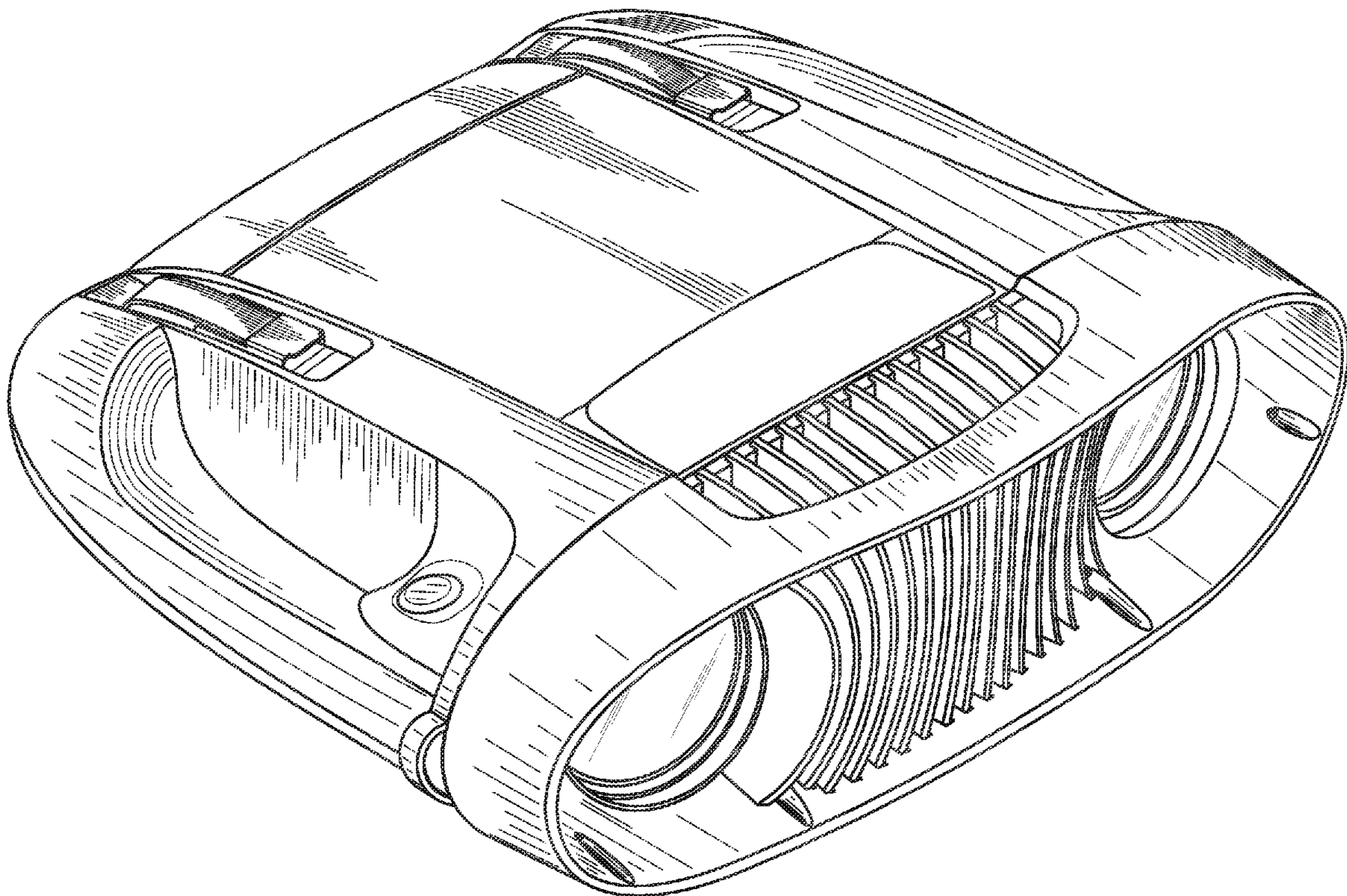
FIG. 7 is a bottom plan view thereof.

(56) **References Cited**

U.S. PATENT DOCUMENTS

D352,909 S * 11/1994 Newman D10/59
6,257,074 B1 * 7/2001 Kellerman 73/861.94

1 Claim, 5 Drawing Sheets



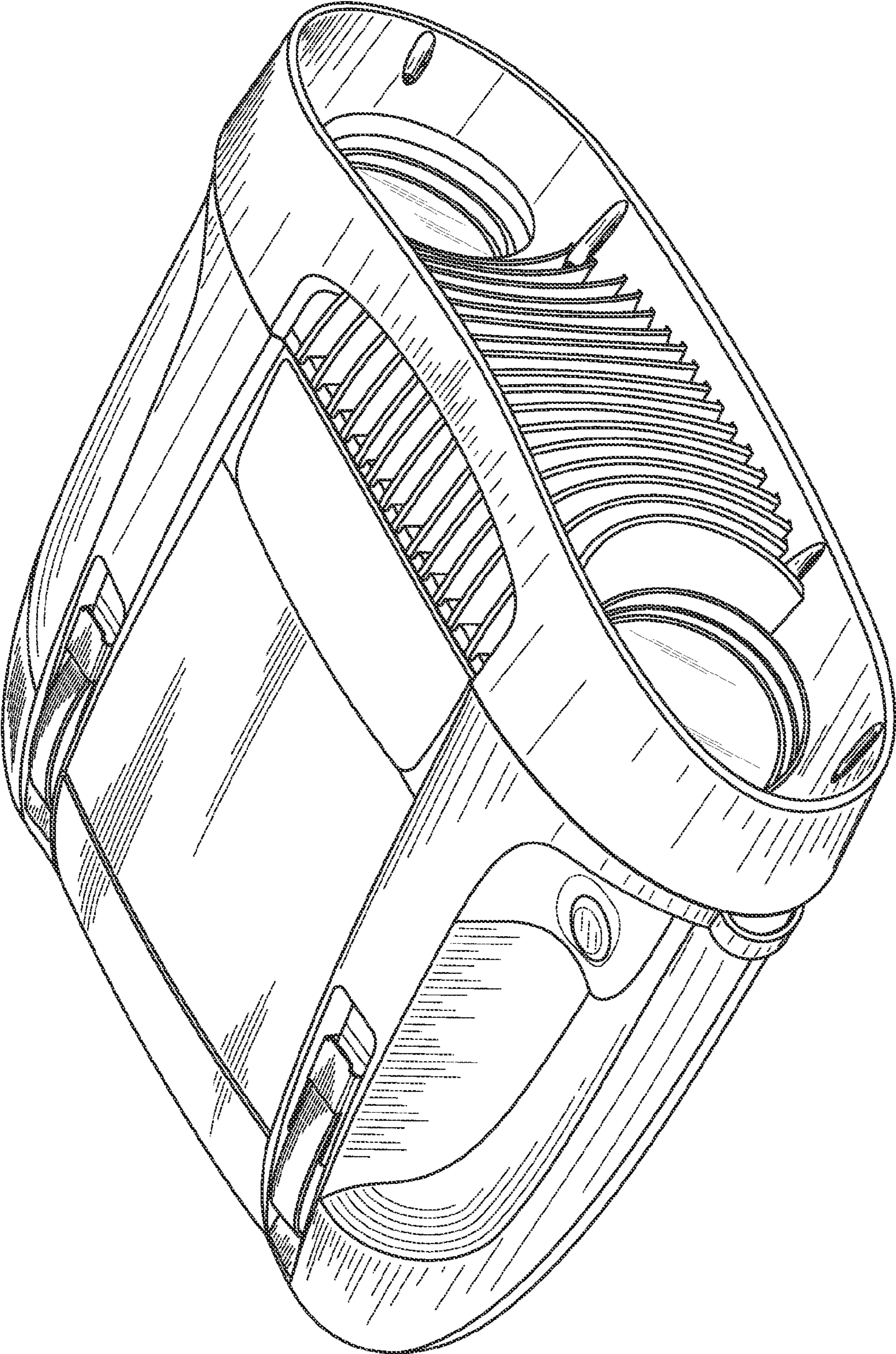


FIG. 1

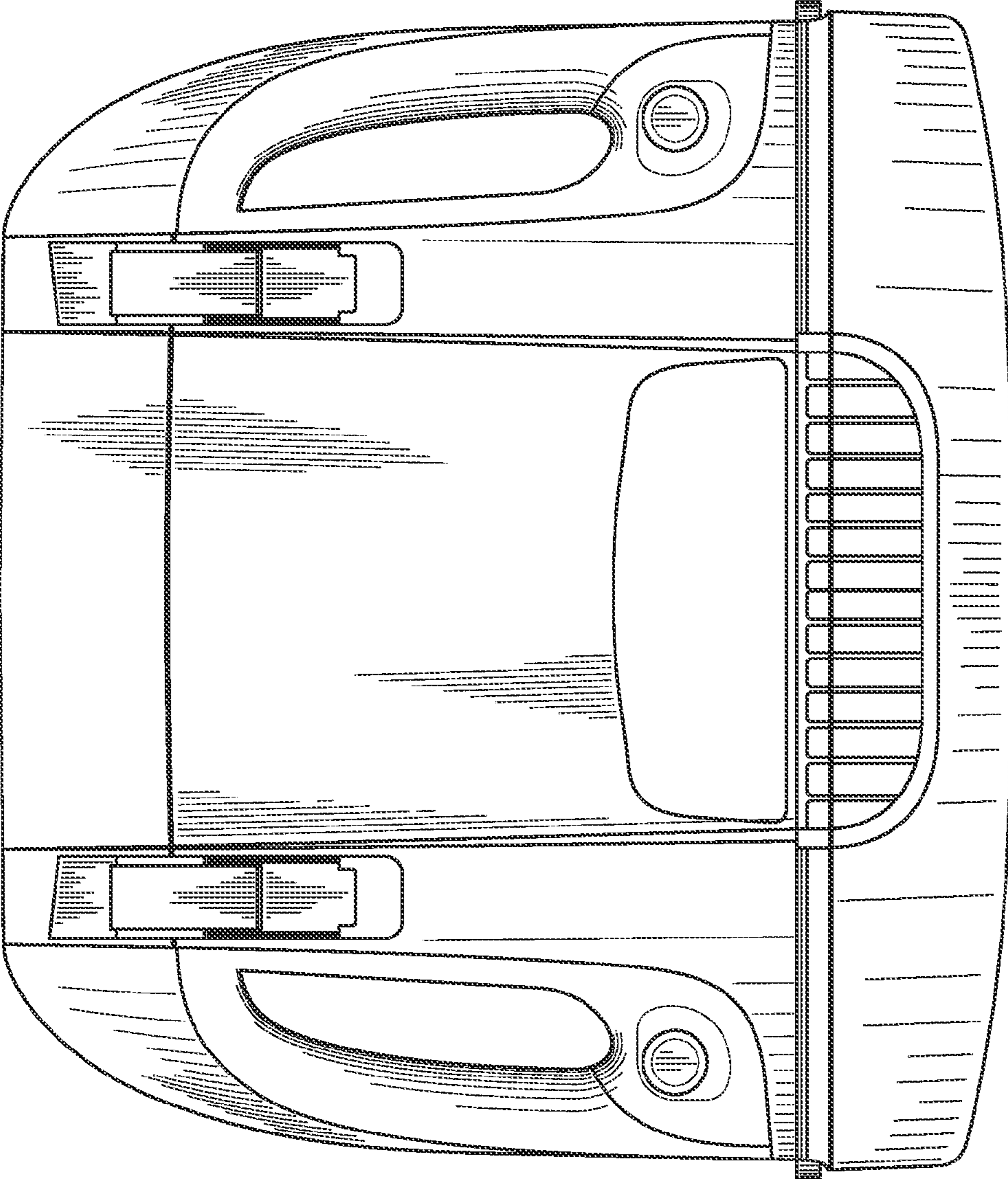


FIG. 2

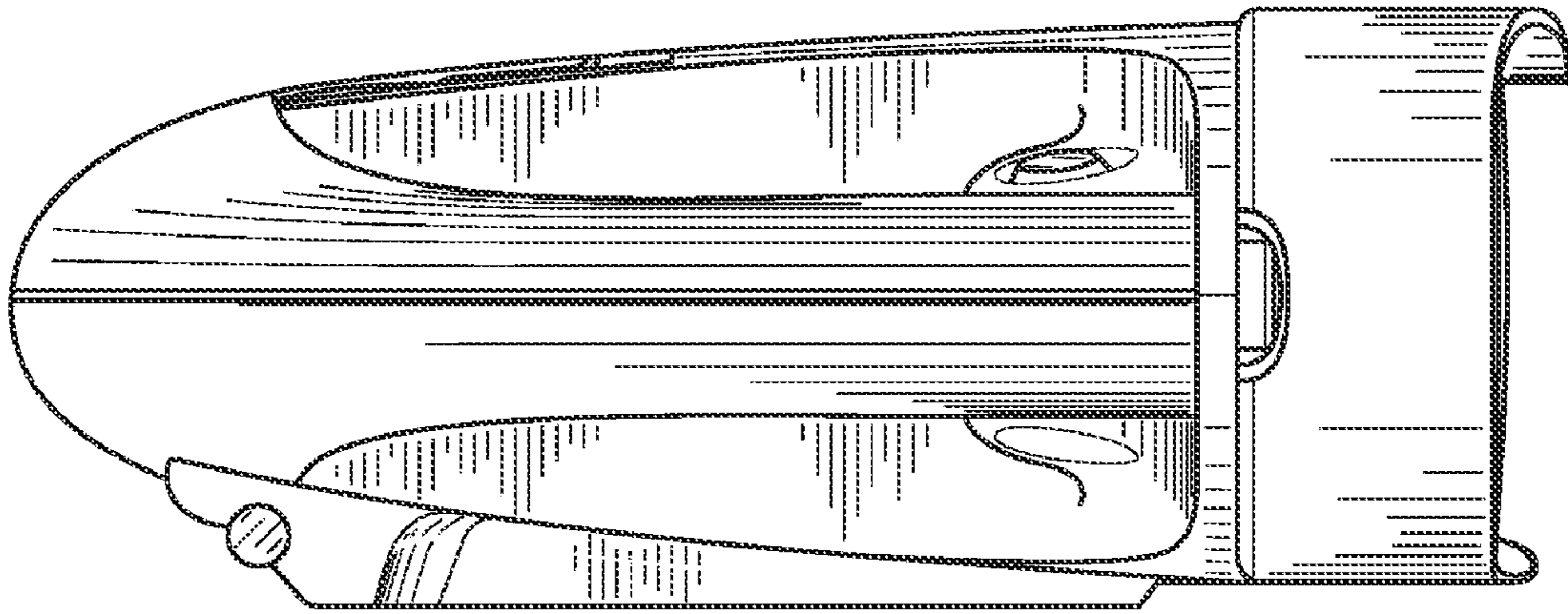


FIG. 3

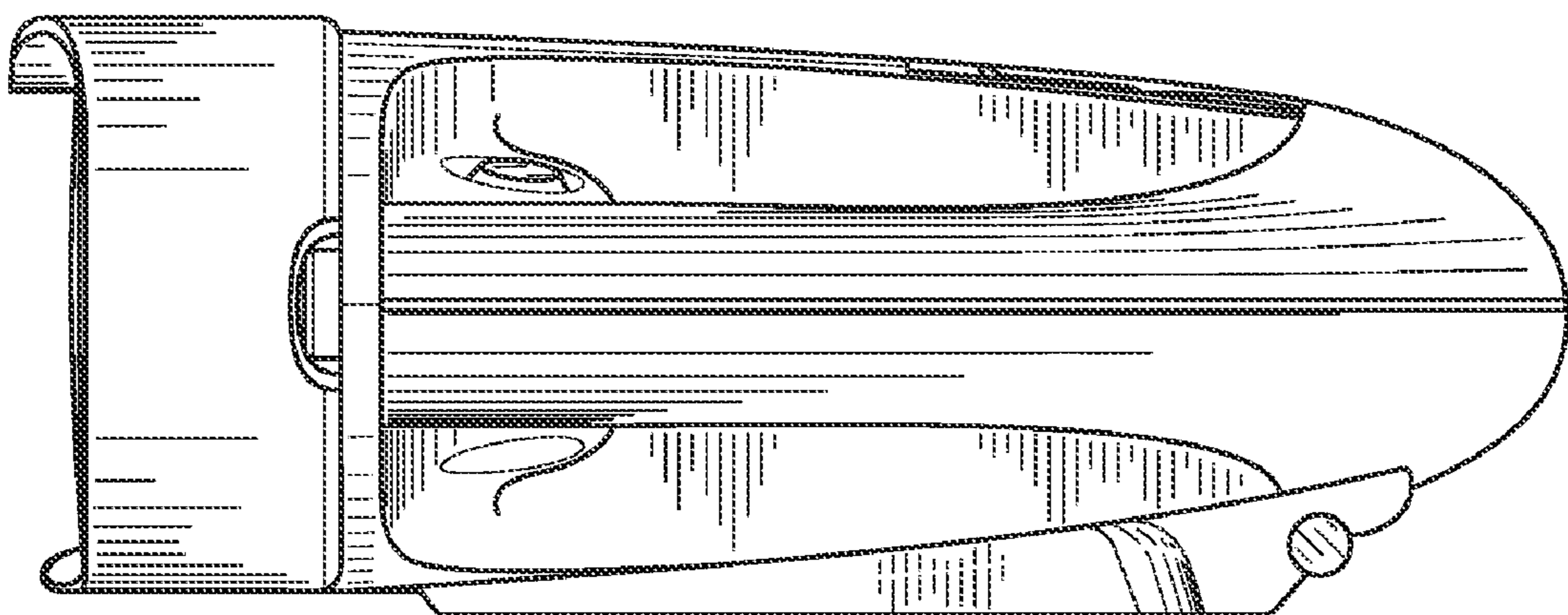


FIG. 4

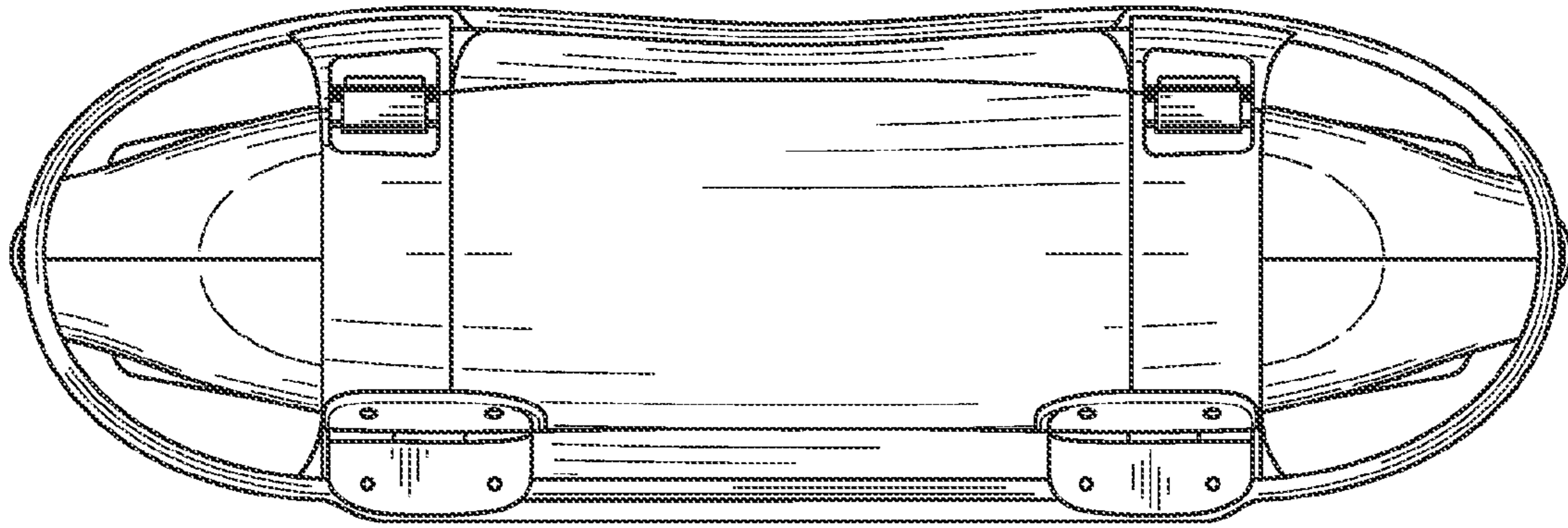


FIG. 5

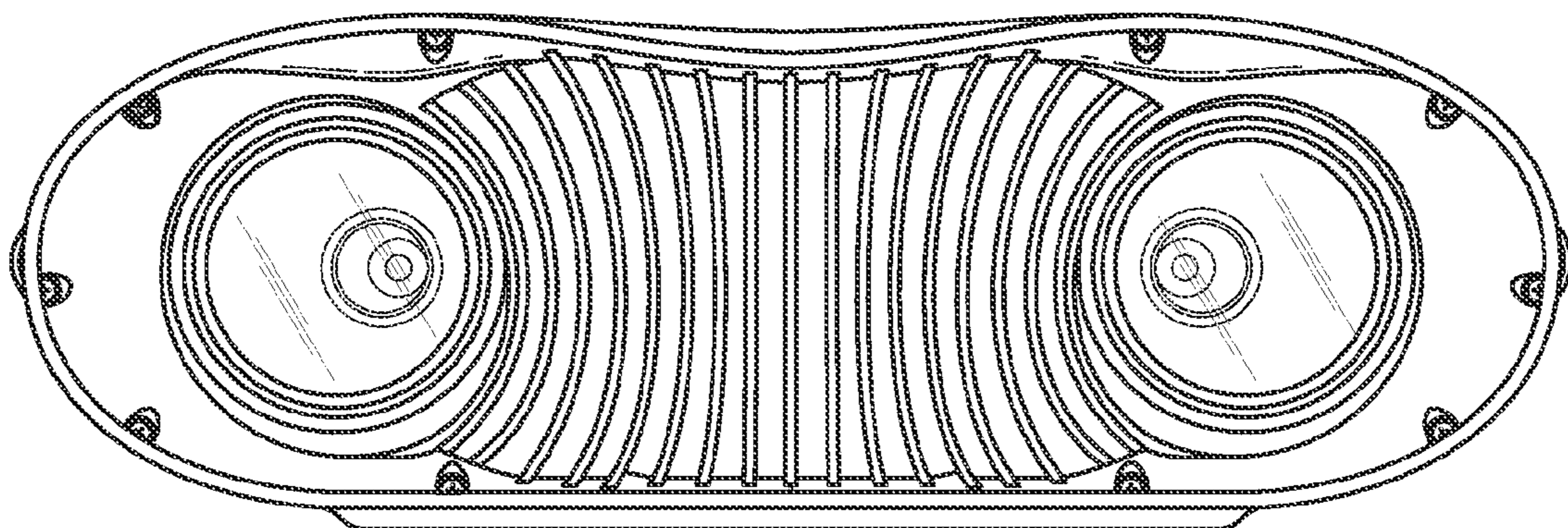


FIG. 6

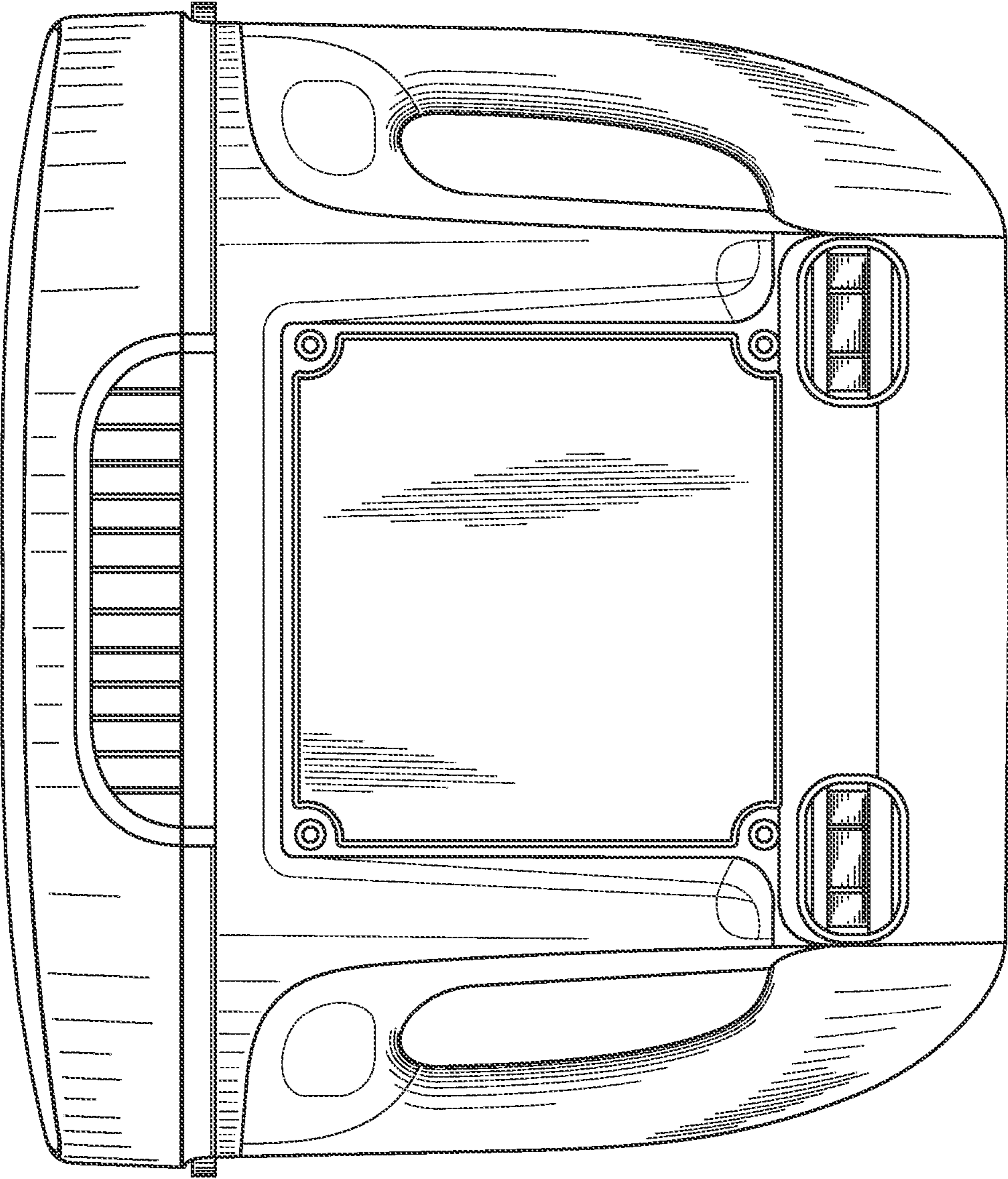


FIG. 7