



US00D637494S

(12) **United States Design Patent**
Coley, Jr. et al.

(10) **Patent No.:** **US D637,494 S**
(45) **Date of Patent:** **** May 10, 2011**

(54) **PORTION OF A BOTTLE**
(75) Inventors: **Ralph T. Coley, Jr.**, Cohasset, MA (US);
Robert Kleinrath,
Lakeville-Middleboro, MA (US);
Masaaki Sasaki, Matsudo (JP); **Takao**
Iizuka, Koto-ku (JP); **Michael T. Lane**,
Brooklyn, MI (US)

4,805,788 A 2/1989 Akiho
4,850,493 A 7/1989 Howard, Jr.
D308,482 S 6/1990 Wild
4,949,861 A 8/1990 Cochran
(Continued)

FOREIGN PATENT DOCUMENTS

JP 565158 3/1993
(Continued)

(73) Assignee: **Ocean Spray Cranberries, Inc.**,
Lakeville-Middleboro, MA (US)

OTHER PUBLICATIONS

Coley, Jr. et al., Parent U.S. Appl. No. 29/311,815, filed Jun. 30, 2009.

(Continued)

(**) Term: **14 Years**

(21) Appl. No.: **29/347,675**

(22) Filed: **Apr. 8, 2010**

Related U.S. Application Data

(62) Division of application No. 29/311,815, filed on Jun. 30, 2009, now abandoned.

(51) **LOC (9) Cl.** **09-01**

(52) **U.S. Cl.** **D9/516; D9/541; D9/542; D9/564;**
D9/565

(58) **Field of Classification Search** D9/516,
D9/520, 530, 531, 535, 536, 541, 542, 543,
D9/559, 560, 563, 564, 565, 566, 569, 570,
D9/571, 574; 215/379, 381-385

See application file for complete search history.

(56) **References Cited**

U.S. PATENT DOCUMENTS

D22,058 S	12/1892	Rockwood
D58,077 S	6/1921	Eckl
D62,784 S	7/1923	Marble
D64,125 S	12/1923	Miller
D68,732 S	11/1925	Root
3,784,040 A	1/1974	Douglas
D294,120 S	2/1988	Griesing et al.
D294,679 S	3/1988	Griesing et al.
D300,005 S	2/1989	Jacobs et al.

Primary Examiner — Stella M Reid

Assistant Examiner — Elizabeth J Oswecki

(74) *Attorney, Agent, or Firm* — Nixon & Vanderhye P.C.

(57) **CLAIM**

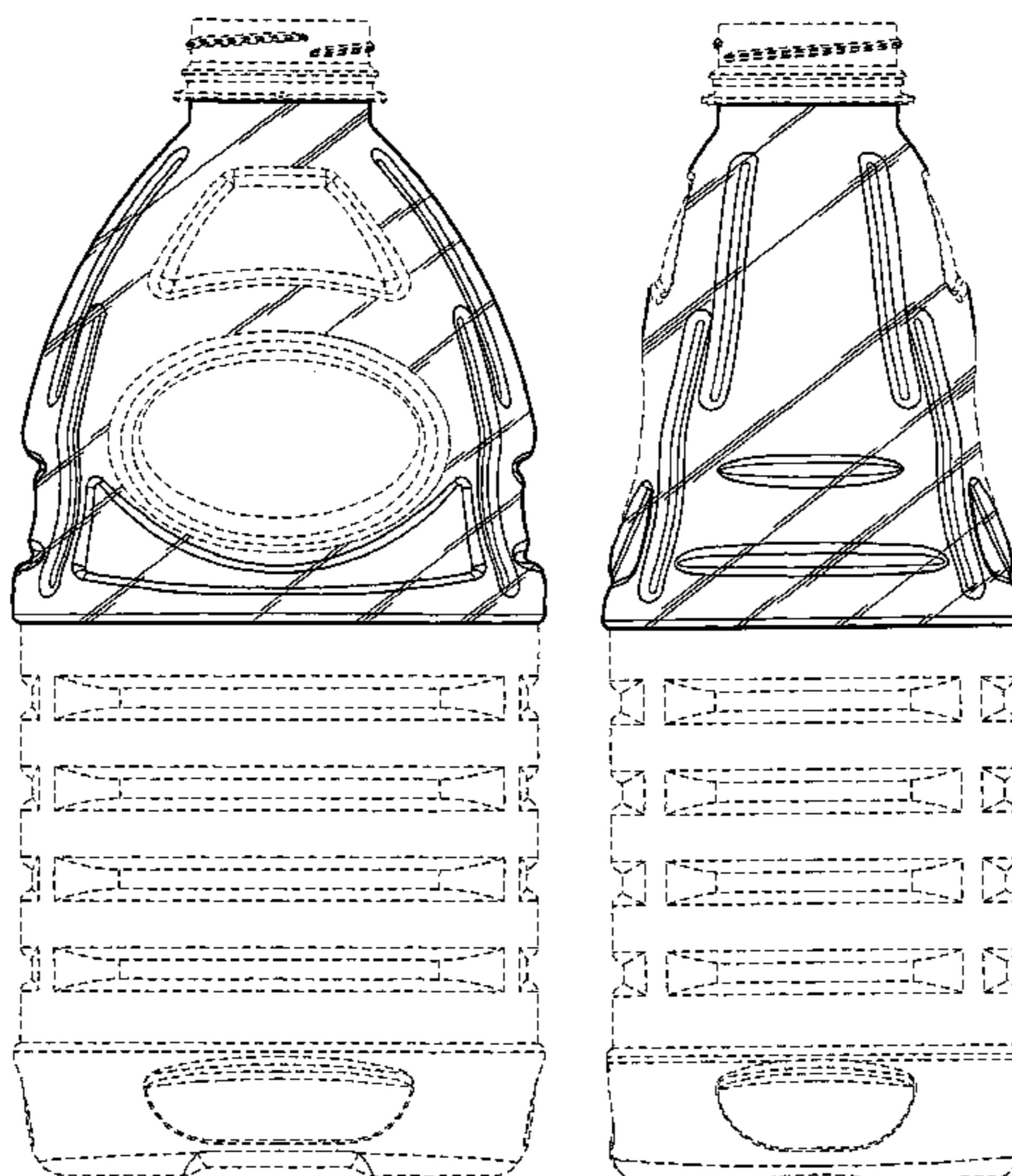
The ornamental design for a portion of a bottle, as shown and described.

DESCRIPTION

FIG. 1 is a front view of a portion of a bottle showing our new design, with the rear view being identical (with the exception of the phantom-line threaded portion on the neck); FIG. 2 is a left side view thereof, with the right side view thereof being identical (with the exception of the phantom-line threaded portion on the neck); and, FIG. 3 is a top view thereof.

Throughout the various figures of the drawings, certain views may not be provided. The omission of a particular view is intended to convey that the element(s) depicted is/are plain and unornamented in that omitted view, or that the particular ornamental appearance in that view is simply not claimed. Where included, broken lines showing environment or structure are for illustrative purposes only and form no part of the claimed design.

1 Claim, 3 Drawing Sheets



US D637,494 S

U.S. PATENT DOCUMENTS

D315,678	S	3/1991	Darr	
5,067,622	A	11/1991	Garver et al.	
5,158,817	A	10/1992	Krishnakumar	
5,217,128	A	6/1993	Stenger et al.	
5,222,615	A	6/1993	Ota et al.	
5,238,129	A	8/1993	Ota	
5,246,122	A	9/1993	Schick et al.	
5,269,437	A	12/1993	Gygax	
D346,556	S	5/1994	Sirico et al.	
D347,391	S	5/1994	Guertin	
5,337,909	A	8/1994	Vaillencourt	
D354,000	S	1/1995	Hoyt	
5,593,056	A	1/1997	Mero et al.	
D388,330	S	12/1997	Zimmer	
5,713,480	A	2/1998	Petre et al.	
D392,188	S	3/1998	Darr et al.	
5,732,838	A	3/1998	Young	
5,735,421	A	4/1998	Deemer et al.	
5,758,790	A	6/1998	Ewing, Jr.	
5,762,221	A	6/1998	Tobias et al.	
5,833,115	A	11/1998	Eiten	
5,848,516	A	12/1998	Ban	
5,908,127	A	6/1999	Weick et al.	
5,971,184	A	10/1999	Krishnakumar et al.	
5,988,417	A	11/1999	Chen et al.	
6,016,932	A	1/2000	Gaydosh et al.	
6,029,837	A	2/2000	Slat et al.	
D421,721	S	3/2000	Guertin	
6,095,360	A	8/2000	Shmagin et al.	
6,112,925	A	9/2000	Nahill et al.	
6,149,024	A	11/2000	Deemer et al.	
6,161,713	A	12/2000	Krich	
6,213,326	B1	4/2001	Denner et al.	
6,264,053	B1	7/2001	Slat	
D451,032	S	11/2001	Iizuka et al.	
D452,444	S	12/2001	Iizuka et al.	
D454,069	S	3/2002	Guislain	
D454,072	S	3/2002	Harrity et al.	
D459,234	S	6/2002	Bourque et al.	
6,467,639	B2	10/2002	Mooney	
6,569,376	B2	5/2003	Wurster et al.	
6,575,321	B2	6/2003	Bourque et al.	
D481,318	S	10/2003	Iizuka et al.	
6,637,612	B2	10/2003	Maczek	
6,662,961	B2	12/2003	Yourist	
6,666,001	B2	12/2003	Mero	
6,672,468	B1	1/2004	Mount et al.	
6,672,470	B2	1/2004	Wurster et al.	
6,749,075	B2	6/2004	Bourque et al.	
6,752,284	B1	6/2004	Akiyama et al.	
D503,627	S	4/2005	Johnston et al.	
D507,746	S	7/2005	Sasaki et al.	
6,913,405	B2	7/2005	Fischer et al.	
6,926,163	B2	8/2005	Darr et al.	
6,974,047	B2	12/2005	Kelley et al.	
6,981,604	B2	1/2006	Iizuka et al.	
6,997,336	B2	2/2006	Yourist et al.	
6,998,091	B2	2/2006	Iizuka et al.	
7,004,342	B2	2/2006	Bourque et al.	
7,017,763	B2	3/2006	Kelley	
7,055,711	B2	6/2006	Sasaki et al.	
7,059,486	B2	6/2006	Van Der Heijden et al.	
7,066,345	B2	6/2006	Itokawa et al.	
D525,527	S *	7/2006	Ogg D9/516	

D525,528	S	7/2006	Lane et al.	
D526,198	S	8/2006	Sasaki et al.	
D527,266	S	8/2006	Yourist et al.	
7,097,061	B2	8/2006	Simpson, Jr. et al.	
D528,421	S	9/2006	Sasaki et al.	
D528,427	S	9/2006	Sasaki et al.	
D533,782	S	12/2006	Ogg et al.	
D533,786	S *	12/2006	Ogg et al. D9/563	
D547,670	S	7/2007	Heisner	
D560,496	S	1/2008	Heisner	
D561,038	S	2/2008	Yourist et al.	
D564,359	S *	3/2008	Trollope et al. D9/552	
D564,890	S	3/2008	Coley et al.	
D565,962	S	4/2008	Sasaki et al.	
D568,167	S	5/2008	Sasaki et al.	
D568,169	S	5/2008	Sasaki et al.	
D569,257	S	5/2008	Yourist et al.	
D574,715	S	8/2008	Sasaki et al.	
D576,493	S *	9/2008	Coley et al. D9/516	
D577,594	S	9/2008	Sasaki et al.	
D578,400	S	10/2008	Sasaki et al.	
D582,284	S *	12/2008	Ogg D9/530	
D586,664	S *	2/2009	Darr et al. D9/745	
D589,803	S	4/2009	Sasaki et al.	
D593,417	S *	6/2009	Miller et al. D9/541	
D597,849	S *	8/2009	Aoyagi et al. D9/566	
D598,774	S	8/2009	Schlies et al.	
D598,782	S	8/2009	Sasaki et al.	
D601,426	S *	10/2009	Darr et al. D9/522	
D612,253	S *	3/2010	Shimamoto et al. D9/543	
D615,407	S *	5/2010	Shimamoto et al. D9/516	
D618,549	S *	6/2010	Boiros et al. D9/516	
D623,952	S *	9/2010	Yourist et al. D9/516	
2001/0037992	A1	11/2001	Tanabe et al.	
2003/0116526	A1	6/2003	Mehanna	
2003/0161980	A1	8/2003	Nelson	
2003/0205550	A1	11/2003	Prevot et al.	
2004/0129669	A1	7/2004	Kelley et al.	
2004/0164046	A1	8/2004	Kelley	
2004/0164047	A1	8/2004	White	
2005/0211660	A1	9/2005	Galownia et al.	
2005/0211661	A1	9/2005	Galownia et al.	
2005/0218107	A1	10/2005	Sabold et al.	
2006/0091102	A1 *	5/2006	Bourque et al. 215/382	
2006/0151425	A1 *	7/2006	Kelley et al. 215/381	
2006/0175283	A1	8/2006	Piccioli et al.	
2006/0207962	A1 *	9/2006	Coley et al. 215/384	
2007/0039918	A1 *	2/2007	Lane et al. 215/381	
2007/0045222	A1	3/2007	Denner et al.	
2007/0095785	A1 *	5/2007	Ishikawa et al. 215/398	
2007/0187354	A1 *	8/2007	Sasaki 215/384	

FOREIGN PATENT DOCUMENTS

WO WO 2004/094261 A1 11/2004

OTHER PUBLICATIONS

Coley, Jr., U.S. Appl. No. 29/311,818, filed Jun. 30, 2009.
 Coley, Jr., U.S. Appl. No. 12/458,114, filed Jun. 30, 2009.
 Iizuka et al., U.S. Appl. No. 60/144,243, filed Jul. 19, 1999.
 Screen Shot A from advertisement airing Mar. 3, 2008.
 Screen Shot B from advertisement airing Mar. 3, 2008.
 Screen Shot C from advertisement airing Mar. 23, 2009.
 Screen Shot D from advertisement airing Jan. 12, 2009.

* cited by examiner

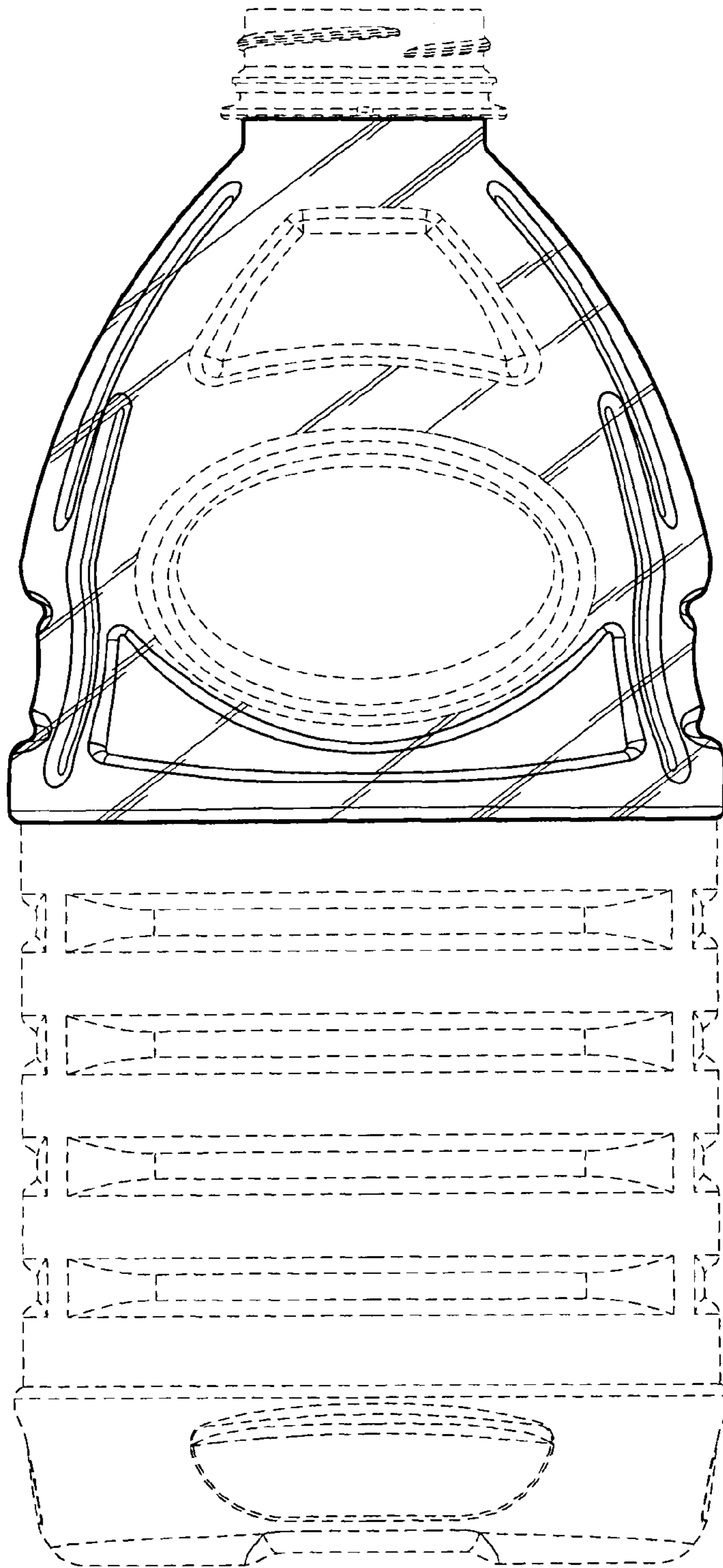


FIG. 1

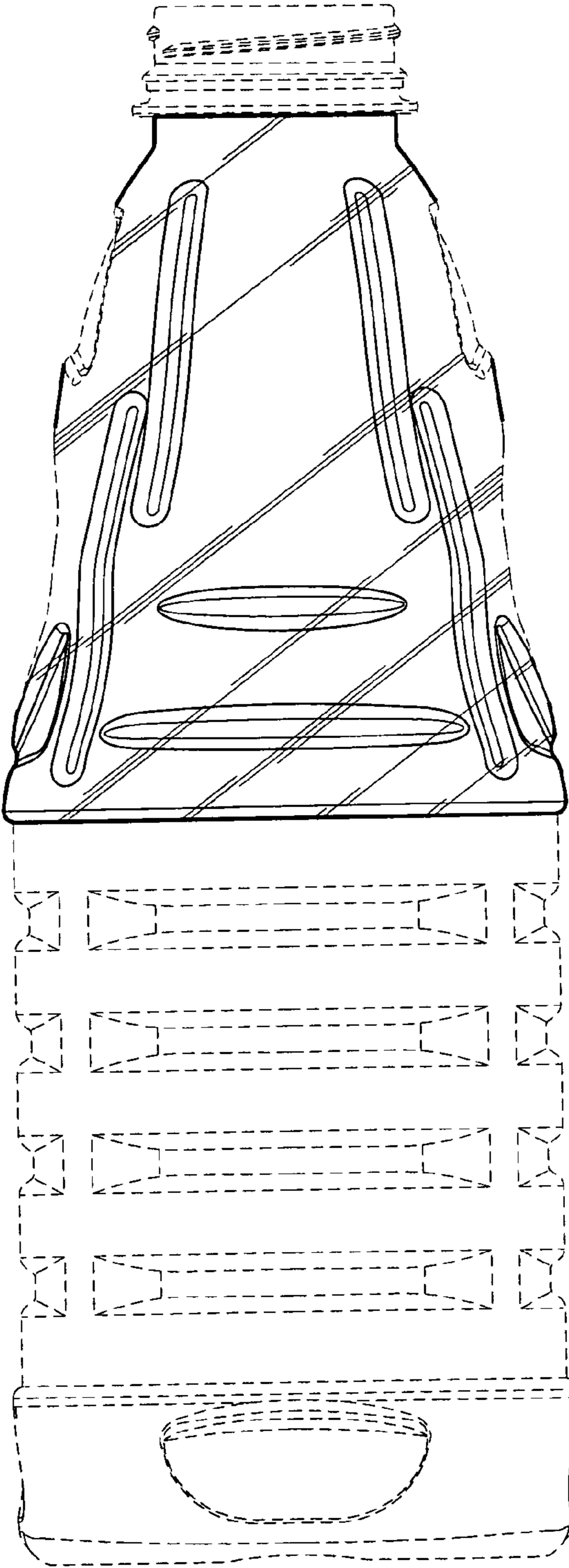


FIG. 2

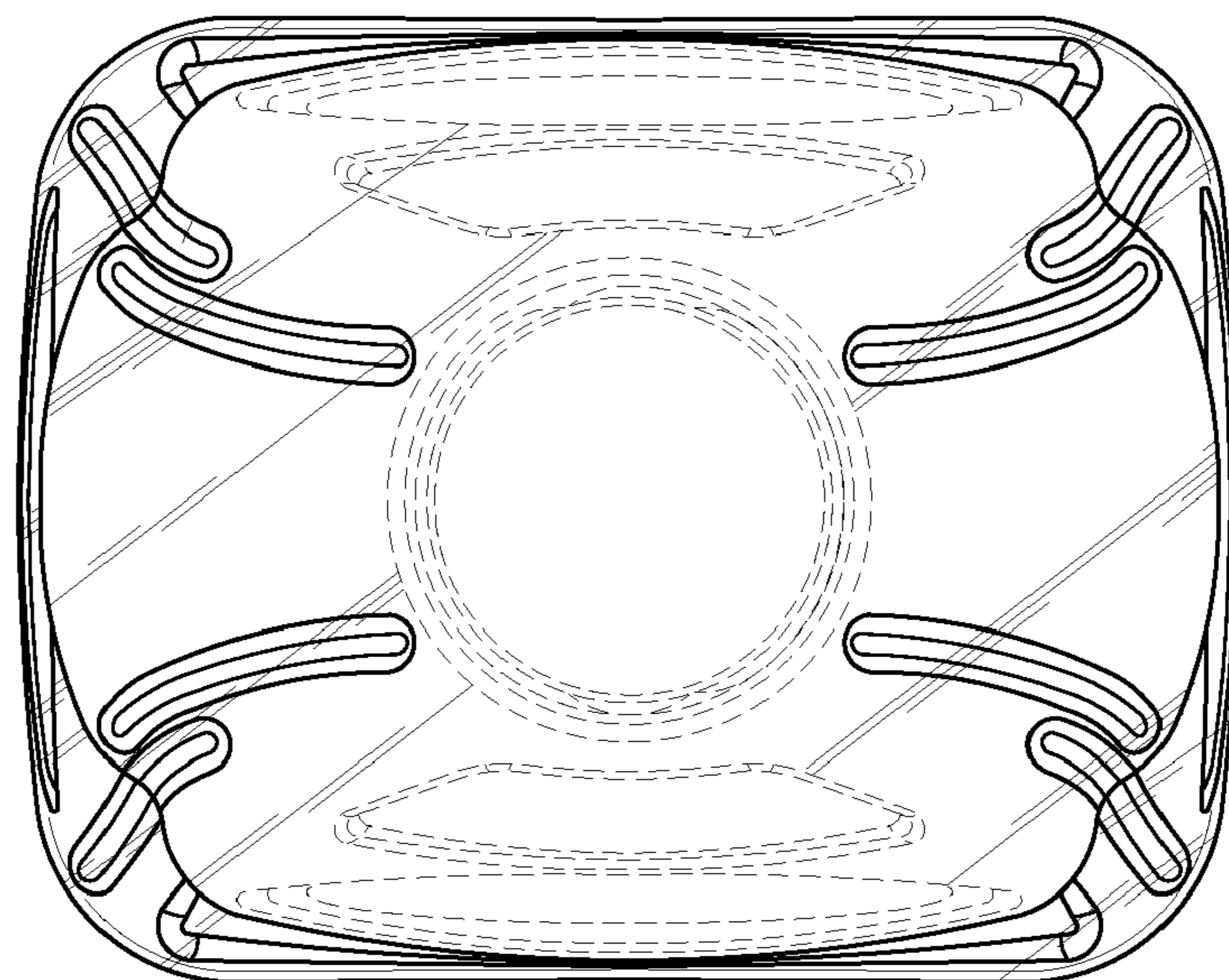


FIG. 3