



US00D637493S

(12) **United States Design Patent**
Furlong et al.

(10) **Patent No.:** **US D637,493 S**

(45) **Date of Patent:** **** May 10, 2011**

(54) **BEVERAGE BOTTLE**

(75) Inventors: **Brian D. Furlong**, Davidson, NC (US);
Bradley S. Hooley, Charlotte, NC (US)

(73) Assignee: **Rubbermaid Incorporated**,
Huntersville, NC (US)

(**) Term: **14 Years**

(21) Appl. No.: **29/343,947**

(22) Filed: **Sep. 22, 2009**

(51) **LOC (9) Cl.** **09-01**

(52) **U.S. Cl.** **D9/516; D9/552**

(58) **Field of Classification Search** D9/516,
D9/530, 537, 539, 540, 549, 551, 552, 558,
D9/571, 574, 434, 554; 215/381-385, 379;
220/660, 669; D7/509, 510, 511, 396.2,
D7/396.3, 392.1

See application file for complete search history.

(56) **References Cited**

U.S. PATENT DOCUMENTS

D182,461 S	4/1958	Funkey	
D189,586 S	1/1961	Nalle et al.	
D198,510 S	6/1964	Hedgecock	
D198,870 S	8/1964	Hedgecock	
D200,018 S *	1/1965	Brocken	D7/321
D204,783 S	5/1966	Johnson	
D205,250 S	7/1966	Ballard	
D212,351 S	10/1968	Strobe	
3,606,262 A	9/1971	Vant Hoff	
D229,008 S	11/1973	Bateman	
D259,022 S	4/1981	Weckman	
D333,268 S *	2/1993	Arlinghaus et al.	D9/538
D390,422 S	2/1998	Daenen et al.	
D399,428 S	10/1998	Ramsey	
D404,255 S *	1/1999	Asberg	D7/511
D419,058 S *	1/2000	Roth et al.	D9/668
D429,166 S *	8/2000	Ogg	D9/552
D468,753 S *	1/2003	Fergusson	D15/21
D469,697 S	2/2003	Herrin et al.	

D473,426 S	4/2003	Jalet et al.	
D474,077 S	5/2003	Hatsumoto	
D474,367 S	5/2003	Turchi et al.	
D475,578 S	6/2003	Hurlbut et al.	
D479,095 S	9/2003	Webb	
6,662,961 B2 *	12/2003	Yourist	215/382
D489,621 S *	5/2004	Grisdale et al.	D9/516
D491,021 S	6/2004	Webb	
D493,668 S	8/2004	Hsu	
D494,473 S *	8/2004	Yourist	D9/516
D507,152 S	7/2005	Trombly	
D507,187 S *	7/2005	Yourist	D9/681
D510,025 S *	9/2005	Venkataraman et al.	D9/516
D512,874 S	12/2005	Poulson et al.	
D521,803 S	5/2006	Bieger	
D533,994 S	12/2006	Hussaini et al.	
D539,092 S	3/2007	Norris et al.	
D545,198 S *	6/2007	Hatcher et al.	D9/516
D549,103 S	8/2007	Kuethe et al.	
D565,352 S *	4/2008	Williams	D7/510

(Continued)

Primary Examiner — Stella M Reid

Assistant Examiner — Elizabeth J Oswecki

(74) *Attorney, Agent, or Firm* — Lempia Summerfield Katz
LLC

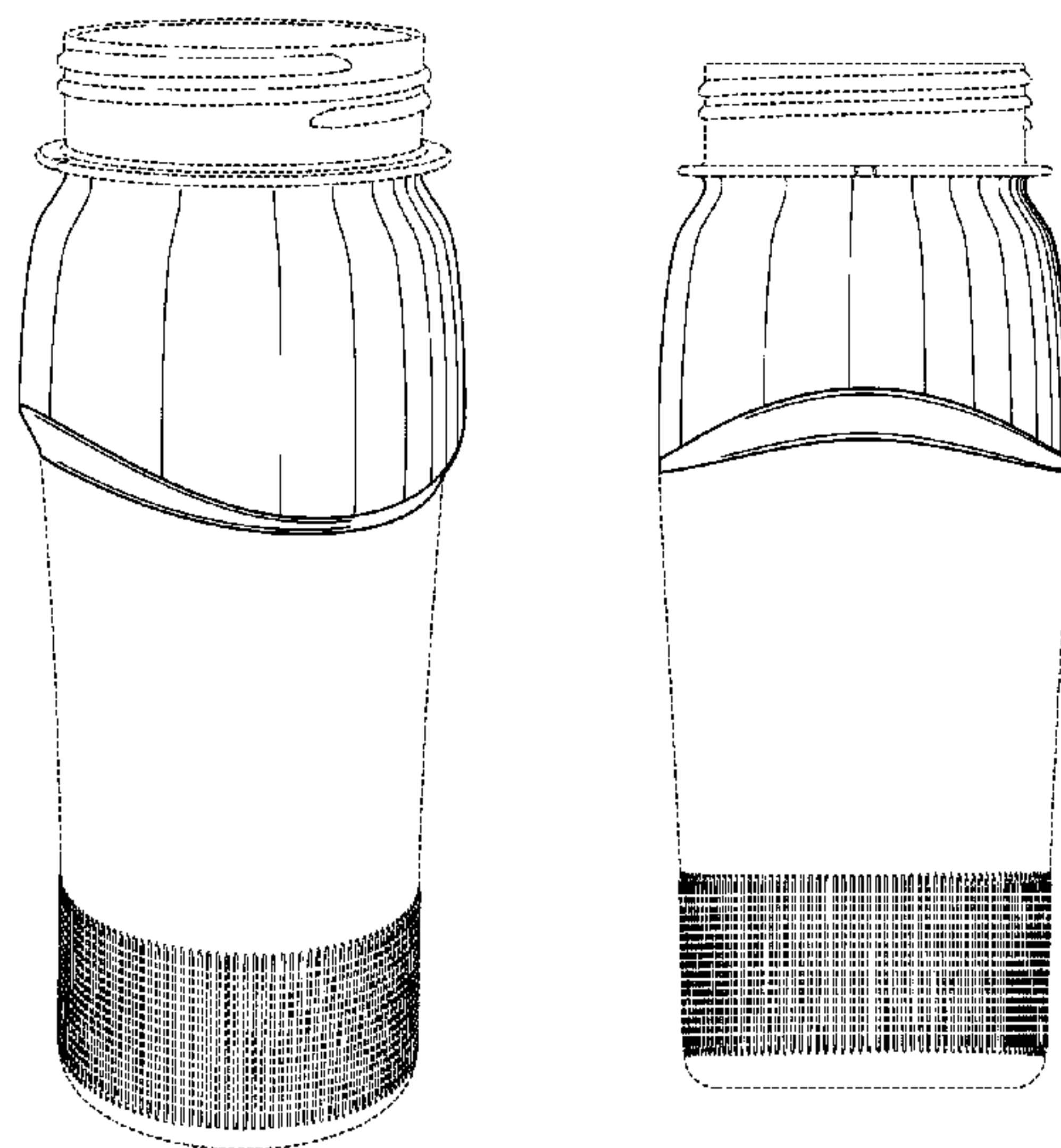
(57) **CLAIM**

The ornamental design for a beverage bottle, as shown and described.

DESCRIPTION

FIG. 1 is a top, front, and left side perspective view showing our new design for a beverage bottle;
FIG. 2 is a front view of the beverage bottle shown in FIG. 1, the rear view being a mirror image thereof;
FIG. 3 is a left side view of the beverage bottle shown in FIG. 1, the right side view being a mirror image thereof;
FIG. 4 is a top view thereof; and,
FIG. 5 is a bottom view thereof.
The subject matter shown in dashed lines are for illustrative purposes only and form no part of the claimed design.

1 Claim, 2 Drawing Sheets



US D637,493 S

Page 2

U.S. PATENT DOCUMENTS

D566,469 S *	4/2008	Tien	D7/510	D593,367 S *	6/2009	Brooks	D7/529
D567,092 S *	4/2008	Venkataraman et al.	D9/516	D593,861 S *	6/2009	Sparks et al.	D9/516
D568,753 S *	5/2008	Woolf	D9/551	D595,143 S *	6/2009	Hazelton et al.	D9/551
D569,188 S	5/2008	Tornqvist		D596,458 S	7/2009	McKinney et al.	
D570,220 S *	6/2008	Venkataraman et al.	D9/516	D599,667 S *	9/2009	Gedmin	D9/516
D571,215 S *	6/2008	Venkataraman et al.	D9/516	D608,216 S *	1/2010	Priore et al.	D9/667
D573,470 S *	7/2008	Bradley et al.	D9/516	D610,010 S	2/2010	Schwartz et al.	
D573,840 S	7/2008	Kramer		D611,349 S *	3/2010	Shah et al.	D9/516
D574,191 S	8/2008	Ablo		D613,170 S *	4/2010	Lewis et al.	D9/516
D586,216 S *	2/2009	Crawford	D9/516	D613,610 S	4/2010	Wu	
D588,917 S *	3/2009	Shmagin	D9/516	D619,010 S *	7/2010	Wasson et al.	D9/538
D592,969 S *	5/2009	Hazelton et al.	D9/601	2006/0131259 A1 *	6/2006	Hatcher et al.	215/381

* cited by examiner

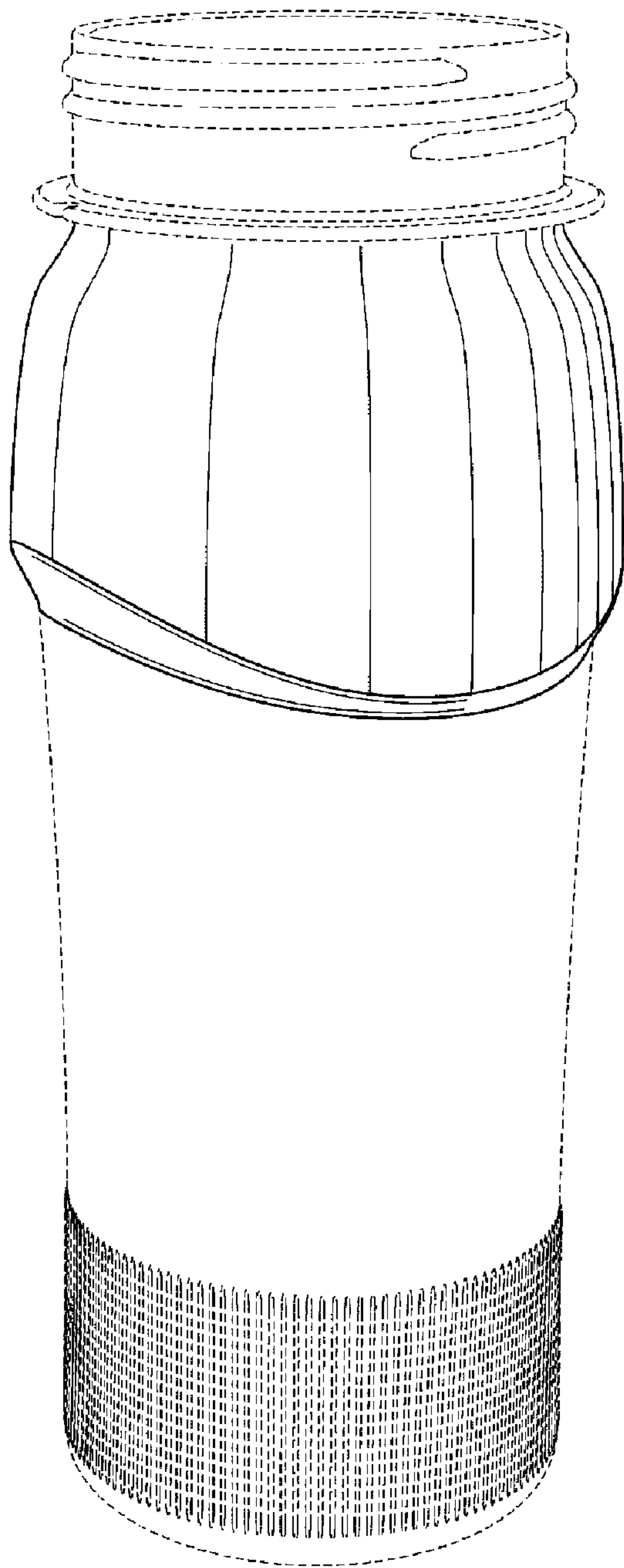


FIG. 1

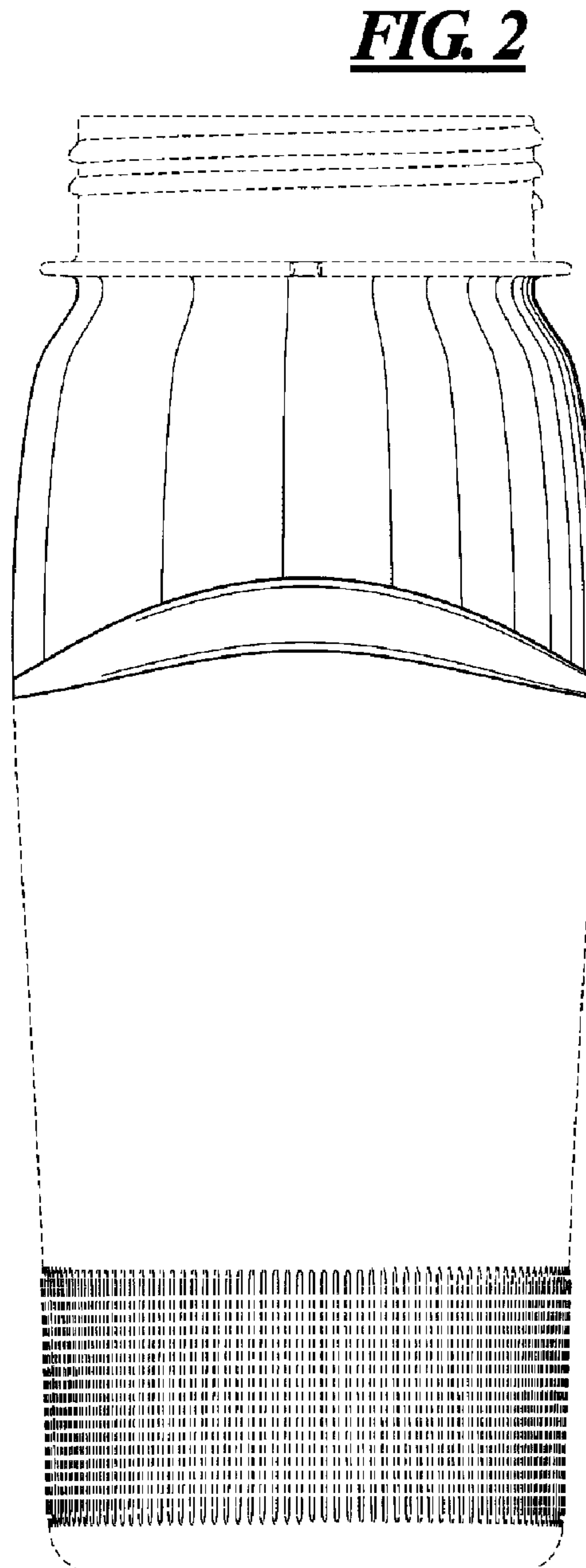


FIG. 2

FIG. 3

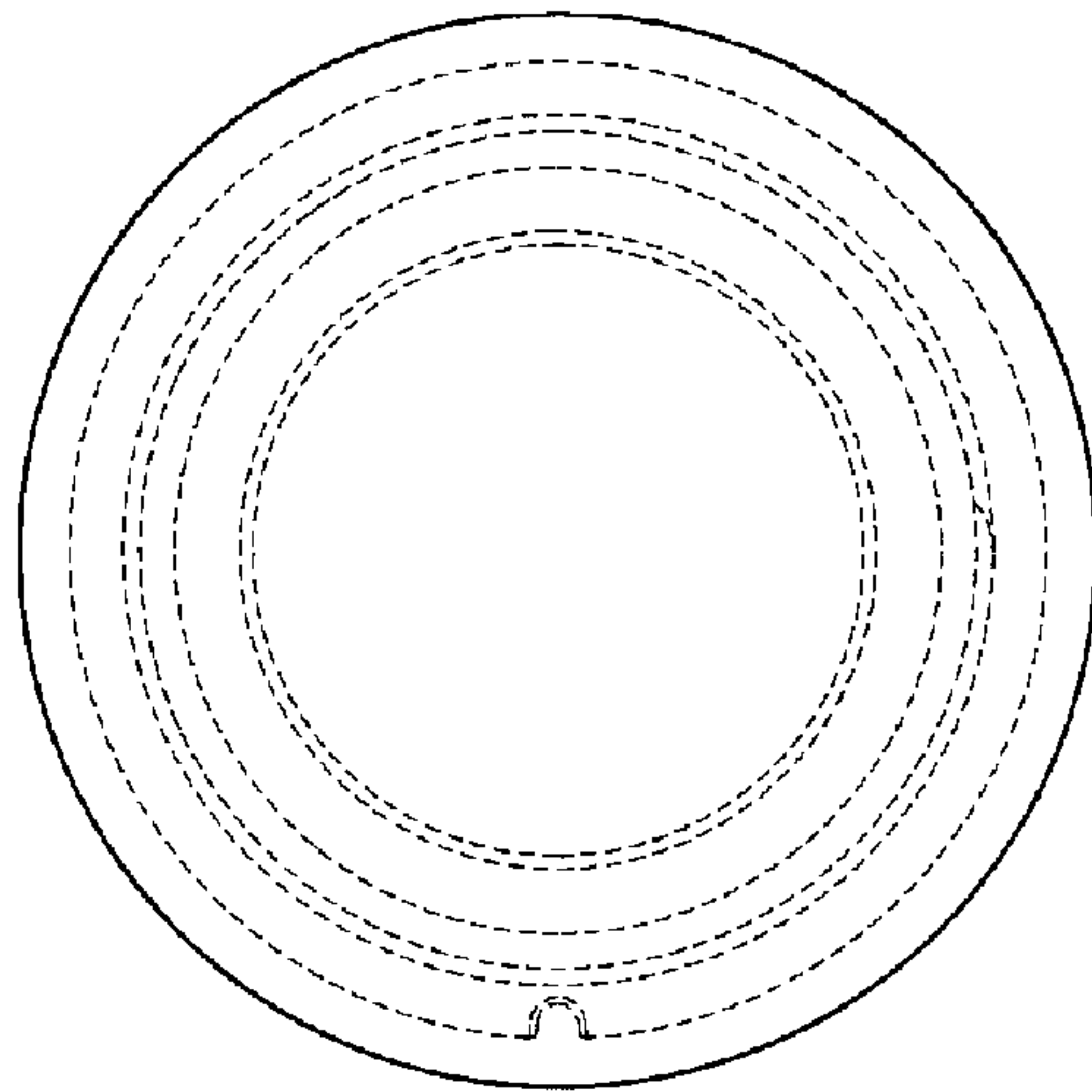
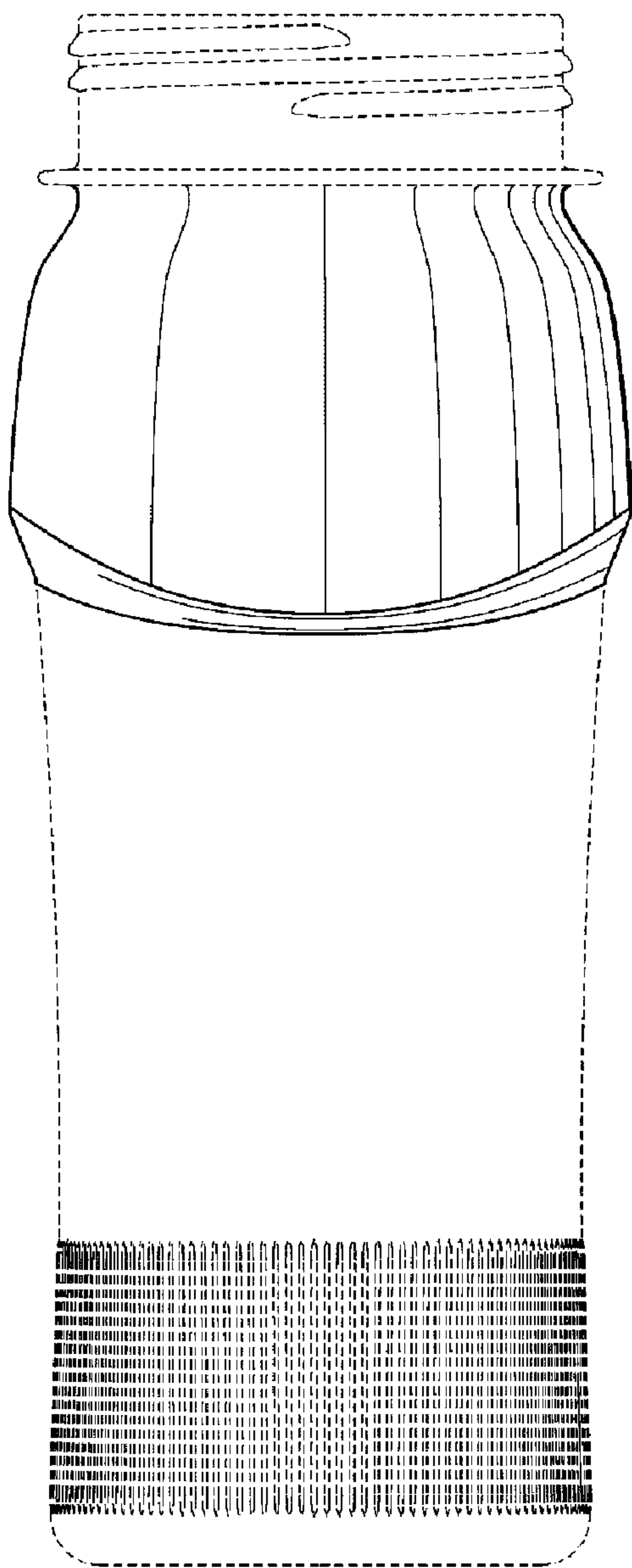


FIG. 4

FIG. 5

