



US00D637492S

(12) **United States Design Patent**  
**Baird et al.**

(10) **Patent No.:** **US D637,492 S**

(45) **Date of Patent:** **\*\* May 10, 2011**

(54) **CONICAL CENTRIFUGE BOTTLE**

(75) Inventors: **Peter Kevin Baird**, Honeoye Falls, NY (US); **Keith Owen Whittlinger**, Penfield, NY (US)

(73) Assignee: **Nalge Nunc International Corporation**, Rochester, NY (US)

(\*\*) Term: **14 Years**

(21) Appl. No.: **29/357,201**

(22) Filed: **Mar. 9, 2010**

(51) **LOC (9) Cl.** ..... **09-01**

(52) **U.S. Cl.** ..... **D9/500; D9/521; D24/224**

(58) **Field of Classification Search** ..... D9/500, D9/502-505, 516, 521, 545, 547, 549, 558, D9/690-691, 778; D10/101, 107; D24/219, D24/224

See application file for complete search history.

(56) **References Cited**

U.S. PATENT DOCUMENTS

D42,287 S	3/1912	Ingram	
D47,278 S *	4/1915	Weicker	D9/500
D53,909 S	10/1919	Hitzeman	
D63,796 S *	1/1924	Mulholland	D10/107
1,879,820 A *	9/1932	Perry	215/371
D207,924 S	6/1967	Revillon	
3,342,379 A	9/1967	Foley	
D209,951 S *	1/1968	Smith	D9/500
D212,585 S *	11/1968	Joy	D9/521 X
D213,897 S *	4/1969	Swampscott	D9/521 X
D232,355 S	8/1974	Wiedmann	
D244,562 S	5/1977	Hagglund et al.	
D247,578 S *	3/1978	Sponseller	D24/224
D255,492 S	6/1980	Meierhoefer	
D258,534 S *	3/1981	Nagel	D24/224
D265,549 S	7/1982	Houts et al.	
D286,468 S *	11/1986	Fuchs	D9/547 X
D302,722 S *	8/1989	Baxter	D24/224
D304,997 S *	12/1989	Baxter	D24/224
D307,052 S	4/1990	Baxter	
D312,128 S *	11/1990	Headley	D24/219
D319,407 S *	8/1991	Paulovitz et al.	D10/107

D340,993 S *	11/1993	Bellotti	D24/224
D345,114 S	3/1994	Puls	
5,382,409 A *	1/1995	Baxter	422/102
D355,604 S	2/1995	De Baschmakoff	
D357,645 S *	4/1995	Wang	D9/503 X
D358,468 S *	5/1995	Howard	D24/122
D363,985 S	11/1995	Van Hovel et al.	
5,470,537 A *	11/1995	Siegel	215/395 X
D377,586 S *	1/1997	McBride	D10/107 X
D395,239 S	6/1998	Davis	
D401,115 S *	11/1998	Huang	D9/547 X

(Continued)

*Primary Examiner* — Carol Rademaker

(74) *Attorney, Agent, or Firm* — Wood, Herron & Evans, LLP

(57) **CLAIM**

The ornamental design for a conical centrifuge bottle, as shown and described.

**DESCRIPTION**

FIG. 1 is a top, front, and left side isometric view of a new conical centrifuge bottle, shown with unclaimed environment of a cap and measurement markings;

FIG. 2 is a front elevational view thereof;

FIG. 3 is a top, front, and left side isometric view of the conical centrifuge bottle of FIG. 1, shown with the unclaimed environment removed;

FIG. 4 is a front elevational view thereof;

FIG. 5 is a right side elevational view thereof;

FIG. 6 is a rear elevational view thereof;

FIG. 7 is a left side elevational view thereof;

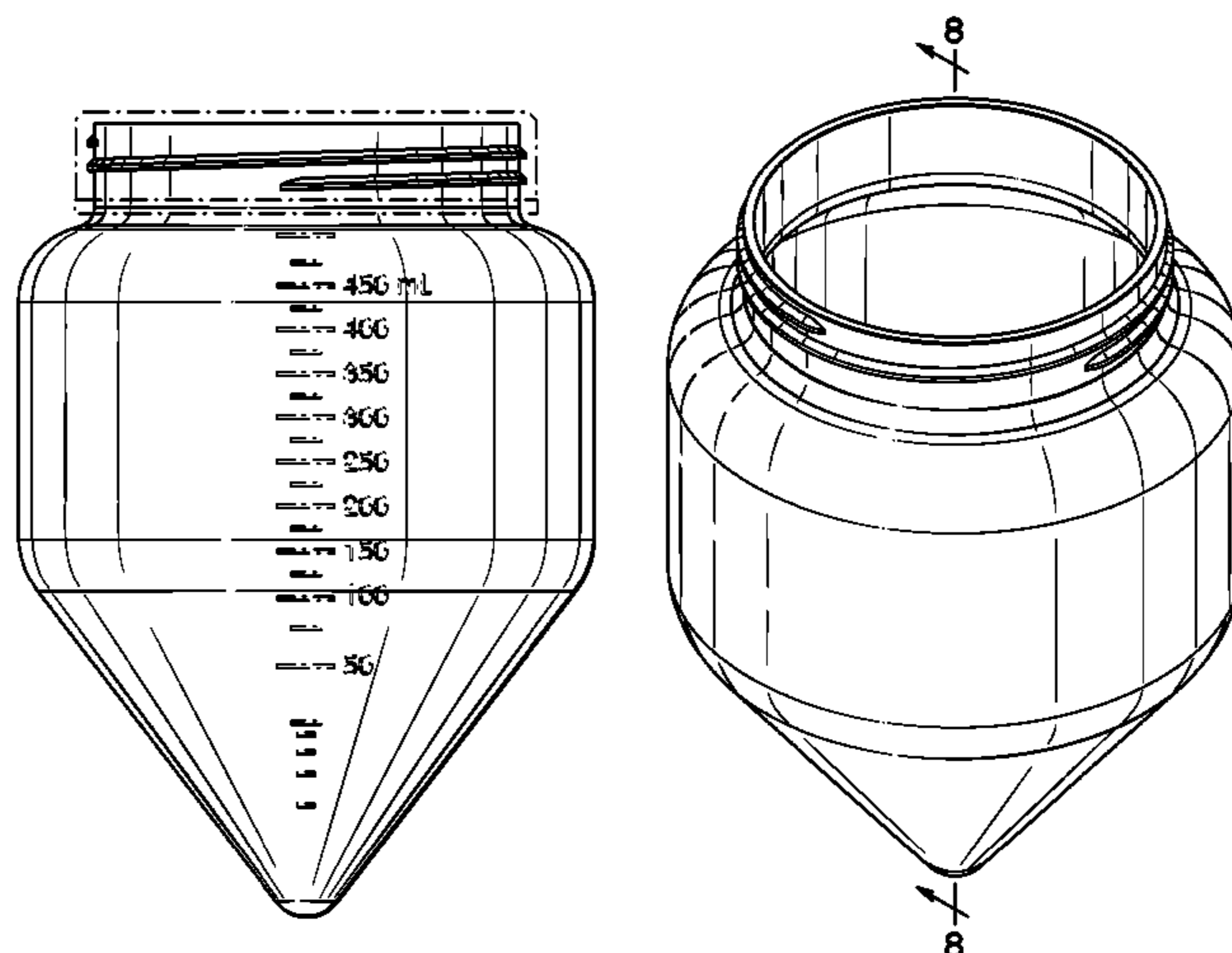
FIG. 8 is a cross-sectional view taken along line 8—8 in FIG. 3;

FIG. 9 is a top plan view of the conical centrifuge bottle of FIG. 3; and,

FIG. 10 is a bottom plan view thereof.

The broken line showing of a cap and of measurement markings in drawing FIGS. 1 & 2 is included for the purpose of illustrating environmental structure and forms no part of the claimed design.

**1 Claim, 3 Drawing Sheets**



# US D637,492 S

Page 2

---

## U.S. PATENT DOCUMENTS

D402,545 S	12/1998	Kerdoon et al.		D567,660 S	4/2008	Gautier
D447,419 S *	9/2001	Jaketic .....	D9/521	D589,805 S	4/2009	Kunesh et al.
D453,573 S *	2/2002	Lafond et al. ....	D24/224	D602,785 S	10/2009	Rothberg et al.
D453,837 S *	2/2002	Lodge .....	D24/224	D607,731 S	1/2010	Soliman
D492,603 S	7/2004	Rashid		D615,866 S	5/2010	Lepoitevin
D517,919 S *	3/2006	Walters .....	D9/521			

\* cited by examiner

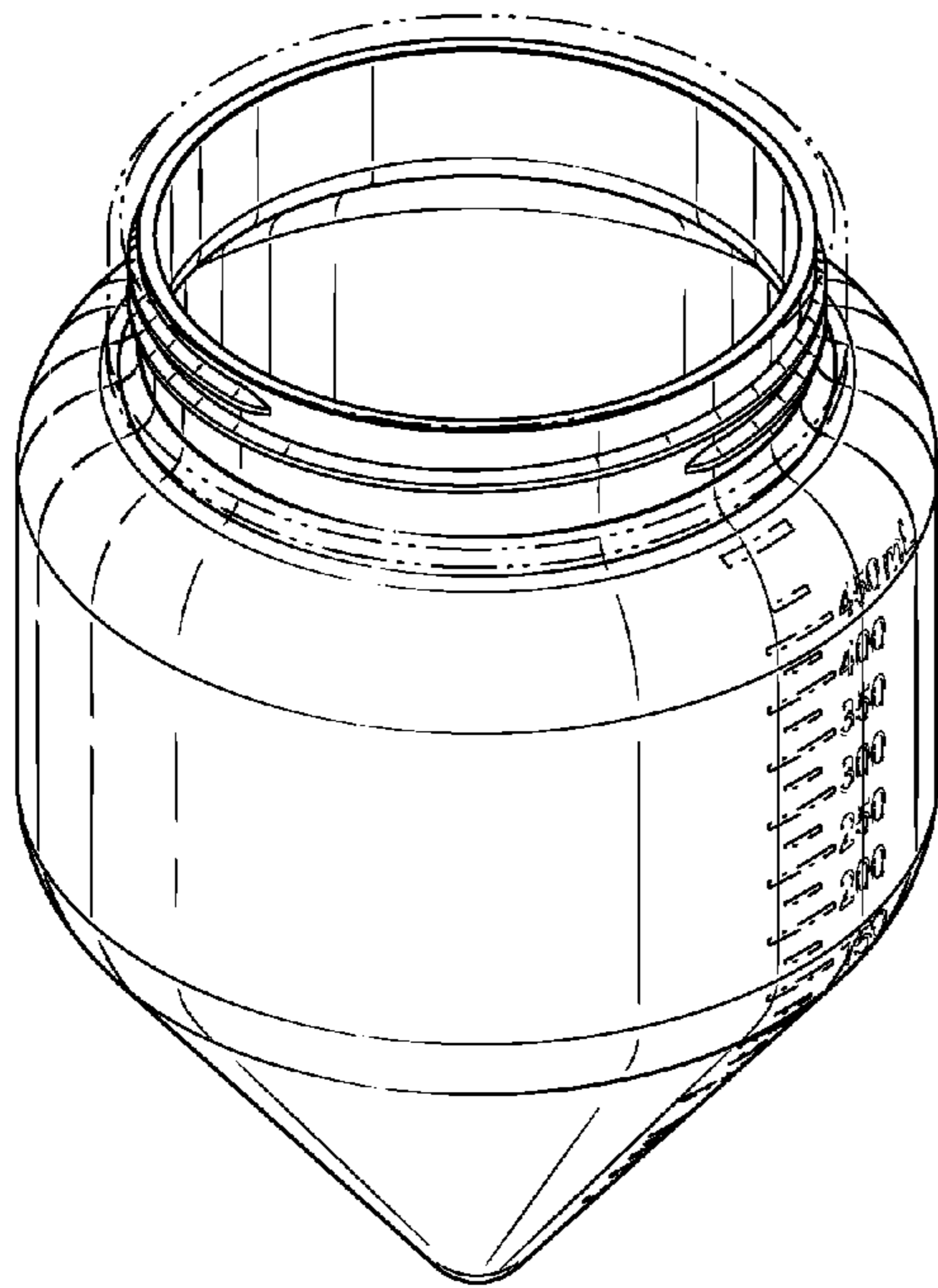


FIG. 1

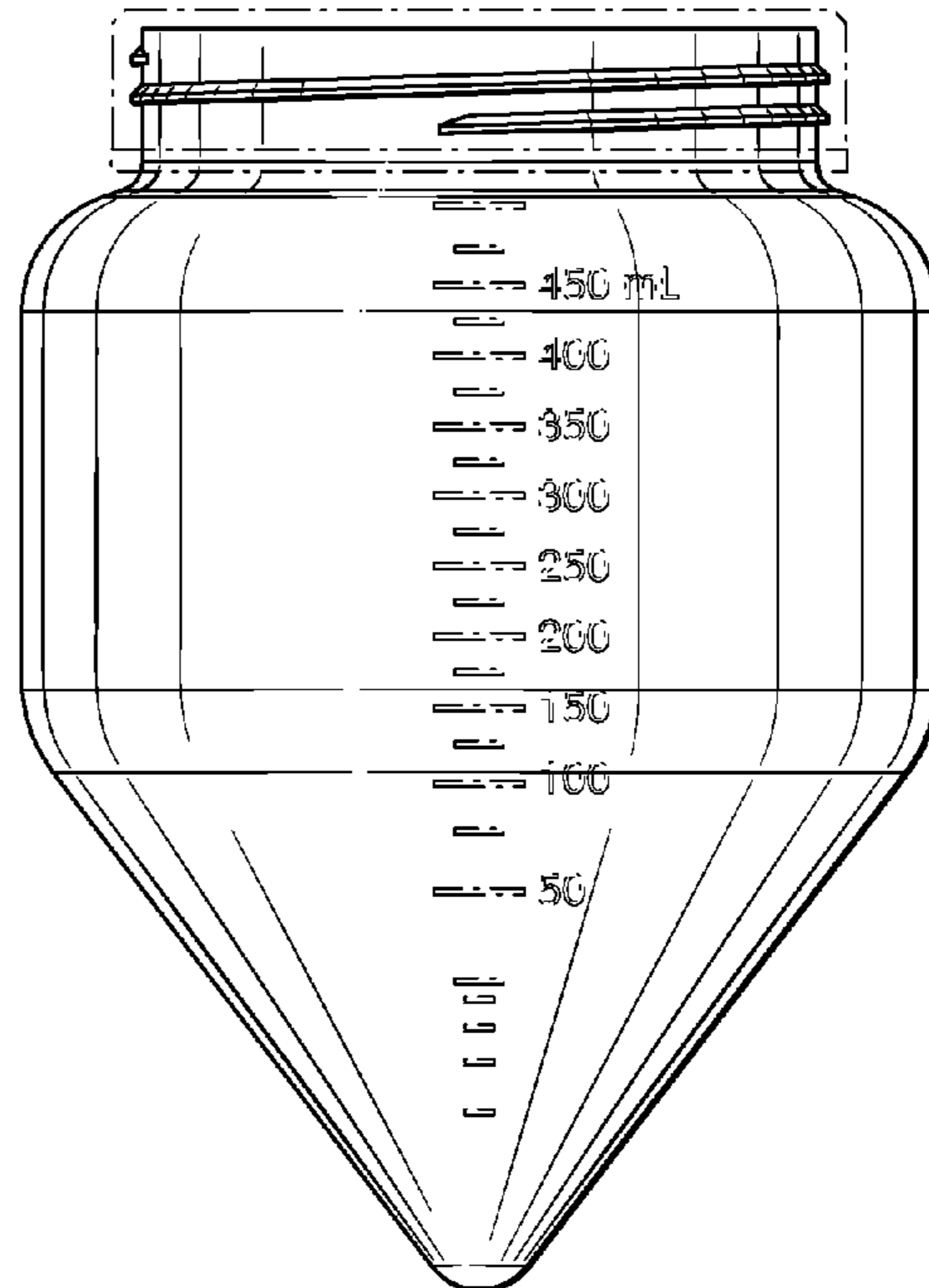
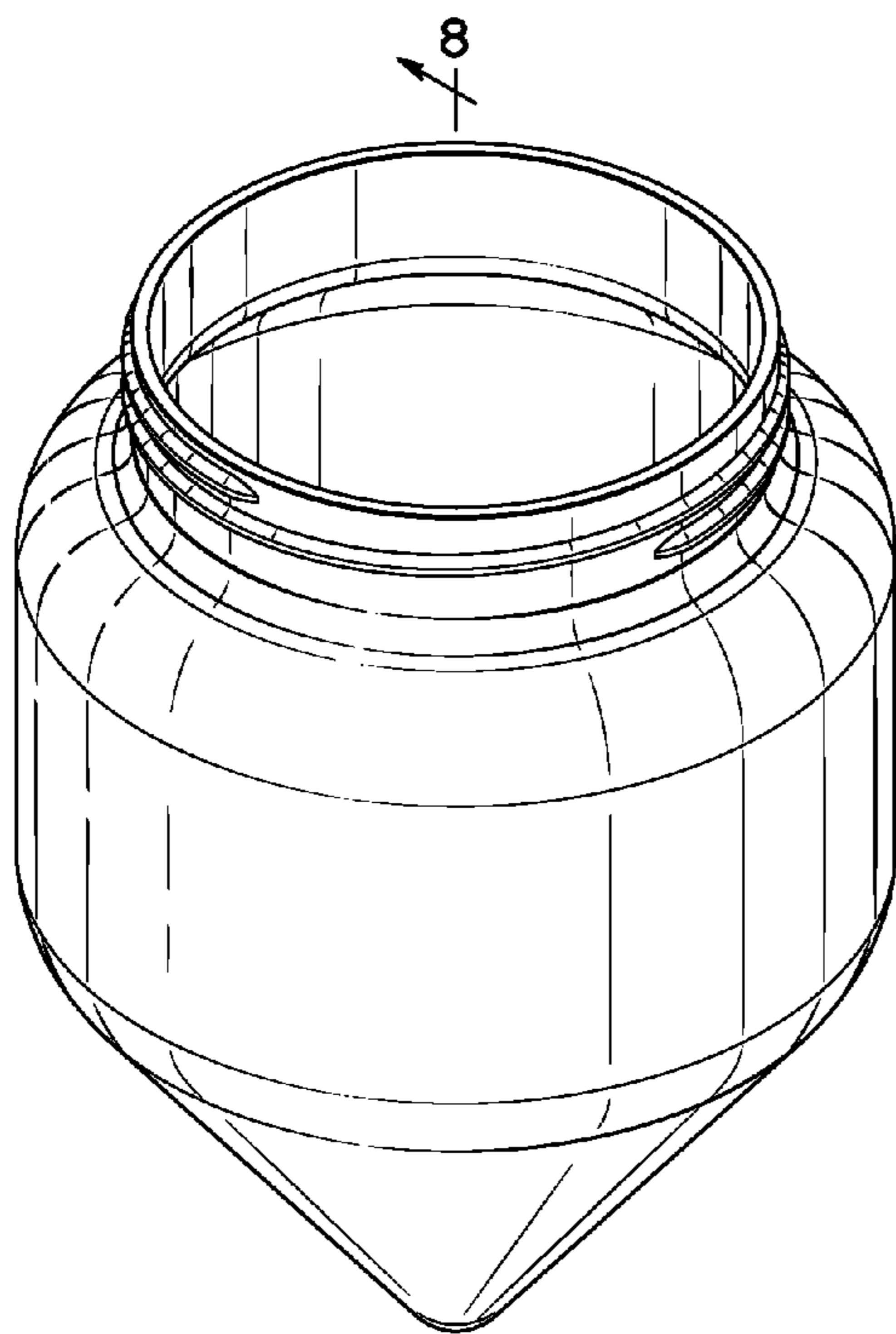


FIG. 2



8  
FIG. 3

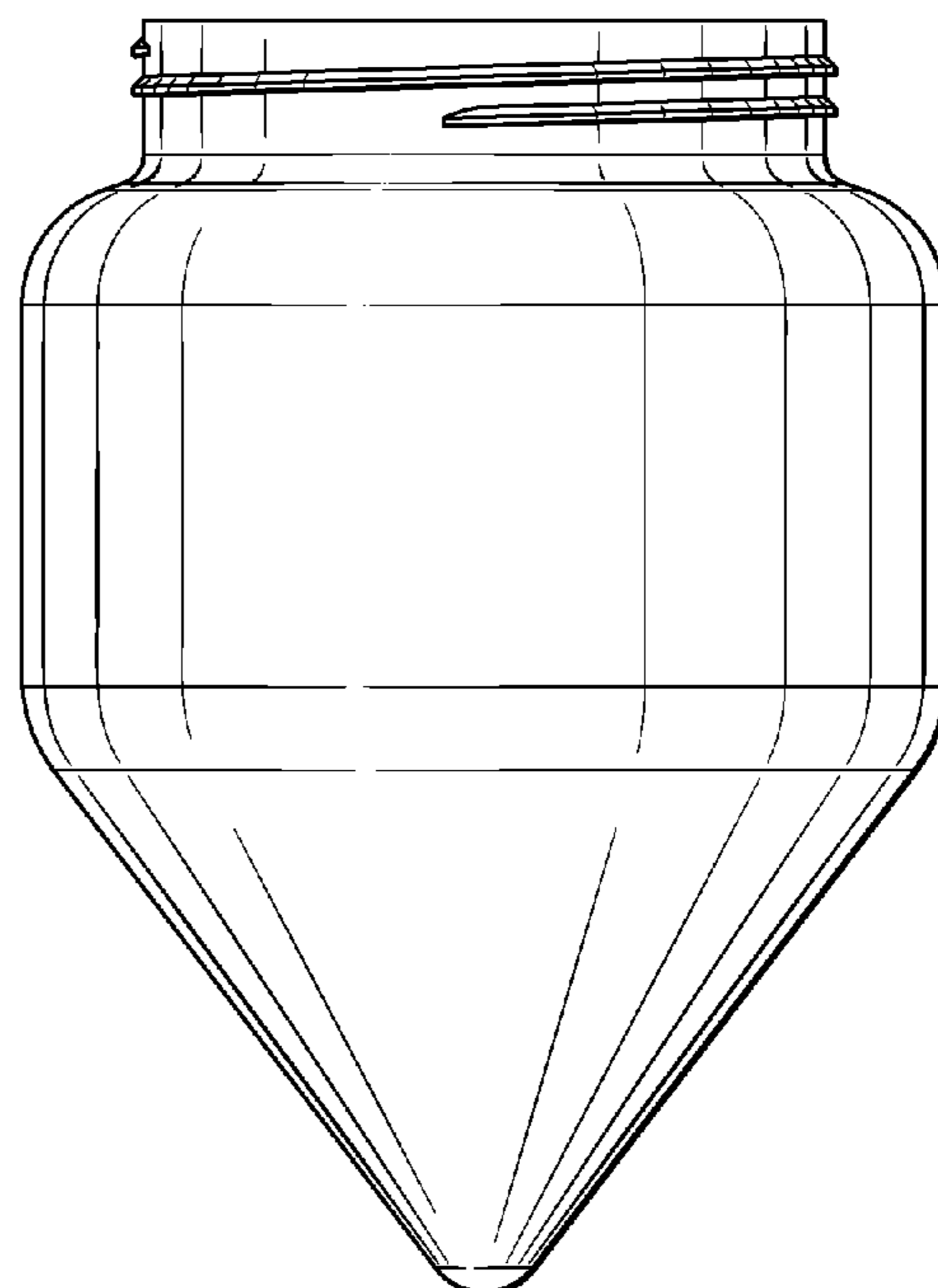


FIG. 4

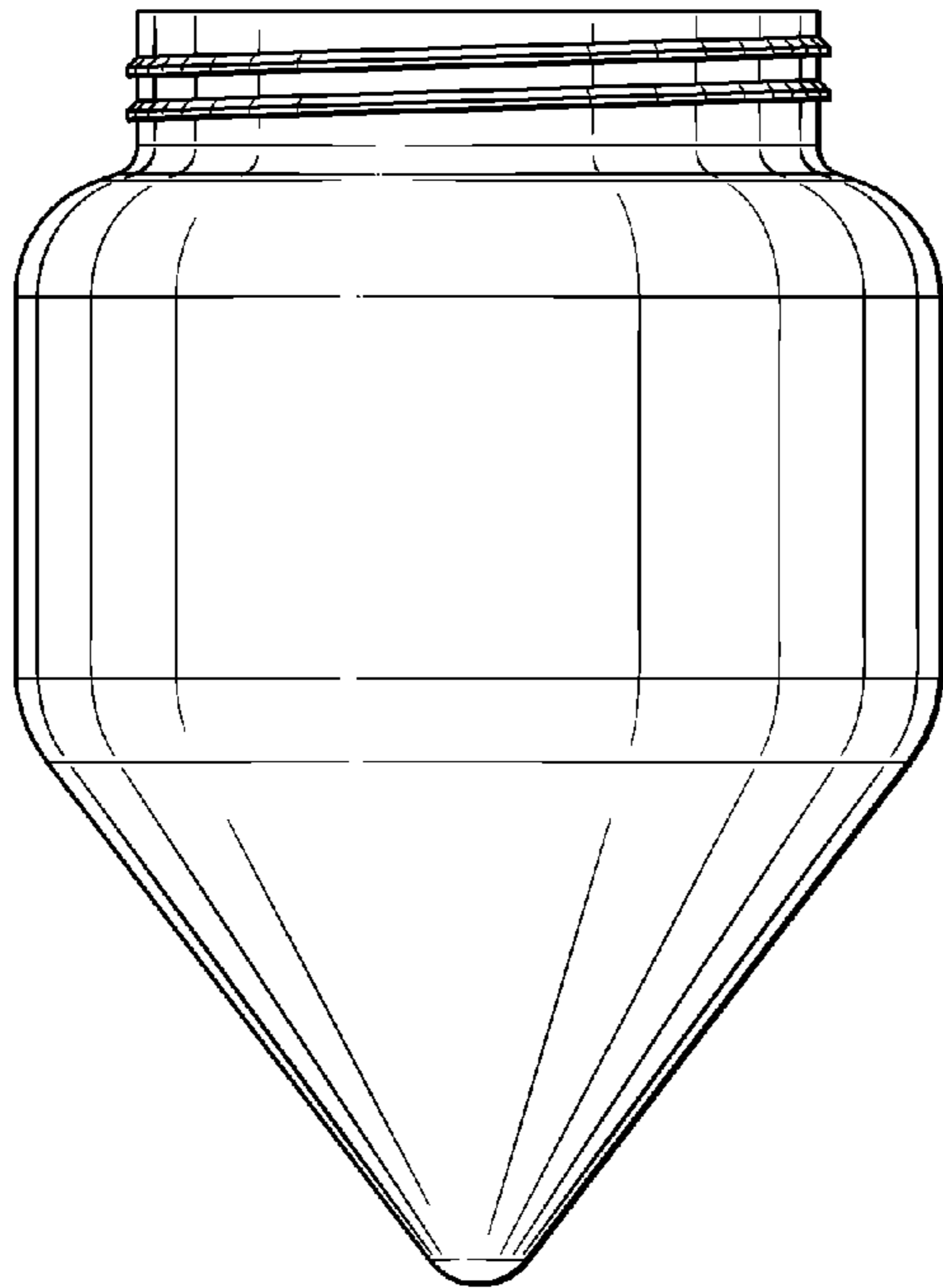


FIG. 5

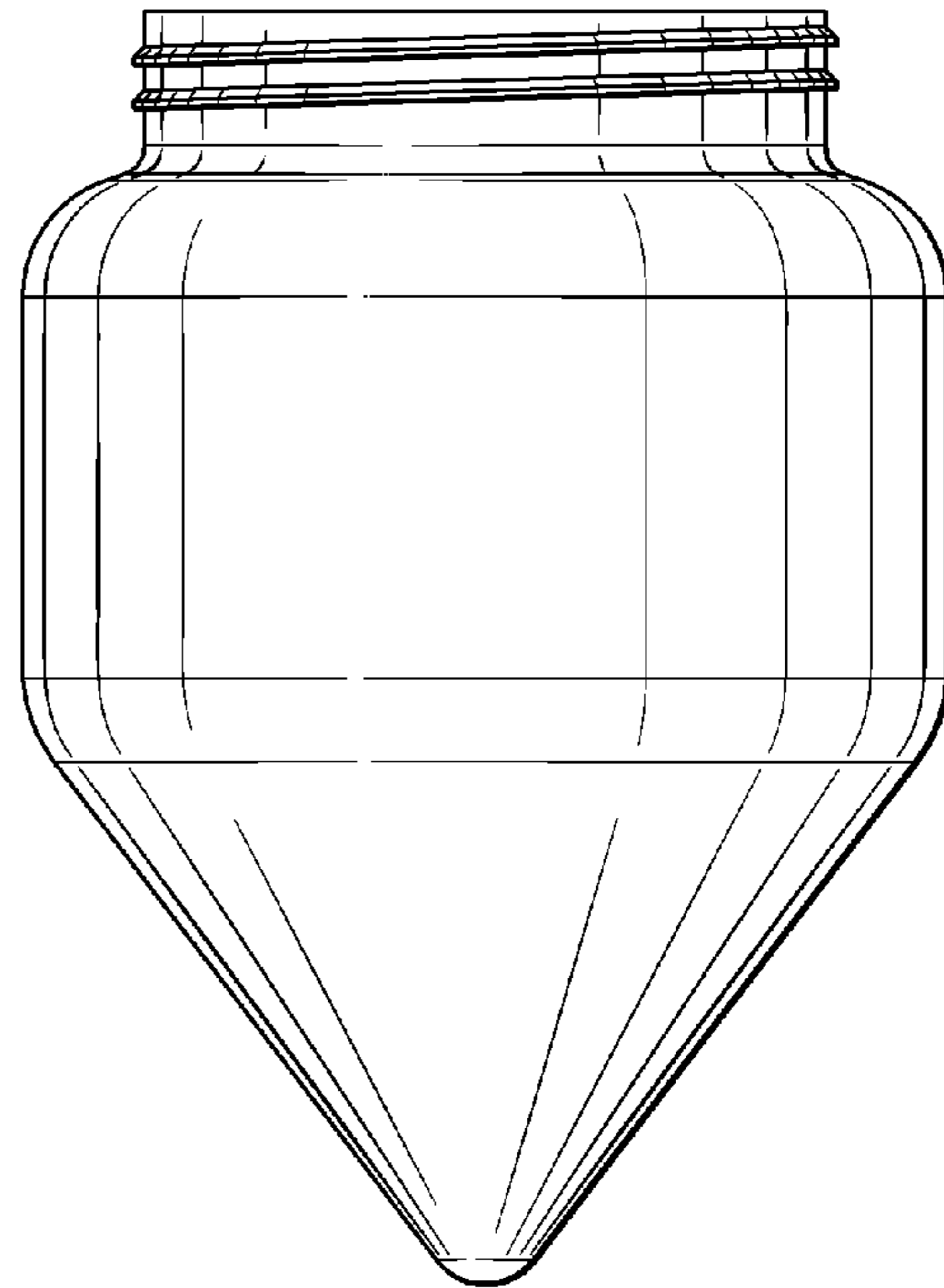


FIG. 6

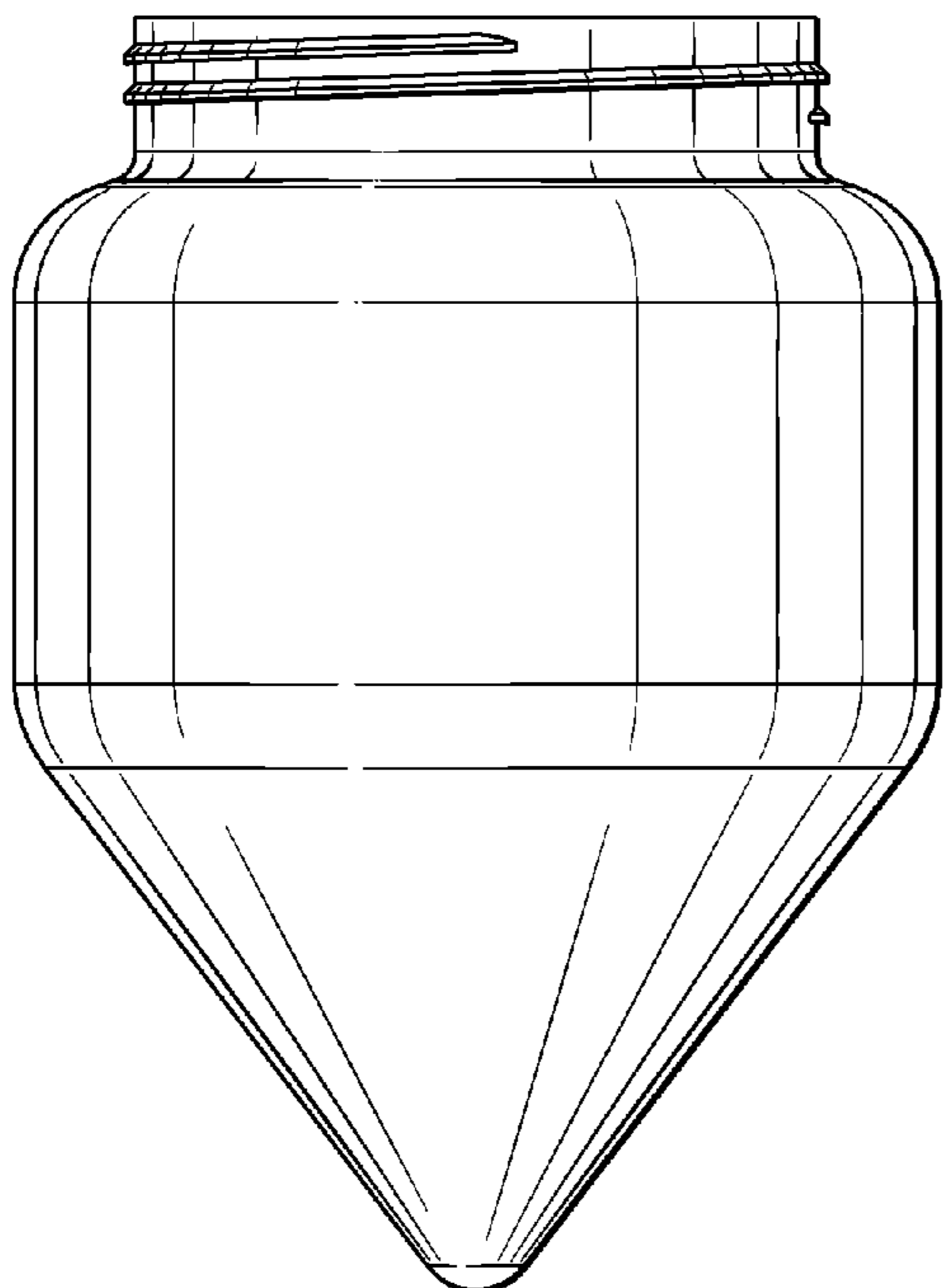


FIG. 7

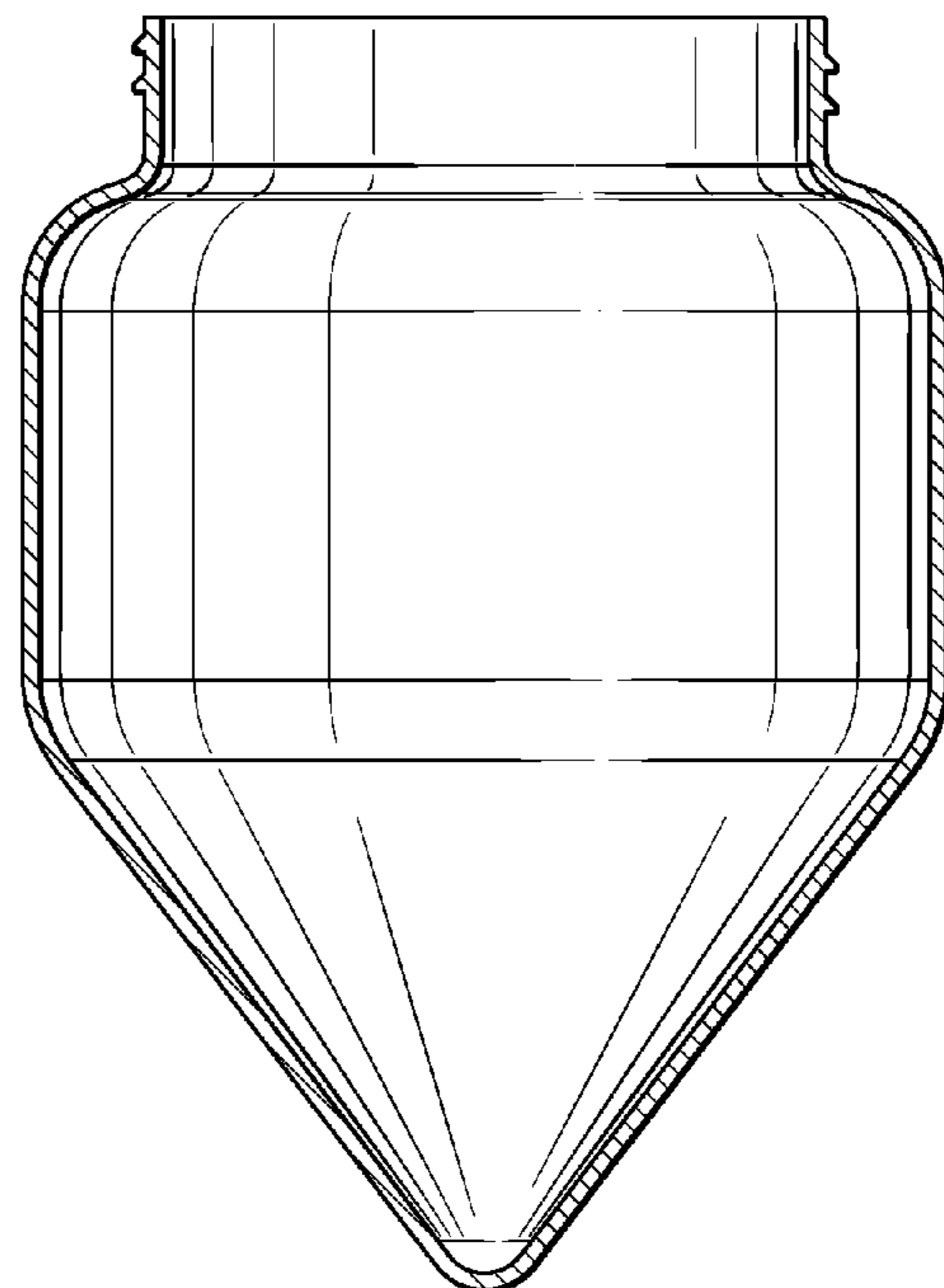


FIG. 8



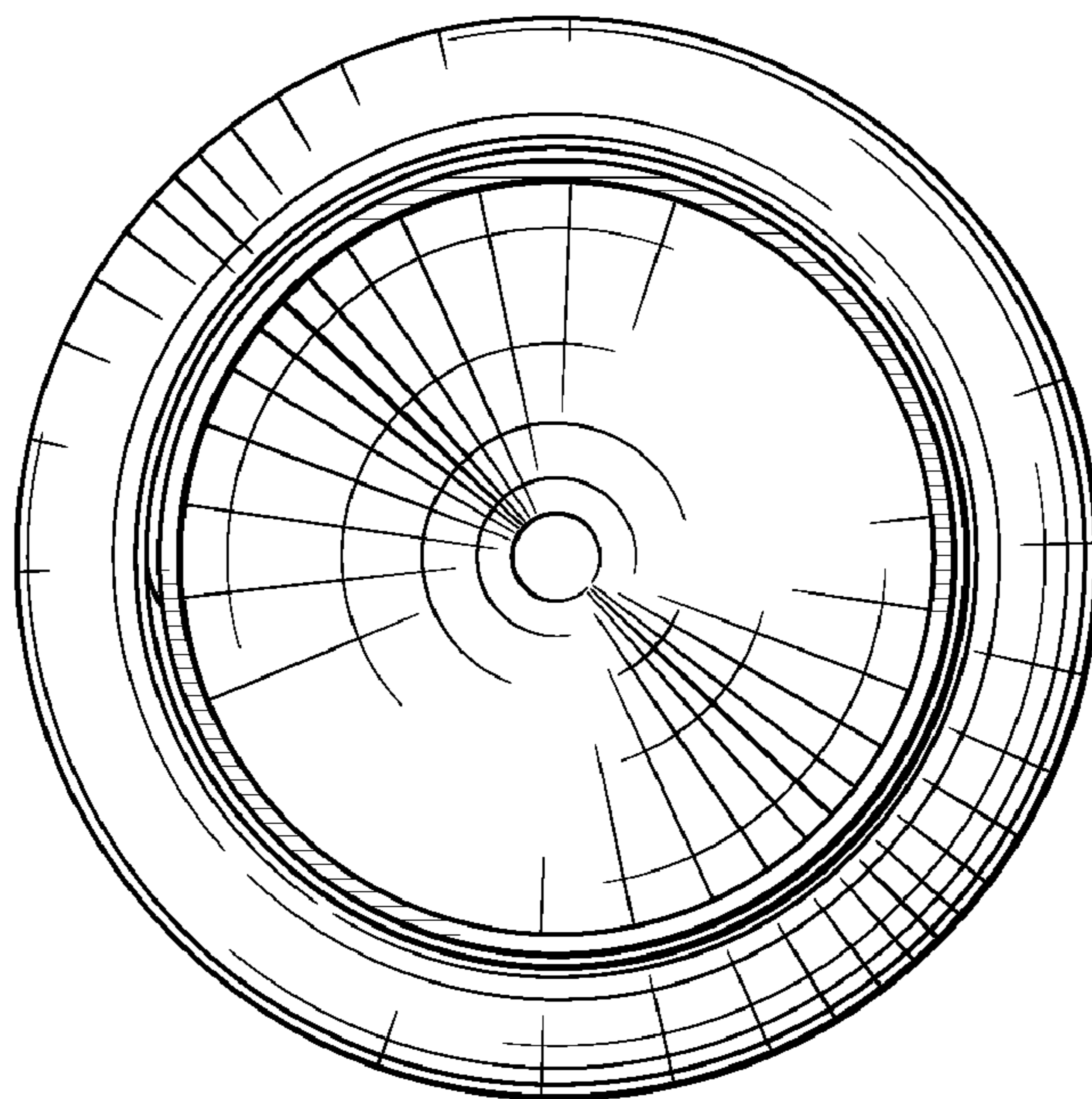


FIG. 9

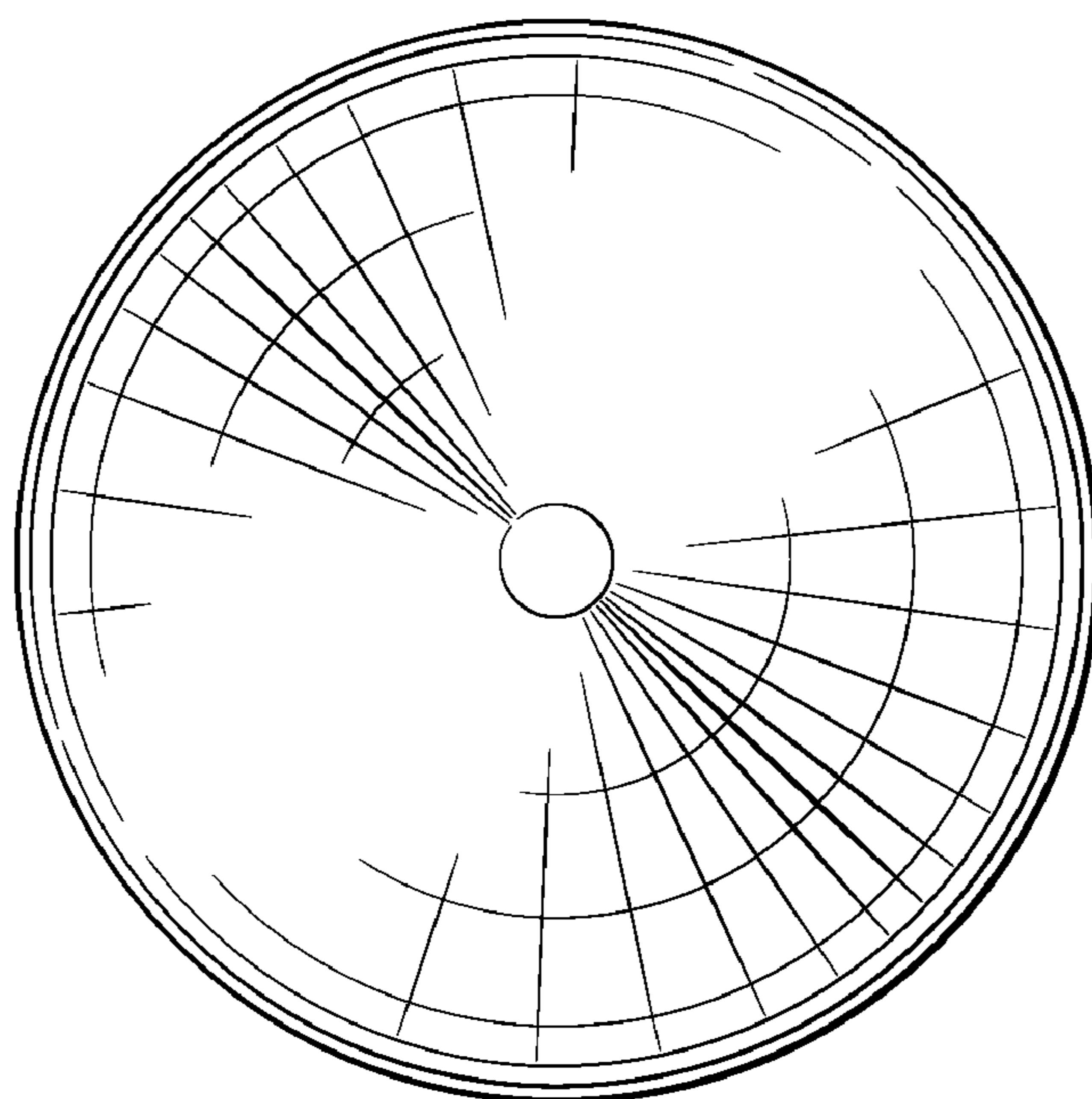


FIG. 10