



US00D637491S

(12) **United States Design Patent**
Bogert

(10) **Patent No.:** **US D637,491 S**

(45) **Date of Patent:** **** May 10, 2011**

(54) **FRAGRANCE BOTTLE CAP**

(75) Inventor: **Elizabeth Bogert**, Croton on Hudson, NY (US)

(73) Assignee: **Christian Casey LLC**, New York, NY (US)

(**) Term: **14 Years**

(21) Appl. No.: **29/362,543**

(22) Filed: **May 27, 2010**

Related U.S. Application Data

(62) Division of application No. 29/352,079, filed on Dec. 16, 2009, now Pat. No. Des. 620,804.

(51) **LOC (9) Cl.** **09-01**

(52) **U.S. Cl.** **D9/452**

(58) **Field of Classification Search** D9/516,
D9/434, 435, 439, 444, 452, 453, 686, 682,
D9/687, 694; 215/200, 272, 296, 316, 318,
215/320, 355, 379, 381-385; 220/200, 345.1,
220/351, 360, 377, 660, 662, 665, 669
See application file for complete search history.

(56) **References Cited**

U.S. PATENT DOCUMENTS

D45,375 S	3/1914	Dunnock	
D61,829 S	1/1923	Javal	
D76,142 S	8/1928	Liddell	
D76,291 S *	9/1928	D'Escayrac D9/544
D81,633 S	7/1930	Wagner	
D94,786 S	3/1935	Stein	
D107,966 S	1/1938	McIntosh	
D141,775 S	7/1945	Buckingham	
D143,657 S	1/1946	Graham	

(Continued)

FOREIGN PATENT DOCUMENTS

AU 119118 12/1993

(Continued)

OTHER PUBLICATIONS

<http://www.gnpd.com>; Mintel gnpd; Record ID: 998731; Stella McCartney Parfums; Stella by Stella McCartney; Fragrances; Women's Fragrances; USA; Nov. 2008.

Primary Examiner — Stella Reid

Assistant Examiner — Elizabeth J Oswecki

(74) *Attorney, Agent, or Firm* — Cynthia R. Miller

(57) **CLAIM**

The ornamental design for a fragrance bottle cap, substantially as shown and described.

DESCRIPTION

FIG. 1 is a top, front and right side perspective view of a first embodiment of my new design for a fragrance bottle cap;

FIG. 2 is a front elevation view of the fragrance bottle cap shown in FIG. 1, the rear elevation view being a mirror image thereof;

FIG. 3 is a top plan view of the fragrance bottle cap shown in FIG. 1;

FIG. 4 is a bottom plan view of the fragrance bottle cap shown in FIG. 1;

FIG. 5 is a side elevation view of the fragrance bottle cap shown in FIG. 1, the opposite side being a mirror image thereof;

FIG. 6 is a top, front and right side perspective view of a second embodiment of my new design for a fragrance bottle cap;

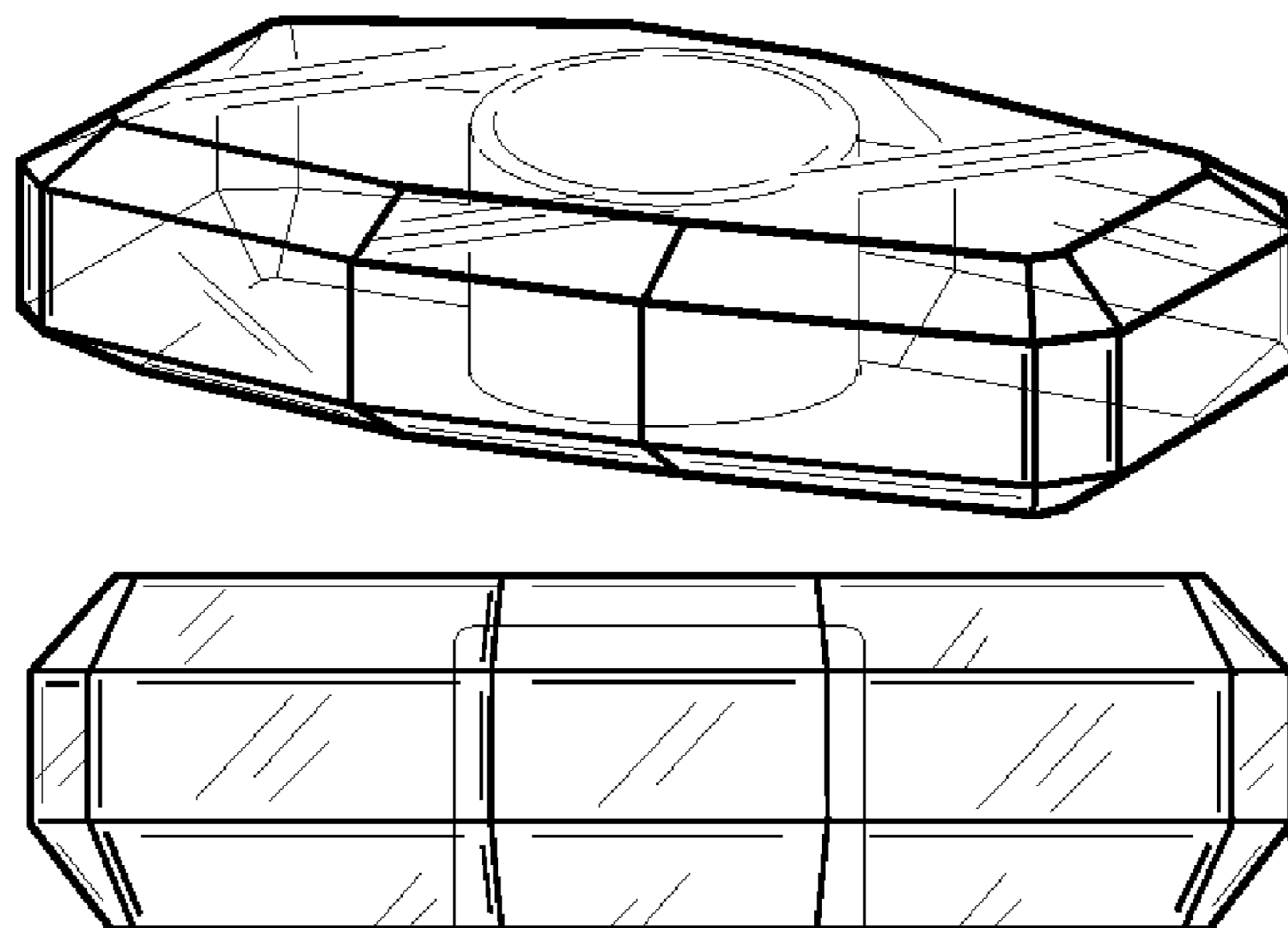
FIG. 7 is a front elevation view of the fragrance bottle cap shown in FIG. 6, the rear elevation view being a mirror image thereof;

FIG. 8 is a top plan view of the fragrance bottle cap shown in FIG. 6;

FIG. 9 is a bottom plan view of the fragrance bottle cap shown in FIG. 6; and,

FIG. 10 is a side elevation view of the fragrance bottle cap shown in FIG. 6, the opposite side being a mirror image thereof.

1 Claim, 2 Drawing Sheets



US D637,491 S

U.S. PATENT DOCUMENTS

2,921,708	A *	1/1960	Henri Marcel	215/230
3,581,926	A *	6/1971	Roder	215/330
3,926,329	A *	12/1975	Guala	215/361
D243,066	S	1/1977	Halsted et al.	
4,893,636	A *	1/1990	Cook et al.	600/577
D318,618	S *	7/1991	Scarpa et al.	D9/559
D324,820	S *	3/1992	Hayman et al.	D9/544
D420,596	S	2/2000	Maddy	
D474,693	S	5/2003	Gruosi-Scheufele	
D484,790	S	1/2004	Sgariboldi	
D519,844	S	5/2006	Mansau	
D530,211	S	10/2006	Lloyd	
D531,911	S	11/2006	Lloyd	
D532,696	S	11/2006	Boudard	
D536,259	S	2/2007	Herrmann	
D537,725	S	3/2007	Varlet	
D542,670	S	5/2007	Herrmann	
D546,192	S	7/2007	Faillant Dumas	
D551,970	S *	10/2007	Didier	D9/439
D574,257	S	8/2008	Zeidan	
D576,052	S	9/2008	Lloyd et al.	
D585,754	S *	2/2009	McGregor et al.	D9/559
D587,596	S	3/2009	Lloyd	
D600,133	S	9/2009	Friedman et al.	
D604,629	S	11/2009	Aebi	
D606,415	S *	12/2009	Lavigne et al.	D9/546
D610,916	S *	3/2010	Yeung et al.	D9/694
D620,804	S *	8/2010	Bogert et al.	D9/544
D632,969	S *	2/2011	Monteparo et al.	D9/544
D633,806	S *	3/2011	Lecoule	D9/559

FOREIGN PATENT DOCUMENTS

AU	300511	1/2005
AU	315242	7/2007
AU	325496	3/2009
AU	327646	9/2009
AU	327647	9/2009
EM	50141-6	7/2003
EM	569884-1	8/2006
EM	29194-1	5/2008
EM	975602-2	7/2008
EM	988019-1	8/2008
EM	988019-2	8/2008
EM	1099493-1	2/2009
HK	0310797.4M001	8/2003
HK	0411912.1M005	10/2004
HK	0701232.9	8/2007
HK	0701432.3M001	8/2007
HK	0701432.3M002	8/2007
HK	0800604.9M001	4/2008
HK	0802094.7M001	10/2008
HK	0802094.7M002	10/2008
MY	UK (E) 01/0428	7/1996
MY	UK (E) 01/0632	11/1996
MY	00-00101	9/1999

MY	01-00249	11/2000
TW	246317	4/1995
TW	274026	4/1996
TW	300826	3/1997
TW	305716	5/1997
TW	D106206	8/2005
TW	D107086	10/2005
TW	D109543	3/2006
TW	D127091	1/2009
TW	D129818	7/2009
TW	D129819	7/2009
TW	D130938	9/2009
TW	D130939	9/2009
VE	G005853	11/2001
WO	DM/003253	12/1983
WO	DM/005398	6/1985
WO	DM/006110	11/1985
WO	DM/006238	12/1985
WO	DM/009199	8/1987
WO	DM/011294	7/1988
WO	DM/010854	8/1988
WO	DM/012679	1/1989
WO	DM/013792	6/1989
WO	DM/018000	12/1989
WO	DM/017749	10/1990
WO	DM/023524	3/1992
WO	DM/022639	4/1992
WO	DM/022681	4/1992
WO	DM/022788	5/1992
WO	DM/024302	10/1992
WO	DM/027462	11/1992
WO	DM/026410	6/1993
WO	DM/027029	8/1993
WO	DM/027893	11/1993
WO	DM/029010	3/1994
WO	DM/037964	10/1996
WO	DM/040264	5/1997
WO	DM/042992	2/1998
WO	DM/049098	11/1999
WO	DM/050318	3/2000
WO	DM/054858	3/2001
WO	DM/056694	8/2001
WO	DM/059582	5/2002
WO	DM/063814	7/2003
WO	DM/063943	8/2003
WO	DM/065115	4/2004
WO	DM/065356	11/2004
WO	DM/067141	12/2005
WO	DM/067608	4/2006
WO	DM/061531	8/2007
WO	DM/066868	10/2007
WO	DM/069400	11/2007
WO	DM/069728	3/2008
WO	DM/070289	7/2008

* cited by examiner

FIG. 1

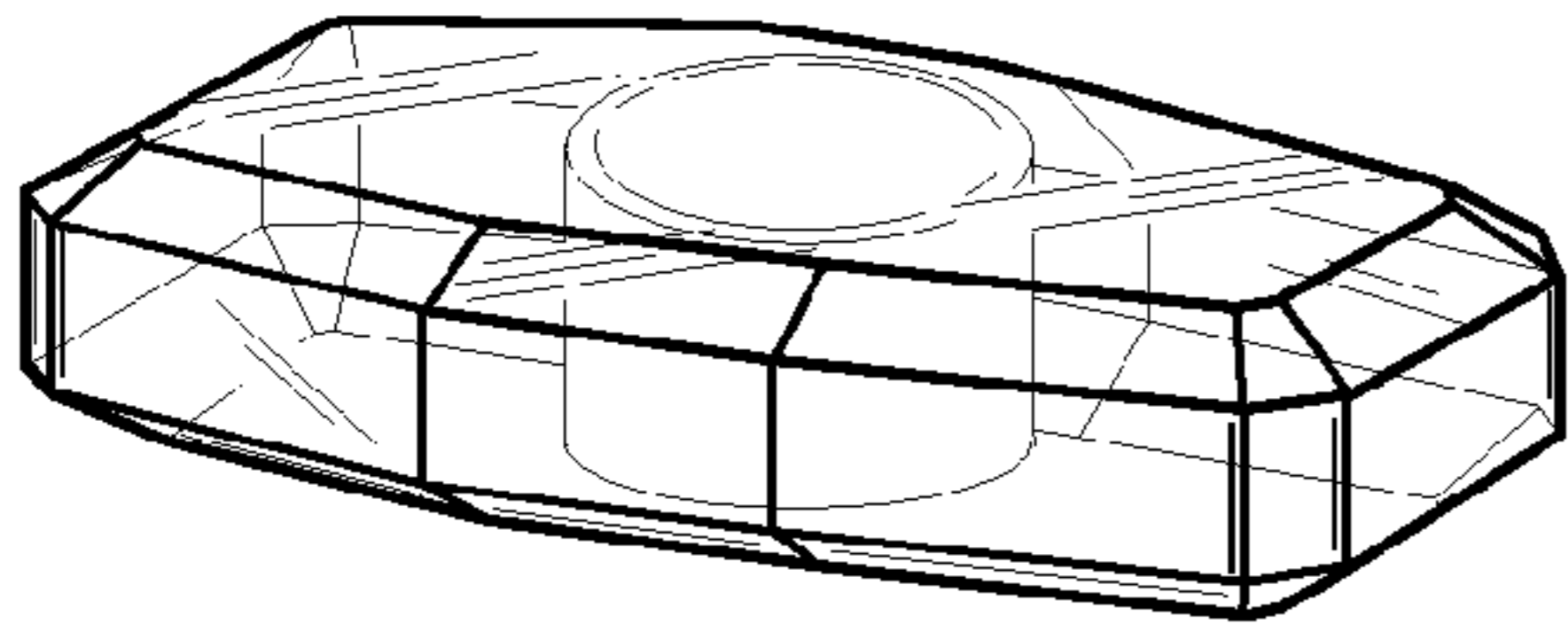


FIG. 2

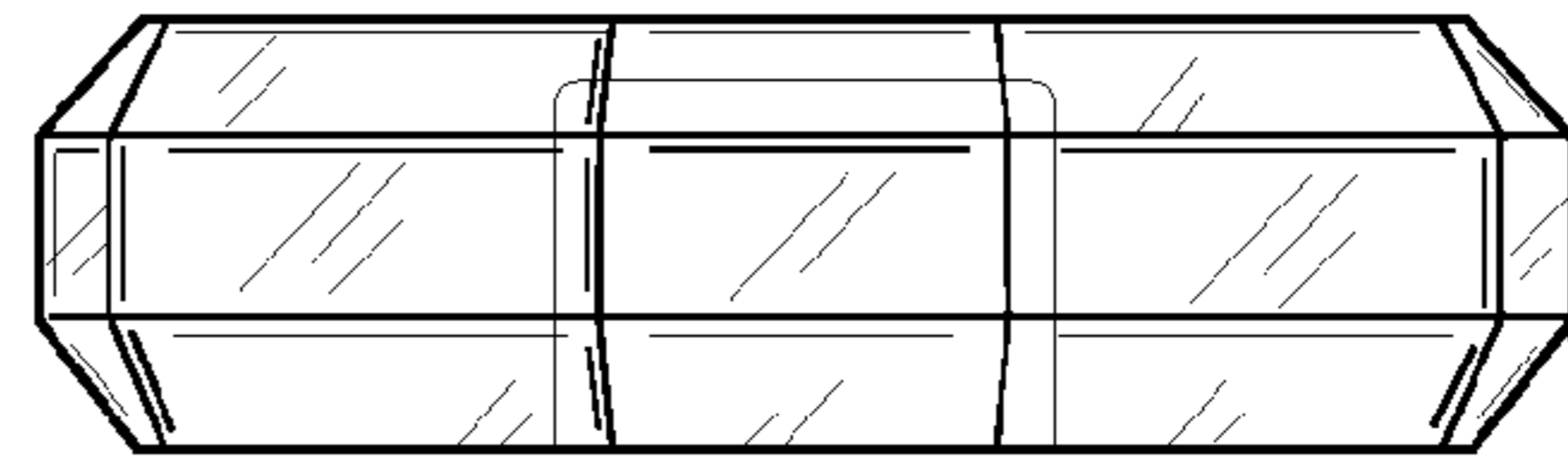


FIG. 3

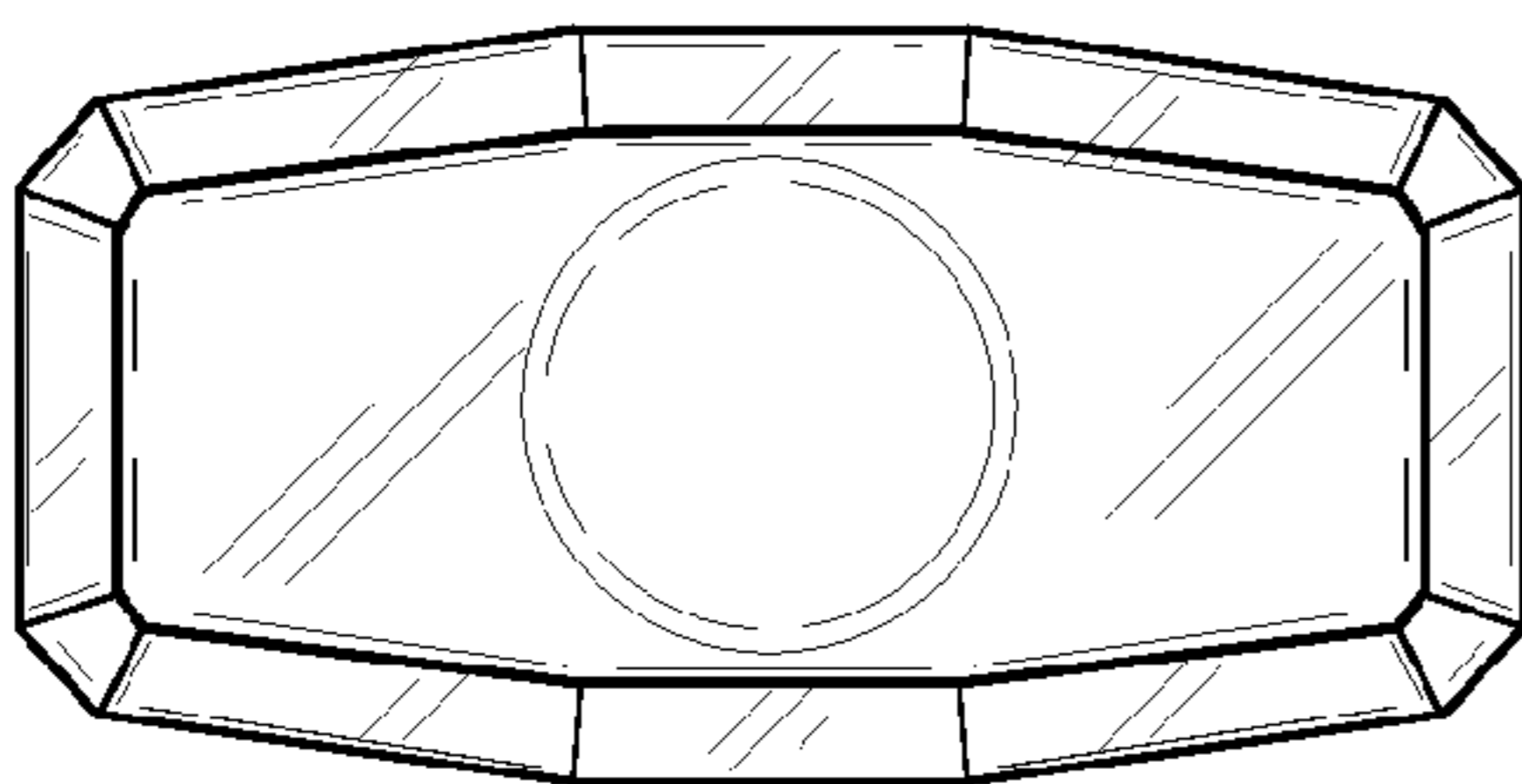


FIG. 4

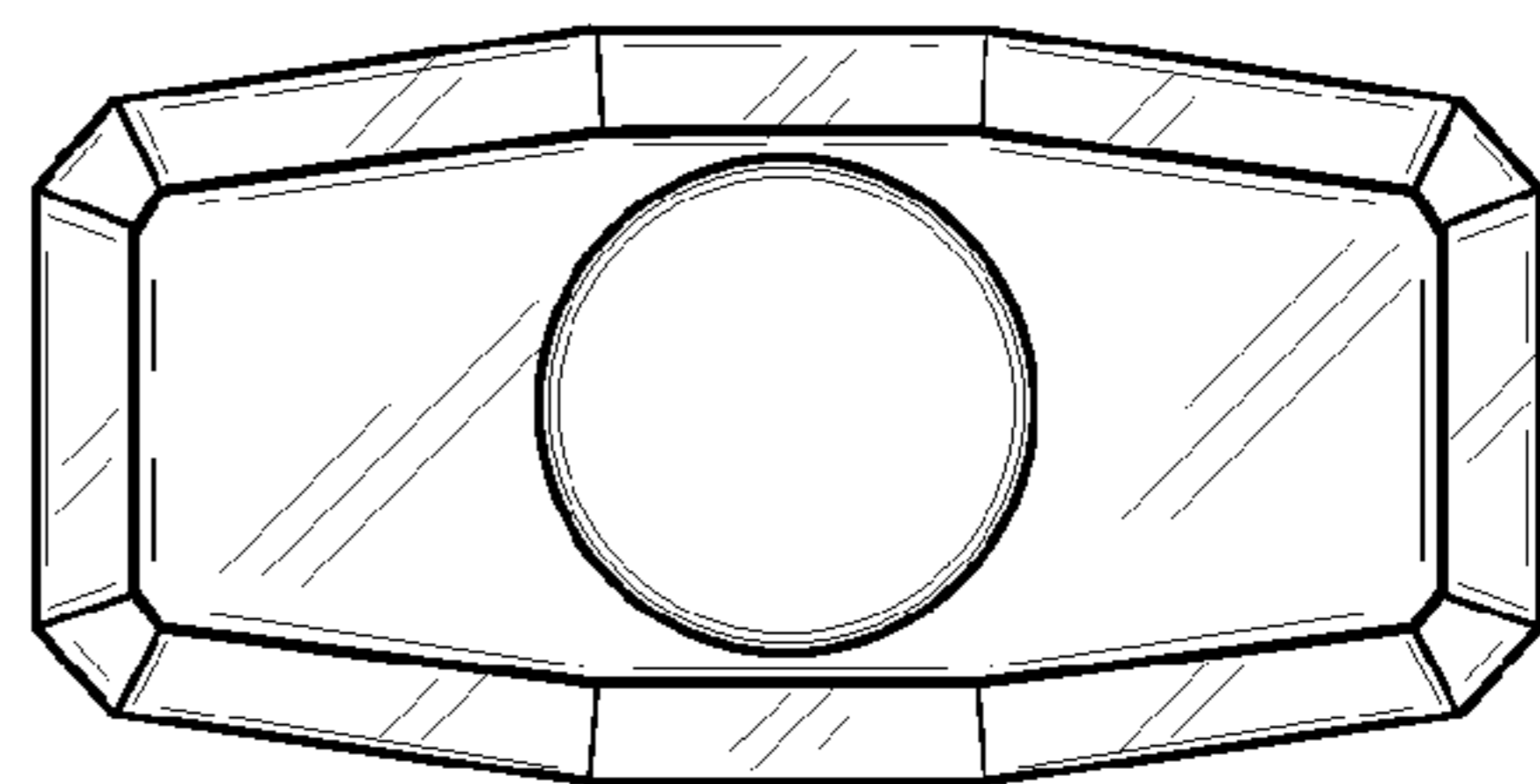


FIG. 5

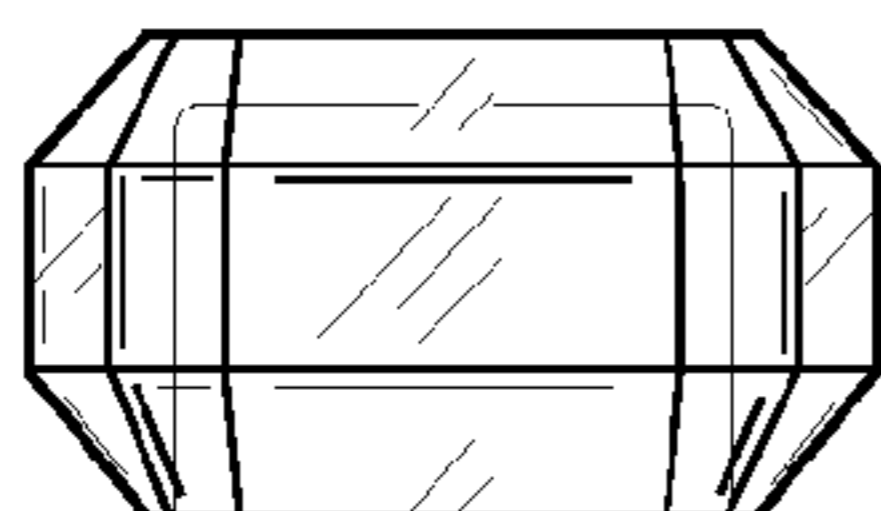


FIG. 6

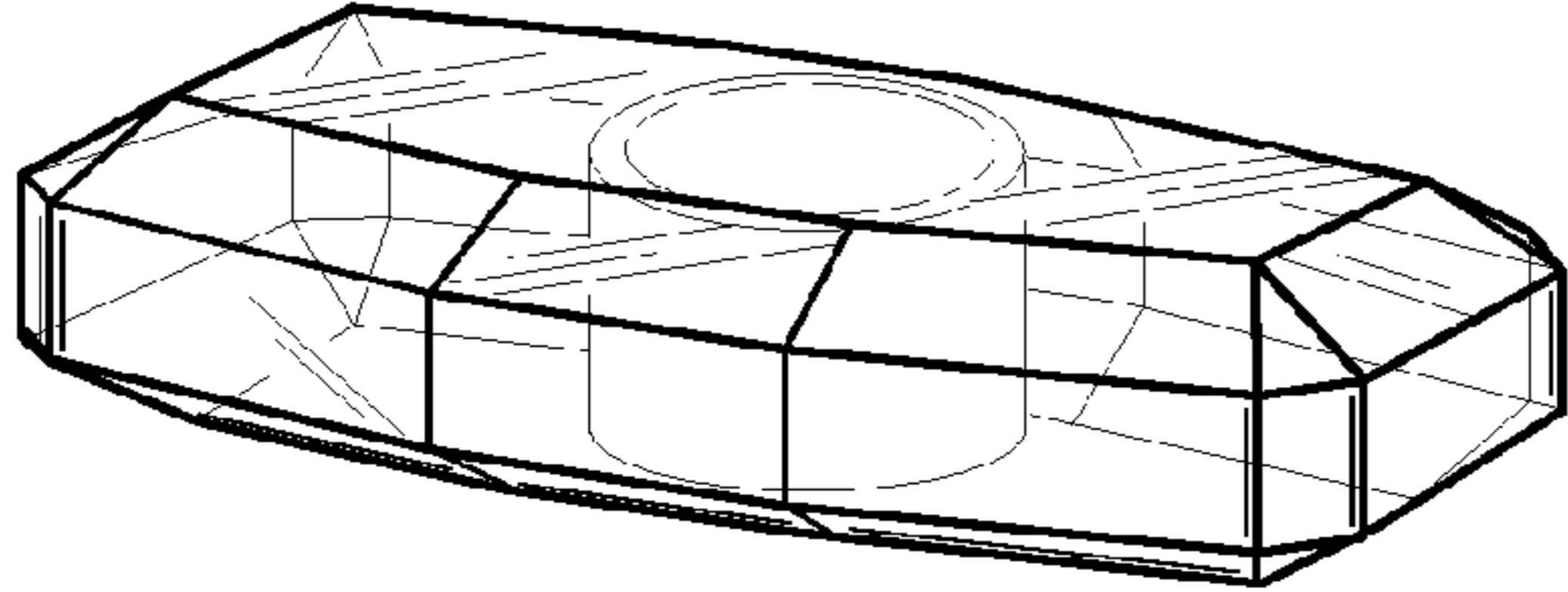


FIG. 7

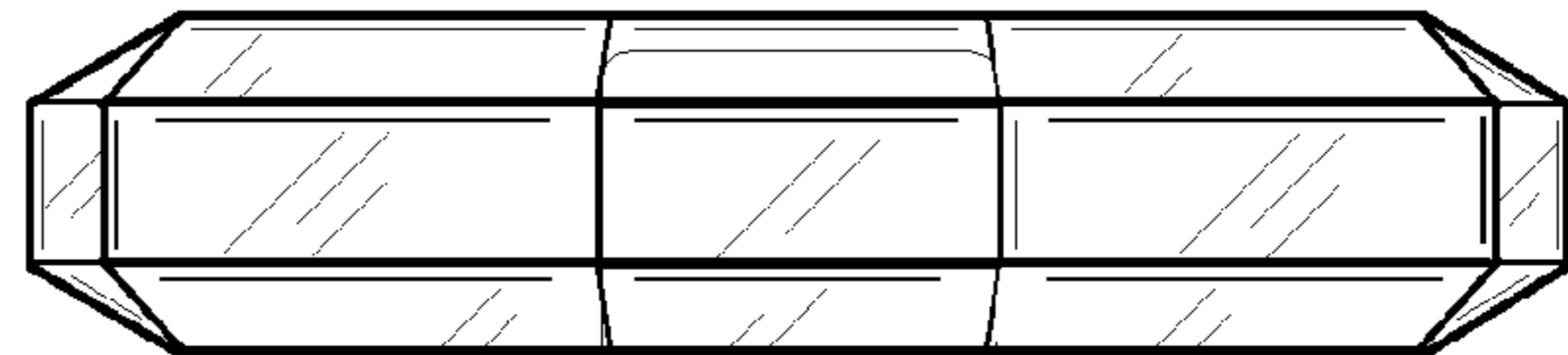


FIG. 8

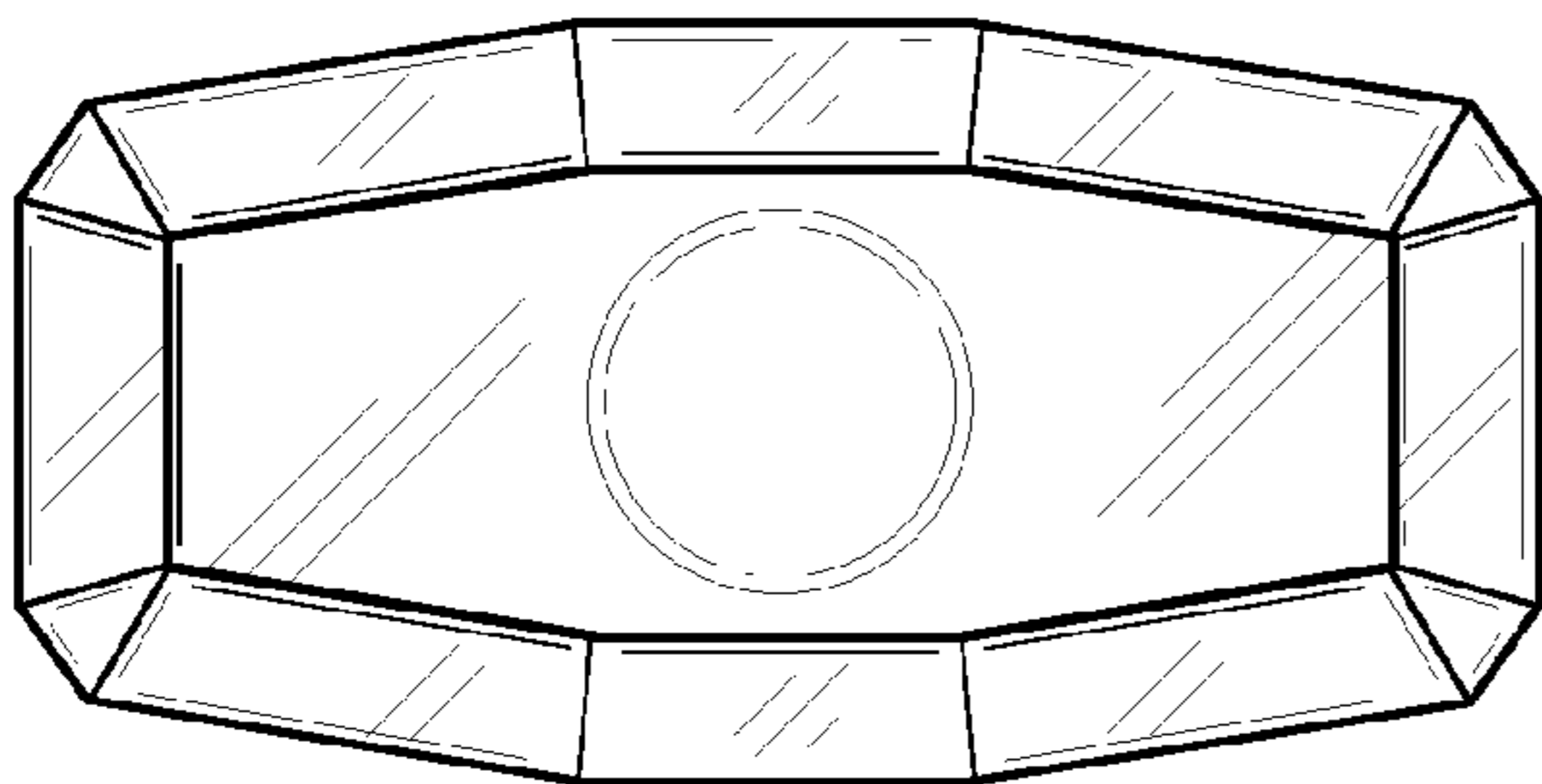


FIG. 9

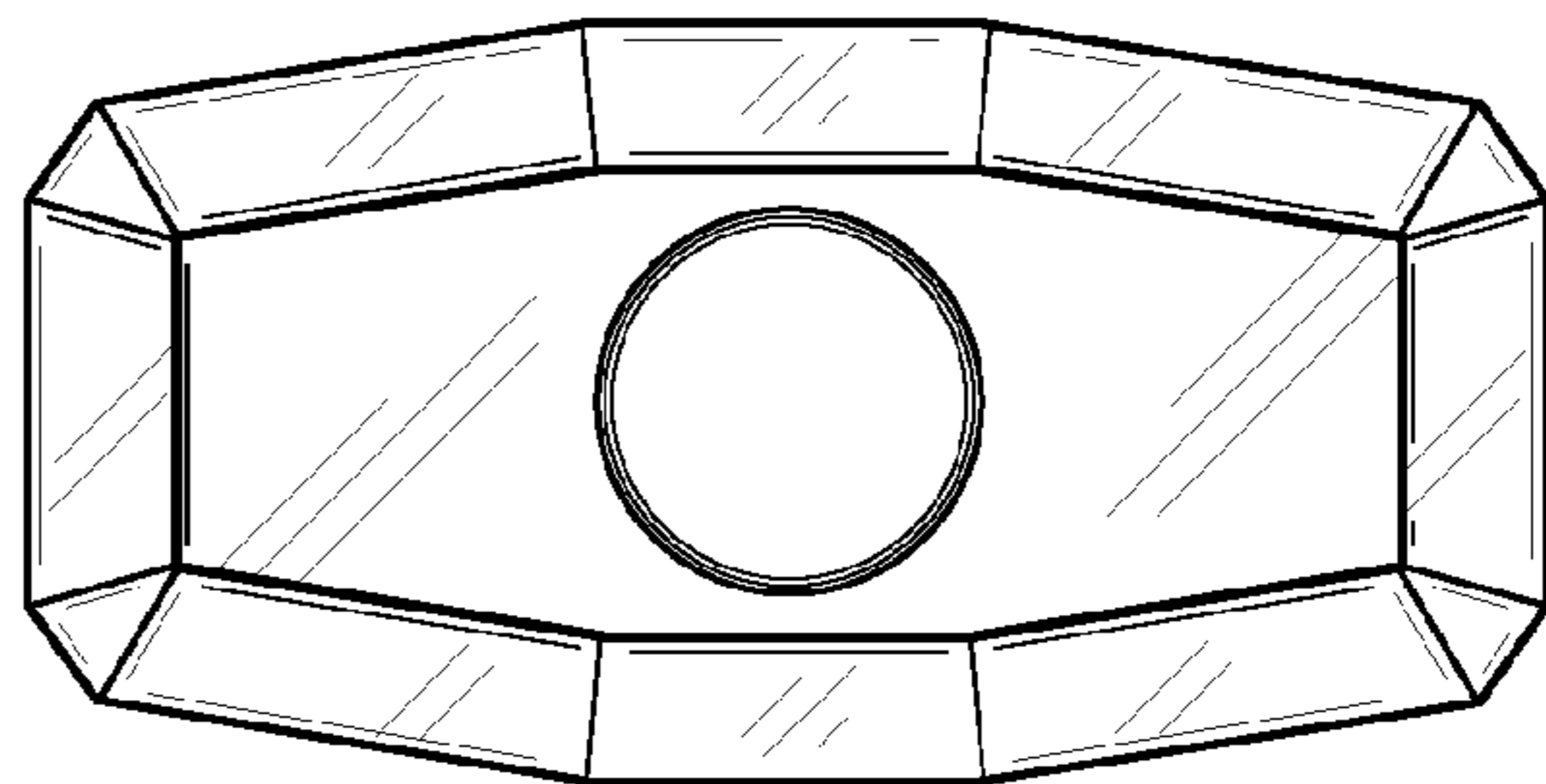


FIG. 10

