



US00D637490S

(12) **United States Design Patent**
McKinney et al.

(10) **Patent No.:** **US D637,490 S**

(45) **Date of Patent:** **** May 10, 2011**

(54) **BEVERAGE BOTTLE LID**

(75) Inventors: **Larry T. McKinney**, Huntersville, NC
(US); **Brian D. Furlong**, Davidson, NC
(US)

(73) Assignee: **Rubbermaid Incorporated**,
Huntersville, NC (US)

(**) Term: **14 Years**

(21) Appl. No.: **29/379,944**

(22) Filed: **Nov. 29, 2010**

Related U.S. Application Data

(62) Division of application No. 29/343,958, filed on Sep.
22, 2009.

(51) **LOC (9) Cl.** **09-07**

(52) **U.S. Cl.** **D9/447**

(58) **Field of Classification Search** D9/780,
D9/778, 772, 763, 756, 556, 529, 518, 504,
D9/503, 454, 450, 449, 447, 440, 438, 435,
D9/434, 428, 425, 424; D7/584, 392.1; 229/123.1;
222/556; 220/906, 806, 716, 713, 711, 359.3,
220/359.1, 285, 273, 265, 259.2-259.4, 258.2,
220/257.1, 254.4; 215/256, 249, 232, 216;
206/530

See application file for complete search history.

(56) **References Cited**

U.S. PATENT DOCUMENTS

D183,622 S *	9/1958	Libit	D9/447
D202,227 S *	9/1965	Amburgey et al.	D9/449
D205,425 S *	8/1966	Porter et al.	D9/447
D363,025 S *	10/1995	Deflander et al.	D9/449
D468,639 S *	1/2003	Wennerstrom et al.	D9/449
D537,716 S *	3/2007	Smith	D9/449

D591,152 S *	4/2009	Hatalla	D9/447
D596,458 S *	7/2009	McKinney	D7/510
D617,189 S *	6/2010	Casey et al.	D9/447
D617,639 S *	6/2010	Casey et al.	D9/447
D628,483 S *	12/2010	McKinney et al.	D9/449

OTHER PUBLICATIONS

Product Information for Rubbermaid Chug Bottles obtained from
www.rubbermaid.com, 1 page, admitted prior art.

Product Information for Rubbermaid Sip Bottles obtained from
www.rubbermaid.com, 1 page, admitted prior art.

Product Information for Rubbermaid Squirt-Top Bottles obtained
from www.rubbermaid.com, 1 page, admitted prior art.

* cited by examiner

Primary Examiner — Susan Bennett Hattan

(74) *Attorney, Agent, or Firm* — Lempia Summerfield Katz
LLC

(57) **CLAIM**

The ornamental design for a “beverage bottle lid,” as shown
and described.

DESCRIPTION

FIG. 1 is a top, front, and left side perspective view showing
our new design for a beverage bottle lid;

FIG. 2 is a front view of the beverage bottle lid shown in FIG.
1, the rear view being a mirror image thereof;

FIG. 3 is a right side view of the beverage bottle lid shown in
FIG. 1, the left side view being a mirror image thereof;

FIG. 4 is a top view of the beverage bottle lid shown in FIG.
1;

FIG. 5 is a bottom view of the beverage bottle lid shown in
FIG. 1; and,

FIG. 6 is a top, front, and left side perspective view of the
beverage bottle lid shown in FIG. 1 in an open position.

The subject matter shown in dashed lines are for illustrative
purposes only and form no part of the claimed design.

1 Claim, 4 Drawing Sheets

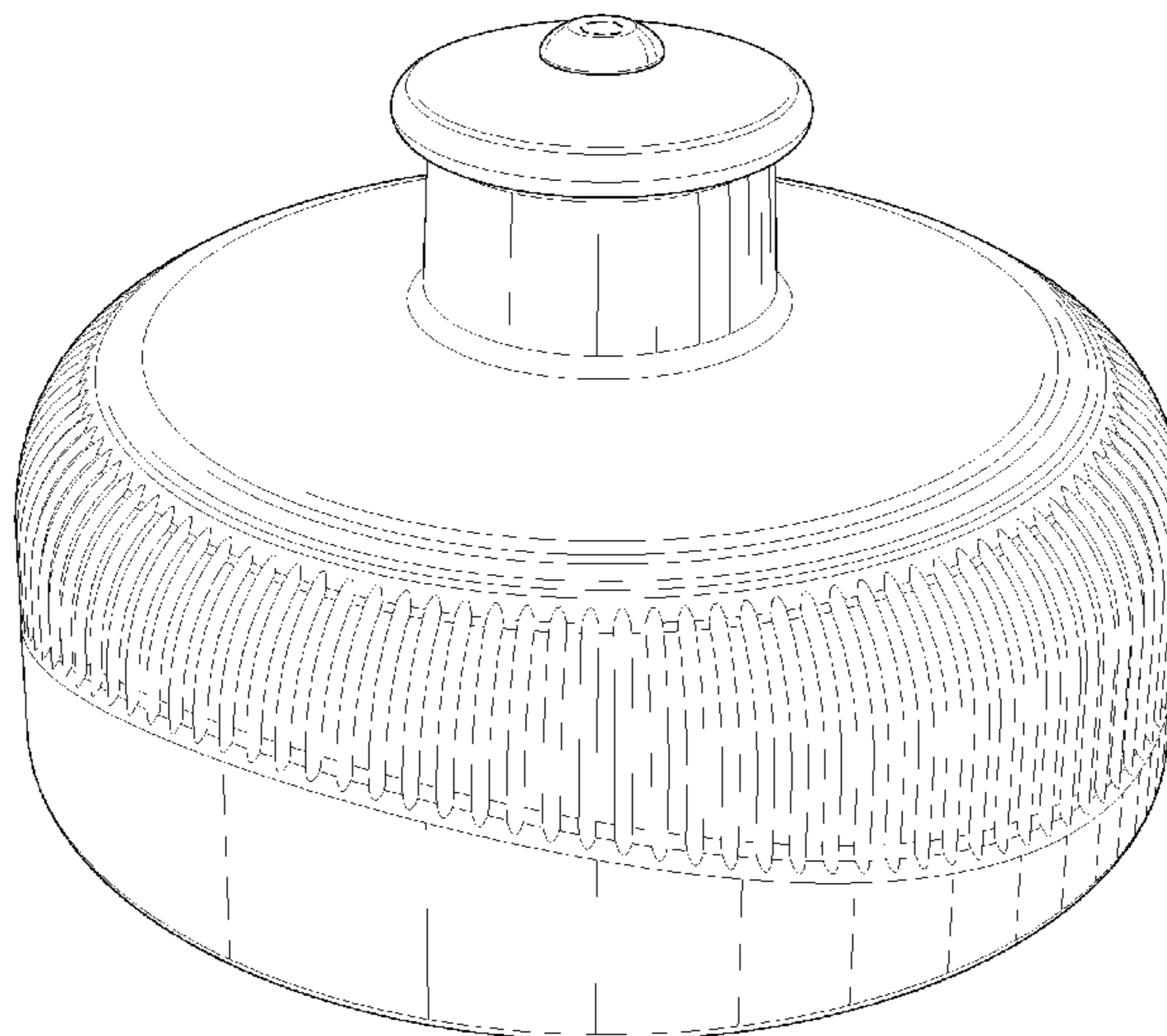


FIG. 1

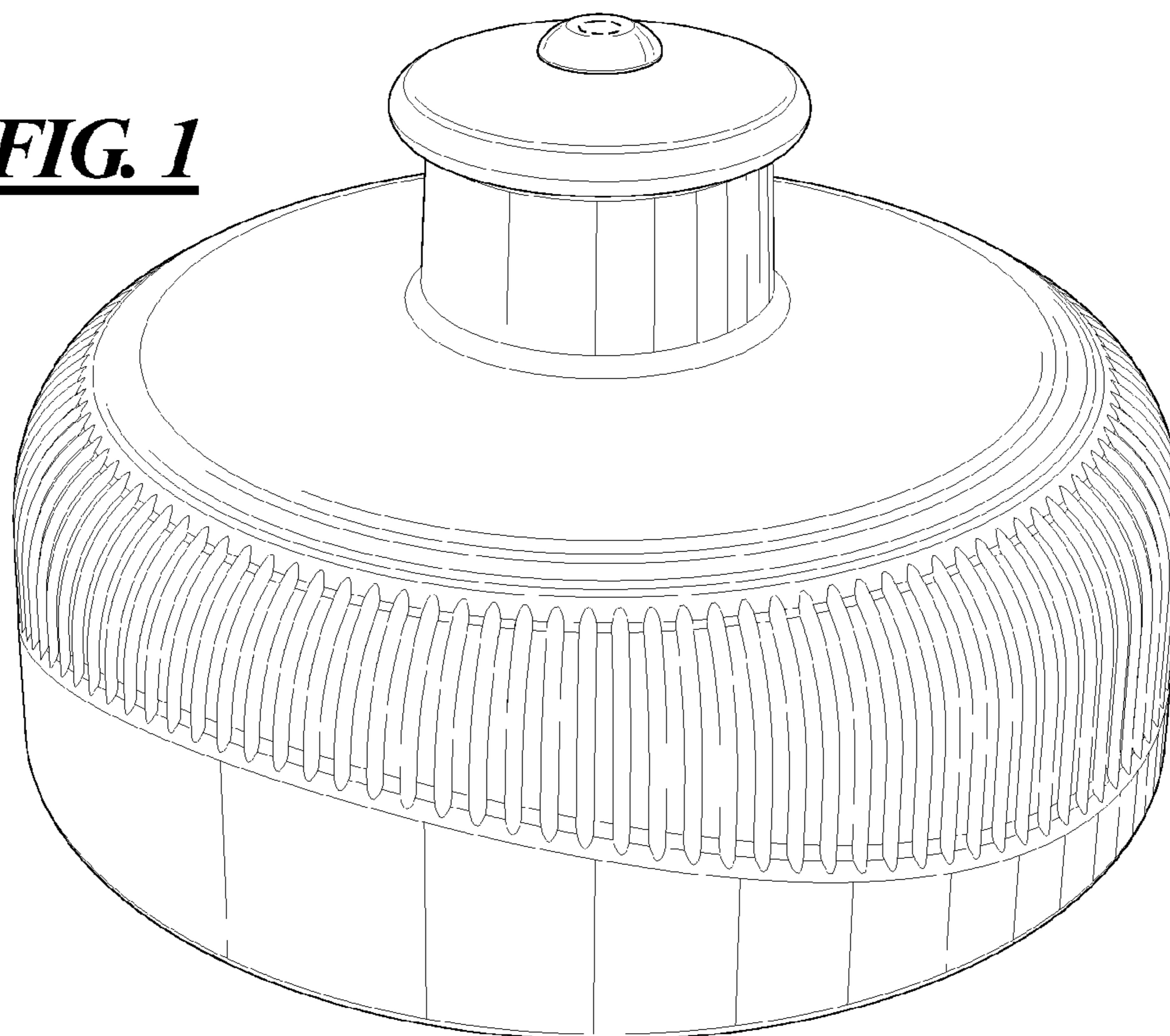


FIG. 2

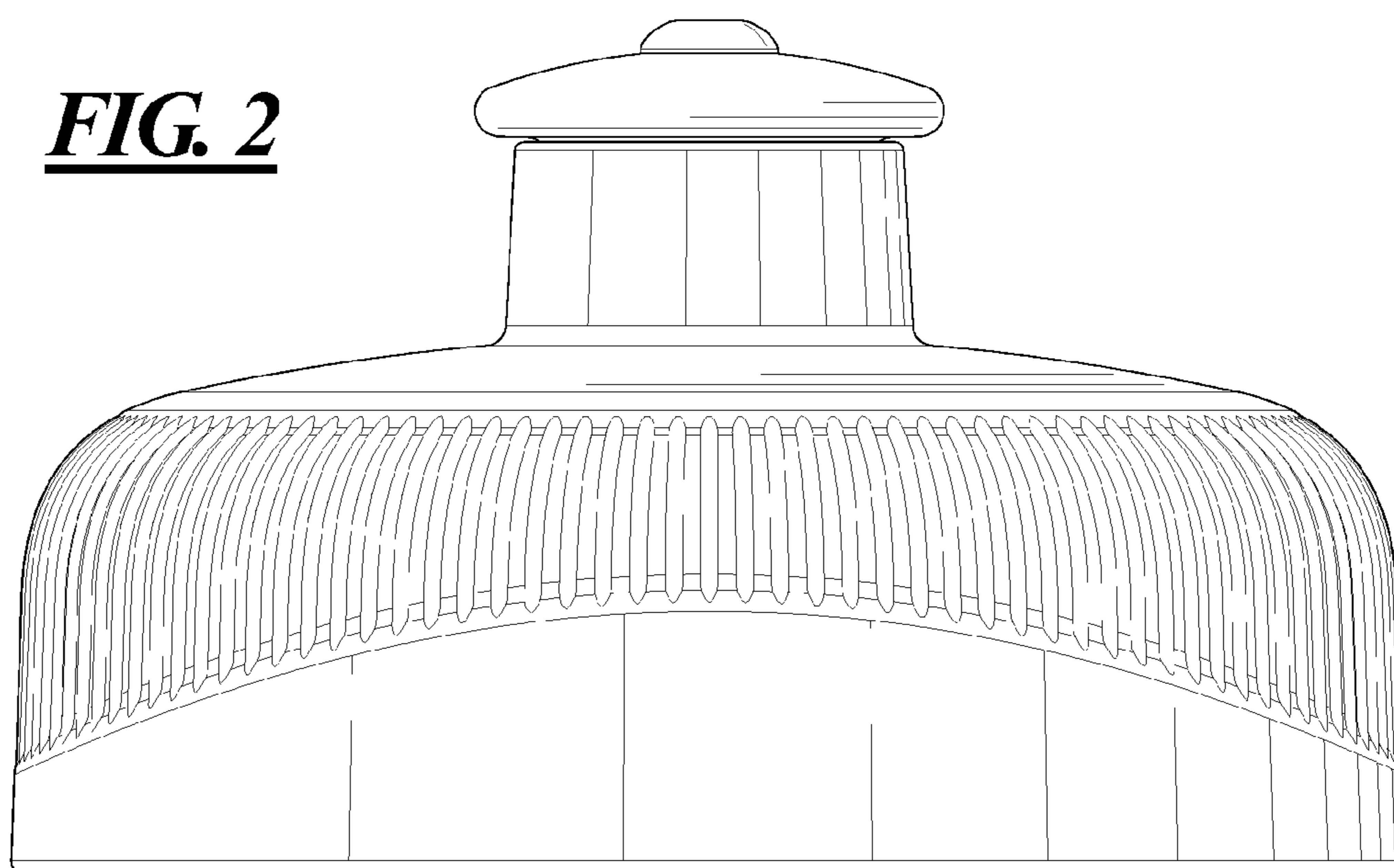


FIG. 3

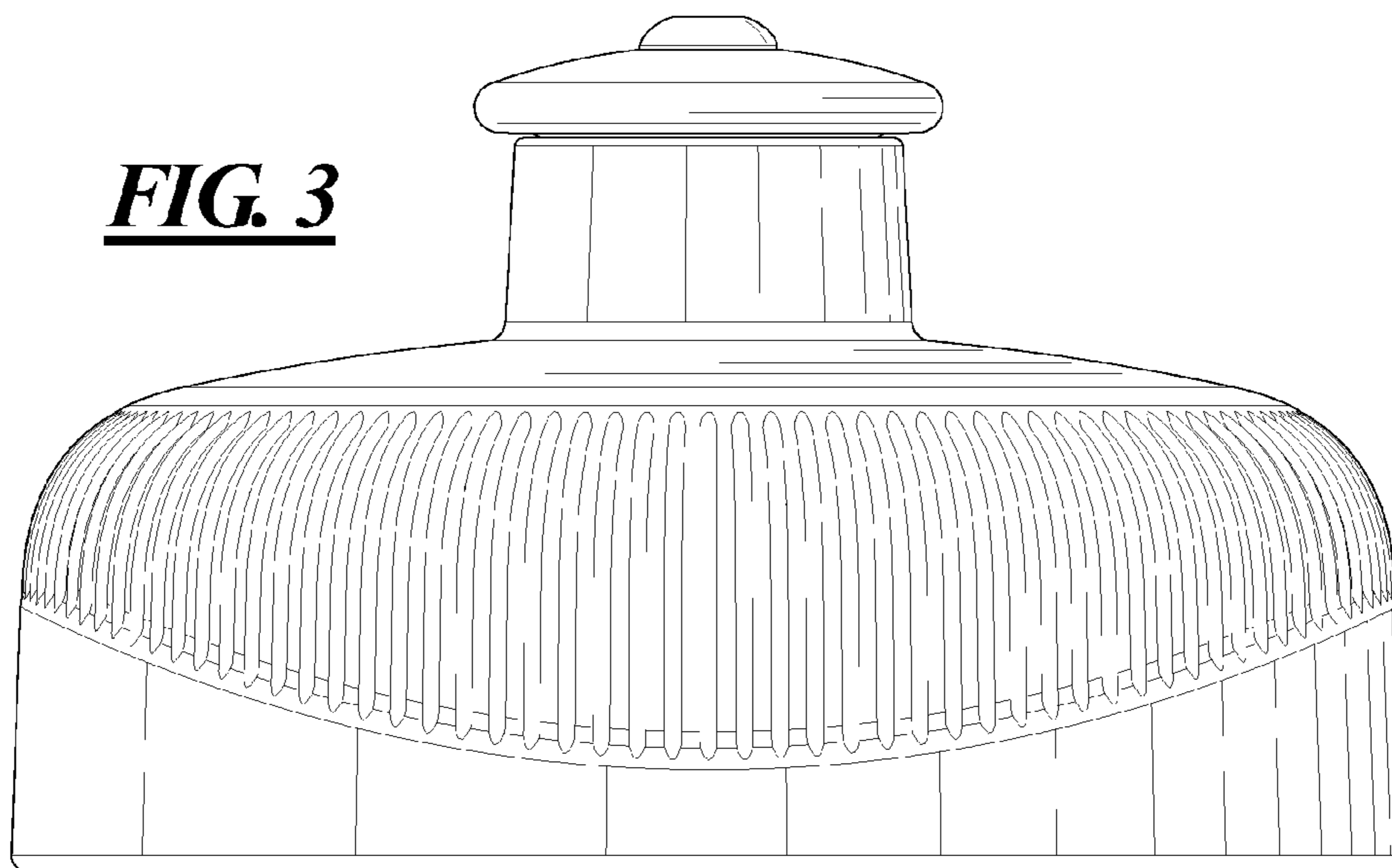


FIG. 4

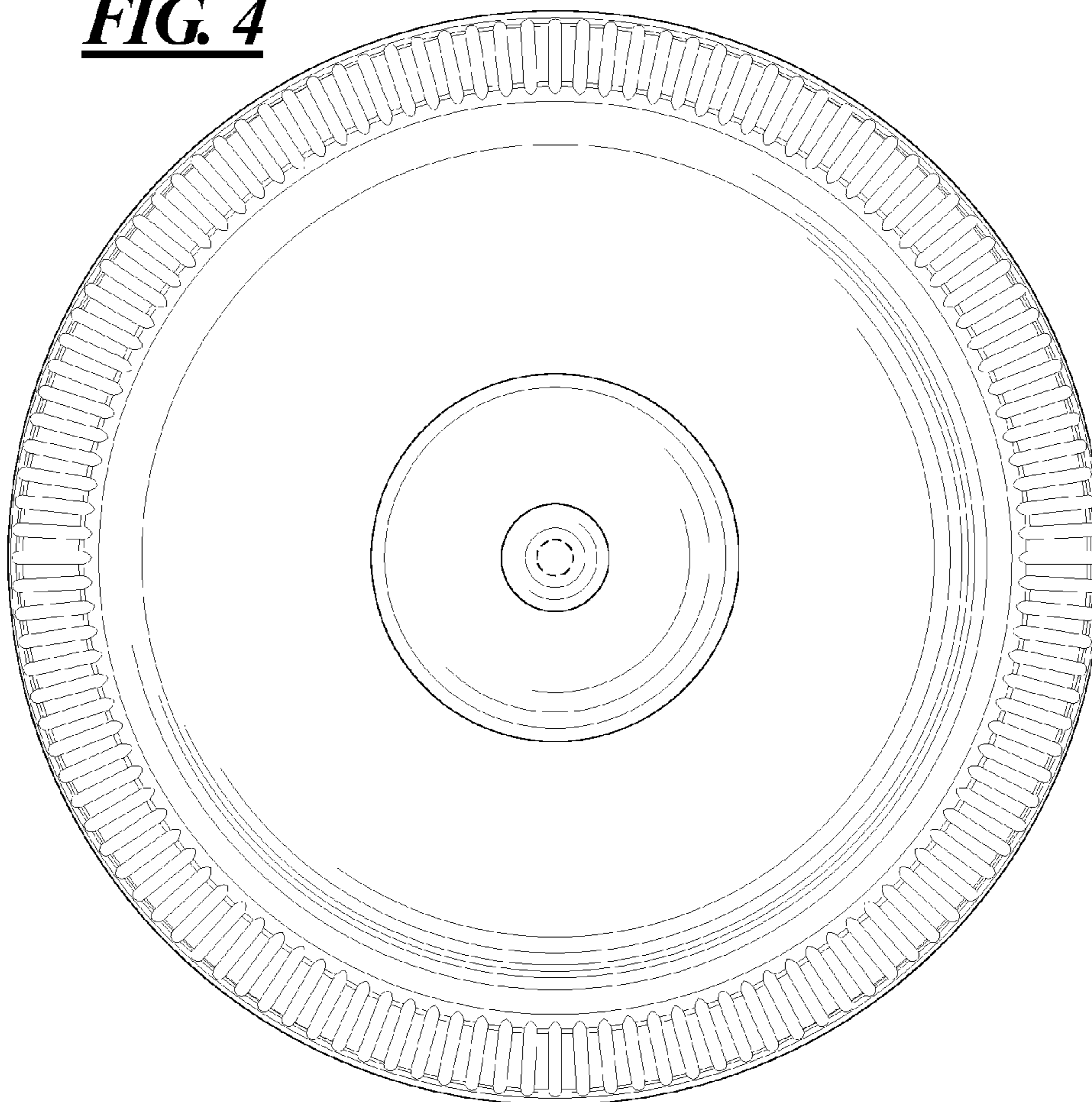


FIG. 5

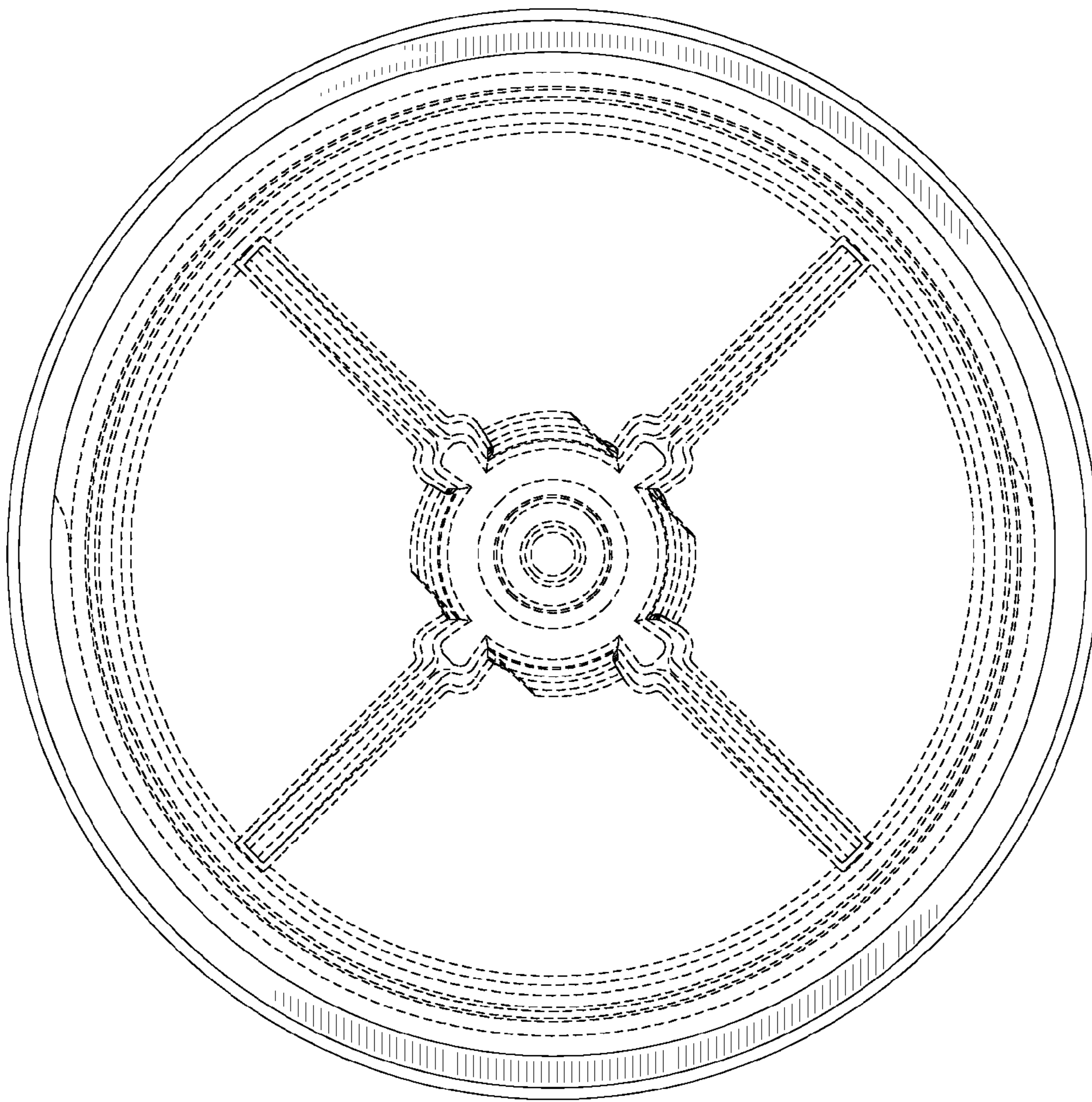


FIG. 6

