



US00D637489S

(12) **United States Design Patent**
Petlak et al.

(10) **Patent No.:** **US D637,489 S**
(45) **Date of Patent:** **** May 10, 2011**

(54) **PULL GRIP FEATURE OF A CONTAINER LID**

(75) Inventors: **Frank A Petlak**, Antioch, IL (US); **H. Bernard Kirkland**, Lindenhurst, IL (US); **John Kerry Hobbs**, McDonough, GA (US)

(73) Assignee: **Pactiv Corporation**, Lake Forest, IL (US)

(**) Term: **14 Years**

(21) Appl. No.: **29/380,840**

(22) Filed: **Dec. 10, 2010**

(51) **LOC (9) Cl.** **09-07**

(52) **U.S. Cl.** **D9/435; D9/443; D9/434**

(58) **Field of Classification Search** **D9/904, D9/756, 435, 434, 425, 424; D7/553.6, 359; D3/302, 204; 220/793, 782, 315, 270**

See application file for complete search history.

(56) **References Cited**

U.S. PATENT DOCUMENTS

853,488	A	5/1907	Weber
1,030,359	A	6/1912	Weber
1,295,032	A	2/1919	Hothersall
1,725,957	A	8/1929	Craver
2,777,601	A	1/1957	Cheeley
2,819,813	A	1/1958	Larsen
2,942,752	A	6/1960	Brunel
3,005,570	A	10/1961	Maulaz
3,050,216	A	8/1962	Norris
3,067,910	A	12/1962	Adamsen
3,073,477	A	1/1963	Betner
3,096,905	A	7/1963	Kenney
3,145,906	A	8/1964	Corrinet
3,168,975	A	2/1965	Buttery et al.
3,170,602	A	2/1965	Suellentrop, Jr. et al.
3,189,214	A	6/1965	Henchert
3,206,111	A	9/1965	Labe
3,244,306	A	4/1966	Stolk
3,246,792	A	4/1966	Brackmann et al.

(Continued)

FOREIGN PATENT DOCUMENTS

EP 1801026 6/2007

(Continued)

OTHER PUBLICATIONS

Design No. 1014339 from the UK Intellectual Property Office, released Feb. 3, 1984.

(Continued)

Primary Examiner — Susan Bennett Hattan

(74) *Attorney, Agent, or Firm* — Baker Botts L.L.P.

(57) **CLAIM**

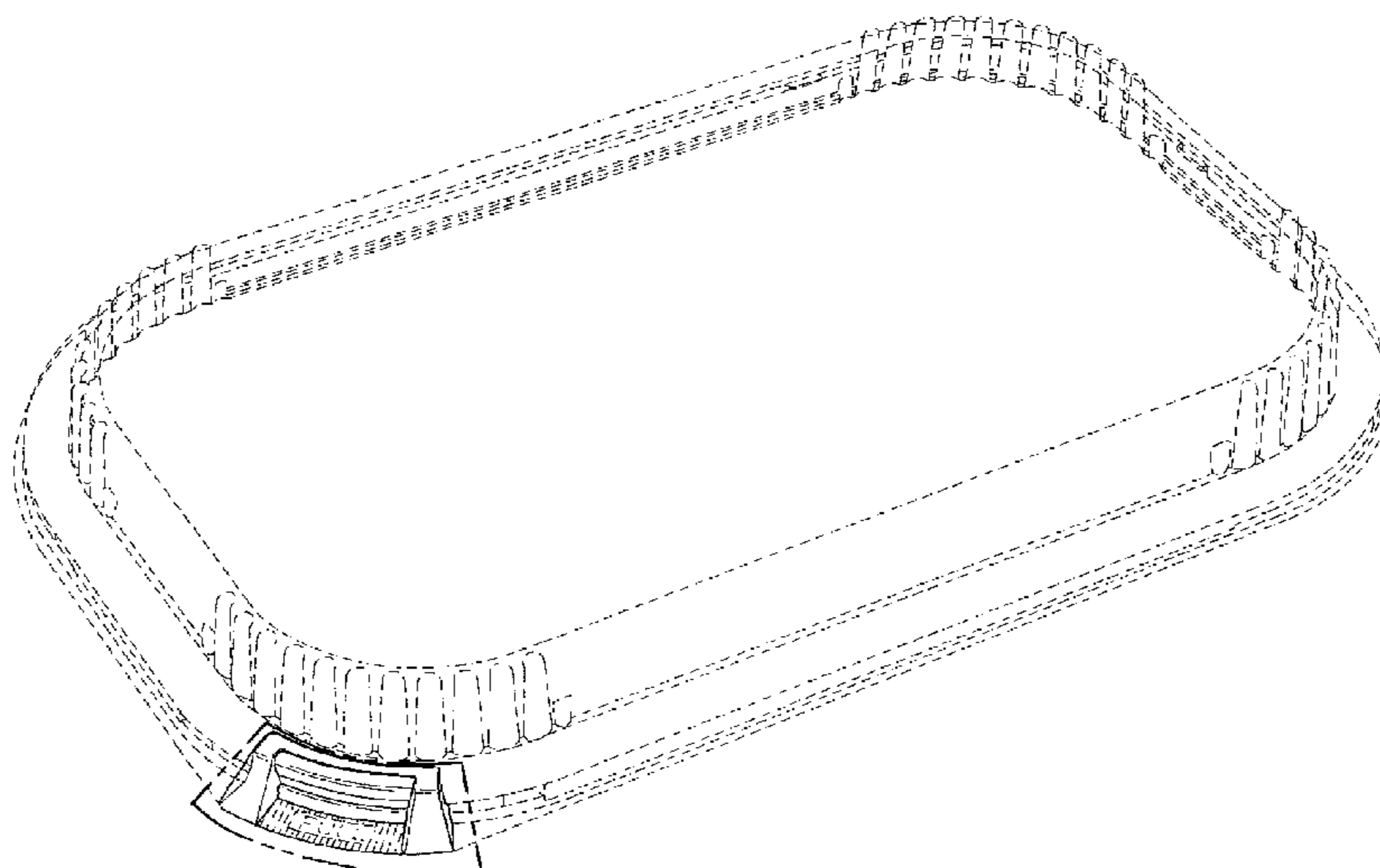
The ornamental design for a pull grip feature of a container lid, as shown and described.

DESCRIPTION

FIG. 1 is a perspective view of the pull grip feature of a container lid, with the container lid shown in broken lines; FIG. 2 is an enlarged perspective view of our design for a pull grip feature of a container lid as shown in FIG. 1; FIG. 3 is a front view of the pull grip feature of a container lid of FIG. 2; FIG. 4 is a back view of the pull grip feature of a container lid of FIG. 2; FIG. 5 is a left side view of the pull grip feature of a container lid of FIG. 2, the right side view being a mirror image thereof; FIG. 6 is a top view of the pull grip feature of a container lid of FIG. 2; and, FIG. 7 is a bottom view of the pull grip feature of a container lid of FIG. 2.

The broken lines shown throughout these figures illustrate environmental subject matter only and form no part of the claimed design.

1 Claim, 7 Drawing Sheets



US D637,489 S

Page 2

U.S. PATENT DOCUMENTS							
3,288,323	A	11/1966	Schechter	4,529,468	A	7/1985	Bloeck et al.
3,300,081	A	1/1967	Muhlhoff	4,533,063	A	8/1985	Buchner et al.
3,355,058	A	11/1967	Asbury	D280,600	S	9/1985	Earl
3,356,250	A	12/1967	Russell	4,557,397	A	12/1985	Yamanashi
3,362,572	A	1/1968	Pelley	4,560,082	A	12/1985	Sutch
3,369,694	A	2/1968	Mauser	D282,823	S	3/1986	Franek et al.
3,383,006	A	5/1968	Knize	D283,312	S	* 4/1986	Ebrahim D9/434
3,416,697	A	12/1968	Ledzion	D285,656	S	9/1986	Champion
3,422,984	A	1/1969	Foster	D285,906	S	9/1986	Tyler
3,424,342	A	1/1969	Scopphoward et al.	4,609,123	A	9/1986	Poncy
3,425,592	A	2/1969	Vogel	4,627,550	A	12/1986	Dines
3,438,533	A	4/1969	Hanisch	4,629,088	A	12/1986	Durgin
3,531,298	A	9/1970	Donahue	D287,573	S	1/1987	Tyler
3,572,579	A	3/1971	Mueller et al.	4,636,273	A	1/1987	Wolfersperger
3,670,919	A	6/1972	Prayer et al.	D289,719	S	5/1987	Daenen et al.
3,674,171	A	7/1972	Fahlbusch	D290,323	S	6/1987	Weernink
3,812,993	A	5/1974	Yoshioka et al.	4,693,390	A	9/1987	Hekal
3,905,513	A	9/1975	Klein	4,703,864	A	11/1987	Larkin et al.
3,930,593	A	1/1976	Ragettli	4,718,571	A	1/1988	Bordner
3,945,528	A	3/1976	Mowrey et al.	4,724,978	A	2/1988	Cleevely et al.
3,946,895	A	3/1976	Pugh	4,724,979	A	2/1988	Cleevely et al.
3,952,914	A	4/1976	Vogt	4,729,488	A	3/1988	Bullock, III
3,955,742	A	5/1976	Marshall	4,735,337	A	4/1988	Von Holdt
3,977,562	A	8/1976	Wedzik	4,738,373	A	4/1988	DeParales
3,980,201	A	9/1976	Keiji	4,741,450	A	5/1988	Braude
3,994,411	A	11/1976	Elfelt	4,744,483	A	5/1988	Hidding
3,998,354	A	12/1976	Song	4,747,509	A	5/1988	Florkiewicz et al.
4,020,969	A	5/1977	Ando	4,747,510	A	5/1988	Mack
4,036,398	A	7/1977	Hoogvelt et al.	4,753,365	A	6/1988	Seppala
4,039,101	A	8/1977	Wells	4,760,934	A	8/1988	Netsch
4,047,634	A	9/1977	McGeehin	4,762,245	A	8/1988	Matsubayashi et al.
D247,952	S	5/1978	Donaldson	4,784,284	A	11/1988	Miyauchi et al.
4,090,660	A	5/1978	Schram	4,787,527	A	11/1988	Monetti
4,106,660	A	8/1978	Boyle	4,790,448	A	12/1988	Ostrum et al.
4,155,481	A	5/1979	Takahashi et al.	4,795,055	A	1/1989	Ingemann
4,162,023	A	7/1979	Faltermeier	4,801,041	A	1/1989	Takata et al.
4,202,459	A	5/1980	Billitzer	4,821,913	A	4/1989	Hidding
4,207,989	A	6/1980	Ingemann	4,828,135	A	5/1989	Kawakami et al.
4,215,793	A	8/1980	Packard	4,830,215	A	5/1989	Rebischung
4,244,491	A	1/1981	Takahashi et al.	D304,422	S	11/1989	Holewinski
4,252,248	A	2/1981	Obrist et al.	D304,547	S	11/1989	Holewinski
4,256,239	A	3/1981	Yamaguchi et al.	4,881,656	A	11/1989	Chumley et al.
4,266,687	A	5/1981	Cummings	4,887,732	A	12/1989	Matsubayashi et al.
D259,403	S	6/1981	Frazier, Jr.	4,895,270	A	1/1990	Main
4,280,634	A	7/1981	Eckes	D306,264	S	2/1990	Malmanger
4,285,442	A	8/1981	Wedzik	4,913,305	A	4/1990	Hanafusa
D261,234	S	10/1981	Abraham	D308,336	S	6/1990	Delbanco
D262,268	S	12/1981	Graser et al.	4,930,656	A	6/1990	Blanchette
D263,450	S	3/1982	Dutcher et al.	4,934,554	A	6/1990	Edwards
4,322,015	A	3/1982	Bailey	4,942,977	A	7/1990	Hidding
4,324,342	A	4/1982	Yamaguchi et al.	4,948,441	A	8/1990	Peck
4,326,649	A	4/1982	Marino et al.	D313,353	S	1/1991	Hart et al.
D264,182	S	5/1982	Kemp et al.	4,988,013	A	1/1991	Kobayashi et al.
4,331,255	A	5/1982	Fournier	4,998,622	A	3/1991	Drack
4,331,256	A	5/1982	Helms	D317,126	S	5/1991	Morris, Sr.
4,332,846	A	6/1982	Fischer et al.	5,022,551	A	6/1991	Hexel
D266,648	S	10/1982	Plewes et al.	5,046,632	A	9/1991	Bordner
D266,649	S	10/1982	Plewes et al.	5,054,641	A	10/1991	Sato
4,356,929	A	11/1982	Muller-Kuhn et al.	5,054,642	A	10/1991	Yoshida
4,360,121	A	11/1982	Helms	5,058,759	A	10/1991	Salmang
D270,619	S	9/1983	Zimmer	5,059,360	A	10/1991	Sato
4,403,710	A	9/1983	Hirota et al.	5,064,087	A	11/1991	Koch
4,407,425	A	10/1983	Combs	D323,616	S	2/1992	Mueller
4,428,494	A	1/1984	Hirota et al.	D325,660	S	4/1992	Rapaz
4,428,498	A	1/1984	Obey	5,103,973	A	4/1992	Sato
4,438,865	A	3/1984	Scattaregia	5,108,003	A	4/1992	Granofsky
4,449,641	A	5/1984	Jorgensen et al.	5,115,934	A	5/1992	Nelson
4,457,445	A	7/1984	Hanks et al.	D328,375	S	7/1992	Levine
4,460,103	A	7/1984	Rama et al.	5,131,554	A	7/1992	Kuo
4,463,869	A	8/1984	Lewis	5,131,556	A	7/1992	Iioka et al.
4,465,205	A	8/1984	Sutch	D328,705	S	8/1992	Krupa
4,473,167	A	9/1984	Bailey	D329,198	S	9/1992	Krupa
4,474,304	A	10/1984	Jacobs	5,147,058	A	9/1992	Seconde et al.
4,476,993	A	10/1984	Krout	D331,683	S	12/1992	Koester
RE31,759	E	12/1984	Ingemann	5,167,338	A	12/1992	Kick
4,501,375	A	2/1985	Katsura et al.	5,183,172	A	2/1993	Boller
4,512,493	A	4/1985	Von Holdt	D334,453	S	3/1993	Koloski
4,513,876	A	4/1985	Buchner	5,197,624	A	3/1993	Dodaro
				5,219,087	A	6/1993	Christensson

US D637,489 S

D337,049	S	7/1993	Morgan et al.	6,032,827	A	3/2000	Zettle et al.
5,225,165	A	7/1993	Perlman	6,036,043	A	3/2000	Erfgen et al.
5,240,133	A	8/1993	Thomas, Jr.	D424,943	S	5/2000	Kokenge et al.
D341,539	S	11/1993	Davis et al.	6,065,629	A	5/2000	Sarnoff et al.
5,269,432	A	12/1993	Beckertgis	6,089,397	A	7/2000	Van Melle
5,299,706	A	4/1994	Wardell, Jr.	6,095,366	A	8/2000	Sova
5,303,839	A	4/1994	Blumenschein	6,098,830	A	8/2000	Jamieson
D348,609	S	7/1994	Eisman et al.	6,106,757	A	8/2000	Ohlsson et al.
5,328,045	A	7/1994	Yoshida	D431,464	S	10/2000	Collins et al.
D349,645	S	8/1994	Van Loo	6,129,234	A	10/2000	Culig
5,335,808	A	8/1994	Lee	6,138,854	A	10/2000	Kaneko et al.
5,335,812	A	8/1994	Boller	D433,328	S	11/2000	Loughnane
D351,791	S	10/1994	Morris, Sr.	D434,981	S	12/2000	Shapiro
D351,792	S	10/1994	Morris, Sr.	6,158,608	A	12/2000	Schlattl
D352,896	S	11/1994	Jones	6,164,480	A	12/2000	Heinicke et al.
5,370,262	A	12/1994	Kato	6,164,485	A	12/2000	Hilton
5,377,860	A	1/1995	Littlejohn et al.	D436,533	S	1/2001	Correll
5,382,408	A	1/1995	Perlman	6,170,696	B1	1/2001	Tucker et al.
D355,735	S	2/1995	Shaffer et al.	D438,106	S	2/2001	Brown et al.
D356,256	S	3/1995	Romanoff	6,193,096	B1	2/2001	Raoult
5,395,005	A	3/1995	Yoshida	D440,470	S	4/2001	Tucker et al.
5,398,836	A	3/1995	Luch et al.	6,209,750	B1	4/2001	Rommel
D358,531	S	5/1995	Cousins et al.	6,237,803	B1	5/2001	Sarnoff et al.
D359,904	S	7/1995	Mabry	D443,798	S	6/2001	Tucker et al.
D361,715	S	8/1995	Hauptert	6,247,608	B1	6/2001	Chang
5,441,166	A	8/1995	Lucas, Jr. et al.	D444,382	S	7/2001	Hayes et al.
D364,090	S	11/1995	Krupa	D445,649	S	7/2001	Maxwell et al.
5,503,289	A	4/1996	Fox	6,260,727	B1	7/2001	Durdon
D374,376	S	10/1996	Goins et al.	D446,077	S	8/2001	Tucker et al.
D374,774	S	10/1996	Cassel	D448,290	S	9/2001	Schultz et al.
5,579,943	A	12/1996	Johnson	D448,291	S *	9/2001	Melhede D9/434
5,613,619	A	3/1997	Van Melle	6,290,084	B1	9/2001	Louie
D379,431	S	5/1997	Mangla	D450,537	S	11/2001	Hayes
5,647,497	A	7/1997	Labbe	6,325,234	B1	12/2001	Legaspi
5,653,355	A	8/1997	Tominaga et al.	6,347,720	B1	2/2002	Schley
D383,063	S	9/1997	Koenig	D454,785	S	3/2002	Nance
D383,606	S	9/1997	Bourbonnais	6,382,438	B1	5/2002	Schneider et al.
5,683,006	A	11/1997	Cook, III	D459,225	S	6/2002	Baxter et al.
D390,459	S	2/1998	King	6,427,860	B1	8/2002	Nishida et al.
D391,162	S	2/1998	Kokenge	6,427,861	B1	8/2002	Cho
D391,762	S	3/1998	Ahern, Jr.	6,450,359	B1	9/2002	Chang
5,743,445	A	4/1998	Benarrouch	D464,886	S	10/2002	Bried et al.
5,806,710	A	9/1998	Shiffer	6,467,647	B1	10/2002	Tucker et al.
5,813,559	A	9/1998	Cho	D465,382	S	11/2002	Wolf et al.
5,813,561	A	9/1998	Chang	D465,728	S	11/2002	Feyereisen
D399,739	S	10/1998	Sheffer	D466,408	S	12/2002	Baerenwald et al.
5,816,422	A	10/1998	Roig	D467,801	S	12/2002	Baerenwald et al.
5,816,427	A	10/1998	Beckertgis	D469,011	S	1/2003	Miller
5,819,973	A	10/1998	Traub, Sr.	D469,352	S	1/2003	Conti
5,829,623	A	11/1998	Otsuka et al.	6,505,753	B1	1/2003	Freek et al.
D401,853	S	12/1998	Stavridis	6,513,420	B1	2/2003	Park
5,851,333	A	12/1998	Fagnant et al.	D474,402	S	5/2003	Baerenwald
5,857,582	A	1/1999	Schulz	6,604,647	B1	8/2003	Luburic
D405,003	S	2/1999	Dapsanase	D480,633	S	10/2003	Miranda
5,879,120	A	3/1999	Jakobsen	D481,631	S	11/2003	Menceles
5,881,905	A	3/1999	Brady	6,647,865	B2	11/2003	Holl
D407,974	S	4/1999	Zimmer et al.	D484,045	S	12/2003	Conti
5,894,950	A	4/1999	Kick	6,669,046	B1	12/2003	Sawada et al.
D409,484	S	5/1999	Tasker	D485,468	S	1/2004	Roth et al.
D409,910	S	5/1999	Hayes et al.	D485,754	S	1/2004	Fielder et al.
D411,742	S	6/1999	Kokenge et al.	6,711,989	B1	3/2004	Sarnoff
D411,747	S	6/1999	Kokenge et al.	D489,004	S	4/2004	Parman
5,911,331	A	6/1999	Boller	D489,975	S	5/2004	Jackson et al.
5,927,536	A	7/1999	Oyagi et al.	6,758,131	B1	7/2004	Joubert
5,934,497	A	8/1999	Chang	D494,468	S	8/2004	Vovan
5,944,214	A	8/1999	Conti et al.	6,802,429	B1	10/2004	Wildman
5,947,323	A	9/1999	Freek et al.	D499,644	S	12/2004	Sarnoff
D415,680	S	10/1999	Sheffer	D500,924	S	1/2005	Martin
D416,487	S	11/1999	Shapiro	D502,060	S	2/2005	Dais et al.
D417,150	S	11/1999	Shapiro	D502,061	S	2/2005	Dais et al.
5,976,294	A	11/1999	Fagnant et al.	6,851,568	B2	2/2005	Herrmann
5,988,424	A	11/1999	Kovens	D502,871	S	3/2005	Ghini et al.
5,992,671	A	11/1999	Wardani	D503,616	S	4/2005	Ghini et al.
5,992,679	A	11/1999	Porchia et al.	D505,082	S	5/2005	Bruce et al.
5,996,833	A	12/1999	Lencioni et al.	D505,839	S	6/2005	Stanos et al.
6,006,943	A	12/1999	Laney	D505,840	S	6/2005	Schultz et al.
D418,411	S	1/2000	Shapiro	D506,132	S	6/2005	De-Vries
D420,285	S	2/2000	Sagan et al.	6,910,599	B2	6/2005	Tucker et al.
6,029,843	A	2/2000	Kroscher et al.	D512,636	S	12/2005	Pace

US D637,489 S

D513,175 S	12/2005	Fielder et al.	D621,704 S	8/2010	Lymn et al.
D513,178 S	12/2005	Bruun	D622,588 S	8/2010	Wichmann et al.
D513,386 S	1/2006	Pace et al.	2002/0088804 A1	7/2002	Omura
D513,979 S	1/2006	Snedden et al.	2002/0096520 A1	7/2002	Chang et al.
D514,438 S	2/2006	Snedden et al.	2002/0100757 A1	8/2002	Shih
D514,439 S	2/2006	Snedden et al.	2002/0104843 A1	8/2002	Smith et al.
D514,440 S	2/2006	Snedden et al.	2002/0134783 A1	9/2002	Arshinoff
D514,441 S	2/2006	Snedden et al.	2002/0148834 A1	10/2002	Luburic
D514,929 S	2/2006	Snedden et al.	2003/0052127 A1	3/2003	Mazzarolo
D514,930 S	2/2006	Snedden et al.	2003/0075545 A1	4/2003	Herrmann
D514,931 S	2/2006	Snedden et al.	2003/0089726 A1	5/2003	Mazzarolo
D514,936 S	2/2006	Pace et al.	2003/0189048 A1	10/2003	Luburic
D515,426 S	2/2006	Pace et al.	2003/0209551 A1	11/2003	Park
D515,928 S	2/2006	Pace	2004/0079755 A1	4/2004	Graus
D518,265 S	3/2006	Prokop et al.	2004/0079757 A1	4/2004	Cicccone
D518,957 S	4/2006	DeCarlo et al.	2004/0084455 A1	5/2004	Shosheny
D520,871 S *	5/2006	Geisselbrecht et al. D9/435	2004/0195239 A1	10/2004	Rush et al.
D521,374 S	5/2006	Ghini et al.	2004/0226951 A1	11/2004	Talmon
D521,380 S	5/2006	Jackson et al.	2005/0029267 A1	2/2005	Martin et al.
D523,752 S	6/2006	Bried et al.	2005/0045633 A1	3/2005	Roeterdink et al.
7,086,551 B2	8/2006	Von Holdt, Jr.	2005/0092751 A1	5/2005	Alvares et al.
7,090,088 B2	8/2006	Von Holdt, Jr.	2005/0150891 A1	7/2005	Schalk et al.
D527,956 S	9/2006	Doliwa	2005/0224497 A1	10/2005	Wook
D528,412 S	9/2006	Snedden et al.	2006/0011631 A1	1/2006	Dengel et al.
D528,908 S	9/2006	Faktorovich et al.	2006/0011632 A1	1/2006	Caille
D529,798 S	10/2006	Snedden et al.	2006/0060582 A1	3/2006	Martinez Gomez
D530,198 S	10/2006	Snedden et al.	2006/0151502 A1	7/2006	Liou
D531,036 S	10/2006	Bried et al.	2006/0151511 A1	7/2006	Kaposi
D531,501 S *	11/2006	Gomoll et al. D9/435	2006/0163254 A1	7/2006	Wichelhaus
D533,059 S *	12/2006	Knutson et al. D9/435	2006/0201944 A1	9/2006	Shibasaka et al.
D534,422 S	1/2007	Hallberg	2006/0201959 A1	9/2006	Hornbeck
D535,875 S	1/2007	Carmichael et al.	2007/0039962 A1	2/2007	Booty, Sr.
7,159,733 B2	1/2007	Pickles	2007/0045317 A1	3/2007	Rosender et al.
7,165,926 B2	1/2007	Rieck	2007/0051725 A1	3/2007	Glade
7,168,586 B2	1/2007	Jeon	2007/0062948 A1 *	3/2007	Albrecht et al. 220/266
D536,245 S	2/2007	Bruun	2007/0062949 A1	3/2007	Bordner
D539,134 S	3/2007	Wallach	2007/0108209 A1	5/2007	Jeon
D542,128 S	5/2007	Gross et al.	2007/0108210 A1	5/2007	Alvares et al.
D547,115 S	7/2007	Bouveret et al.	2007/0131693 A1	6/2007	Matsukawa et al.
D548,583 S	8/2007	Carmichael et al.	2007/0138178 A1	6/2007	Erickson
D549,050 S	8/2007	Spencer et al.	2007/0215621 A1	9/2007	Shinguryo et al.
7,261,219 B2	8/2007	Tucker et al.	2007/0284374 A1	12/2007	Chen
D559,677 S	1/2008	Laib	2008/0000905 A1	1/2008	Omura
D567,089 S	4/2008	Glydon et al.	2008/0006630 A1	1/2008	Messina
D567,091 S	4/2008	Glydon et al.	2008/0067173 A1	3/2008	Booty, Sr.
D569,243 S *	5/2008	Kidd et al. D9/425	2008/0087673 A1	4/2008	Cheng
D575,155 S	8/2008	Kinds et al.	2008/0156802 A1	7/2008	Yauk et al.
D578,883 S	10/2008	Kisch	2008/0197132 A1	8/2008	Hasegawa et al.
D580,753 S	11/2008	Liden et al.	2008/0203095 A1	8/2008	Magno
D580,859 S	11/2008	Jones et al.	2008/0272120 A1	11/2008	Delport et al.
D581,809 S	12/2008	Wichowski	2008/0290091 A1	11/2008	Shiffer et al.
D582,063 S	12/2008	Spangler et al.	2008/0308489 A1	12/2008	Coudurier et al.
D582,580 S	12/2008	Spangler et al.	2009/0071961 A1	3/2009	Seelhofer
D585,734 S	2/2009	Doliwa	2009/0078715 A1 *	3/2009	Kim 220/782
D587,567 S	3/2009	Peyser et al.	2009/0090716 A1	4/2009	Stengel, Jr.
D588,417 S	3/2009	Doliwa	2009/0188925 A1	7/2009	Ek
7,500,577 B2	3/2009	Wichelhaus	2009/0200306 A1	8/2009	Breunig
D589,759 S	4/2009	Ozery et al.	2009/0206082 A1	8/2009	Vovan
D590,706 S	4/2009	Doliwa et al.	2009/0230134 A1	9/2009	Romandy
D592,049 S	5/2009	Doliwa et al.	2009/0261102 A1	10/2009	Sparks
D596,025 S	7/2009	Mordechai	2009/0261110 A1	10/2009	Choi
D598,740 S	8/2009	Auer et al.	2009/0272749 A1	11/2009	Romandy et al.
7,571,675 B1	8/2009	Cappadona et al.	2010/0032433 A1	2/2010	Kobayashi
D600,940 S	9/2009	Elia et al.	2010/0059517 A1	3/2010	An
7,594,591 B2	9/2009	Gnatenko	2010/0084400 A1	4/2010	Juliani
D604,604 S	11/2009	Strange	2010/0155289 A1	6/2010	Nazareth et al.
7,617,948 B2	11/2009	Cheng	2010/0193523 A1	8/2010	Beisheim
D610,875 S	3/2010	Wingfield et al.	2010/0221391 A1	9/2010	Deng et al.
D611,807 S	3/2010	Miga, Jr.			
D612,233 S	3/2010	Westemeyer			
7,694,837 B2	4/2010	Robertson et al.			
7,703,625 B2	4/2010	Westphal			
D616,742 S	6/2010	Lymn et al.			
D618,091 S	6/2010	Bizzell			
D618,509 S	6/2010	Aarnoudse			
7,740,730 B2	6/2010	Schedl et al.			
D619,891 S	7/2010	Lymn et al.			
D619,895 S	7/2010	Kisterev et al.			
7,757,879 B2	7/2010	Schuetz et al.			

FOREIGN PATENT DOCUMENTS

WO WO 2007084892 7/2007

OTHER PUBLICATIONS

Design No. 1043570 from the UK Intellectual Property Office, released Dec. 10, 1987.
 Design No. 2054895 from the UK Intellectual Property Office, released Jul. 18, 1996.
 Design No. 2094989 from the UK Intellectual Property Office, released Oct. 31, 2000.

US D637,489 S

Page 5

Design No. 2106843 from the UK Intellectual Property Office, released Feb. 19, 2002.

Cambro, Product Listing for 12, 18 & 22 Quart Container Lids, accessed Nov. 3, 2010.

Carlisle Food Containers, Product Listing for 18 quart Translucent Square Lid, accessed Nov. 3, 2010.

PJ's Janitorial, Product Listing for Fresh View 4000 Series Entrée Food Container Lids, accessed Nov. 3, 2010.

GenPak, Product Listing for 32 oz. Microwave Safe Container, accessed Nov. 3, 2010.

* cited by examiner

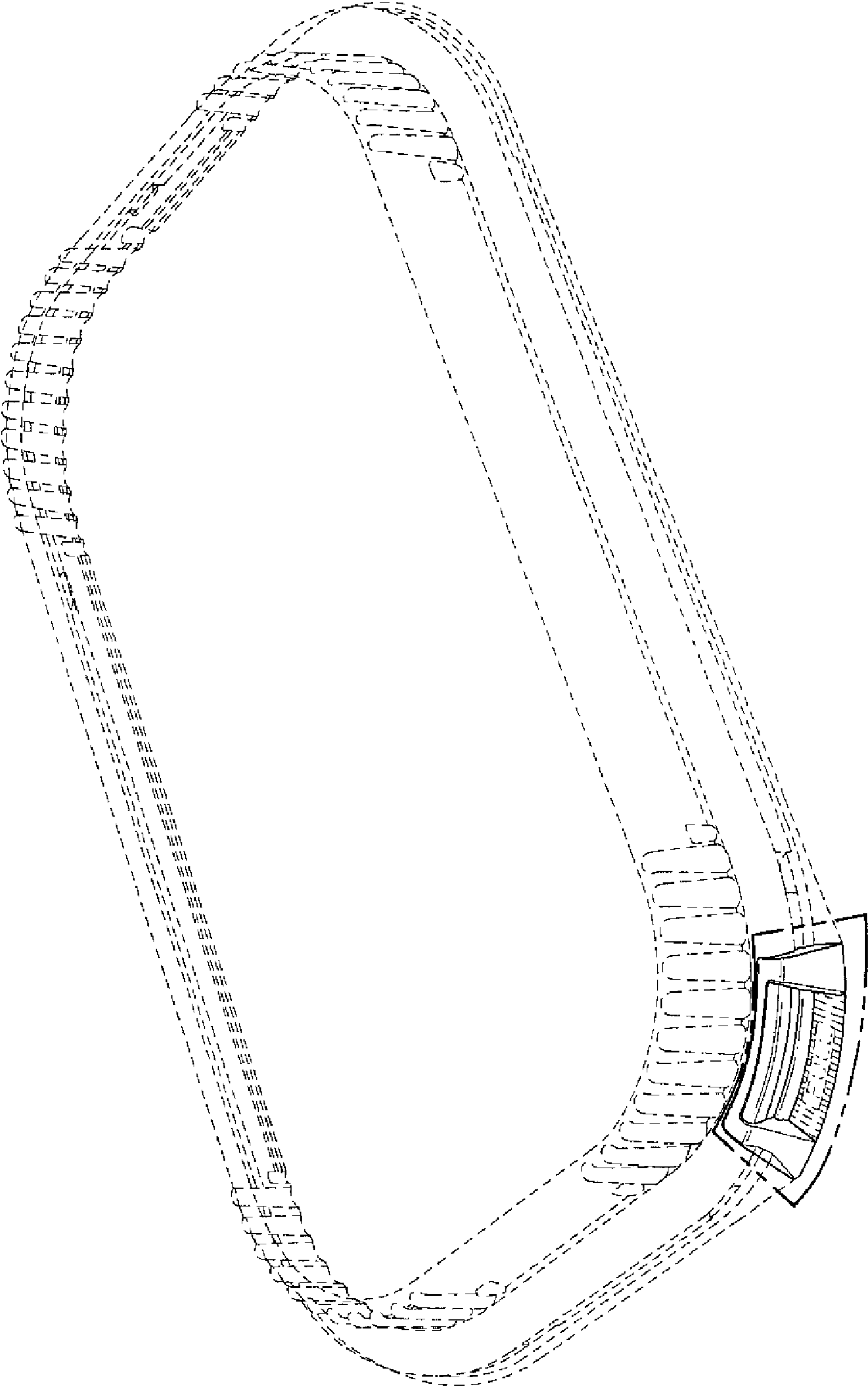


FIG. 1

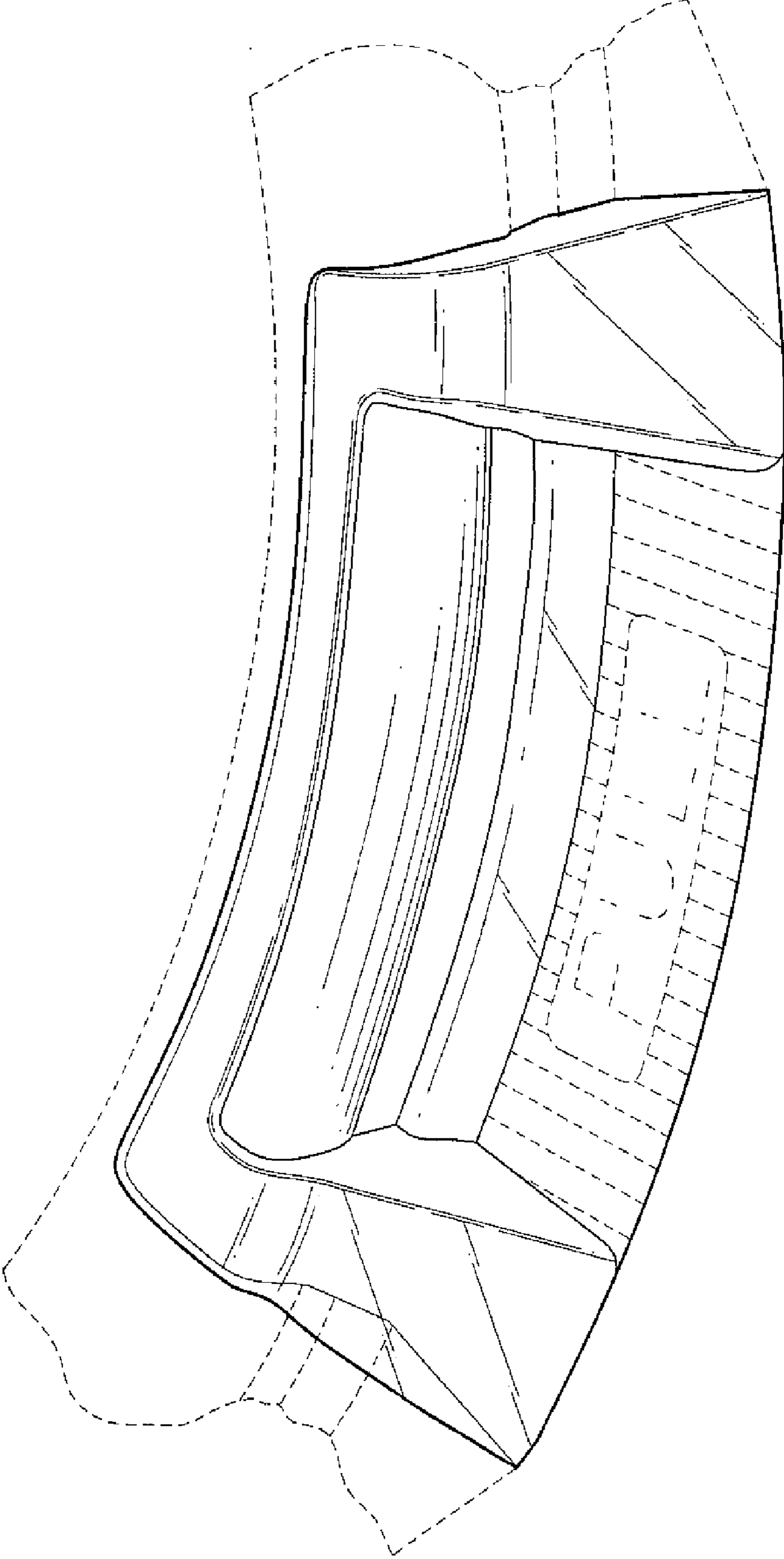


FIG.2

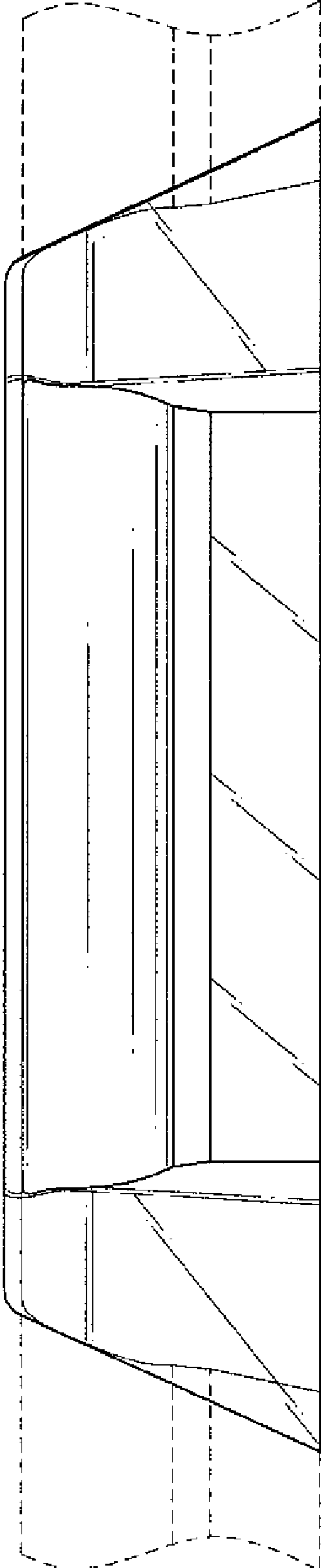


FIG. 3

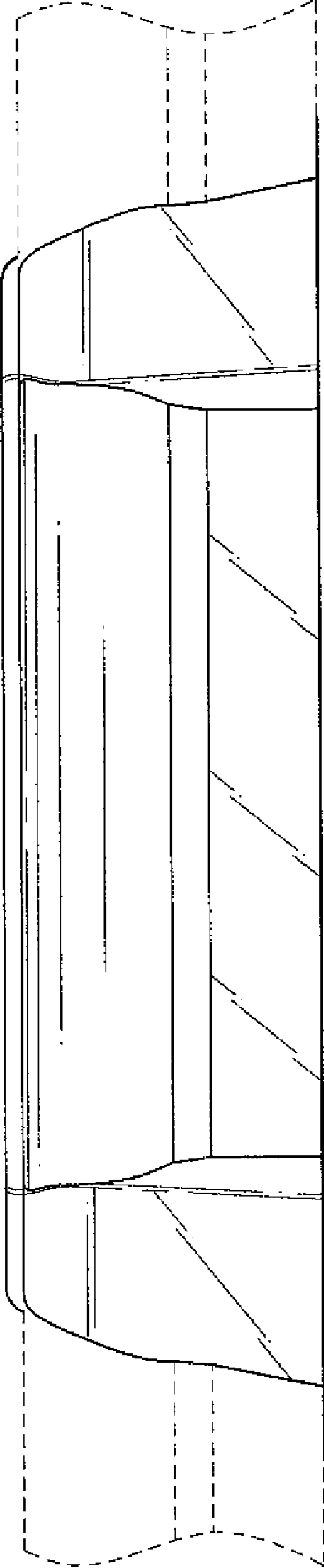


FIG. 4

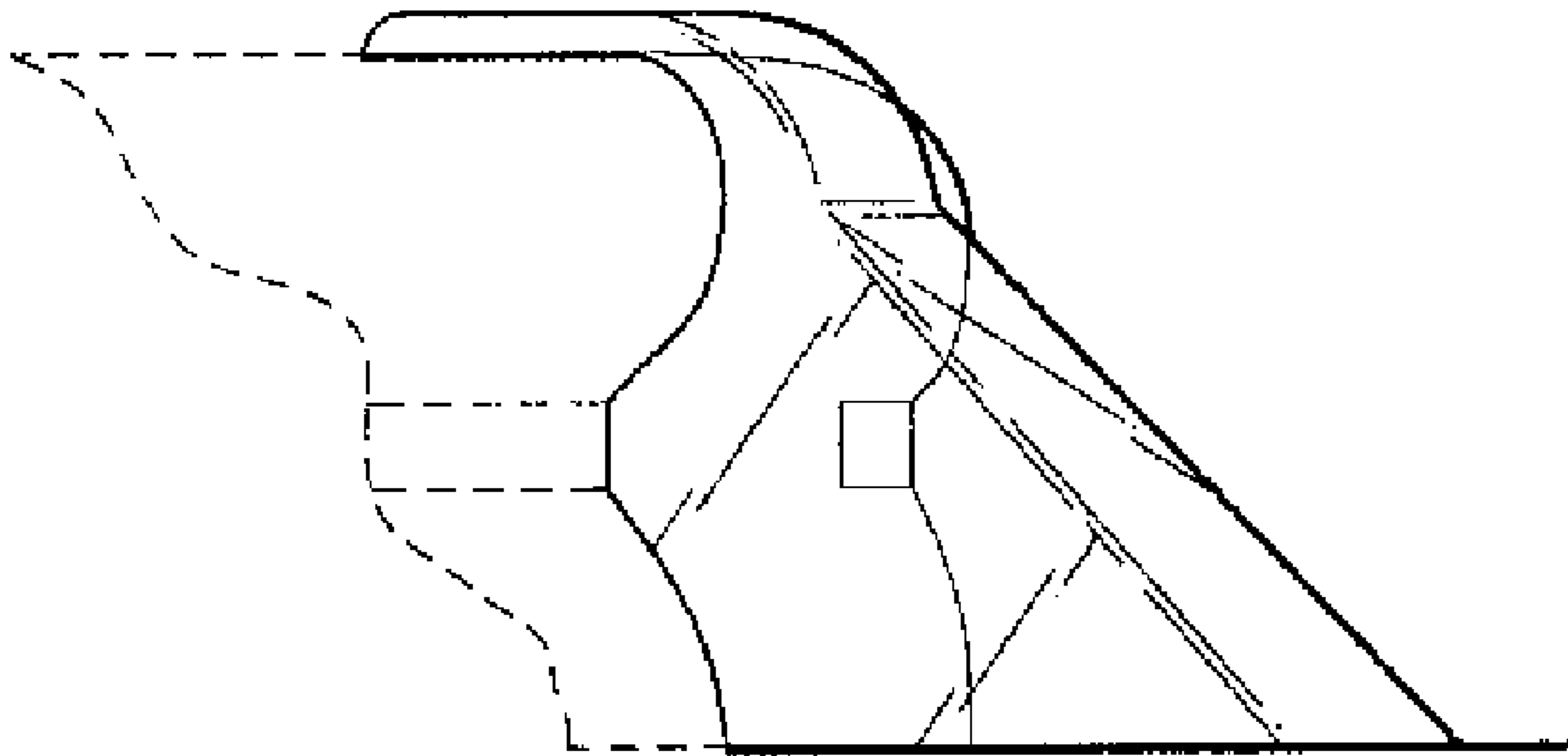


FIG. 5

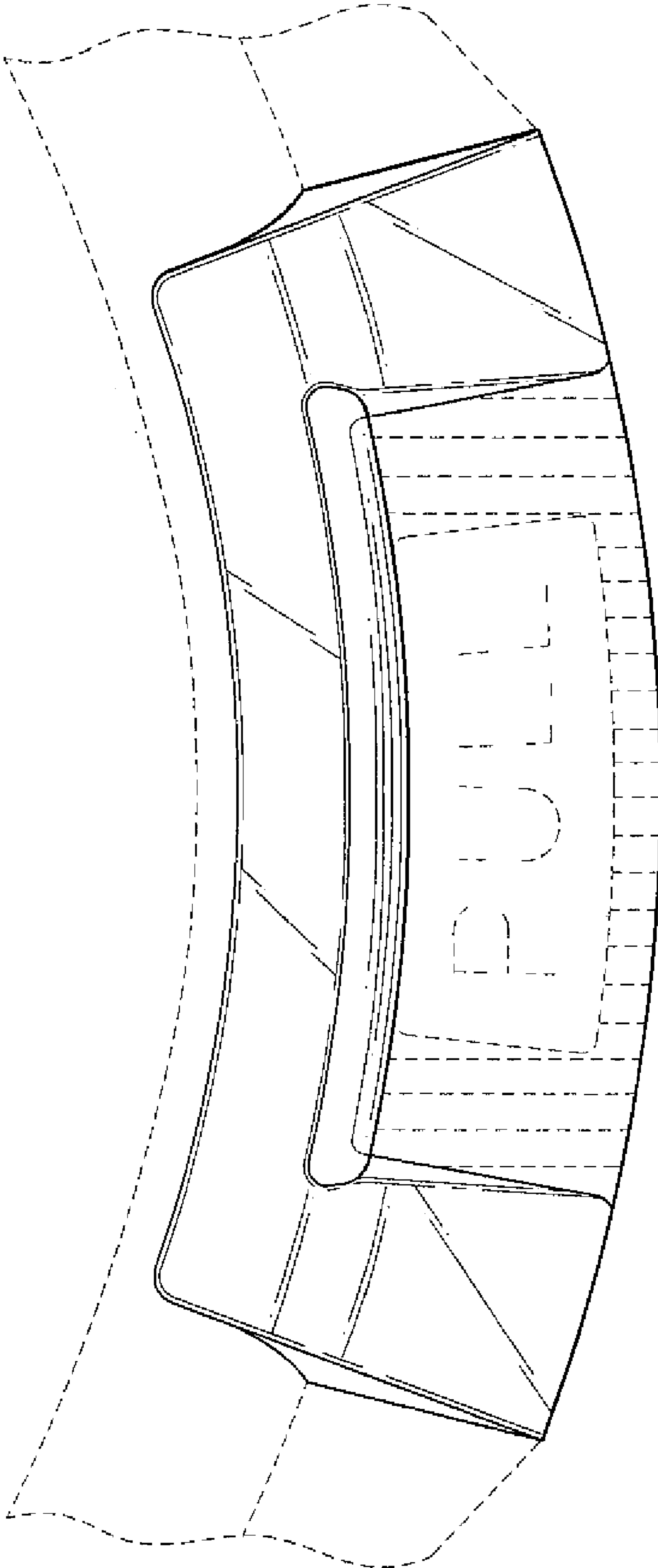


FIG. 6

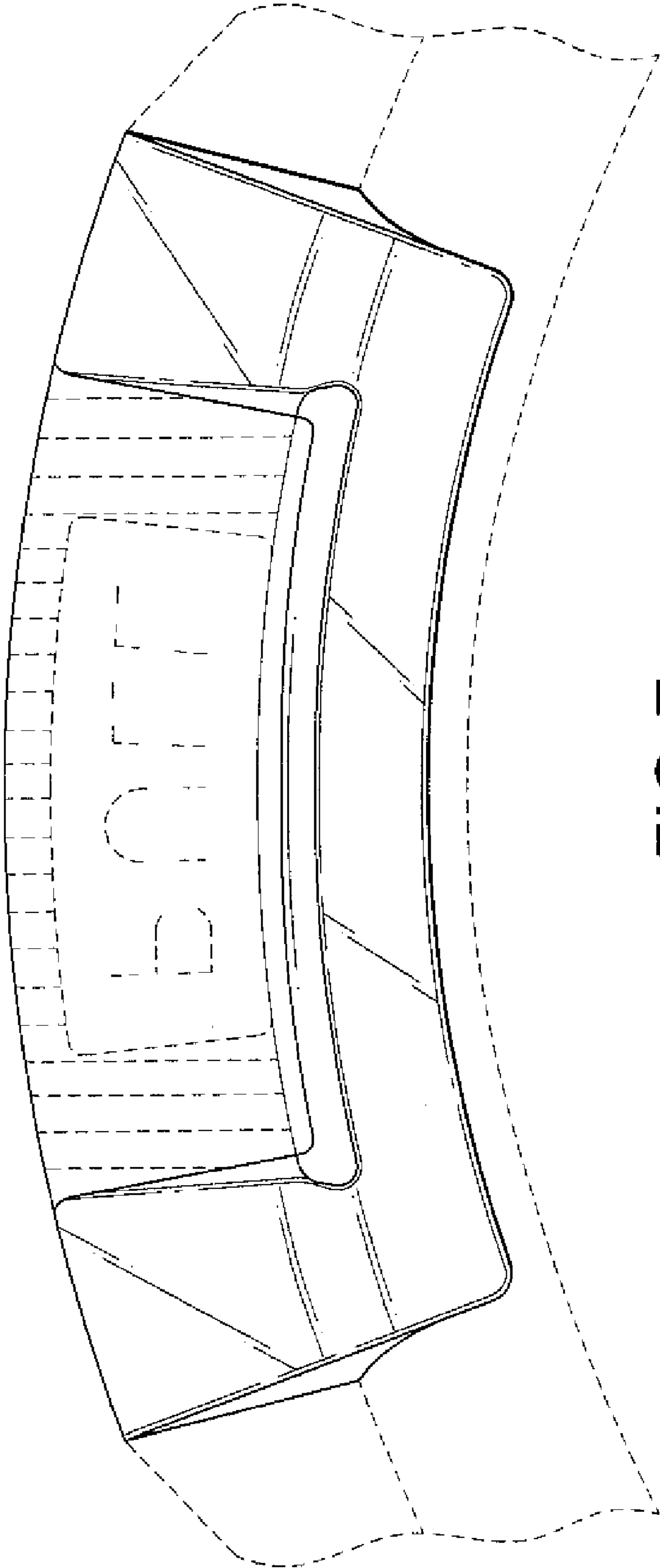


FIG. 7