



US00D637488S

(12) **United States Design Patent**
Franic

(10) **Patent No.:** **US D637,488 S**
(45) **Date of Patent:** **** May 10, 2011**

(54) **PORTION OF A CARTON**

(75) Inventor: **Ivica Franic**, Vienna (AT)

(73) Assignee: **Elopak Systems AG**, Glatthbrugg (CH)

(**) Term: **14 Years**

(21) Appl. No.: **29/370,428**

(22) Filed: **Jul. 15, 2010**

Related U.S. Application Data

(62) Division of application No. 29/316,835, filed on Nov. 5, 2009, now Pat. No. Des. 629,295, which is a division of application No. 29/304,644, filed on Mar. 11, 2009, now Pat. No. Des. 594,141.

Foreign Application Priority Data

(30) Sep. 11, 2007 (EM) 788138

(51) **LOC (9) Cl.** **09-03**

(52) **U.S. Cl.** **D9/433**

(58) **Field of Classification Search** D9/430-433, D9/414, 418, 420-423, 435, 560, 561; D3/201, D3/272, 273, 305; 206/278, 297, 299, 320, 206/339, 433, 769, 770, 775, 776, 781, 782, 206/822; 229/100, 103.3, 104-106, 107, 229/108, 108.1, 110, 111, 112, 115, 117.16, 229/120, 125.015, 120.32, 133.24, 122.29, 229/124, 160.1, 162.1, 162.6, 163, 182.1, 229/201, 406, 407, 902, 904, 906, 922, 930, 229/939, 942; D5/32, 66
See application file for complete search history.

References Cited

U.S. PATENT DOCUMENTS

4,219,145 A * 8/1980 Jaeschke et al. 229/120
4,270,692 A * 6/1981 Webinger 206/0.5

D272,643 S * 2/1984 Stairs, Jr. D23/304
4,846,396 A * 7/1989 Palazzolo 229/117.12
D391,847 S * 3/1998 Seo et al. D9/417
D394,385 S * 5/1998 Laughlin D9/431
6,079,556 A * 6/2000 Draghetti et al. 206/268
D460,355 S * 7/2002 Lenz et al. D9/431
D518,368 S * 4/2006 Tachikawa et al. D9/415
D518,371 S * 4/2006 Franic D9/431
D521,373 S * 5/2006 Stanton D9/430
D521,376 S * 5/2006 Mosto D9/430
D553,496 S * 10/2007 Martuch et al. D9/432
D562,130 S * 2/2008 Kortsmit et al. D9/430
7,395,643 B2 * 7/2008 Franchini et al. 53/436
D589,343 S * 3/2009 Bohache et al. D9/430
D596,027 S * 7/2009 Kalberer D9/432
D616,300 S * 5/2010 Shaikh D9/430
D616,301 S * 5/2010 Stephens D9/430
D624,404 S * 9/2010 Darbonne D9/431
D624,405 S * 9/2010 Franic D9/433
2008/0223912 A1 * 9/2008 Ayats Ardite et al. 229/141

* cited by examiner

Primary Examiner — T. Chase Nelson

Assistant Examiner — Karen Acker

(74) *Attorney, Agent, or Firm* — Warn Partners, P.C.

CLAIM

(57) The ornamental design for a portion of a carton, as shown and described.

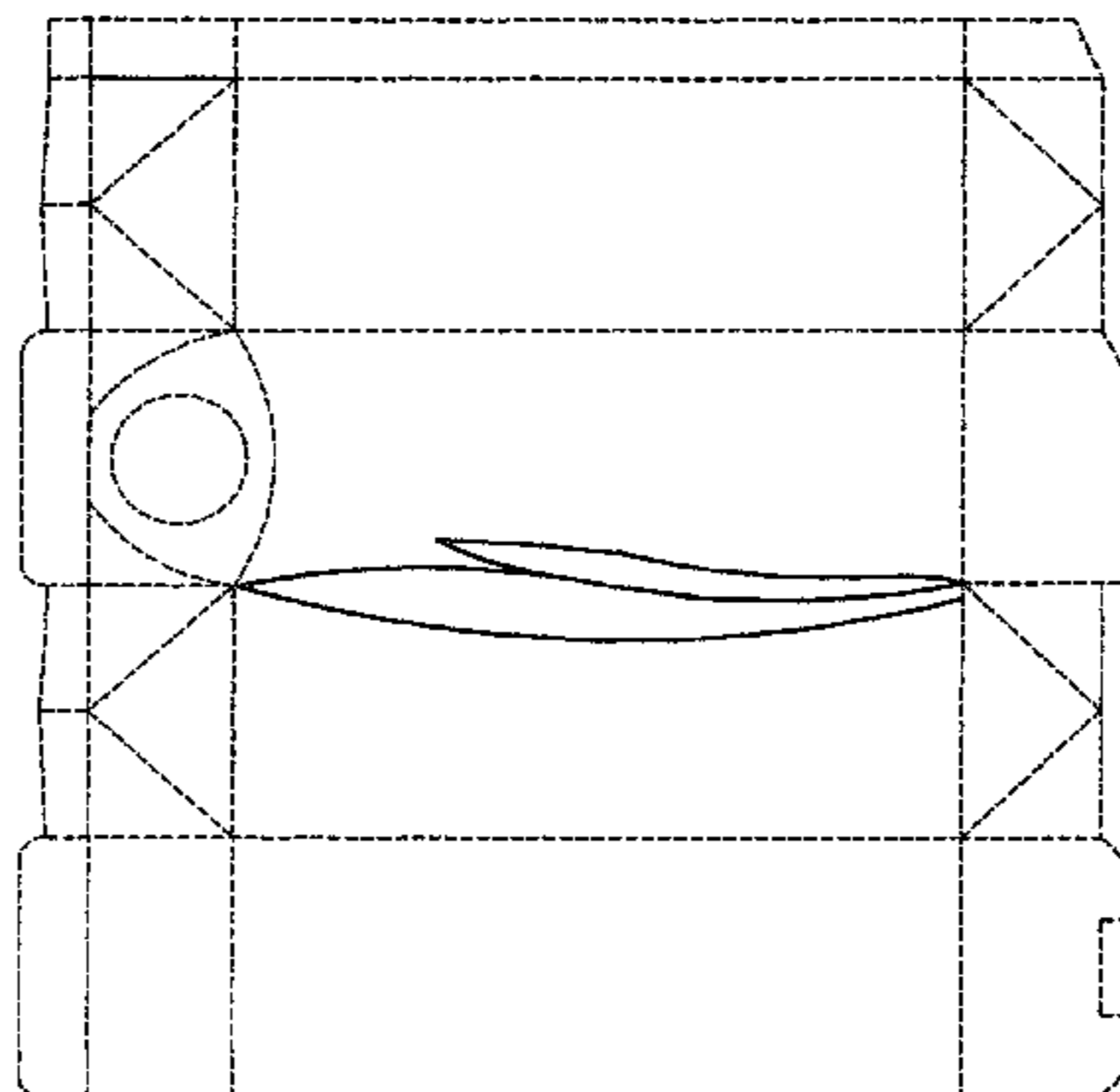
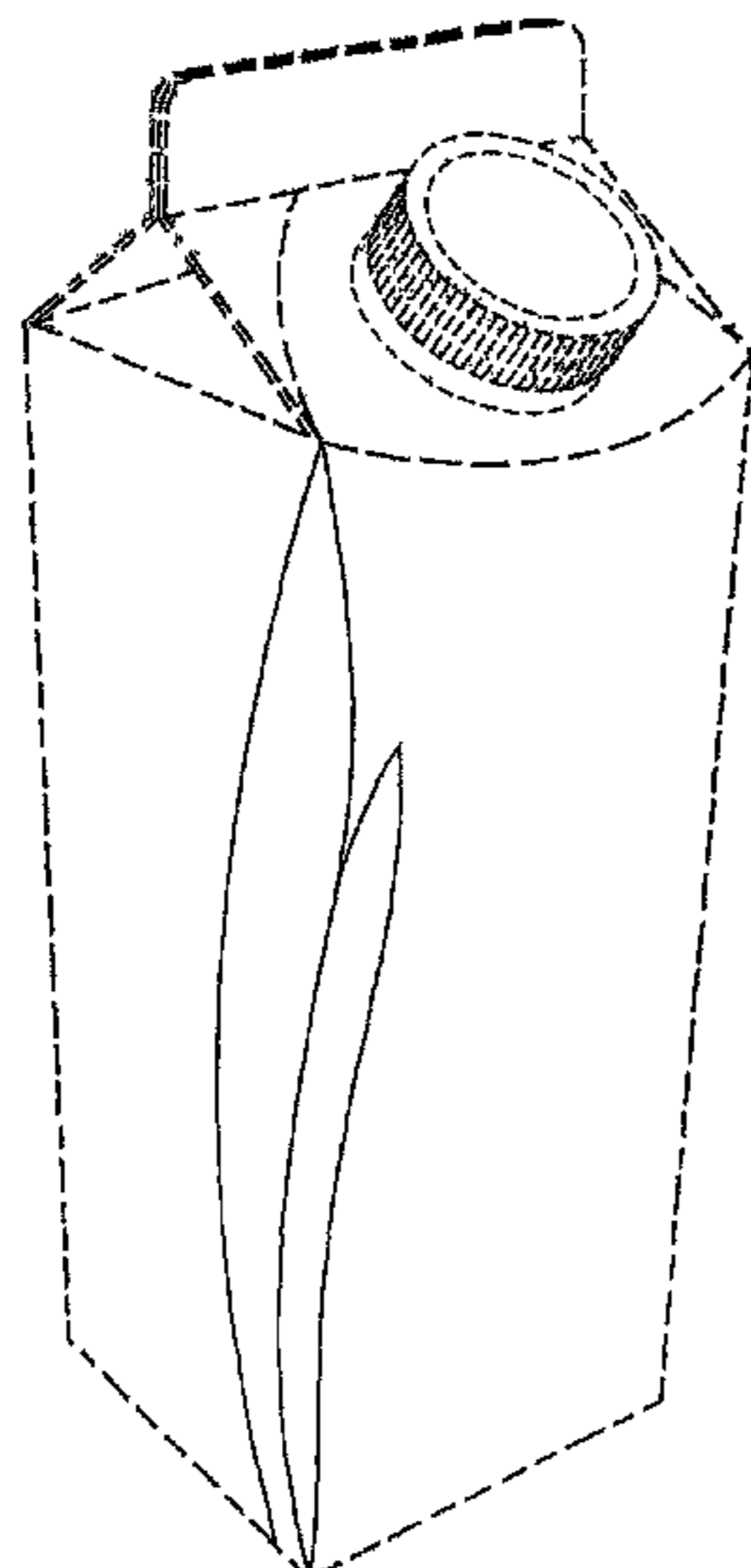
DESCRIPTION

FIG. 1 is a front perspective view of a portion of a carton of the present invention shown in a position of use as part of a carton structure in broken line;

FIG. 2 is a plan view of the outer surface of the design of FIG. 1 shown in an alternate position of use; and,
FIG. 3 is a rear perspective view of the design of FIG. 1 in a third position of use.

The claim is directed to the solid lines and the area within solid lines. The carton drawn in broken lines represents unclaimed environmental subject matter.

1 Claim, 3 Drawing Sheets



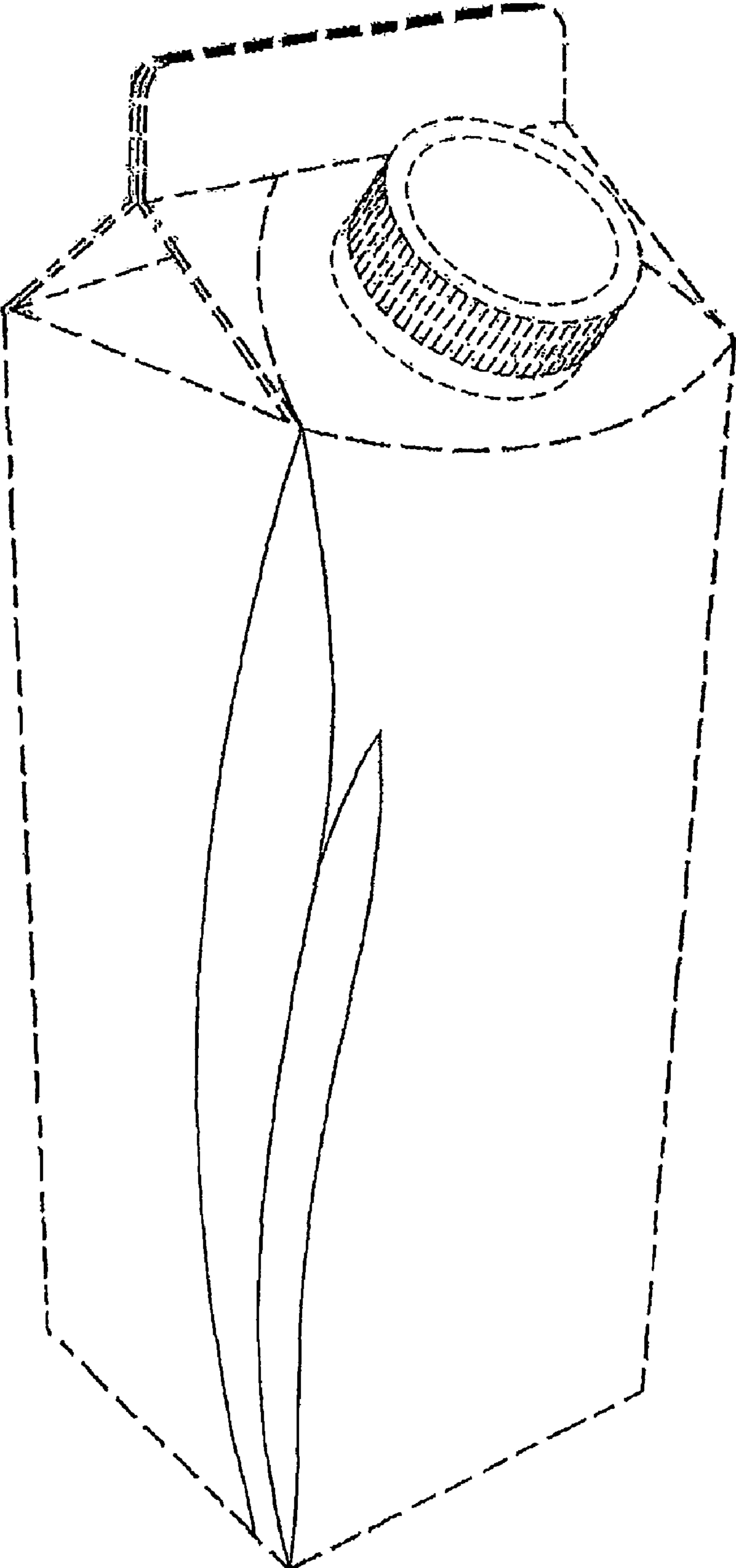


FIG. 1

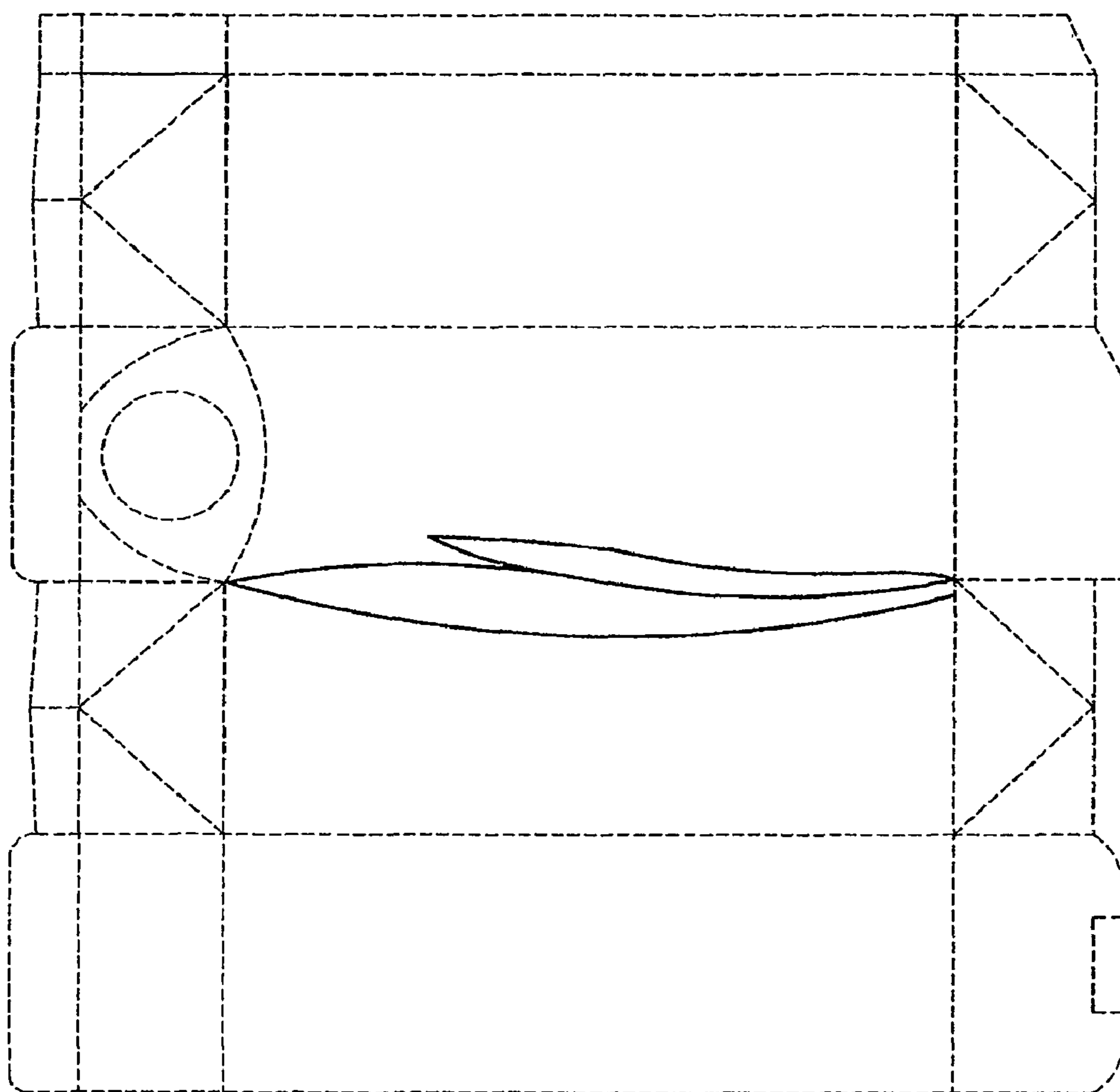


FIG. 2

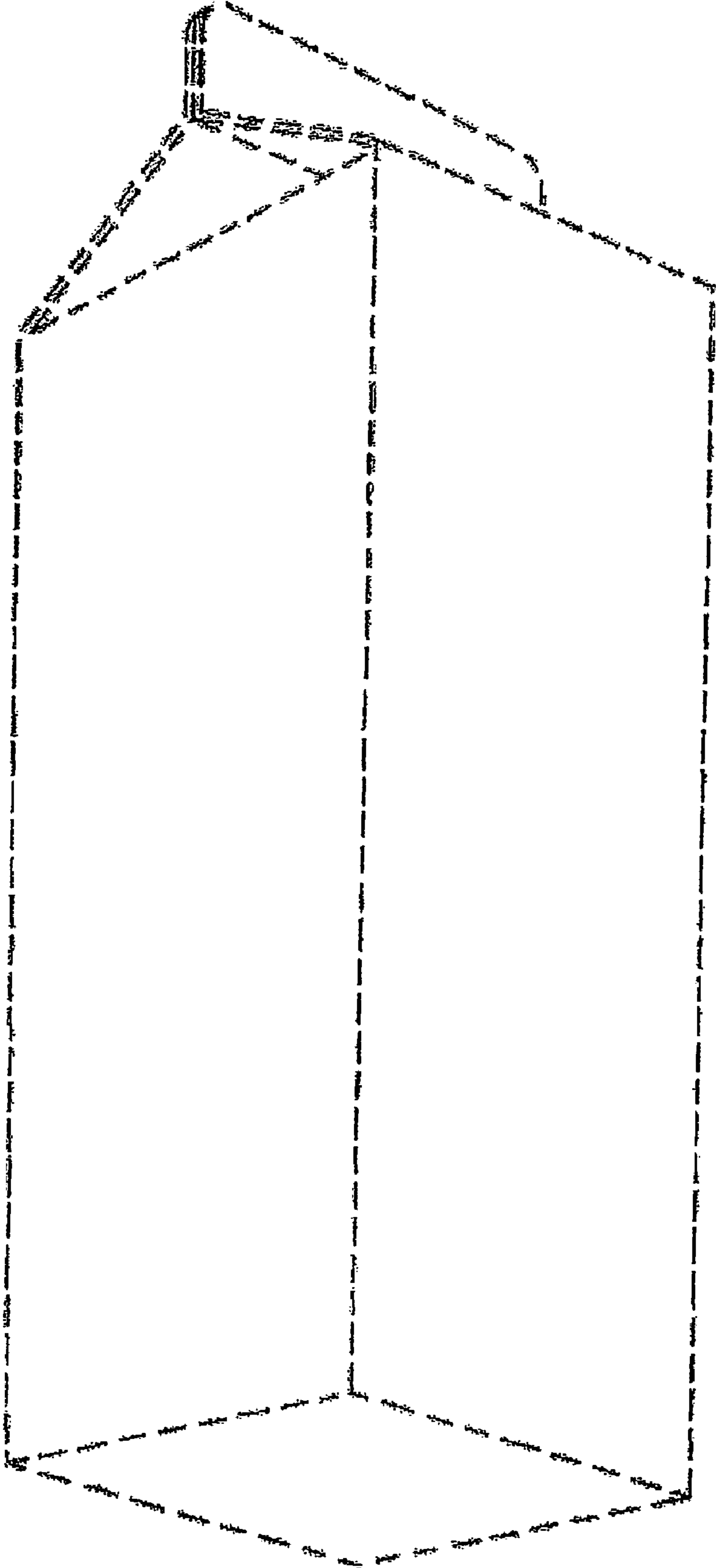


FIG. 3