



US00D637487S

(12) **United States Design Patent**
Franic

(10) **Patent No.:** **US D637,487 S**

(45) **Date of Patent:** **** May 10, 2011**

(54) **PORTION OF A CARTON**

(75) Inventor: **Ivica Franic**, Vienna (AT)

(73) Assignee: **Elopak Systems AG**, Glatbrugg (CH)

(**) Term: **14 Years**

(21) Appl. No.: **29/370,427**

(22) Filed: **Jul. 15, 2010**

Related U.S. Application Data

(62) Division of application No. 29/316,835, filed on Nov. 5, 2009, now Pat. No. Des. 629,295, which is a division of application No. 29/301,644, filed on Mar. 11, 2008, now Pat. No. Des. 605,506.

Foreign Application Priority Data

(30) Sep. 11, 2007 (EM) 788138

(51) **LOC (9) Cl.** **09-03**

(52) **U.S. Cl.** **D9/433**

(58) **Field of Classification Search** D9/430-433, D9/414, 418, 420-423, 435, 560, 561; D3/201, D3/272, 273, 305; 206/278, 297, 299, 320, 206/339, 433, 769, 770, 775, 776, 781, 782, 206/822; 229/100, 103.3, 104-106, 107, 229/108, 108.1, 110, 111, 112, 115, 117.16, 229/120, 125.015, 120.32, 133.24, 122.29, 229/124, 160.1, 162.1, 162.6, 163, 182.1, 229/201, 406, 407, 902, 904, 906, 922, 930, 229/939, 942; D5/32, 66
See application file for complete search history.

References Cited

U.S. PATENT DOCUMENTS

4,219,145 A * 8/1980 Jaeschke et al. 229/120
4,270,692 A * 6/1981 Webinger 206/0.5

D272,643 S *	2/1984	Stairs, Jr.	D23/304
4,846,396 A *	7/1989	Palazzolo	229/117.12
D391,847 S *	3/1998	Seo et al.	D9/417
D394,385 S *	5/1998	Laughlin	D9/431
6,079,556 A *	6/2000	Draghetti et al.	206/268
D460,355 S *	7/2002	Lenz et al.	D9/431
D518,368 S *	4/2006	Tachikawa et al.	D9/415
D518,371 S *	4/2006	Franic	D9/431
D521,373 S *	5/2006	Stanton	D9/430
D521,376 S *	5/2006	Mosto	D9/430
D553,496 S *	10/2007	Martuch et al.	D9/432
D562,130 S *	2/2008	Kortsmit et al.	D9/430
7,395,643 B2 *	7/2008	Franchini et al.	53/436
D589,343 S *	3/2009	Bohache et al.	D9/430
D596,027 S *	7/2009	Kalberer	D9/432
D616,300 S *	5/2010	Shaikh	D9/430
D616,301 S *	5/2010	Stephens	D9/430
D624,404 S *	9/2010	Darbonne	D9/431
D624,405 S *	9/2010	Franic	D9/433
2008/0223912 A1 *	9/2008	Ayats Ardite et al.	229/141

* cited by examiner

Primary Examiner — T. Chase Nelson

Assistant Examiner — Karen Acker

(74) *Attorney, Agent, or Firm* — Warn Partners, P.C.

CLAIM

(57) The ornamental design for a portion of a carton, as shown and described.

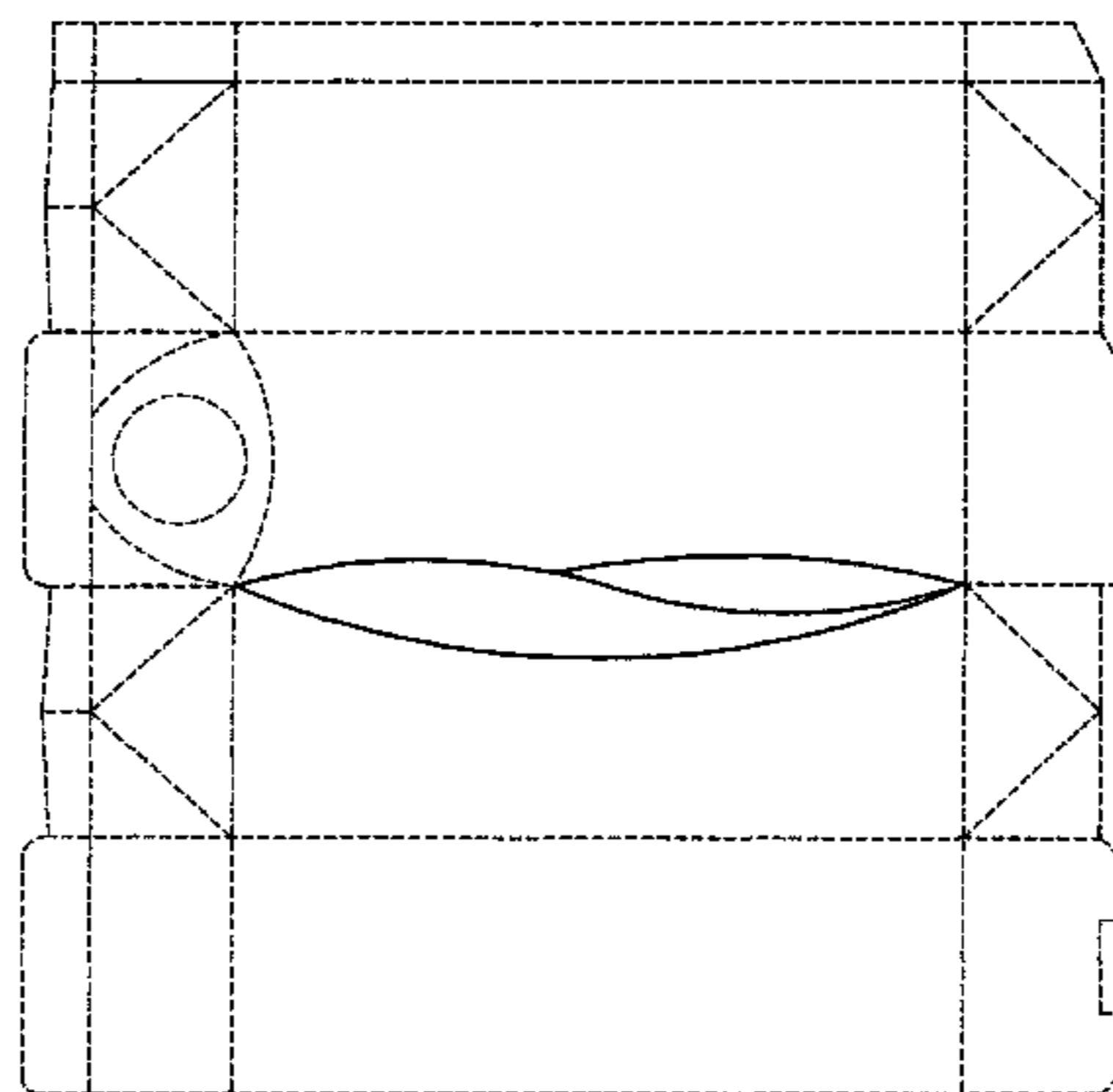
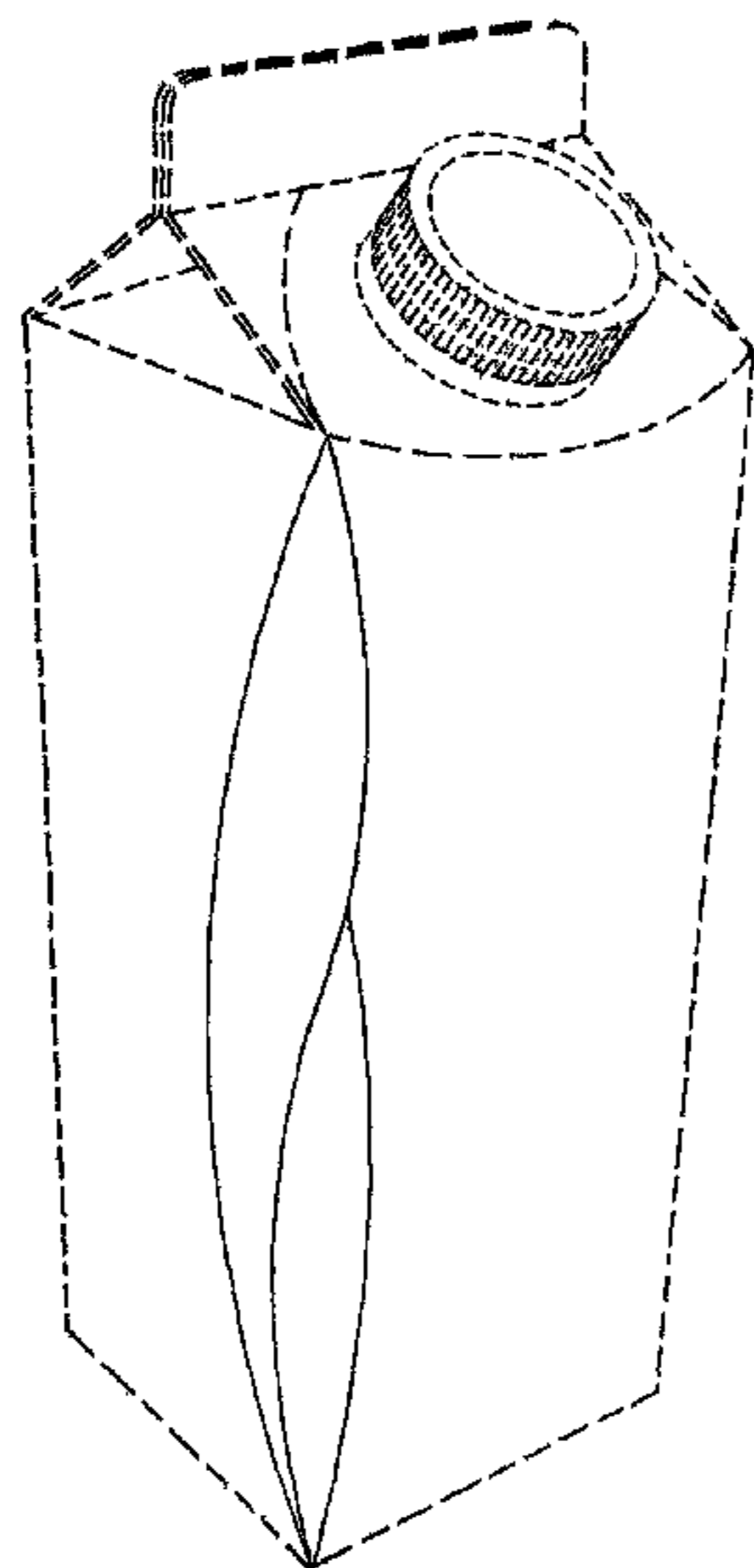
DESCRIPTION

FIG. 1 is a front perspective view of a portion of a carton of the present invention shown in a position of use as part of a carton structure in broken line;

FIG. 2 is a plan view of the outer surface of the design of FIG. 1 shown in an alternate position of use; and, FIG. 3 is a rear perspective view of the design of FIG. 1 in a third position of use.

The claim is directed to the solid lines and the area within solid lines. The carton drawn in broken lines represents unclaimed environmental subject matter.

1 Claim, 3 Drawing Sheets



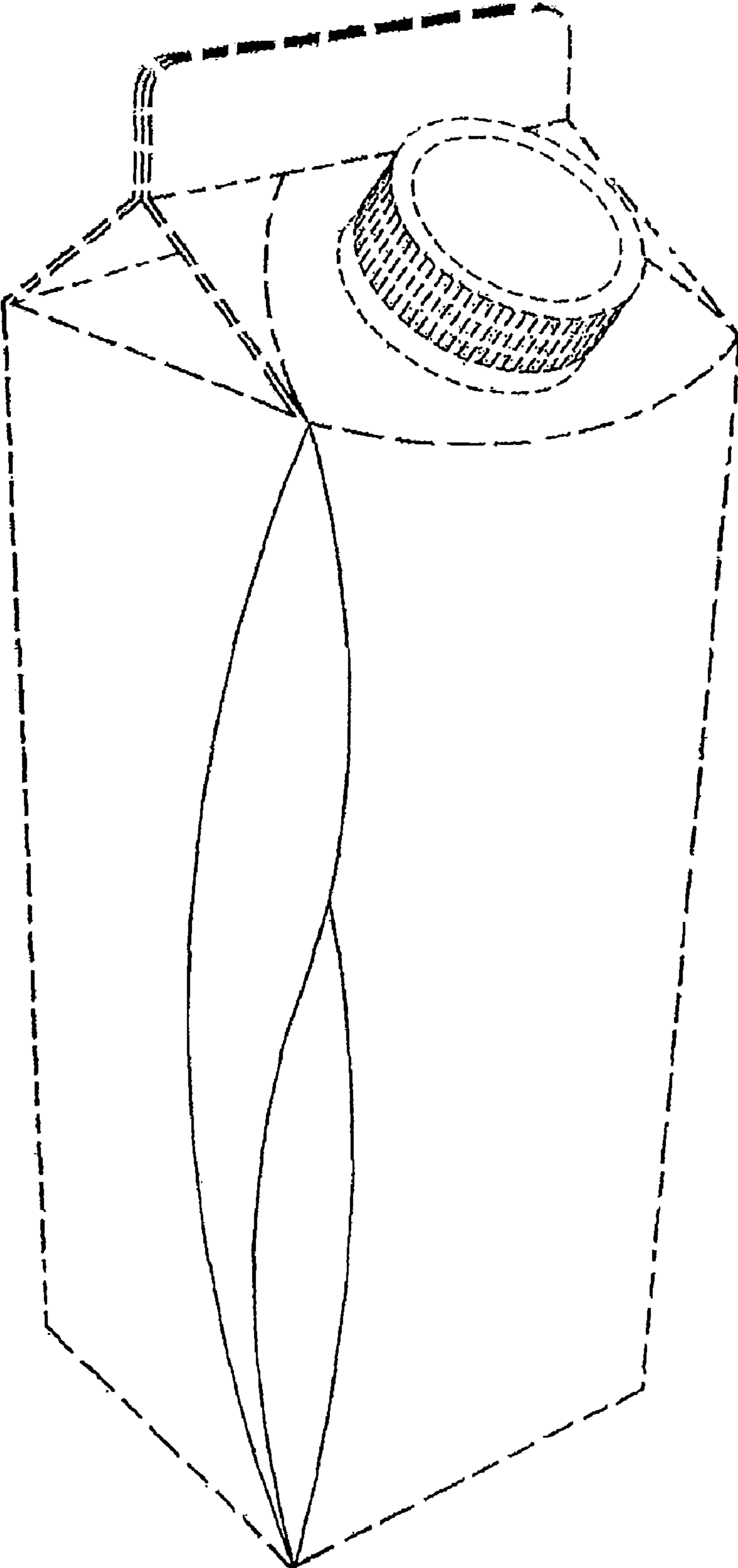


FIG. 1

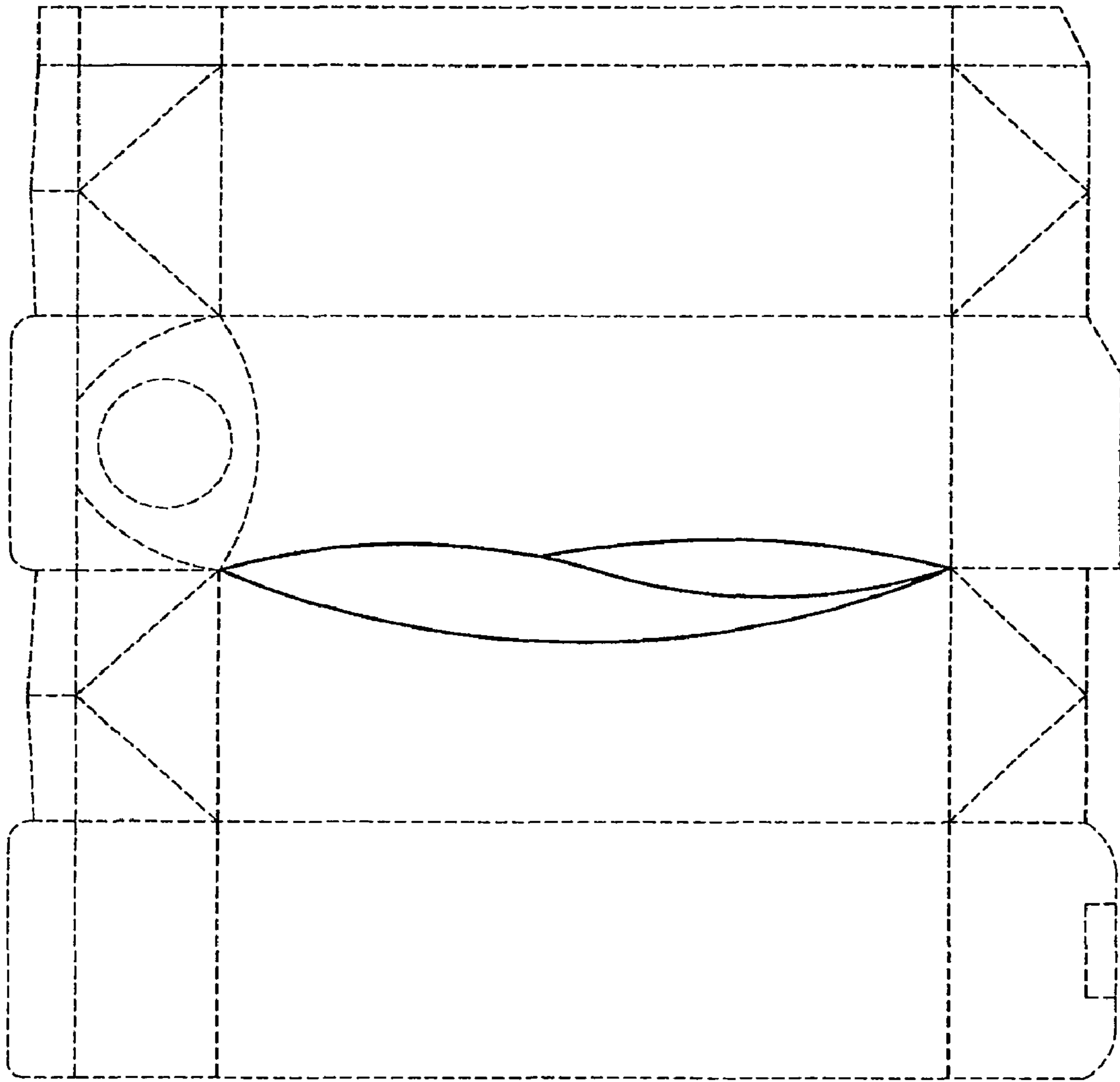


FIG. 2

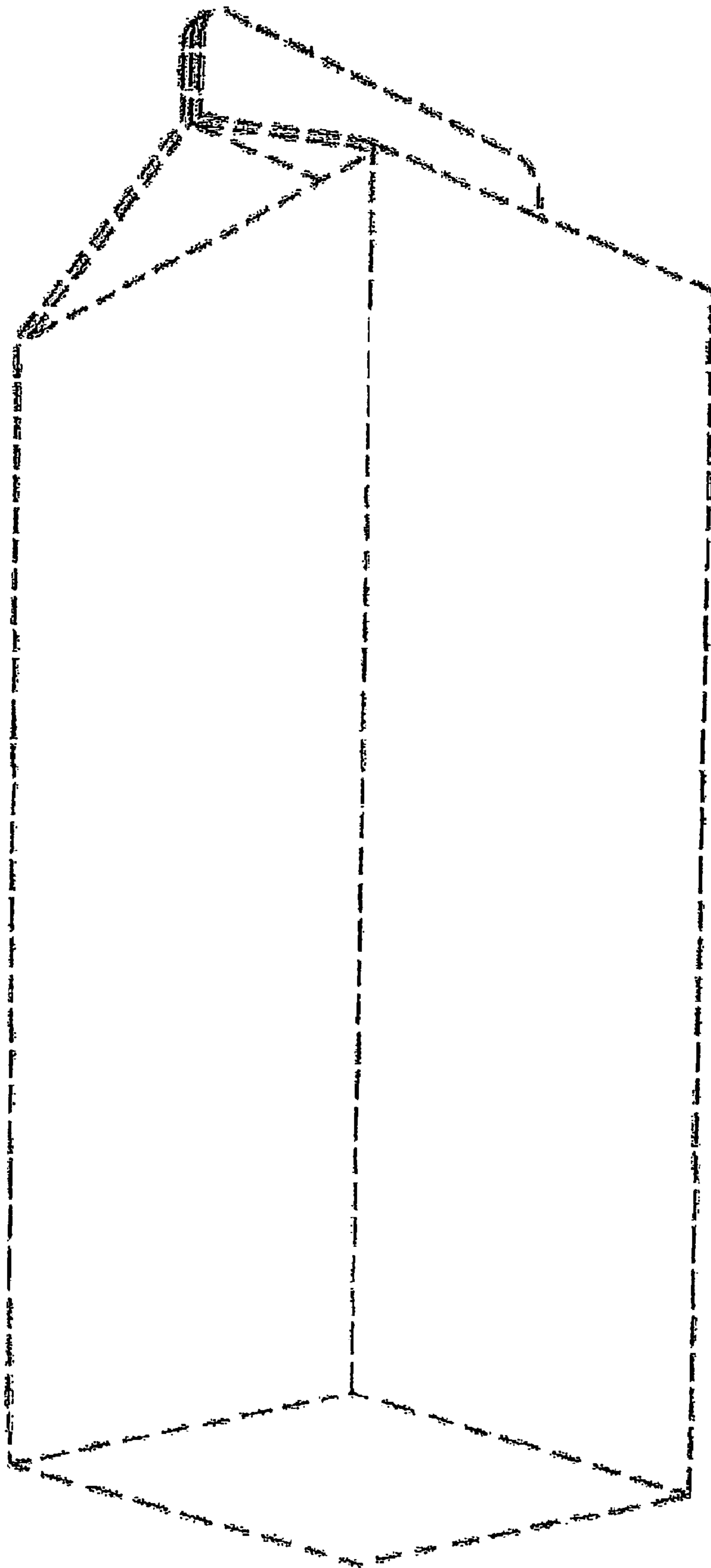


FIG. 3