



US00D637485S

(12) **United States Design Patent**  
**Blomberg**

(10) **Patent No.:** **US D637,485 S**

(45) **Date of Patent:** **\*\* May 10, 2011**

(54) **BEVERAGE CONTAINER**

(75) Inventor: **Sofia Blomberg**, Stockholm (SE)

(73) Assignee: **Oenoforos AB**, Stockholm (SE)

(\*\*) Term: **14 Years**

(21) Appl. No.: **29/363,227**

(22) Filed: **Jun. 7, 2010**

(30) **Foreign Application Priority Data**

Dec. 10, 2009 (EM) ..... 001645664-0001  
Dec. 10, 2009 (EM) ..... 001645664-0002

(51) **LOC (9) Cl.** ..... **09-03**

(52) **U.S. Cl.** ..... **D9/431**

(58) **Field of Classification Search** ..... D9/430-433,  
D9/414, 418, 420-424; D3/272; 206/267,  
206/269, 270, 273, 299, 737, 740, 822; 229/100,  
229/101, 101.3, 106, 108-112, 114-117,  
229/117.05-117.09, 117.24-117.26, 221,  
229/222, 227, 902, 939, 941, 942

See application file for complete search history.

(56) **References Cited**

U.S. PATENT DOCUMENTS

1,669,139 A \* 5/1928 Martin ..... 229/125.37  
1,983,010 A \* 12/1934 Spees ..... 229/117.15  
3,403,839 A \* 10/1968 Farquhar ..... 229/112  
3,924,800 A \* 12/1975 Desmond et al. .... 229/101  
3,955,749 A \* 5/1976 Turkenkopf ..... 383/122  
D250,748 S \* 1/1979 Leger ..... D9/420

5,083,700 A \* 1/1992 Mello et al. .... 229/115  
5,375,715 A \* 12/1994 Serre et al. .... 206/427  
5,437,406 A \* 8/1995 Gordon et al. .... 229/193  
D375,898 S \* 11/1996 Bolton ..... D9/415  
D420,582 S \* 2/2000 Zellner et al. .... D9/418  
D439,513 S \* 3/2001 Teasdale et al. .... D9/415  
6,478,216 B2 \* 11/2002 Wiart ..... 229/101  
D526,572 S \* 8/2006 Lemaire ..... D9/661  
D592,501 S \* 5/2009 Bone et al. .... D9/431  
D597,832 S \* 8/2009 Bischoff et al. .... D9/431  
D601,418 S \* 10/2009 Bone et al. .... D9/431  
D630,092 S \* 1/2011 Roveda et al. .... D9/431  
2008/0087566 A1 \* 4/2008 Gardner ..... 206/499  
2008/0265009 A1 \* 10/2008 Katoh ..... 229/117.16

\* cited by examiner

*Primary Examiner* — Thomas Johannes

(74) *Attorney, Agent, or Firm* — Renner, Otto, Boisselle & Sklar, LLP

(57) **CLAIM**

The ornamental design for a beverage container, as shown and described.

**DESCRIPTION**

FIG. 1 is a front view taken slightly above the horizon of a beverage container showing my new design;  
FIG. 2 is a rear view thereof, taken slightly above the horizon;  
FIG. 3 is a top plan view thereof;  
FIG. 4 is a side, front, top perspective view thereof; and,  
FIG. 5 is an opposite side, front, top perspective view thereof.  
The bottom of the beverage container has no ornamental features contributing the claimed design.

**1 Claim, 1 Drawing Sheet**

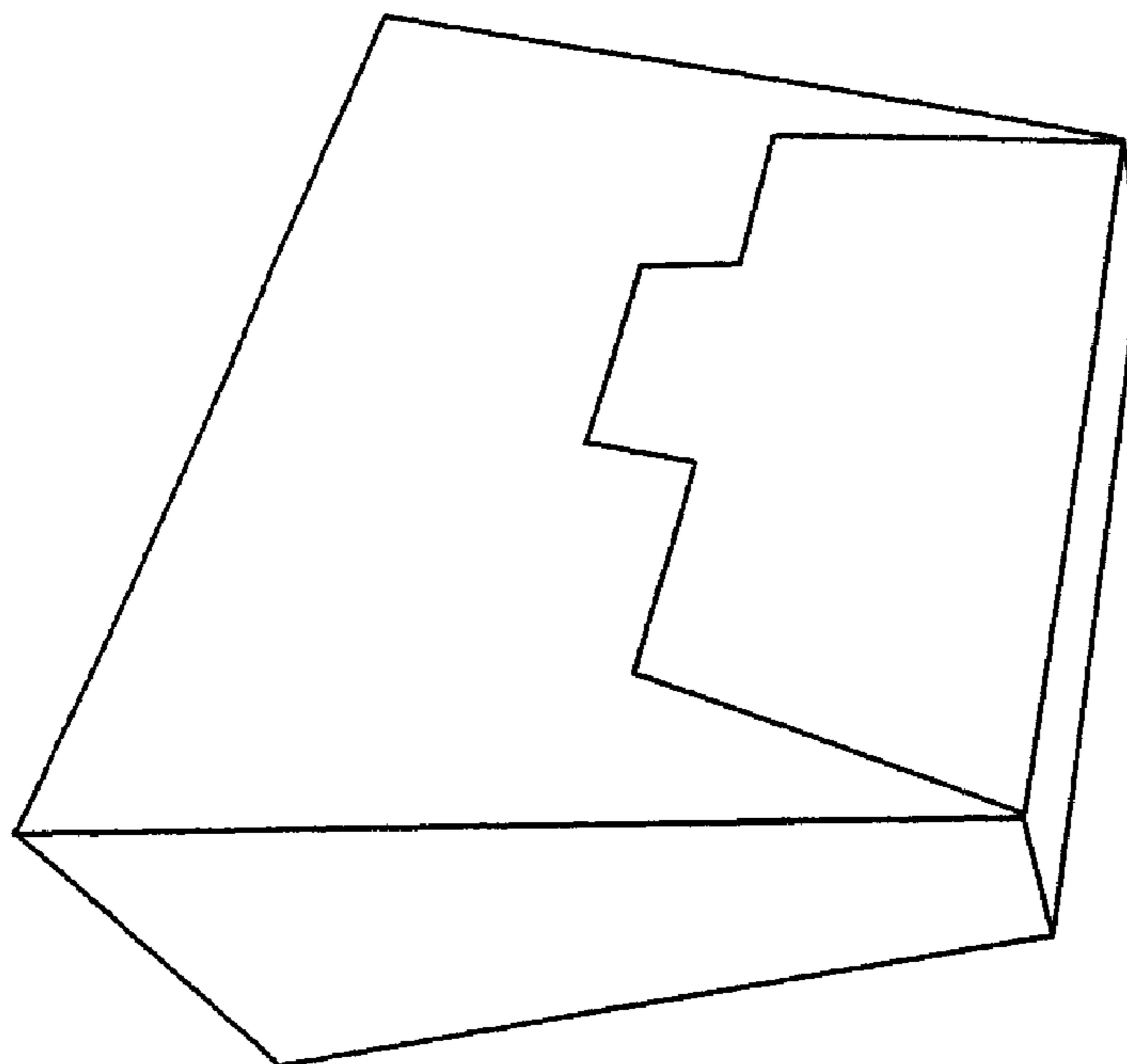


FIG. 3

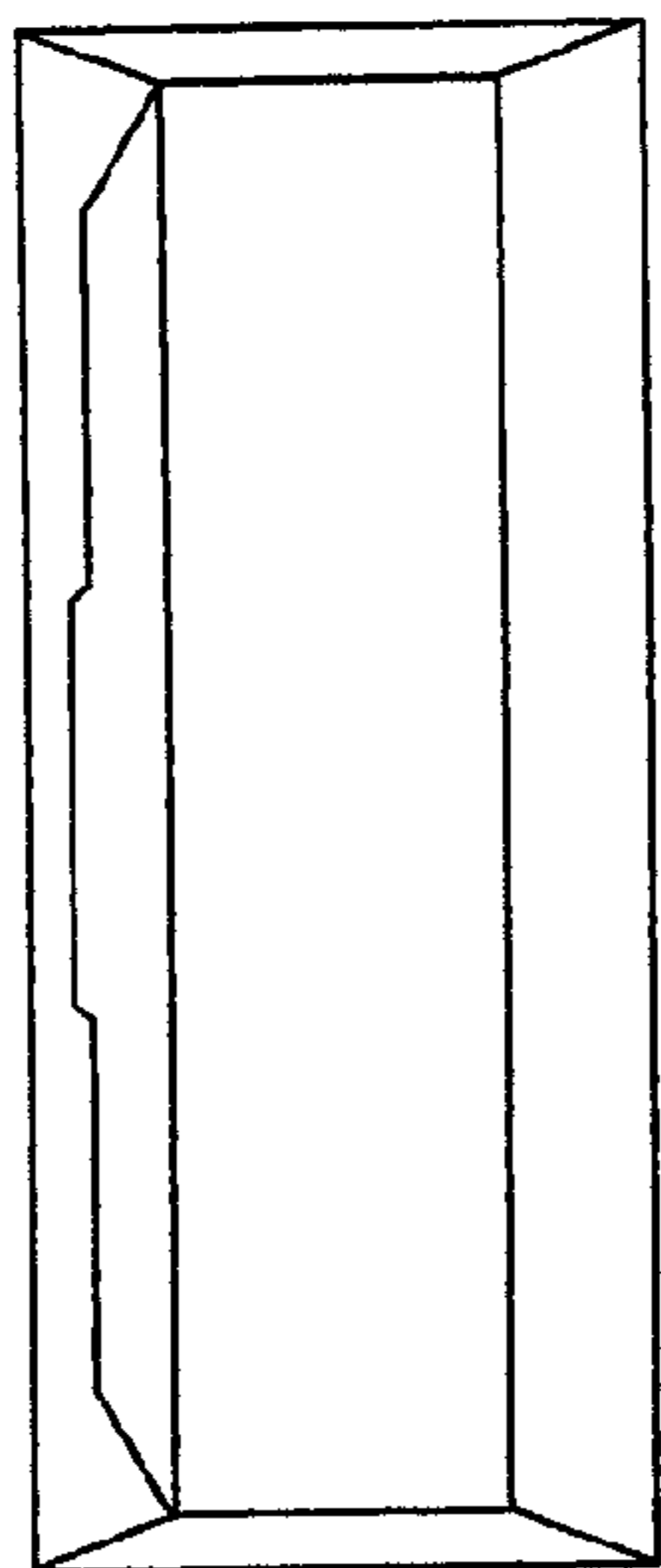


FIG. 4

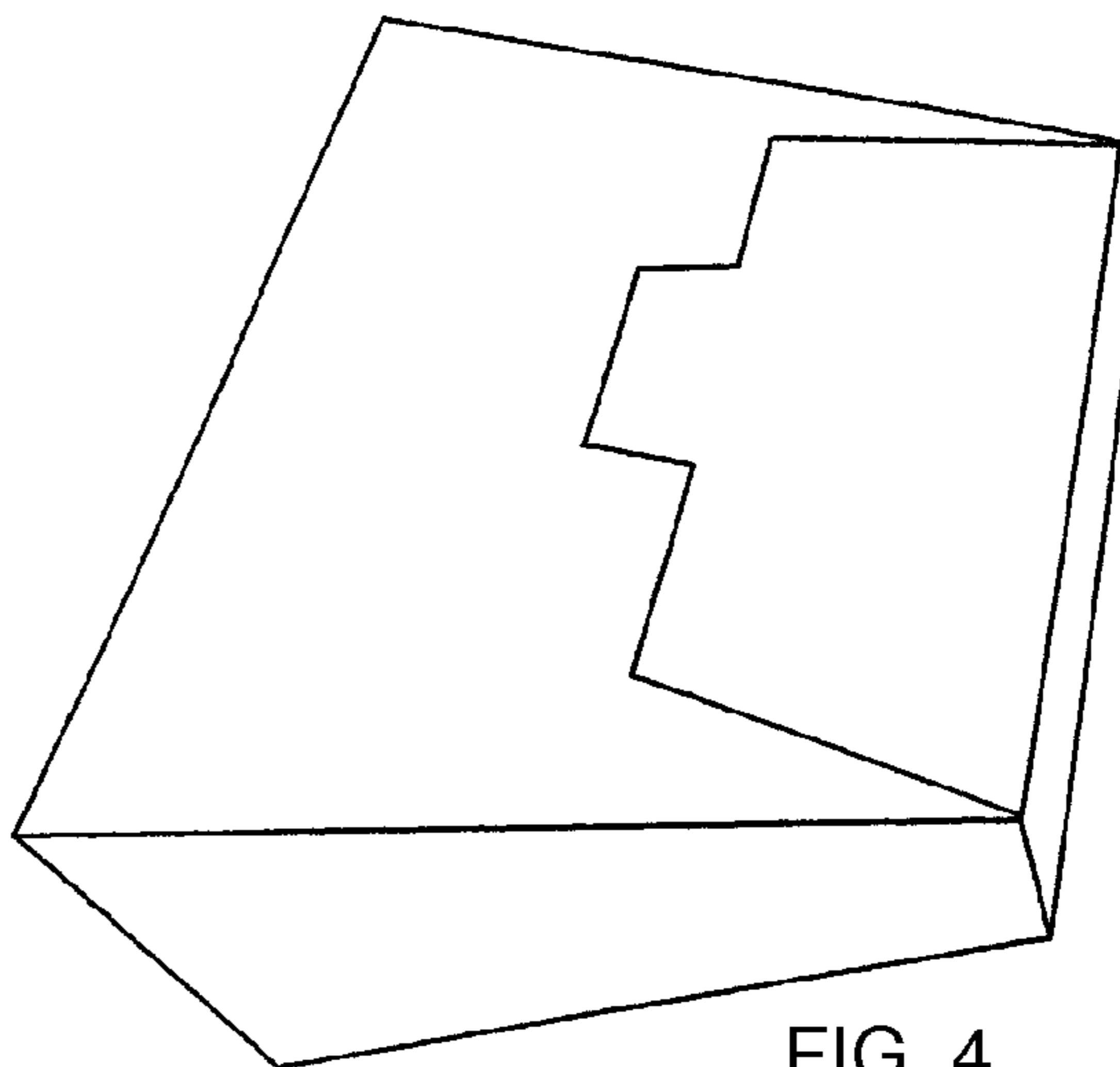


FIG. 2

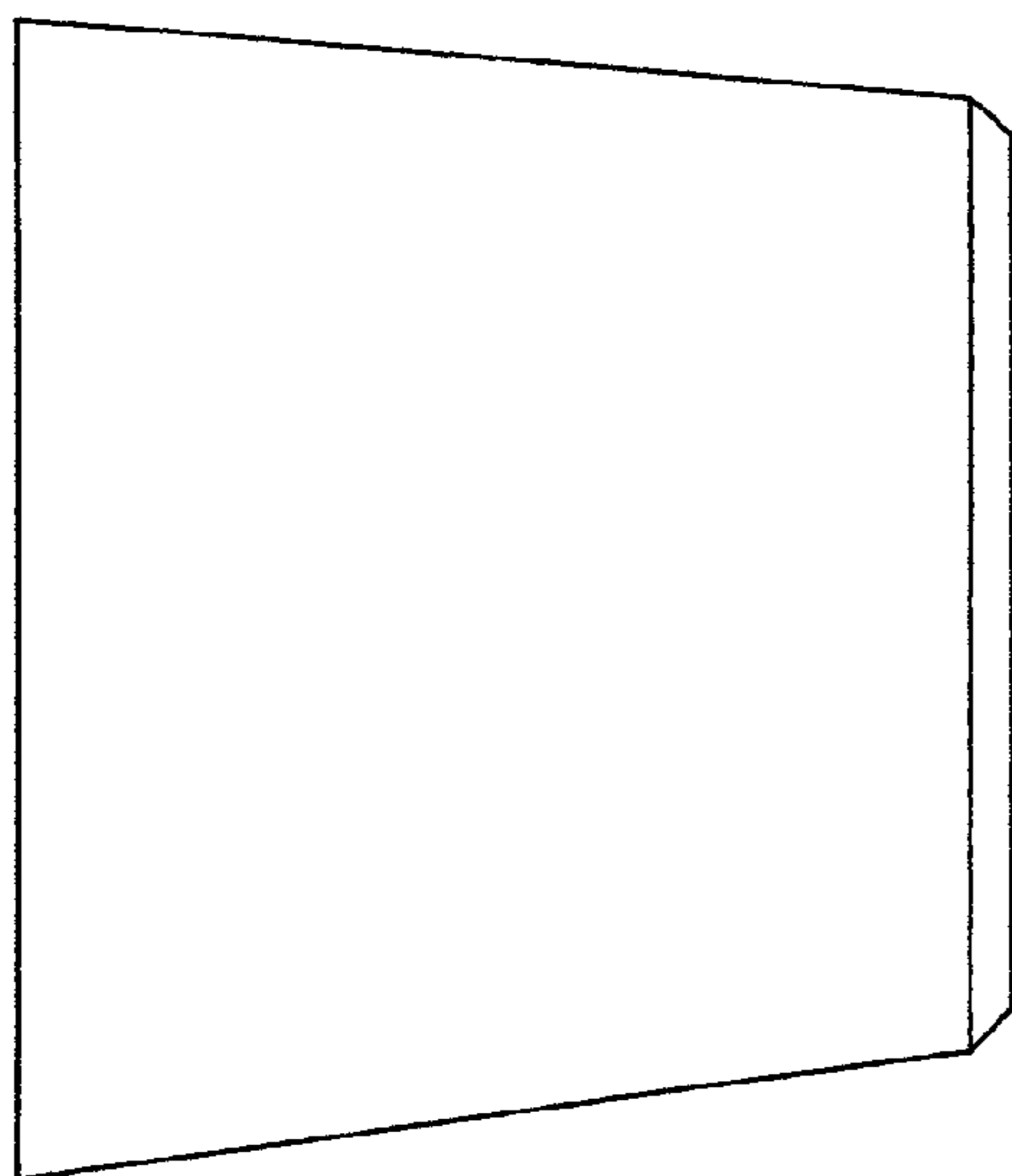


FIG. 1

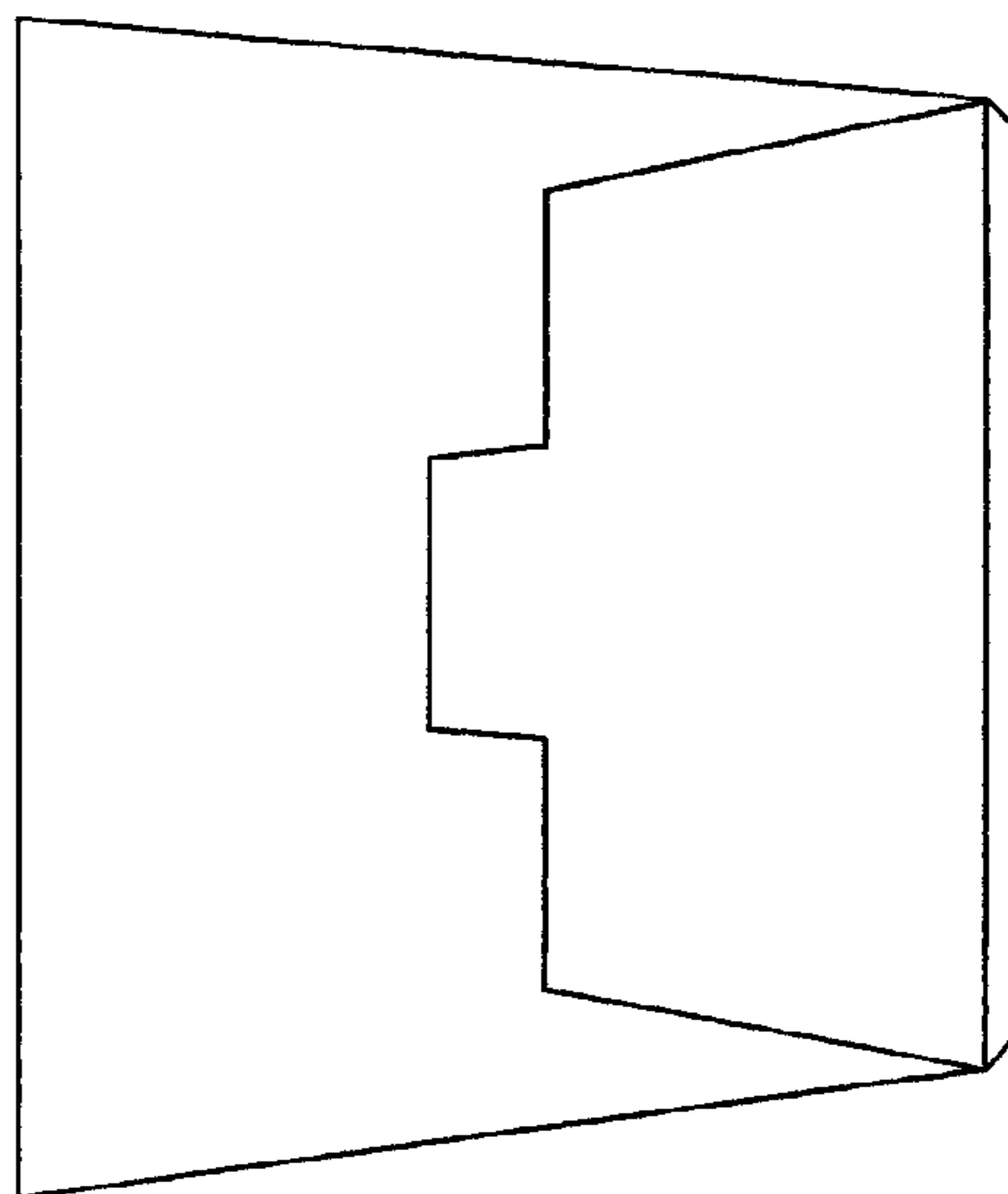


FIG. 5

