

US00D637482S

(12) **United States Design Patent**
Snedden et al.

(10) **Patent No.:** **US D637,482 S**

(45) **Date of Patent:** **** May 10, 2011**

(54) **CONTAINER**

(75) Inventors: **Craig R. Snedden**, Culver City, CA (US); **Gandhi B. Sifuentes**, Whittier, CA (US); **Eric Wexler**, Salinas, CA (US)

(73) Assignees: **Direct Pack, Inc.**, Sun Valley, CA (US); **Tanimura & Antle Fresh Foods, Inc.**, Salinas, CA (US)

(**) Term: **14 Years**

(21) Appl. No.: **29/376,358**

(22) Filed: **Oct. 6, 2010**

(51) **LOC (9) Cl.** **09-03**

(52) **U.S. Cl.** **D9/425**

(58) **Field of Classification Search** D9/414-424, D9/425, 427-431, 456, 503; D7/360, 538-540, D7/587, 391, 543, 500, 602, 605, 629; 229/120.12, 229/123.2-123.3, 125.13-125.14; 206/497, 206/515, 533, 534, 538, 583, 783; 220/253, 220/254.2, 324, 326, 507, 825, 835, 263, 220/266, 781, 787, 81 C; D19/51, 84-85; D3/302, 304-314; D30/101; D32/55

See application file for complete search history.

(56) **References Cited**

U.S. PATENT DOCUMENTS

3,384,263	A	5/1968	Bernstein
3,424,342	A	1/1969	Scopp et al.
3,447,714	A	6/1969	Elliot
3,451,328	A	6/1969	Swett
D246,439	S	11/1977	Lynn et al.
D248,215	S	6/1978	Cherry
D256,557	S	8/1980	Ikushima et al.
D257,555	S	11/1980	Ikushima et al.
D271,378	S	11/1983	Sun
D280,490	S	9/1985	Tyler
D308,942	S	7/1990	Thundercliffe
D312,968	S	12/1990	Wolff
D313,556	S	1/1991	Smith

D317,567	S	6/1991	Lane, Sr.
D317,568	S	6/1991	Lane, Sr.
D317,569	S	6/1991	Lane, Sr.
D327,220	S	6/1992	Proffitt et al.
D332,917	S	2/1993	McDevitt et al.
D334,114	S	3/1993	Narsutis
D339,744	S	9/1993	Seppala
D348,394	S *	7/1994	Dreyer D9/425
D378,552	S	3/1997	Lippisch
D379,300	S *	5/1997	Krupa et al. D9/757
D380,349	S	7/1997	Indeken
D381,560	S	7/1997	Indeken
D383,671	S	9/1997	Phillips
D384,502	S	10/1997	Seager et al.
D394,587	S *	5/1998	Taylor et al. D7/545
D409,484	S	5/1999	Tasker
D411,741	S	6/1999	Wilson et al.
D419,829	S	2/2000	Wilson et al.
D421,901	S	3/2000	Hill
D428,777	S	8/2000	Hayes et al.

(Continued)

Primary Examiner — Thomas J Johannes

(74) *Attorney, Agent, or Firm* — Frost Brown Todd LLC

(57) **CLAIM**

The ornamental design for a container, as shown and described.

DESCRIPTION

FIG. 1 is a top perspective view of a container, showing our new design;

FIG. 2 is a top plan view thereof;

FIG. 3 is a bottom plan view thereof;

FIG. 4 is a left elevation view thereof;

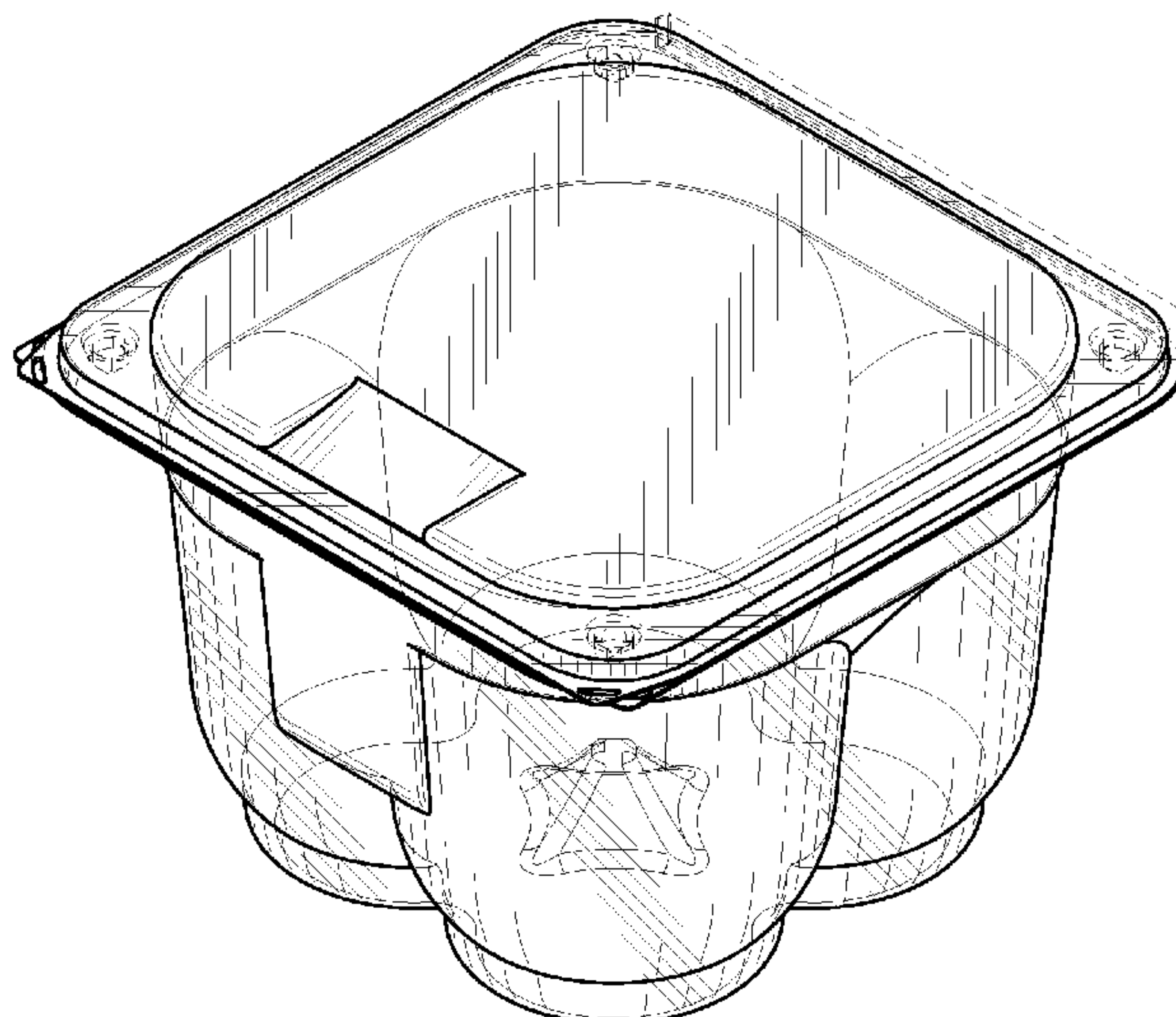
FIG. 5 is a right elevation view thereof;

FIG. 6 is a front elevation view thereof; and,

FIG. 7 is a back elevation view thereof.

The lid retention features and hinge shown in broken lines are unclaimed subject matter, and form no part of the claimed design.

1 Claim, 4 Drawing Sheets



US D637,482 S

Page 2

U.S. PATENT DOCUMENTS

D438,794 S	3/2001	Miles et al.	D485,473 S	1/2004	Dais et al.
D439,159 S	3/2001	Chen	D493,335 S	7/2004	Armato
D439,839 S	4/2001	Wolf et al.	D501,403 S	2/2005	Wilcock et al.
D440,470 S	4/2001	Tucker et al.	D501,764 S	2/2005	Lerner
D440,829 S	4/2001	Brown	D502,096 S	2/2005	Wilcock et al.
D440,830 S	4/2001	Tucker et al.	D503,872 S	4/2005	Armato
D443,184 S	6/2001	Maxwell et al.	D512,278 S	12/2005	Schultz et al.
D443,798 S	6/2001	Tucker et al.	D514,929 S	2/2006	Snedden et al.
D444,035 S	6/2001	Austen-Meek	D528,412 S	9/2006	Snedden et al.
D445,310 S	7/2001	Brown	D539,099 S	3/2007	Tucker et al.
D445,649 S	7/2001	Maxwell et al.	D539,612 S	4/2007	Foss
D446,450 S	8/2001	Zettle et al.	D541,598 S	5/2007	Kim
D447,688 S	9/2001	Jalet et al.	D542,100 S	5/2007	Kim
D455,321 S	4/2002	Jung et al.	D548,587 S	8/2007	DuVal et al.
D458,085 S	6/2002	Kim	D562,128 S	2/2008	van de Velde
D459,991 S	7/2002	Middelbrink	D569,242 S *	5/2008	Flamand D9/420
D462,877 S *	9/2002	Lillelund et al. D7/552.1	D569,722 S	5/2008	Stamper et al.
D462,880 S	9/2002	Maxwell et al.	D577,288 S	9/2008	Wilson et al.
D467,496 S	12/2002	Hayes et al.	D583,659 S *	12/2008	Lyon et al. D9/761
D469,319 S	1/2003	Pettaweebuncha	D588,450 S	3/2009	Snedden et al.
D469,665 S	2/2003	Pettaweebuncha	D592,018 S	5/2009	Back
D473,137 S	4/2003	Cadiente et al.	D593,369 S	6/2009	Green et al.
D473,138 S	4/2003	Jowett	D598,282 S	8/2009	Abrahamsson
D473,139 S	4/2003	Jowett	D598,715 S	8/2009	Foss
D475,620 S	6/2003	Chen et al.	D615,859 S	5/2010	Barbier
D478,282 S	8/2003	Hayes et al.	D618,515 S	6/2010	Roth et al.
D483,622 S	12/2003	Kim	D621,616 S *	8/2010	Tussy D3/294
D483,664 S	12/2003	Cadiente	D621,699 S	8/2010	Shaver et al.

* cited by examiner

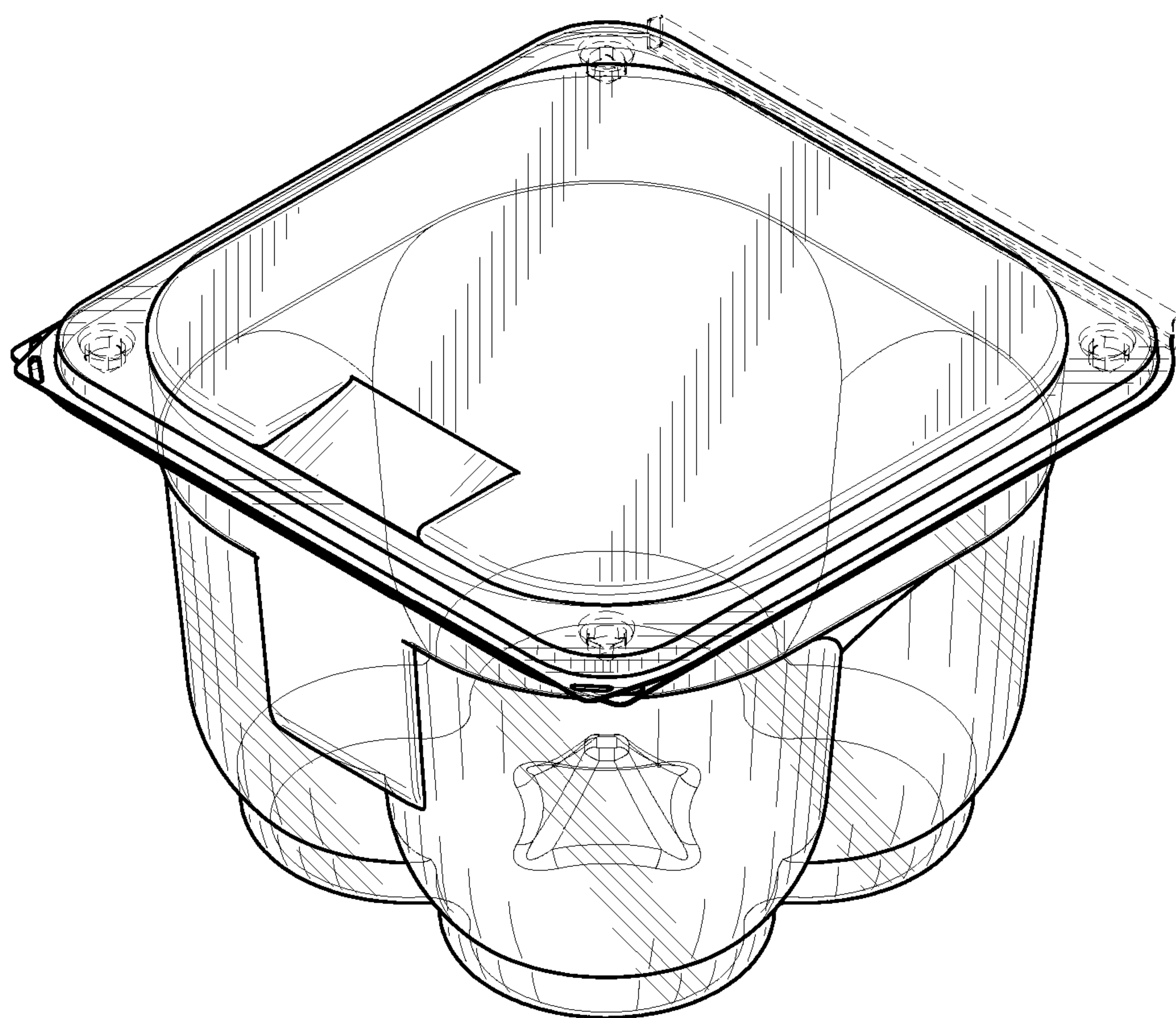


FIG. 1

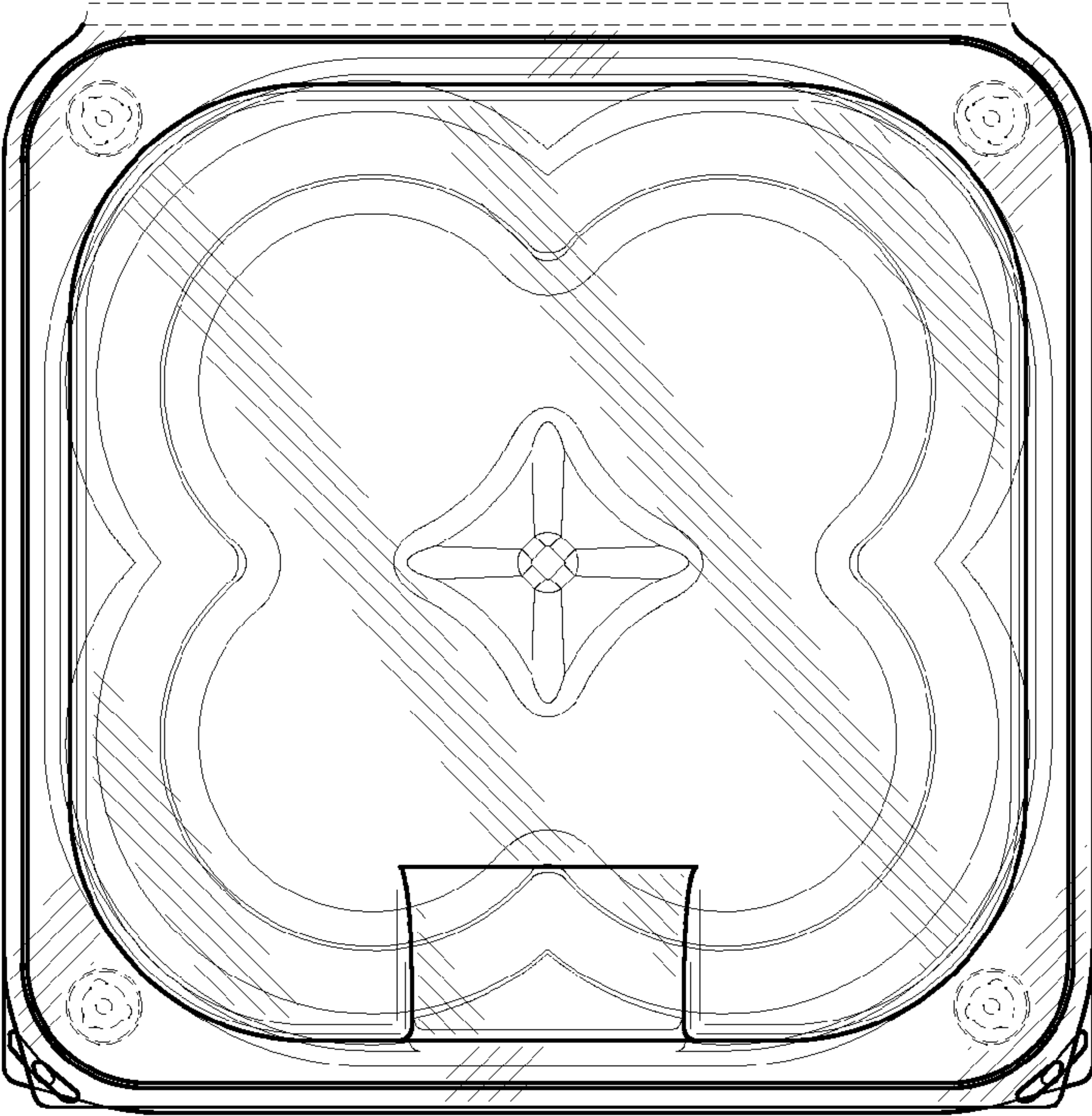


FIG. 2

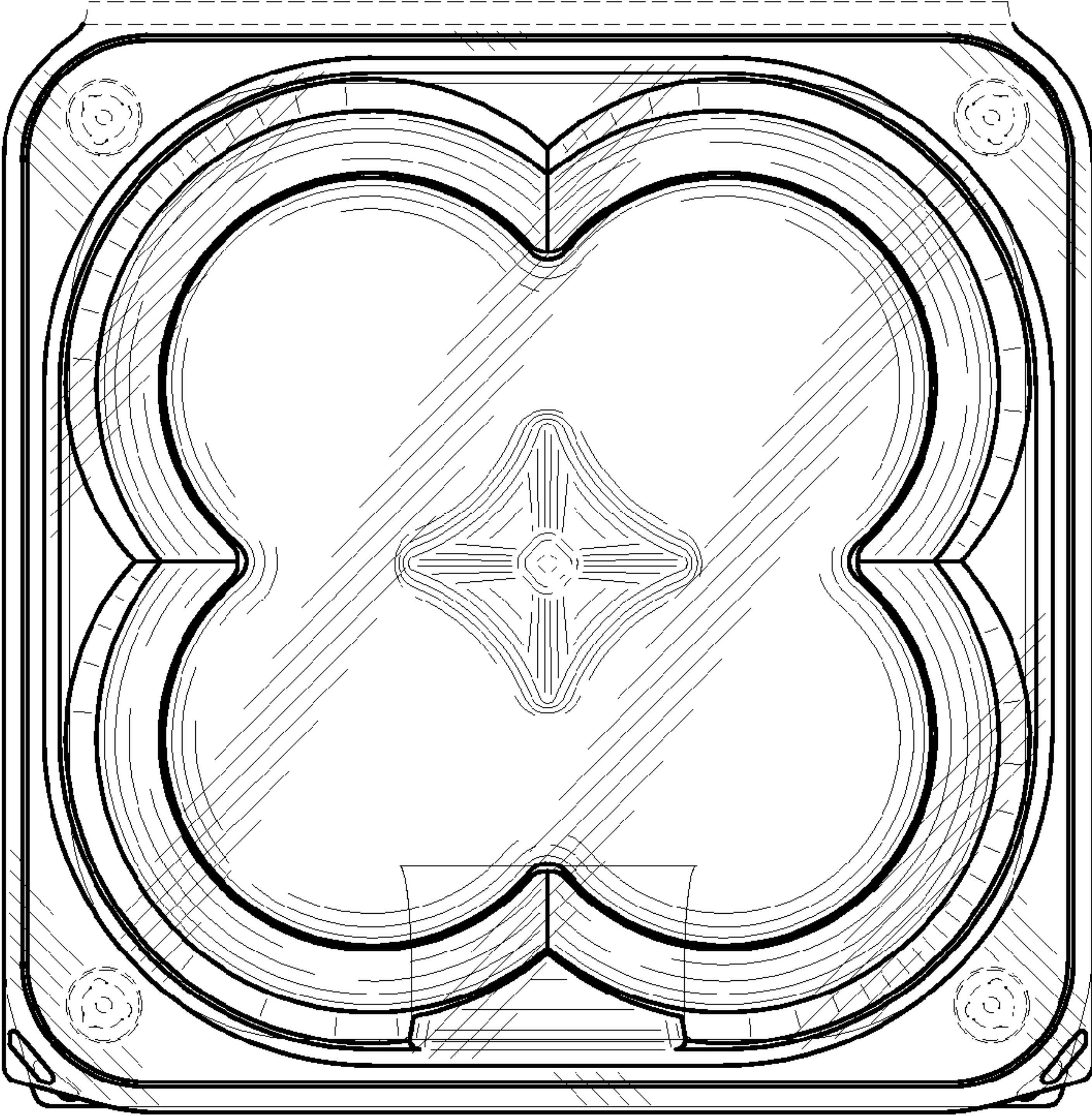


FIG. 3

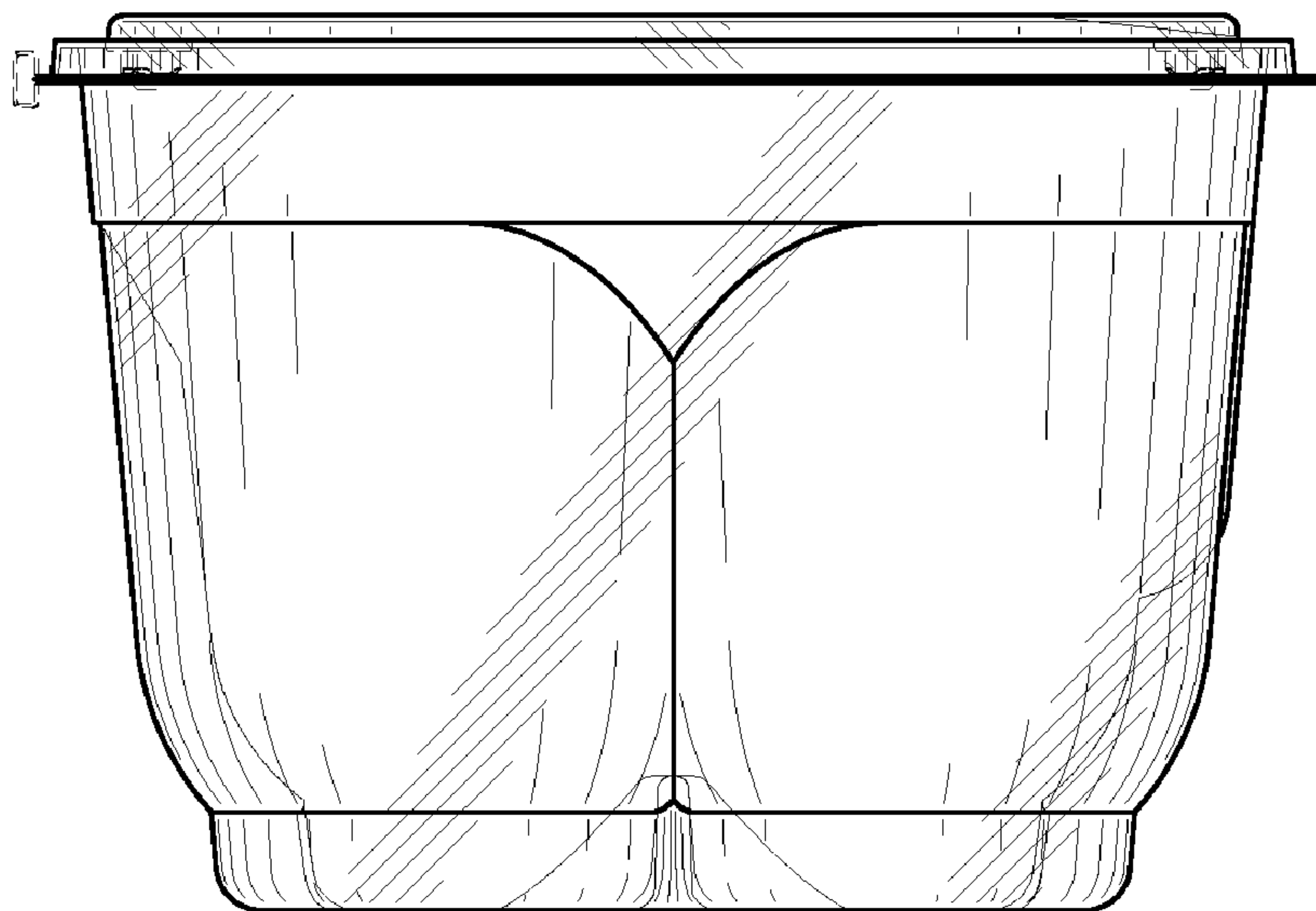


FIG. 4

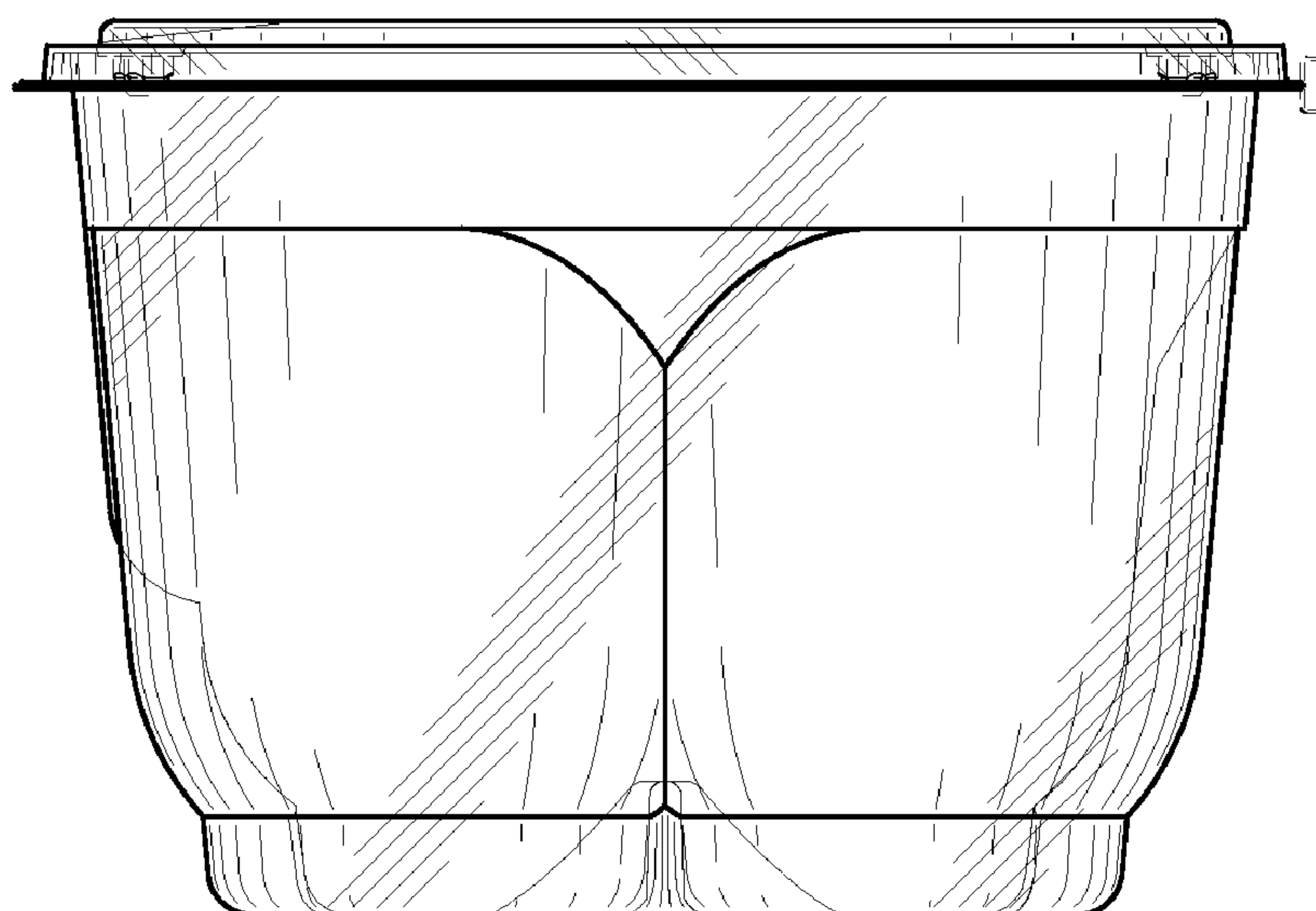


FIG. 5

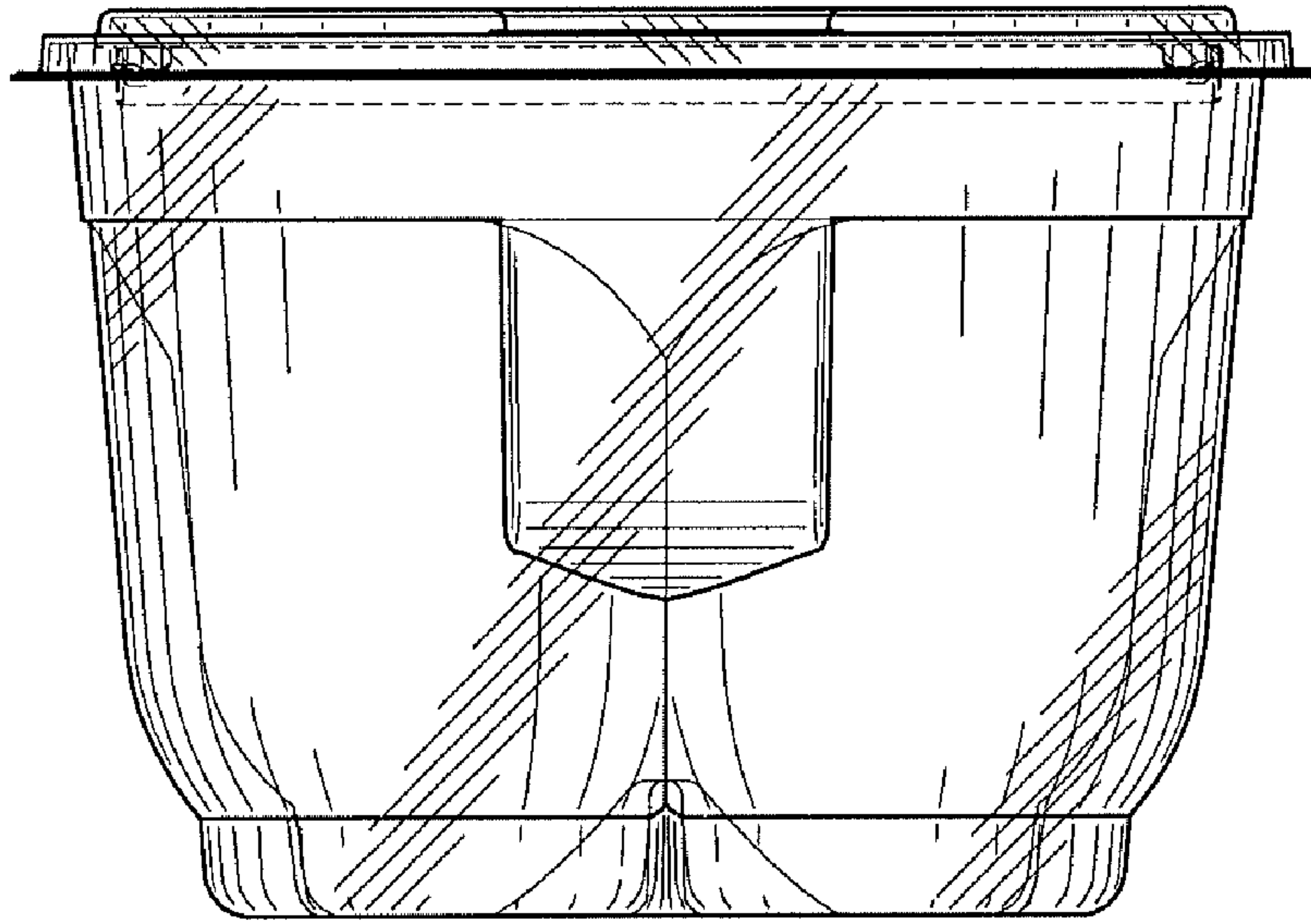


FIG. 6

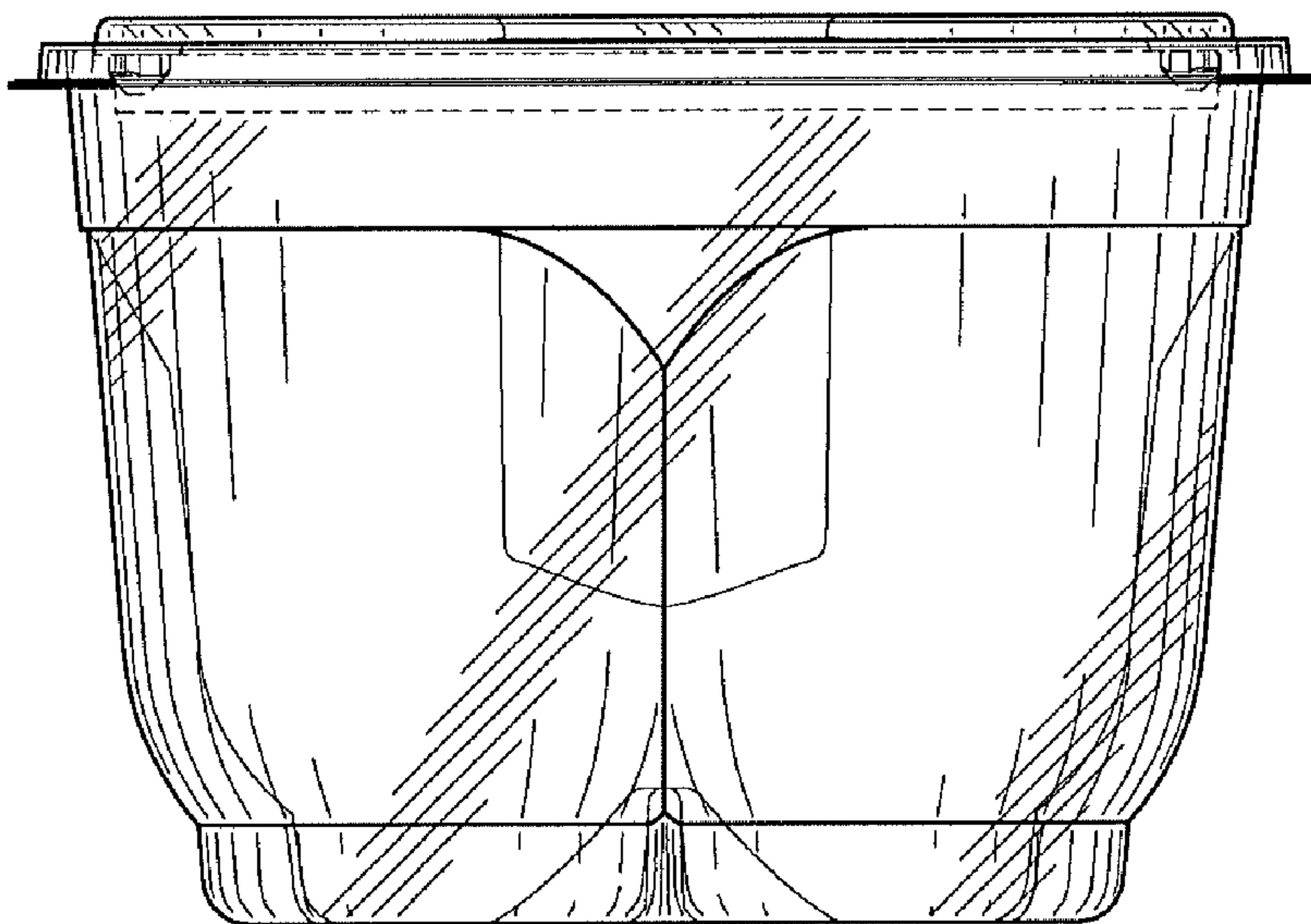


FIG. 7