

US00D637481S

(12) **United States Design Patent**  
**Sellari et al.**

(10) **Patent No.:** **US D637,481 S**

(45) **Date of Patent:** **\*\* May 10, 2011**

(54) **CONTAINER WITH A LID FOR HOLDING A UTENSIL**

(75) Inventors: **Robert Sellari**, Huntington, CT (US);  
**Bruce Stein**, Easton, CT (US); **Herb Knutson**, Waterbury, CT (US)

(73) Assignee: **Inline Plastics Corporation**, Shelton, CT (US)

(\*\*) Term: **14 Years**

(21) Appl. No.: **29/375,407**

(22) Filed: **Sep. 22, 2010**

(51) **LOC (9) Cl.** ..... **09-03**

(52) **U.S. Cl.** ..... **D9/424; D9/717**

(58) **Field of Classification Search** ..... D9/424,  
D9/414, 418-423, 425, 428-432, 435, 436,  
D9/455, 499, 715, 717, 718; D3/202, 273,  
D3/328; D7/538, 601, 602, 604, 610, 612,  
D7/629; 206/486, 488, 490, 503, 504, 557,  
206/562, 565, 521.1, 775, 776, 815, 822;  
220/4.21, 4.23, 266, 269, 270, 309.1, 309.2,  
220/676, 781, 786, 789, 790, 793; 229/400,  
229/406, 407, 906, 915, 925

See application file for complete search history.

(56) **References Cited**

**U.S. PATENT DOCUMENTS**

3,070,275	A	*	12/1962	Bostrom	.....	229/4.5
3,773,207	A	*	11/1973	Dokoupil et al.	.....	220/270
D256,650	S	*	9/1980	Juster	.....	D7/629
D306,974	S	*	4/1990	Tholstrup	.....	D9/424
D312,400	S	*	11/1990	Schwaikert	.....	D9/424
D375,683	S	*	11/1996	Schoff	.....	D9/429
D452,821	S	*	1/2002	Westphal	.....	D9/429

D501,764	S	*	2/2005	Lerner	.....	D7/629
D514,929	S	*	2/2006	Snedden et al.	.....	D9/425
D514,931	S	*	2/2006	Snedden et al.	.....	D9/425
7,073,680	B2	*	7/2006	Boback et al.	.....	220/266
D528,412	S	*	9/2006	Snedden et al.	.....	D9/432
D528,432	S	*	9/2006	Snedden et al.	.....	D9/716
7,118,003	B2	*	10/2006	Sellari et al.	.....	220/266
D533,075	S	*	12/2006	Snedden et al.	.....	D9/717
D569,684	S	*	5/2008	Eide et al.	.....	D7/396.1

\* cited by examiner

*Primary Examiner* — Stella M Reid

*Assistant Examiner* — Derrick Holland

(74) *Attorney, Agent, or Firm* — Edwards Angell Palmer & Dodge LLP

(57) **CLAIM**

The ornamental design for a container with a lid for holding a utensil, as shown and described.

**DESCRIPTION**

This application is related to U.S. Design patent application Ser. No. 29/368,425, filed Aug. 24, 2010; and U.S. Design patent application Ser. No. 29,368,437, filed Aug. 24, 2010; each of these applications cover designs invented by the inventors named above.

FIG. 1 is a rear perspective view of a container with a lid for holding a utensil showing our new design;

FIG. 2 is a rear elevation view thereof;

FIG. 3 is a left side elevation view thereof;

FIG. 4 is a front elevation view thereof;

FIG. 5 is a right side elevation view thereof;

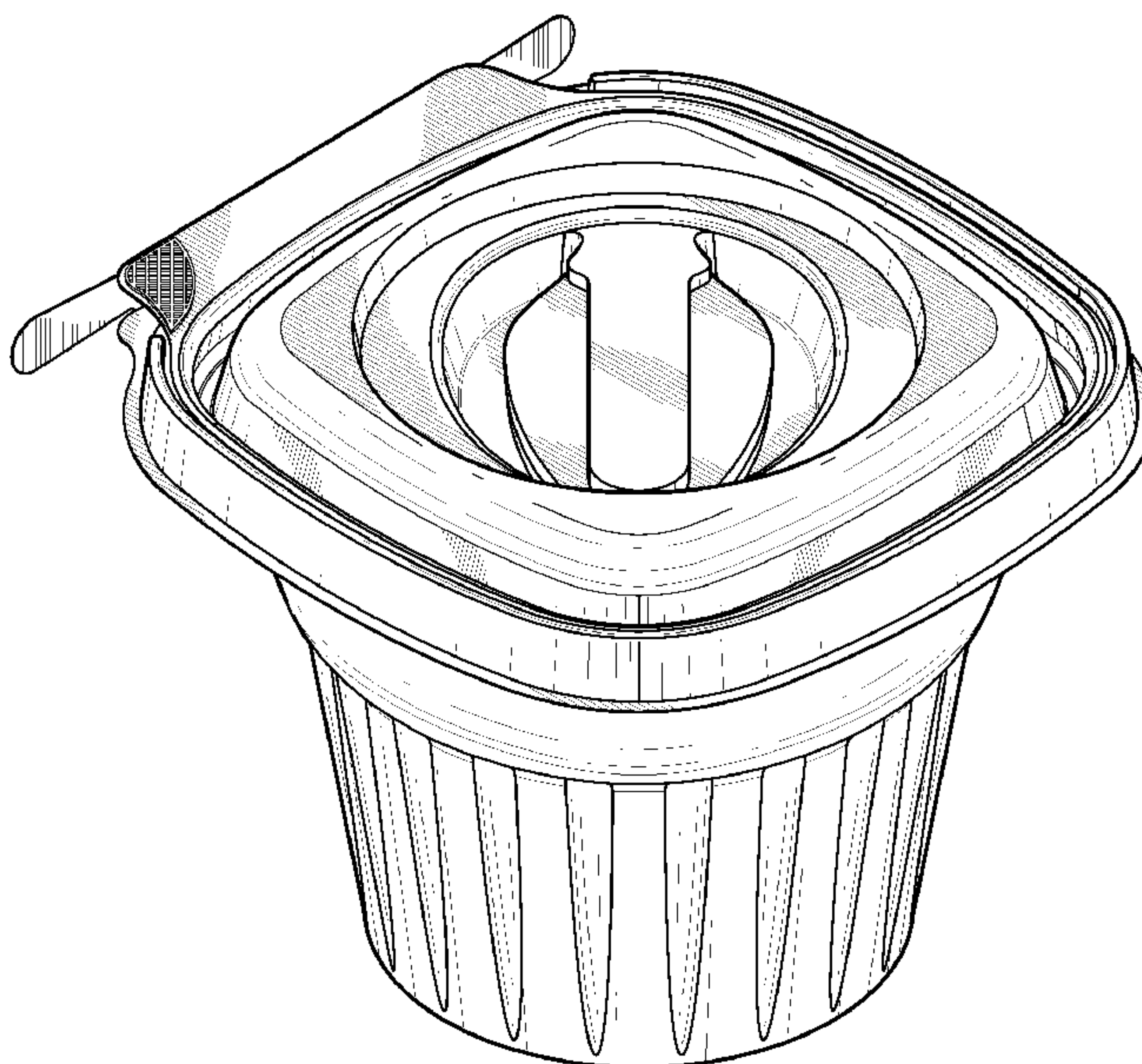
FIG. 6 is a top plan view thereof;

FIG. 7 is a bottom plan view thereof;

FIG. 8 is a front perspective view thereof; and,

FIG. 9 is a bottom perspective view thereof.

**1 Claim, 9 Drawing Sheets**



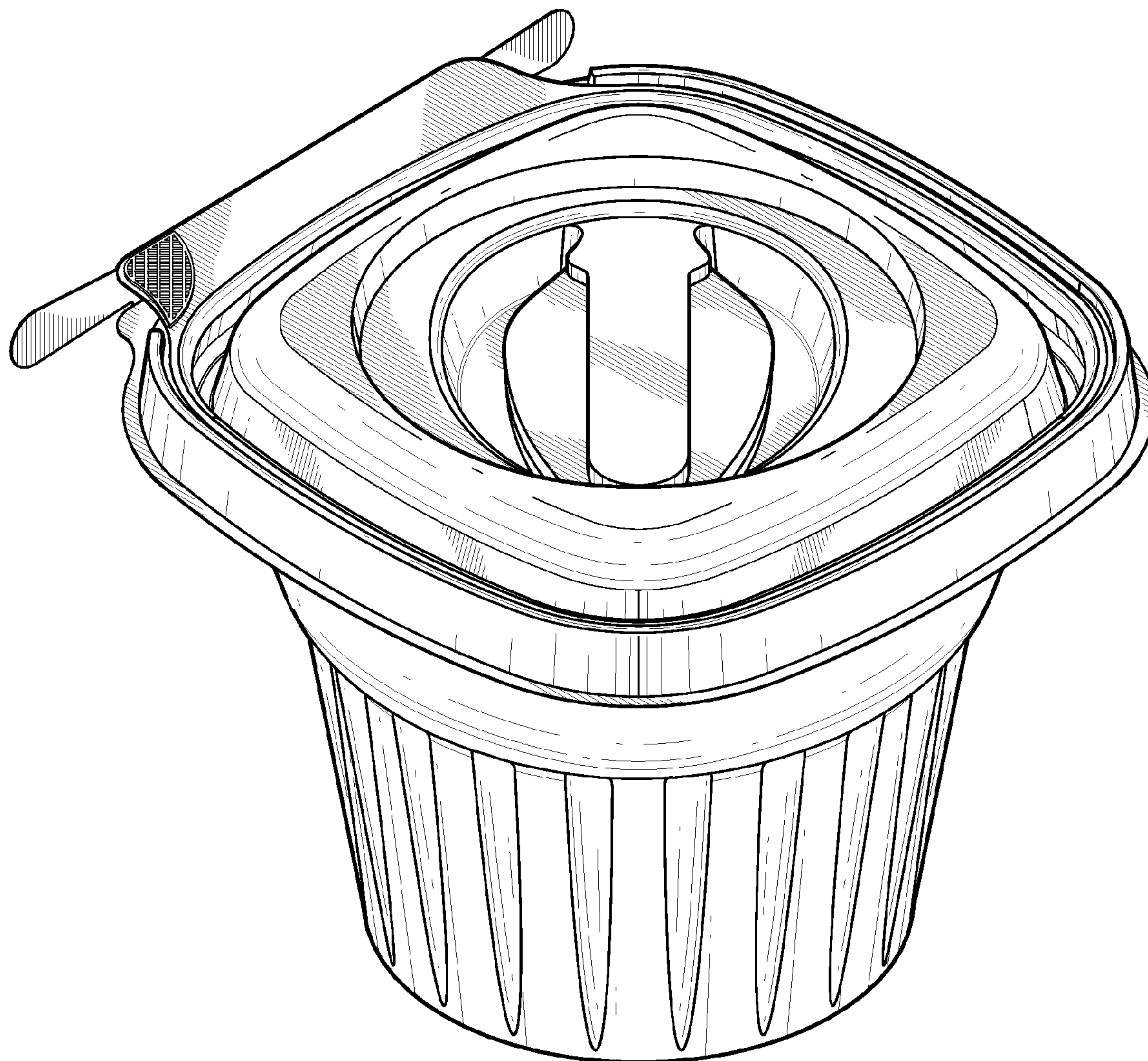


FIG. 1

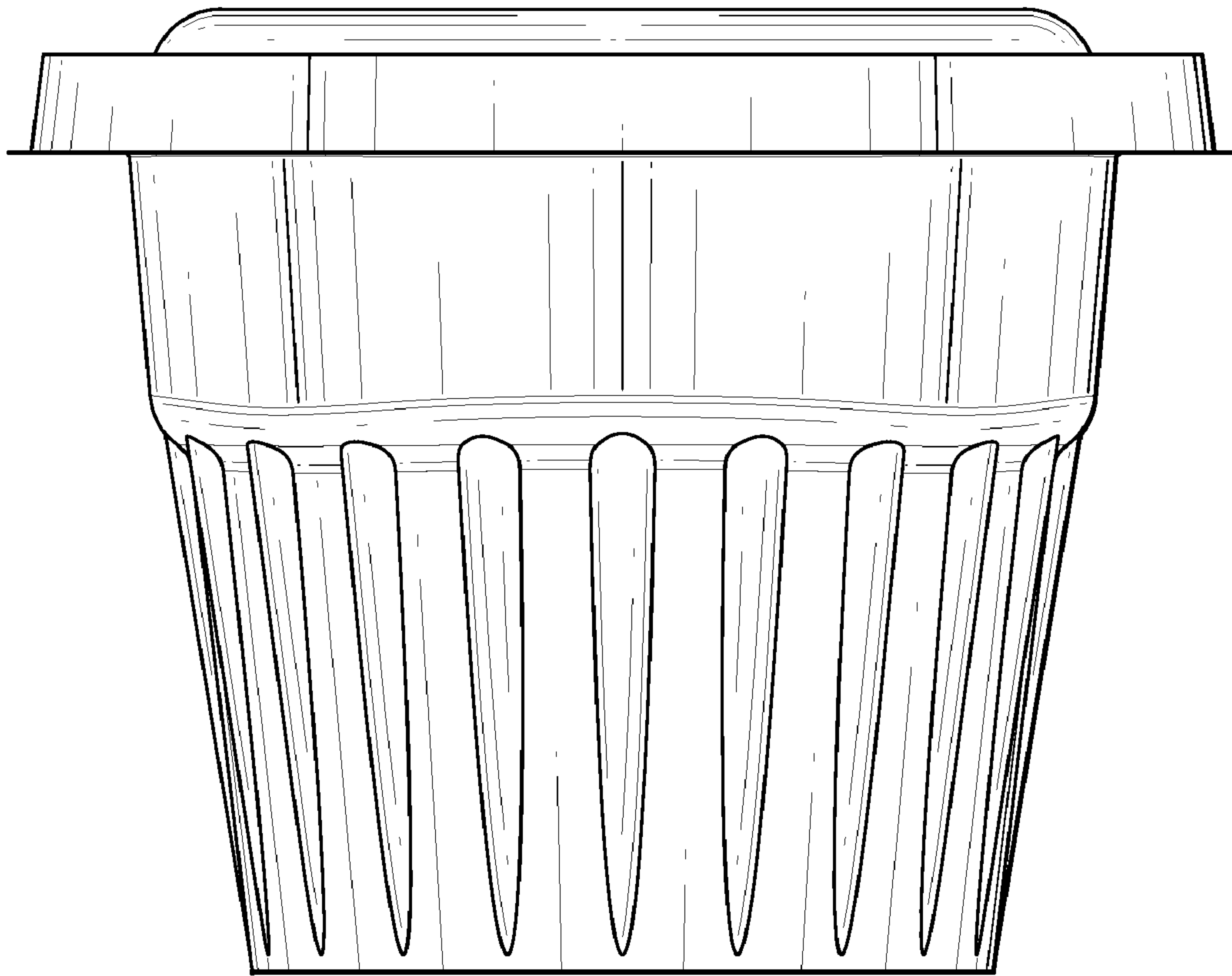


FIG. 2

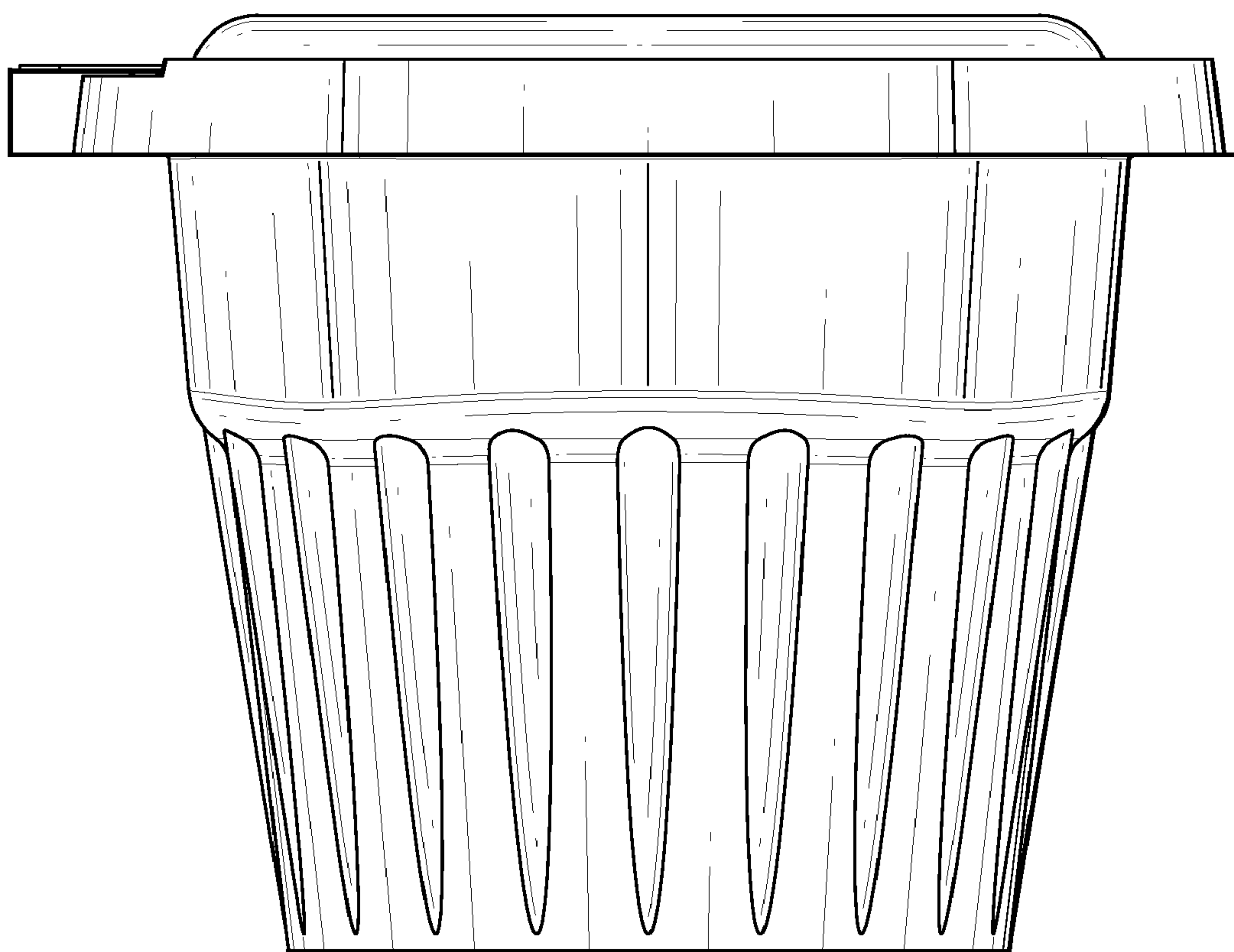


FIG. 3



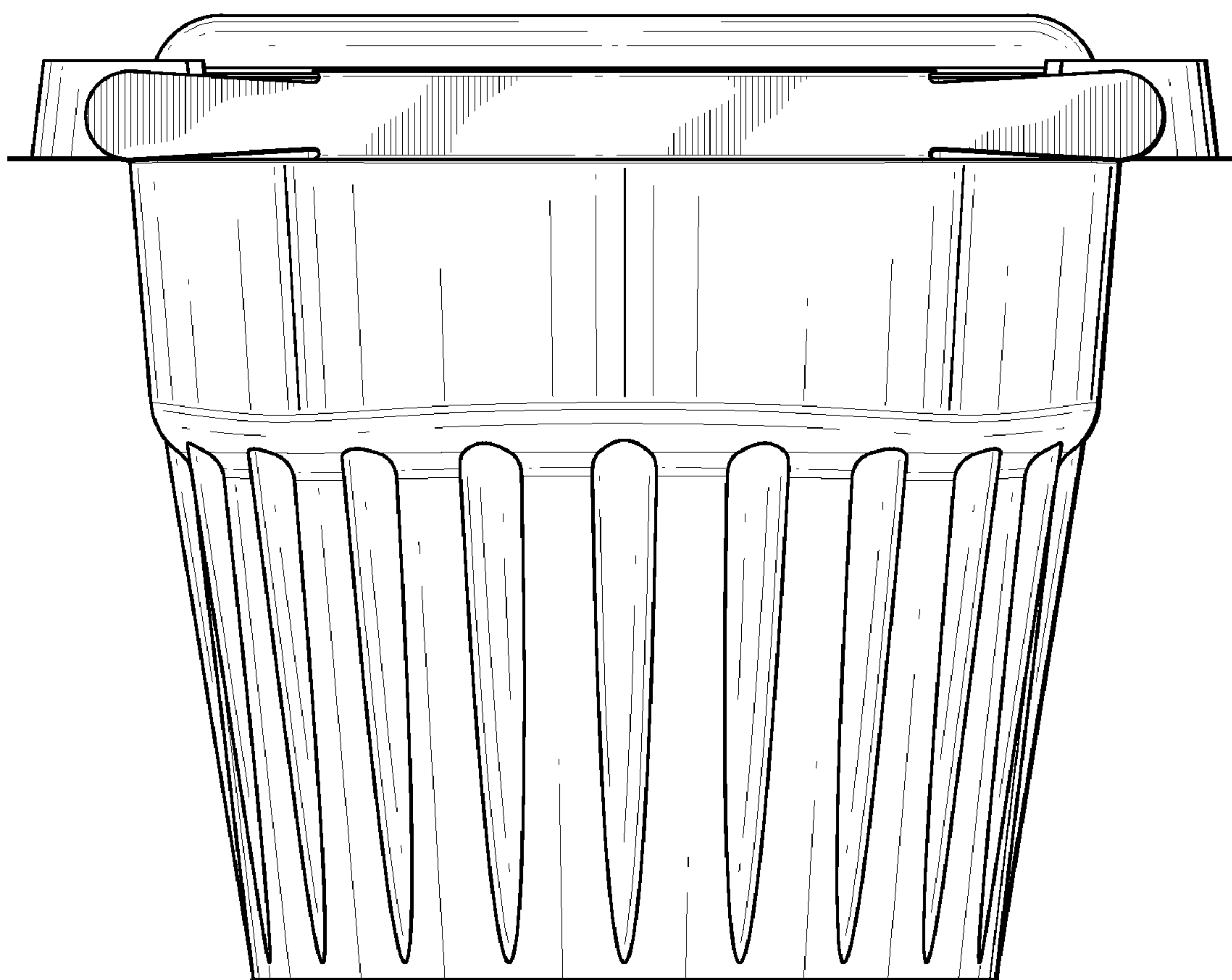


FIG. 4

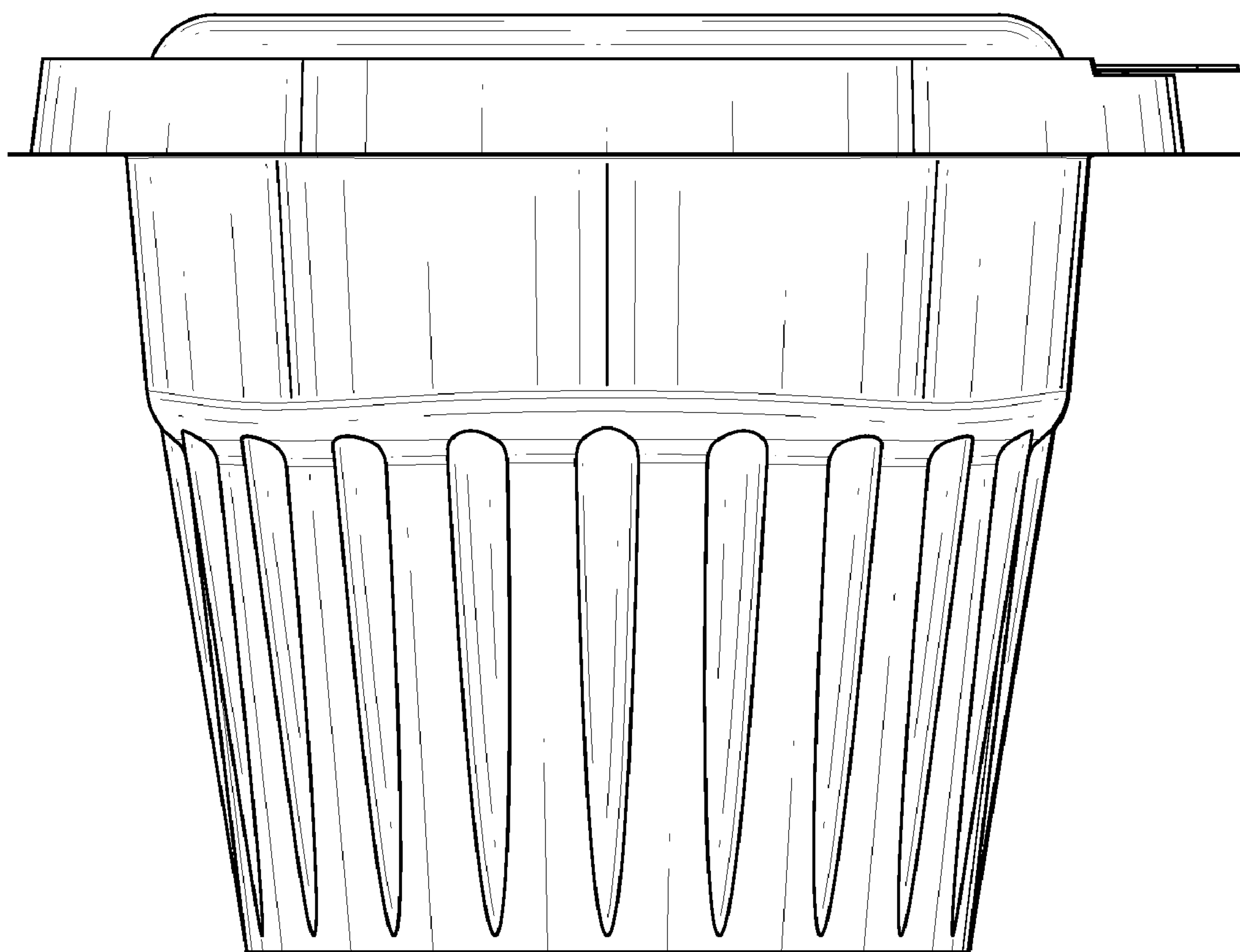


FIG. 5

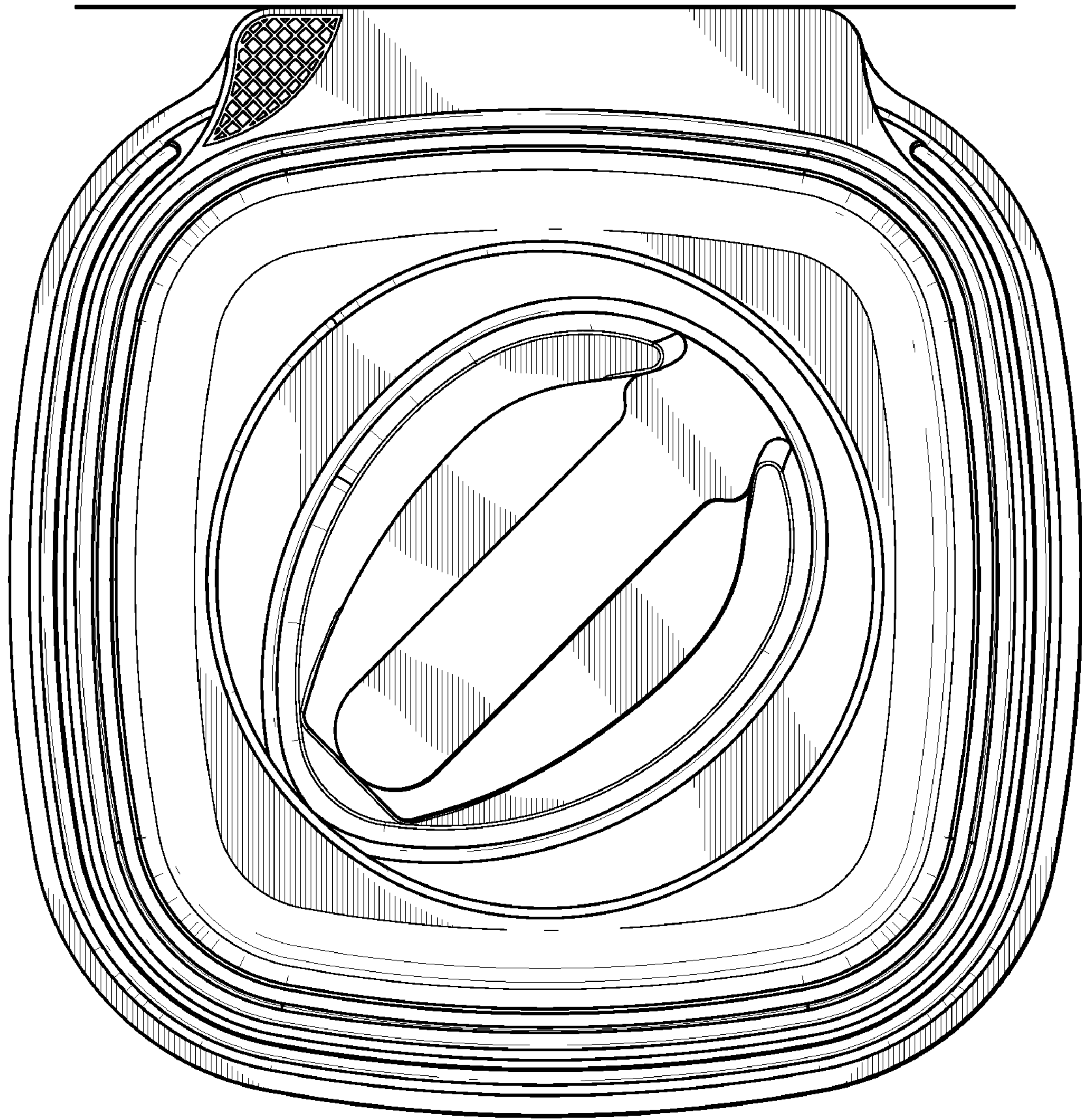


FIG. 6

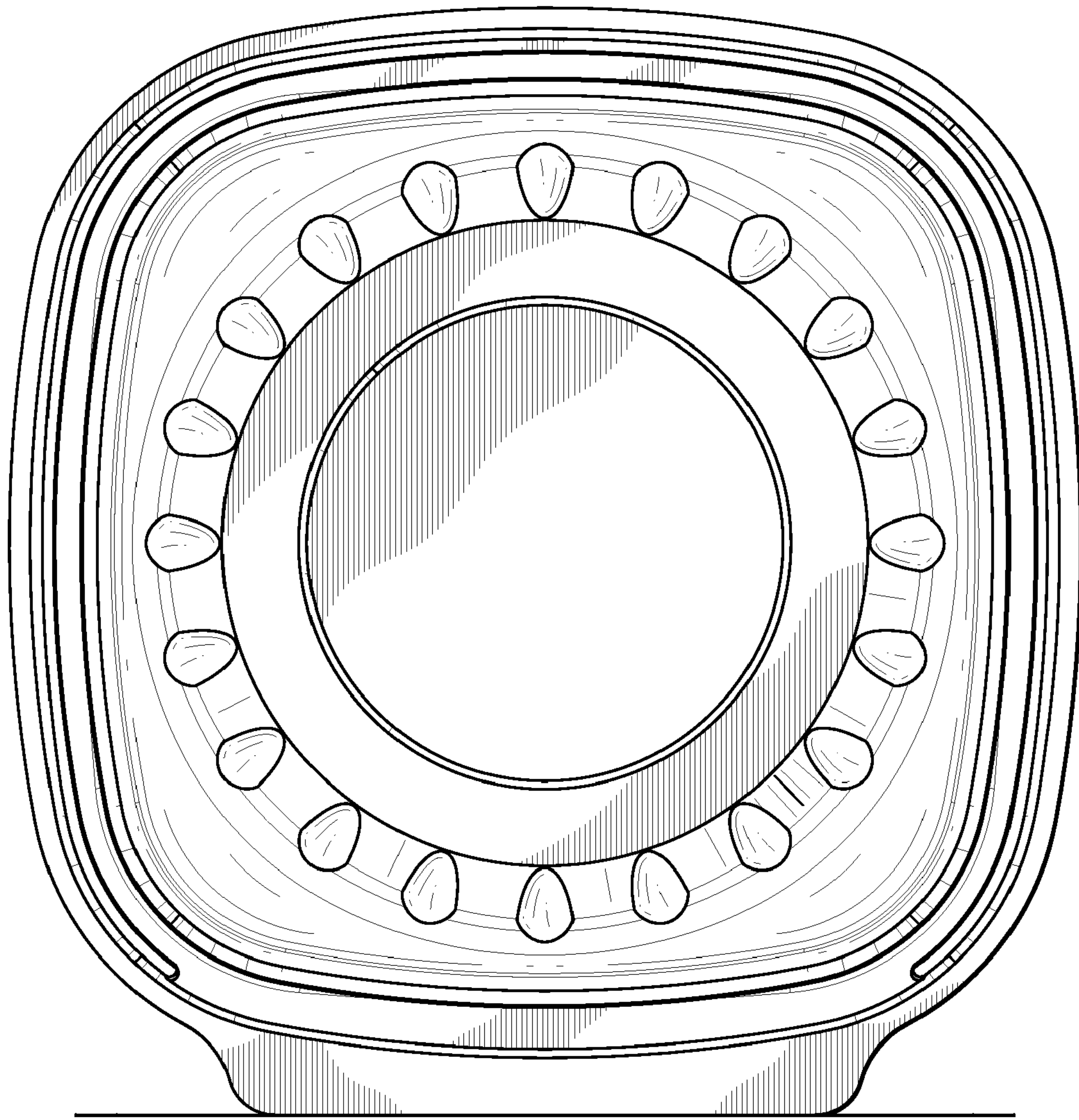


FIG. 7



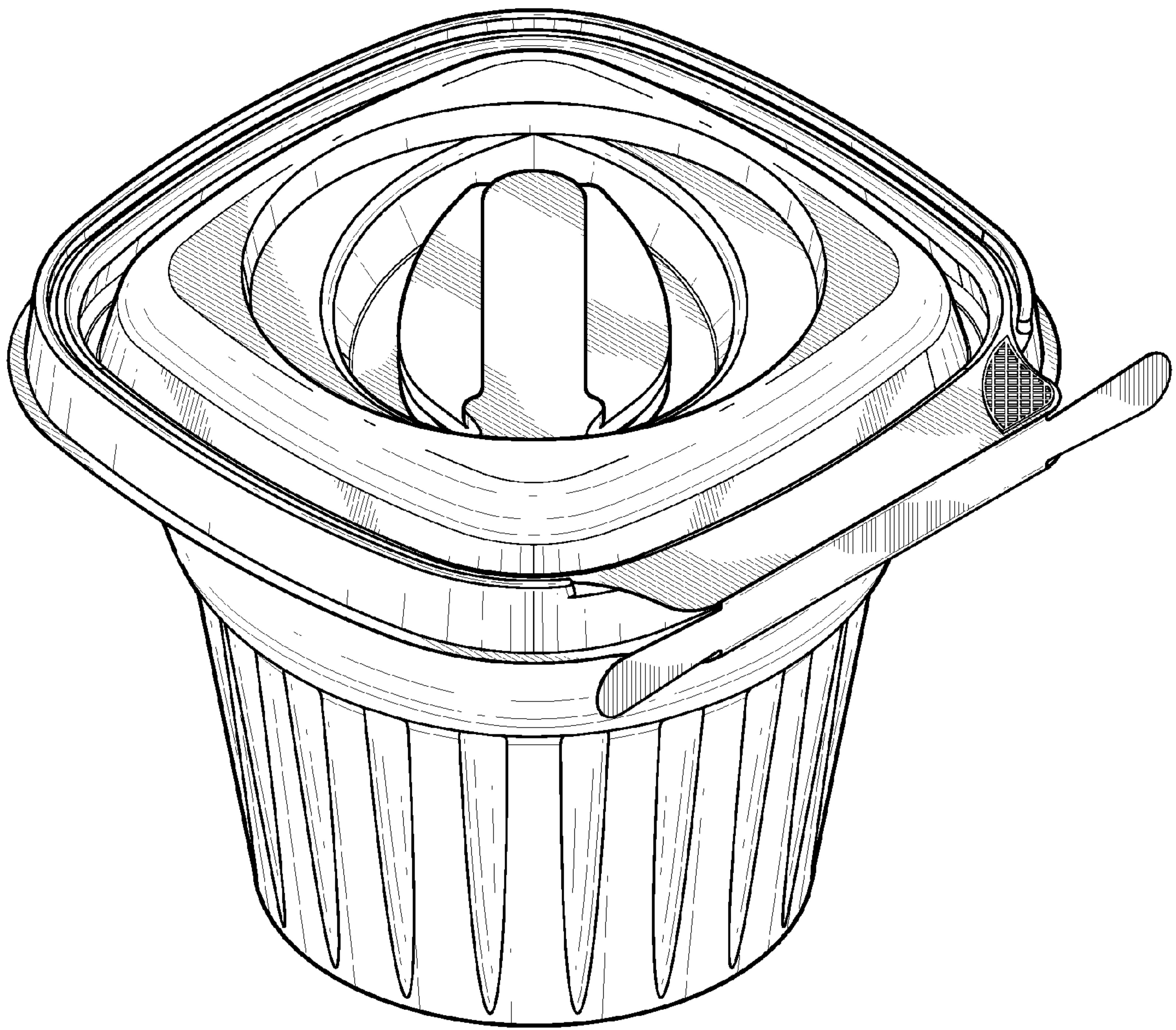


FIG. 8

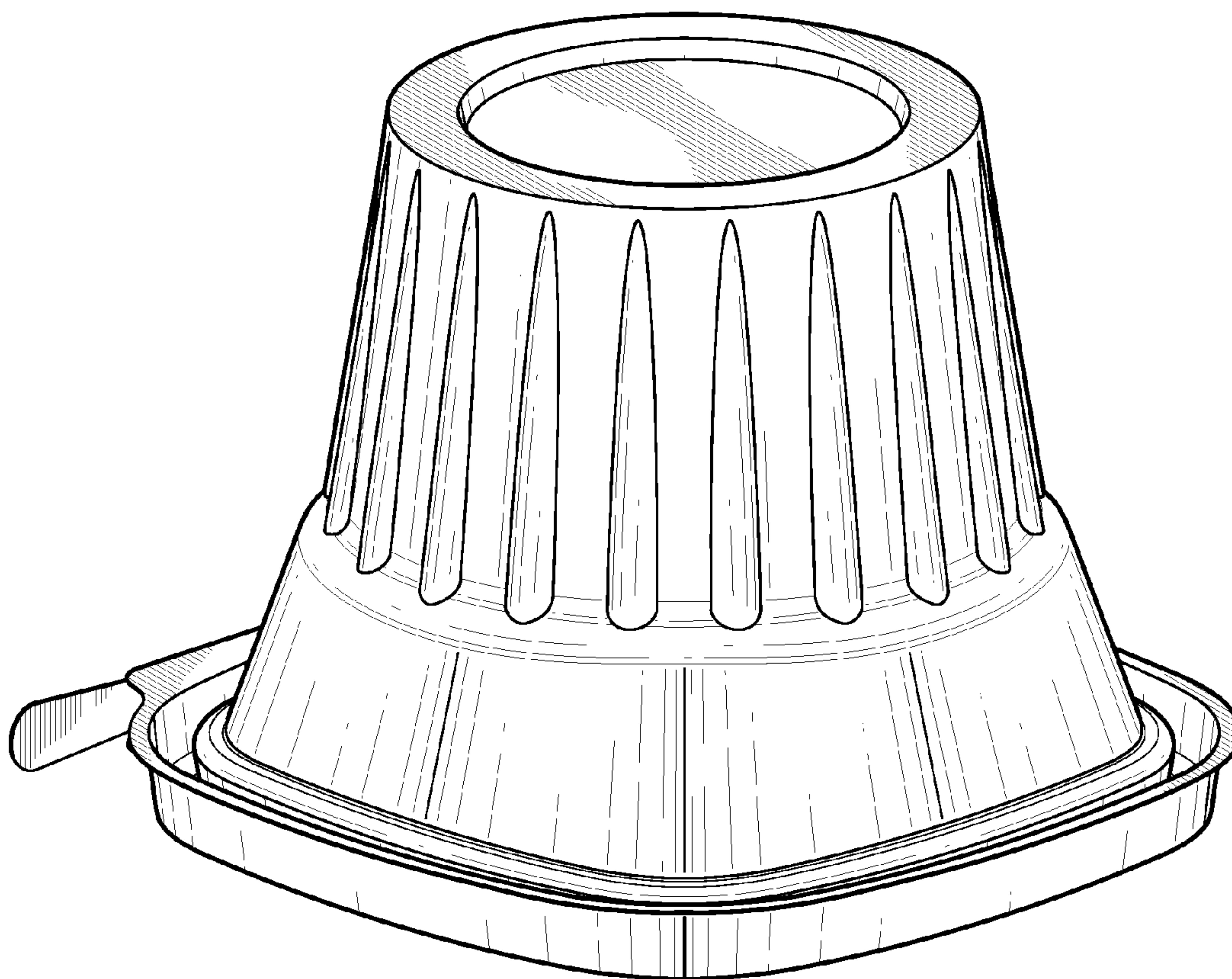


FIG. 9