



US00D637479S

(12) **United States Design Patent**  
**Matsubayashi**

(10) **Patent No.:** **US D637,479 S**

(45) **Date of Patent:** **\*\* May 10, 2011**

(54) **SCREW**

(75) Inventor: **Kou Matsubayashi**, Nagoya (JP)

(73) Assignee: **Art Screw Co., Ltd.** (JP)

(\*\*) Term: **14 Years**

(21) Appl. No.: **29/354,993**

(22) Filed: **Feb. 1, 2010**

(30) **Foreign Application Priority Data**

Sep. 11, 2009 (JP) ..... 2009-021119  
Sep. 11, 2009 (JP) ..... 2009-021120

(51) **LOC (9) Cl.** ..... **08-08**

(52) **U.S. Cl.** ..... **D8/387**

(58) **Field of Classification Search** ..... D8/387,  
D8/388; 411/410, 419, 378, 387.1, 393,  
411/402, 411, 417-418, 399  
See application file for complete search history.

(56) **References Cited**

**U.S. PATENT DOCUMENTS**

2,907,245 A \* 10/1959 Whitson ..... 411/393  
3,351,966 A \* 11/1967 Pelochino ..... 470/14  
4,764,068 A \* 8/1988 Crispell ..... 411/393  
D415,016 S \* 10/1999 Murguia ..... D8/387  
D604,600 S \* 11/2009 Lesesky ..... D8/387  
D622,582 S \* 8/2010 Lottner et al. .... D8/387  
2007/0264100 A1 \* 11/2007 Fujii et al. .... 411/411  
2009/0116929 A1 \* 5/2009 Shea et al. .... 411/311

**FOREIGN PATENT DOCUMENTS**

JP 2007111740 A \* 5/2007

**OTHER PUBLICATIONS**

European Community Design Application for “Screws”, filed Sep. 15, 2009.

Japanese Design Patent Application No. 2009-005984 for “Screws”, filed Mar. 17, 2009.

Japanese Design Patent Application No. 2009-005985 for “Screws”, filed Mar. 17, 2009.

Japanese Design Patent Application No. 2009-005986 for “Screws”, filed Mar. 17, 2009.

\* cited by examiner

*Primary Examiner* — Holly H Baynham

*Assistant Examiner* — Sheryl Lane

(74) *Attorney, Agent, or Firm* — SAIDMAN DesignLaw Group

(57) **CLAIM**

The ornamental design for a screw, as shown and described.

**DESCRIPTION**

FIG. 1 is a front view of a first embodiment of a screw showing my new design;

FIG. 2 is a rear view thereof;

FIG. 3 is a left-side view thereof;

FIG. 4 is a right-side view thereof;

FIG. 5 is a top view thereof;

FIG. 6 is a bottom view thereof;

FIG. 7 is an enlarged partial sectional view taken along lines 7—7 of FIG. 1;

FIG. 8 is a front view of a second embodiment thereof;

FIG. 9 is a rear view thereof;

FIG. 10 is a left-side view thereof;

FIG. 11 is a right-side view thereof;

FIG. 12 is a top view thereof;

FIG. 13 is a bottom view thereof; and,

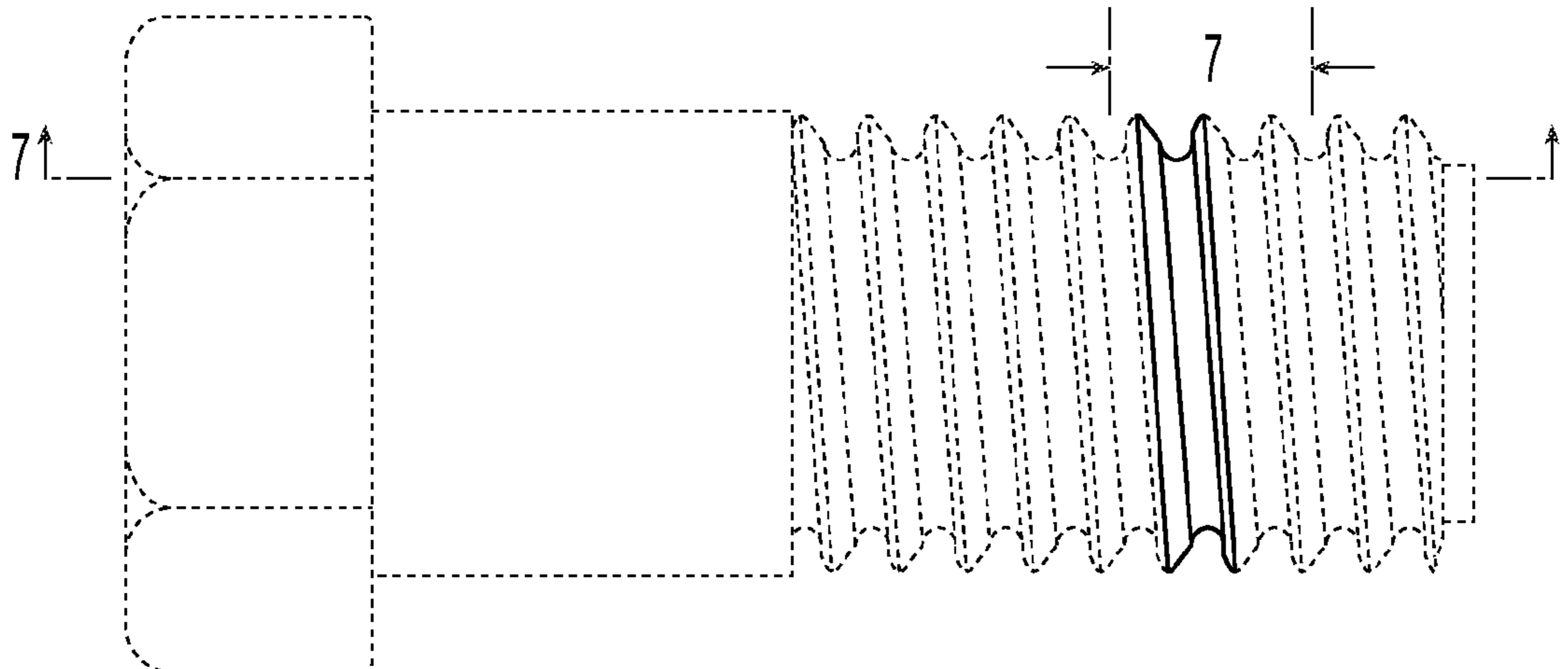
FIG. 14 is an enlarged partial sectional view taken along lines 14—14 of FIG. 8.

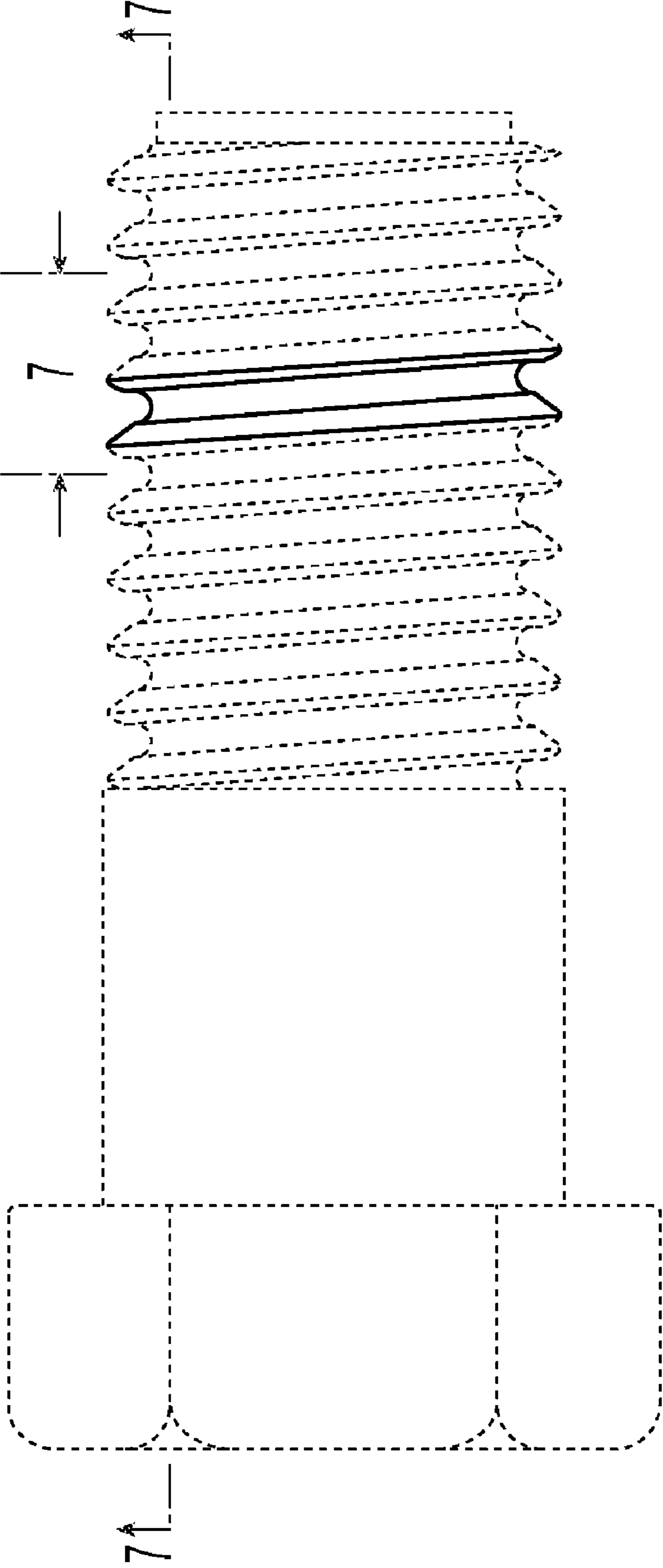
The broken line showing of the screw is for the purpose of illustrating portions of the screw that form no part of the claimed design.

The dash-dot broken lines in FIGS. 6 and 13 define boundaries of the claimed design and form no part thereof.

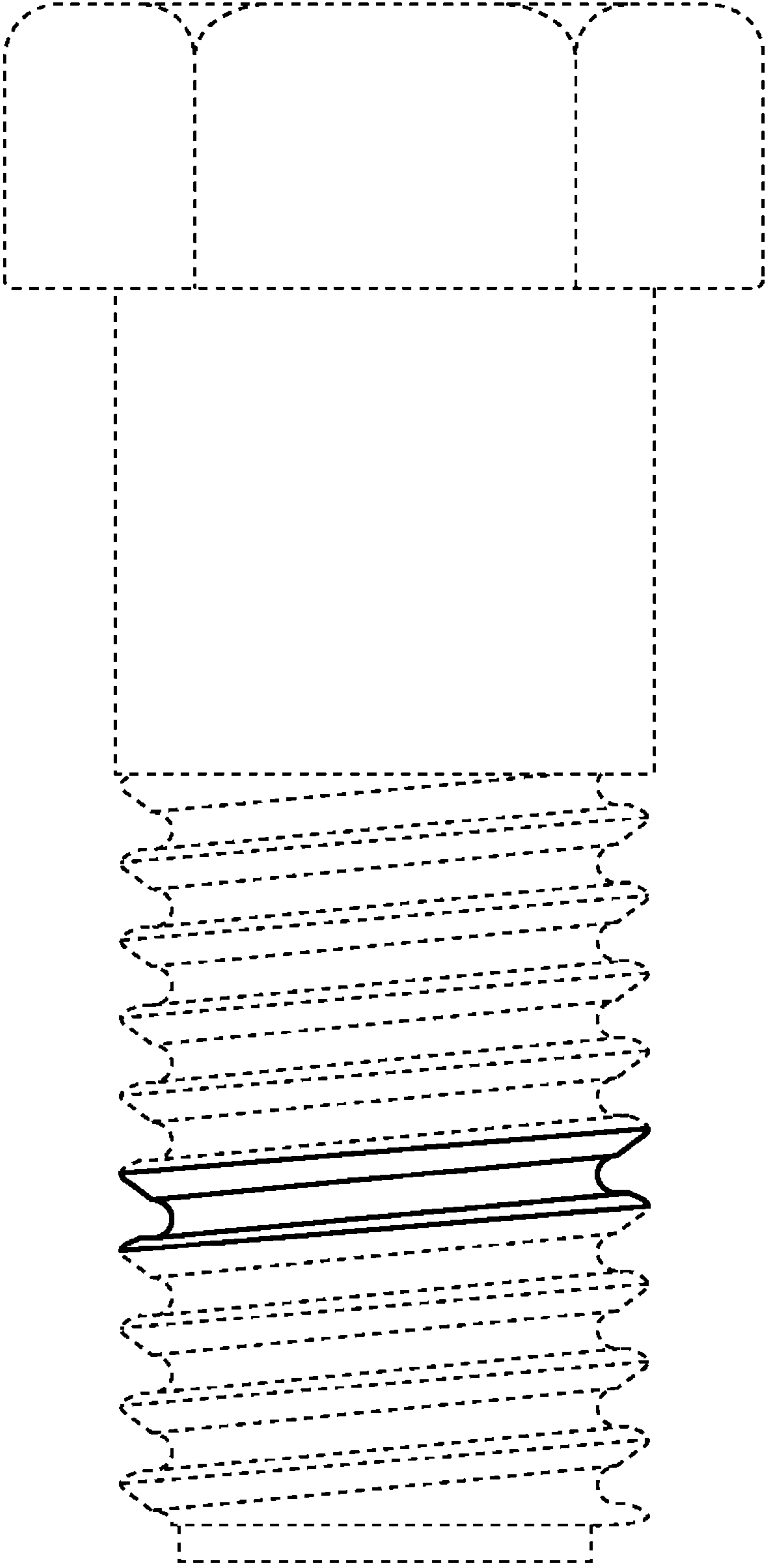
The diagonal broken line showing in FIGS. 7 and 14 is for the purpose of illustrating internal structure that forms no part of the claimed design.

**1 Claim, 12 Drawing Sheets**

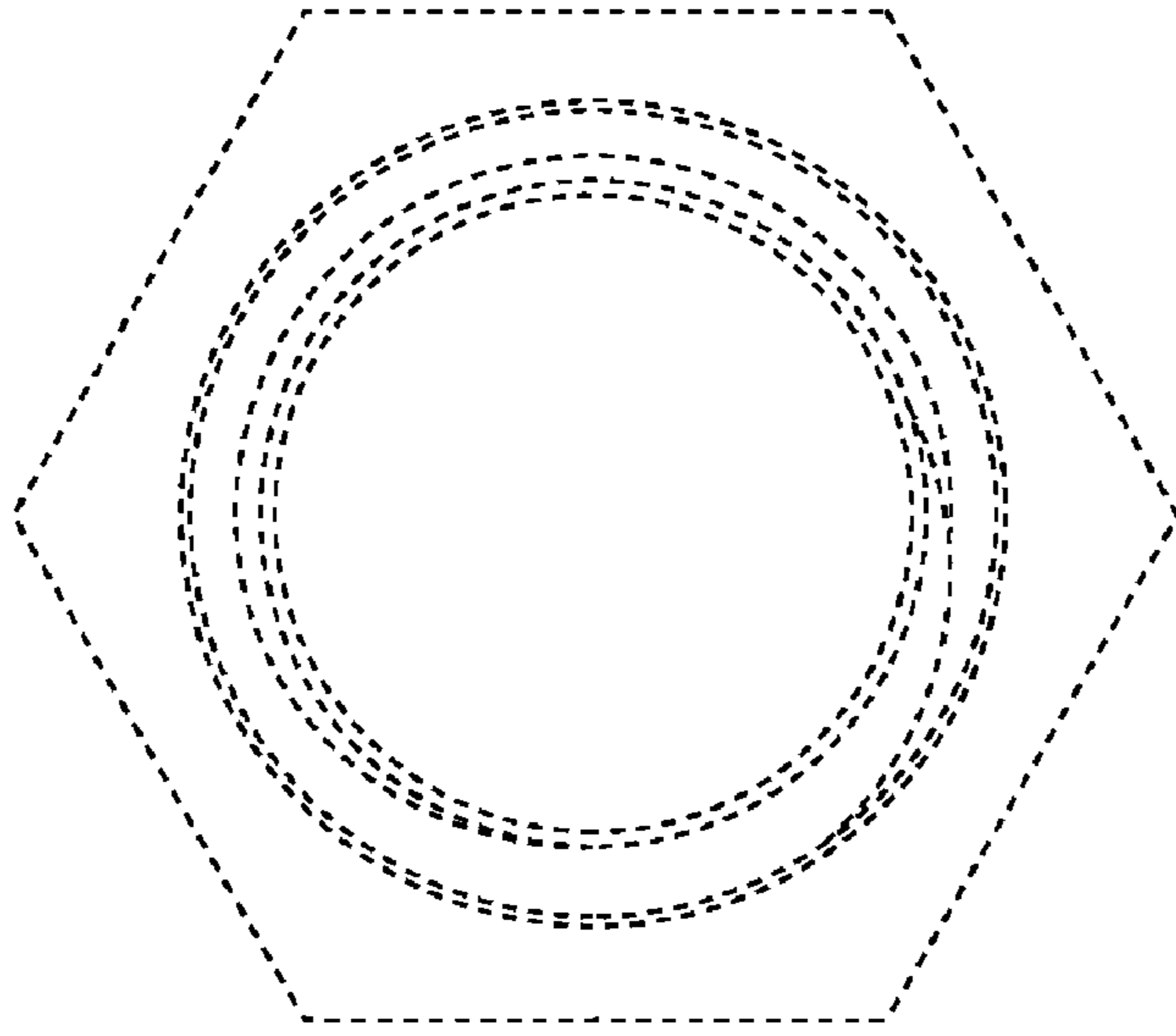




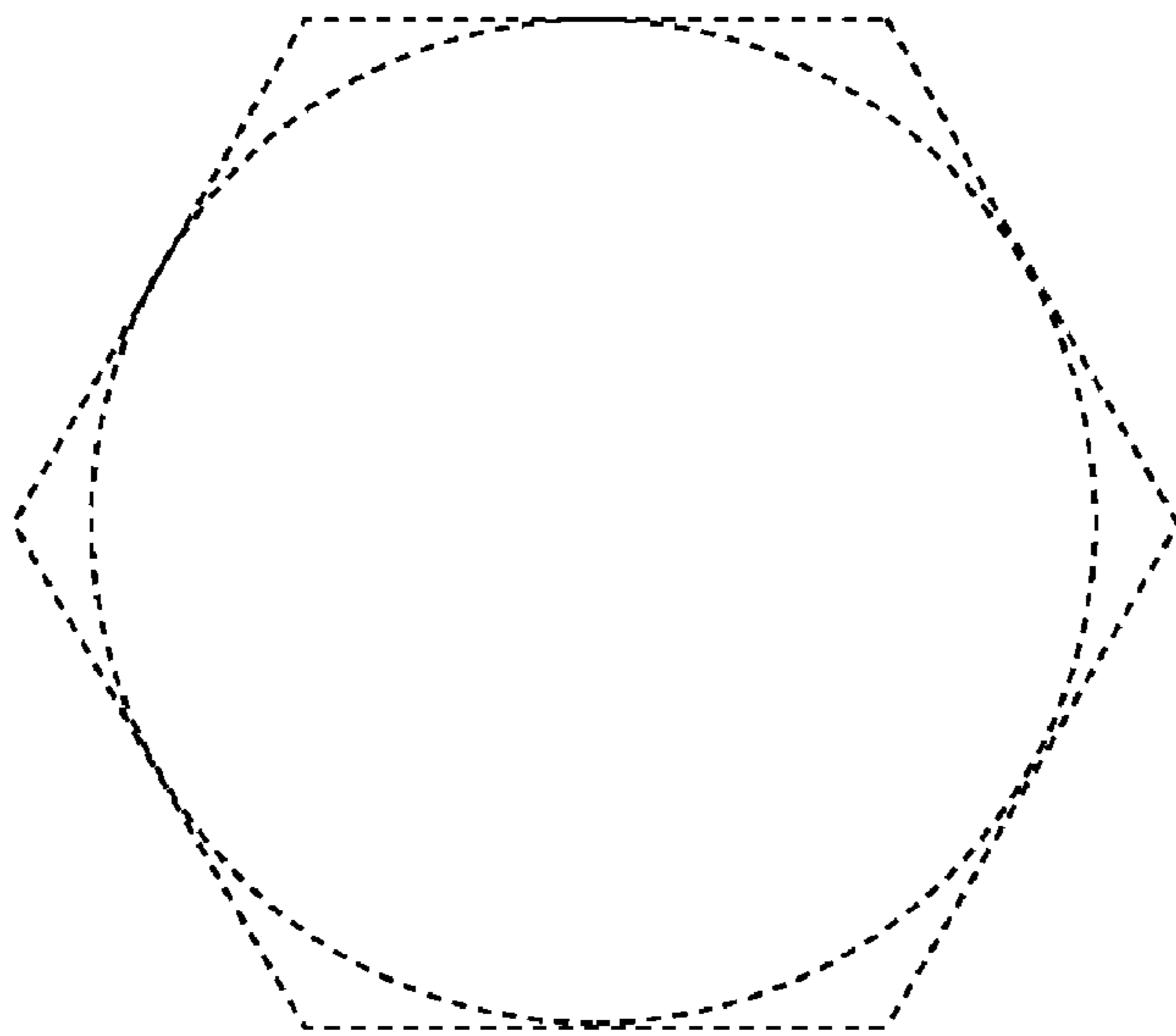
**Fig. 1**



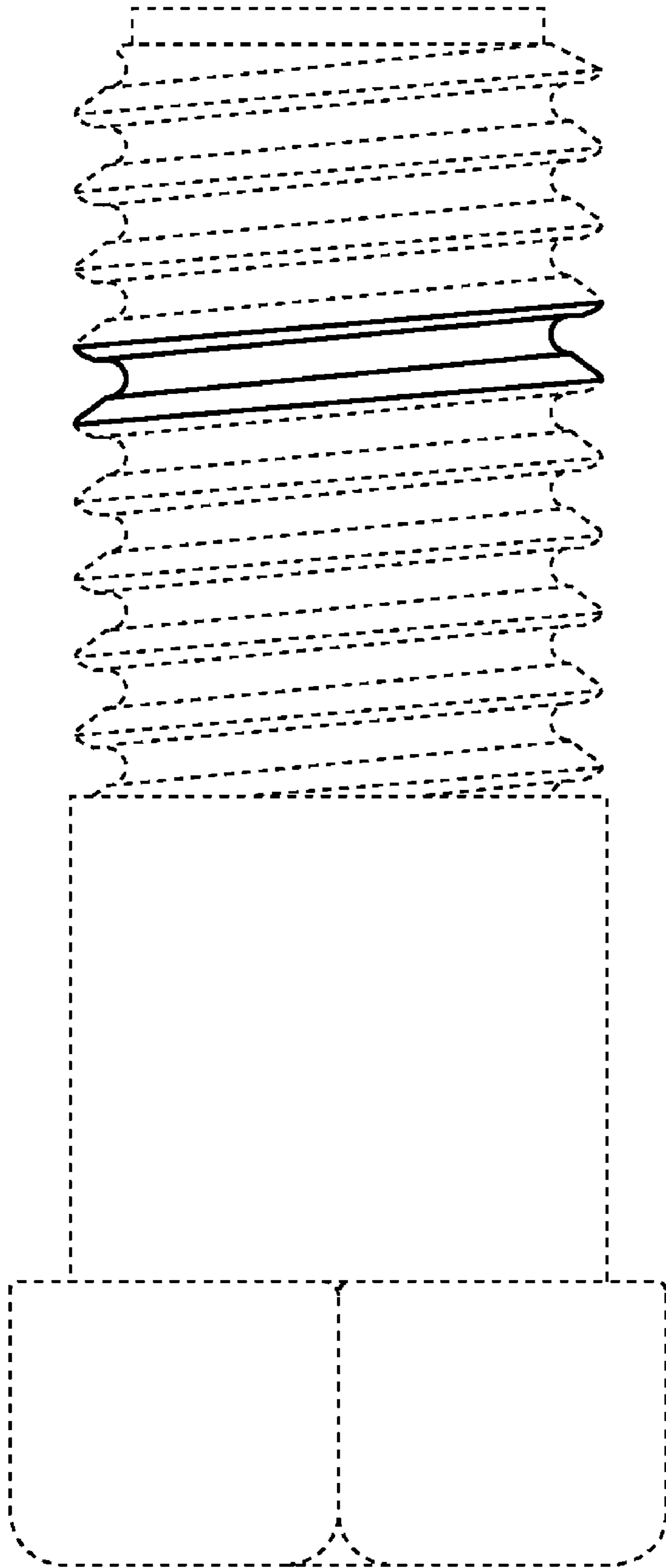
**Fig. 2**



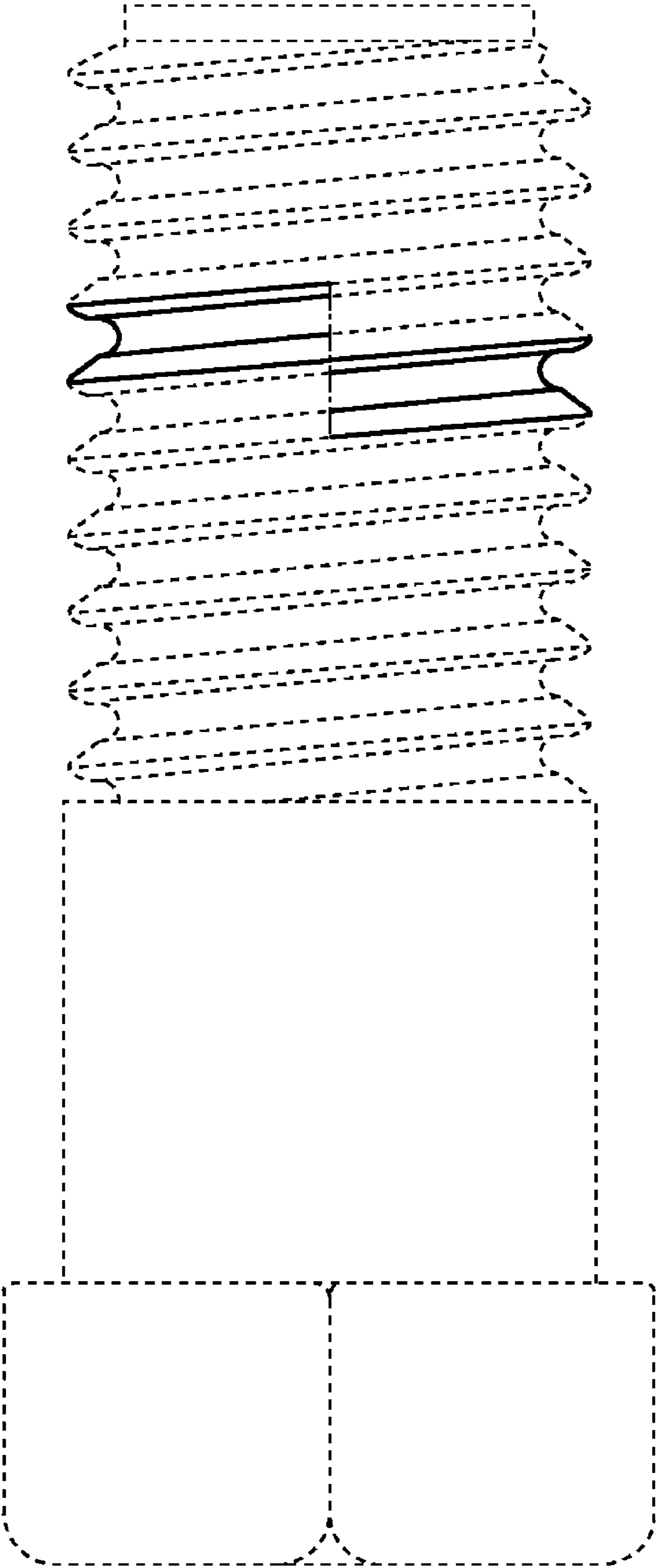
**Fig. 4**



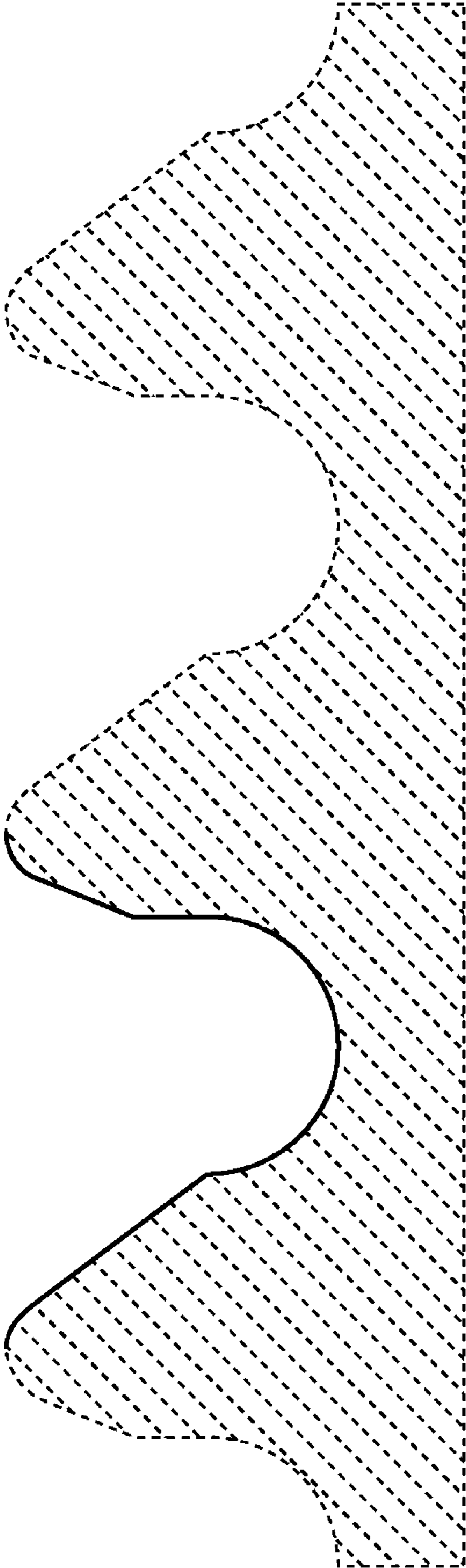
**Fig. 3**



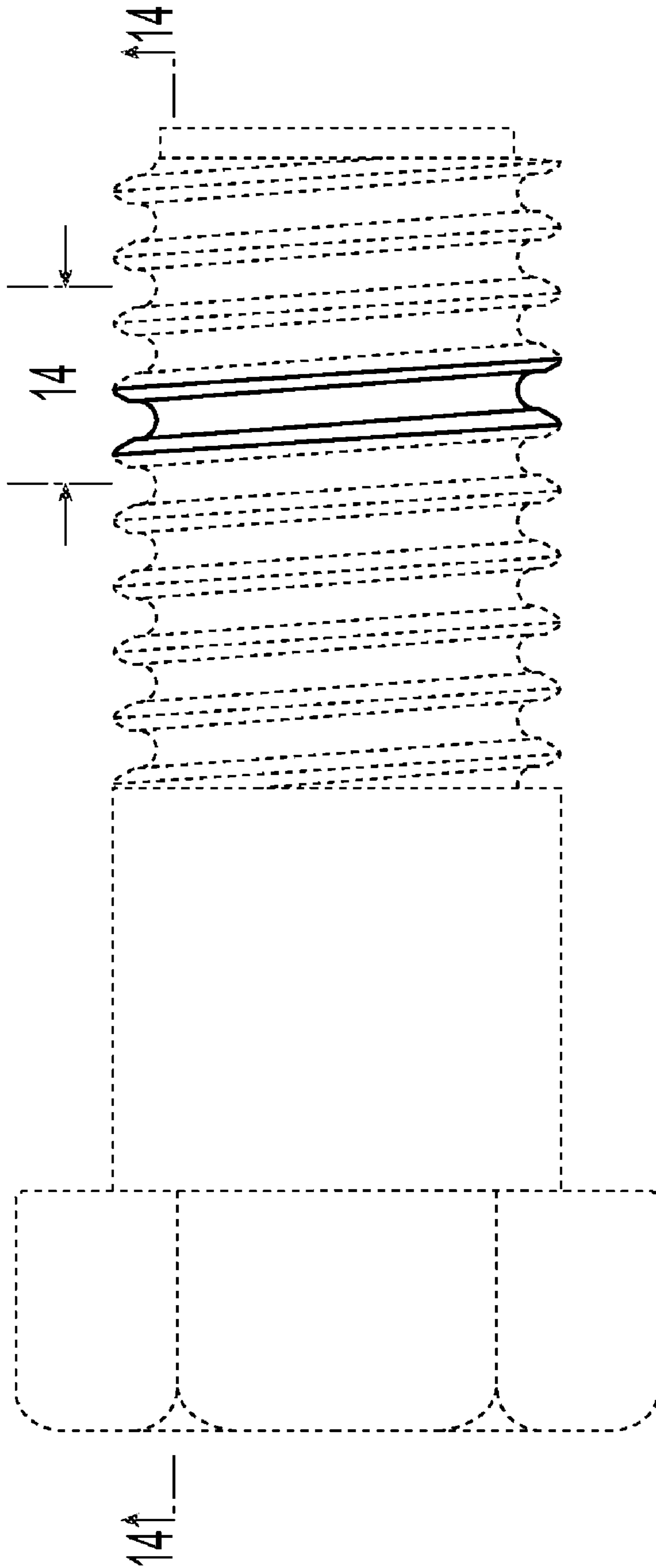
**Fig. 5**



**Fig. 6**

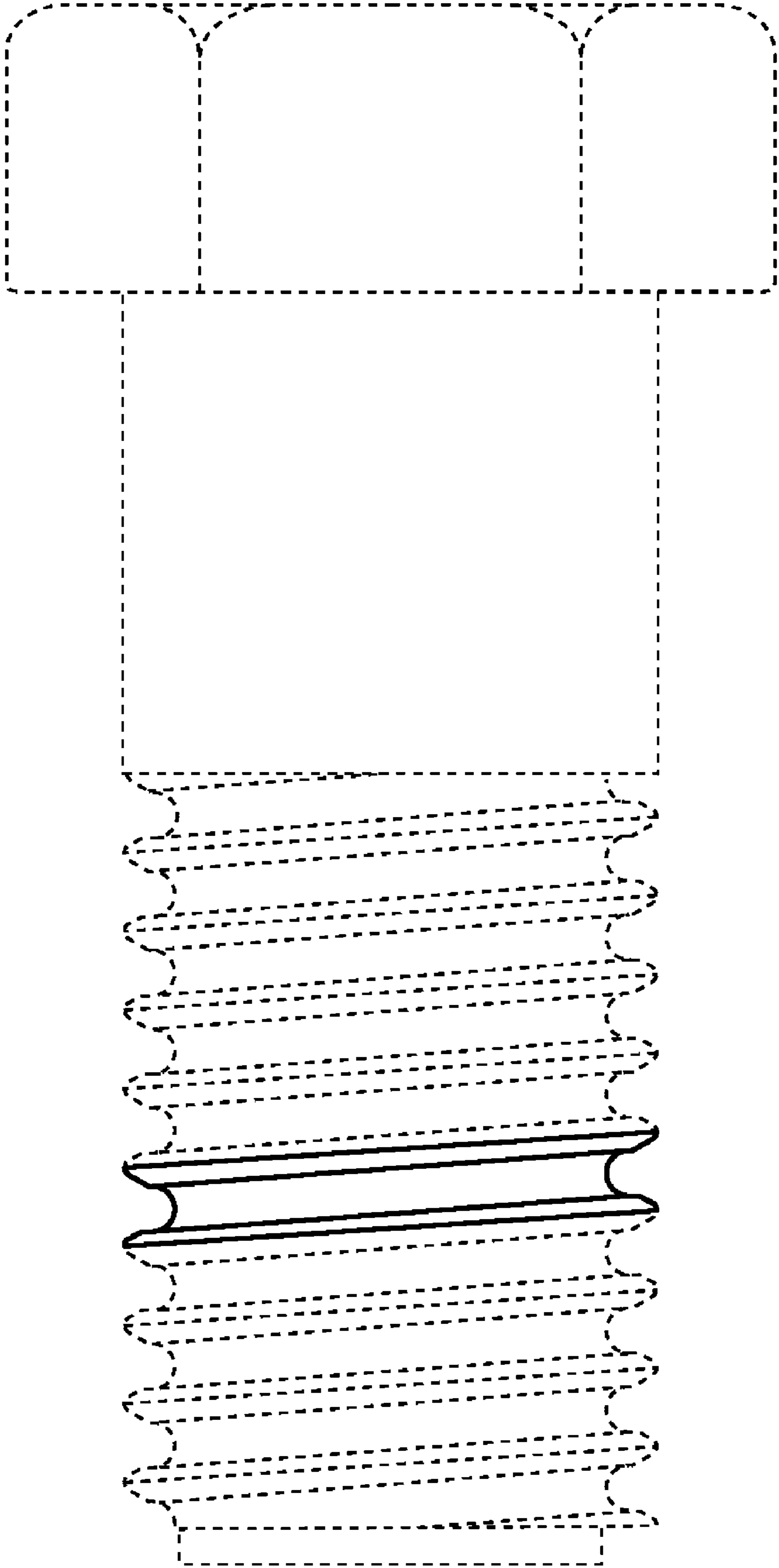


**Fig. 7**

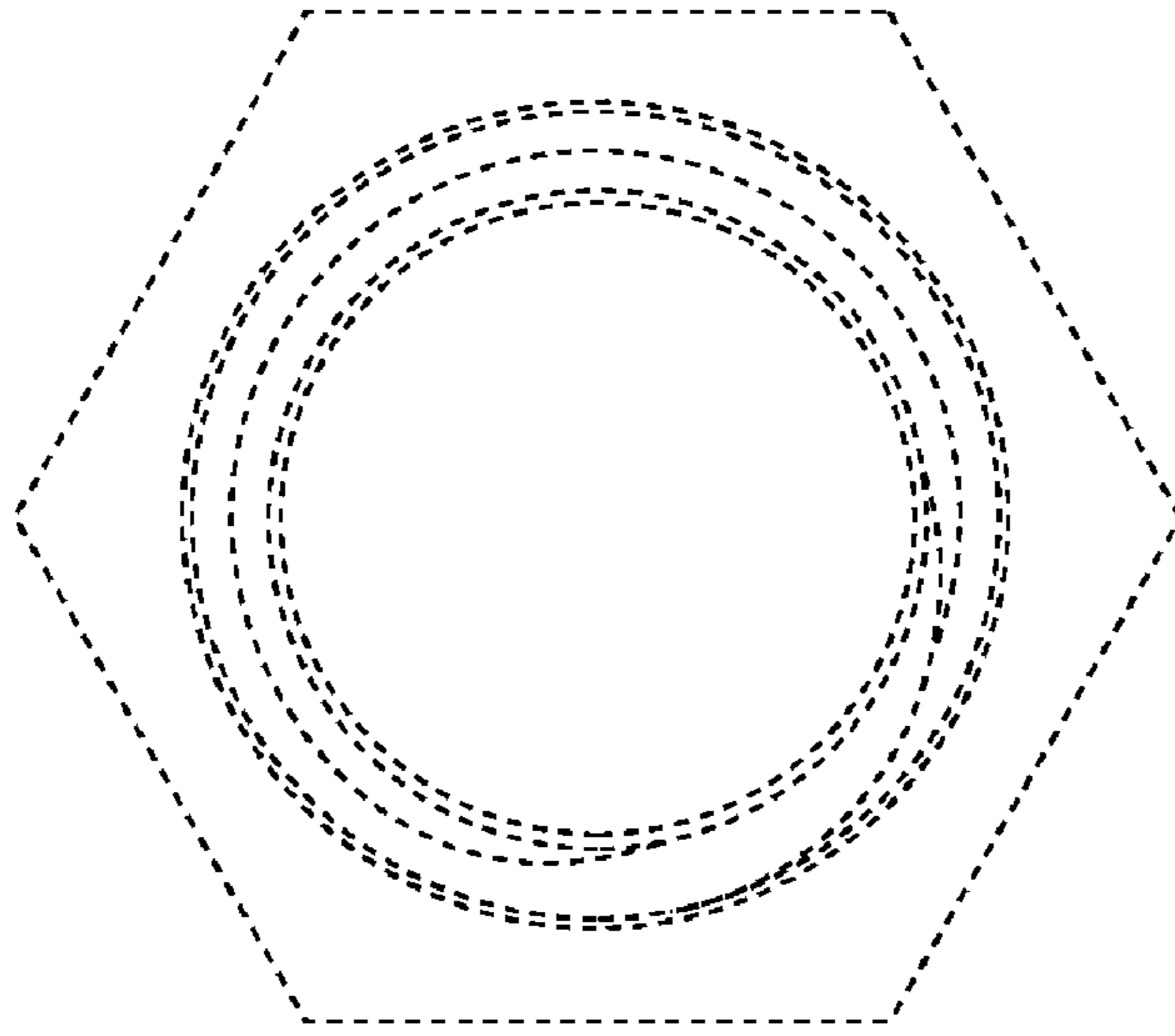


**Fig. 8**

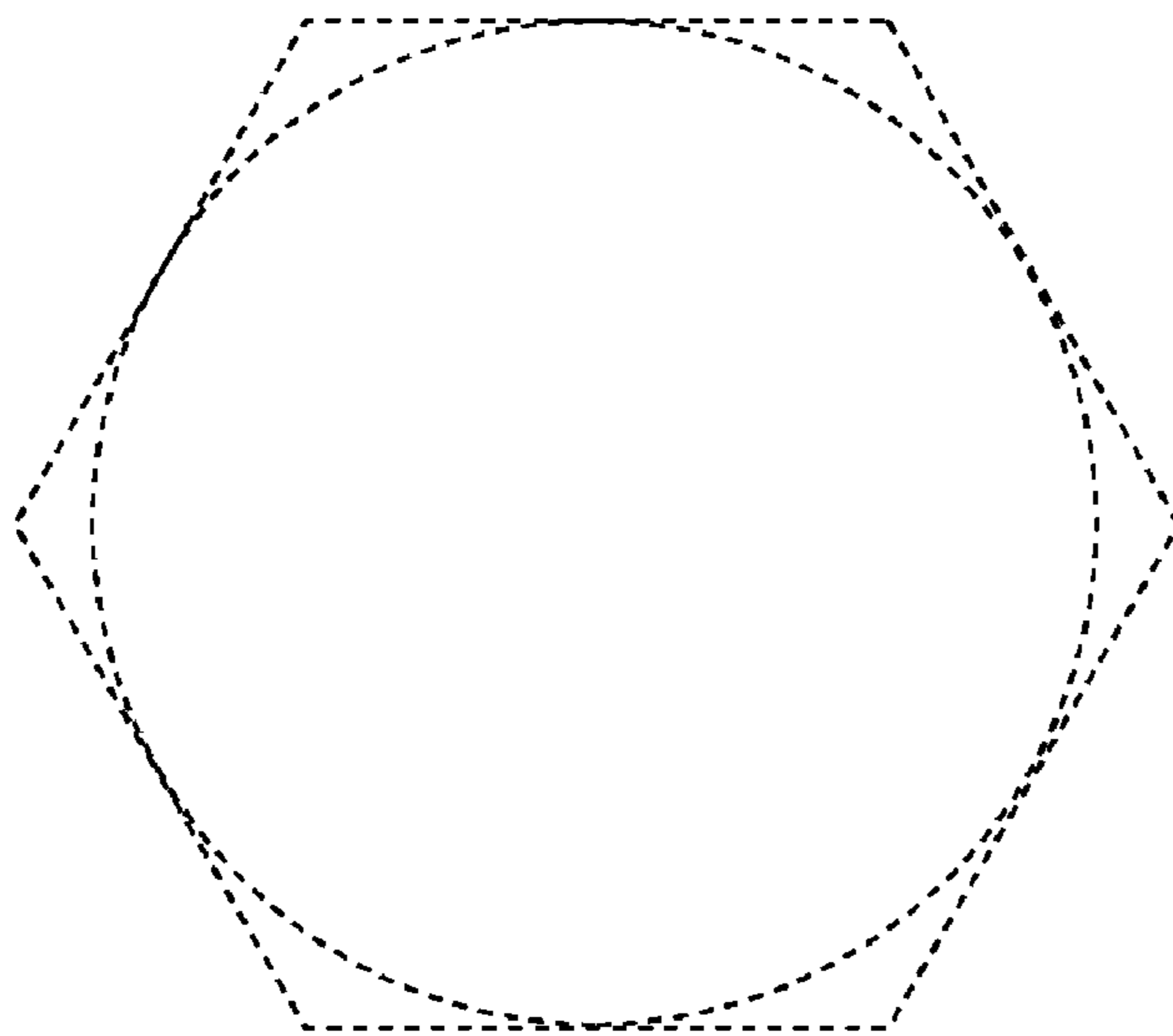




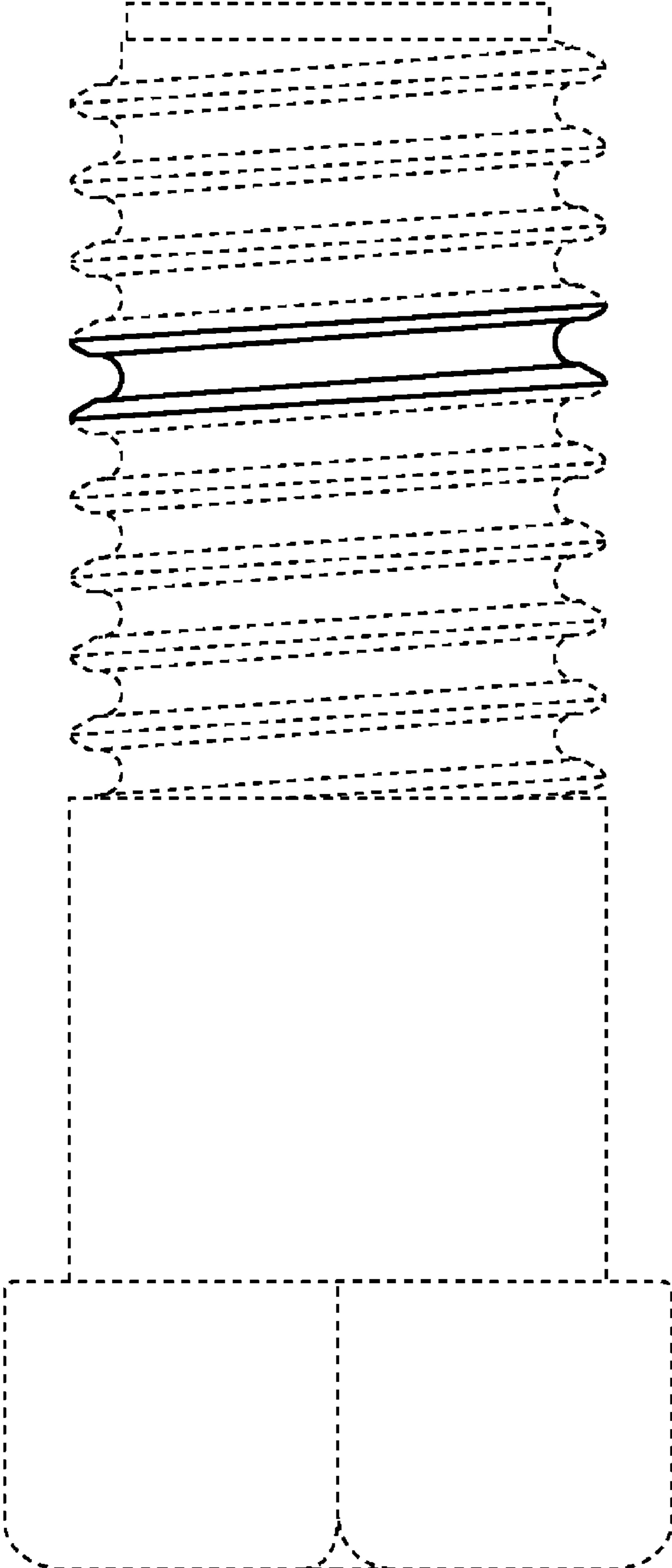
**Fig. 9**



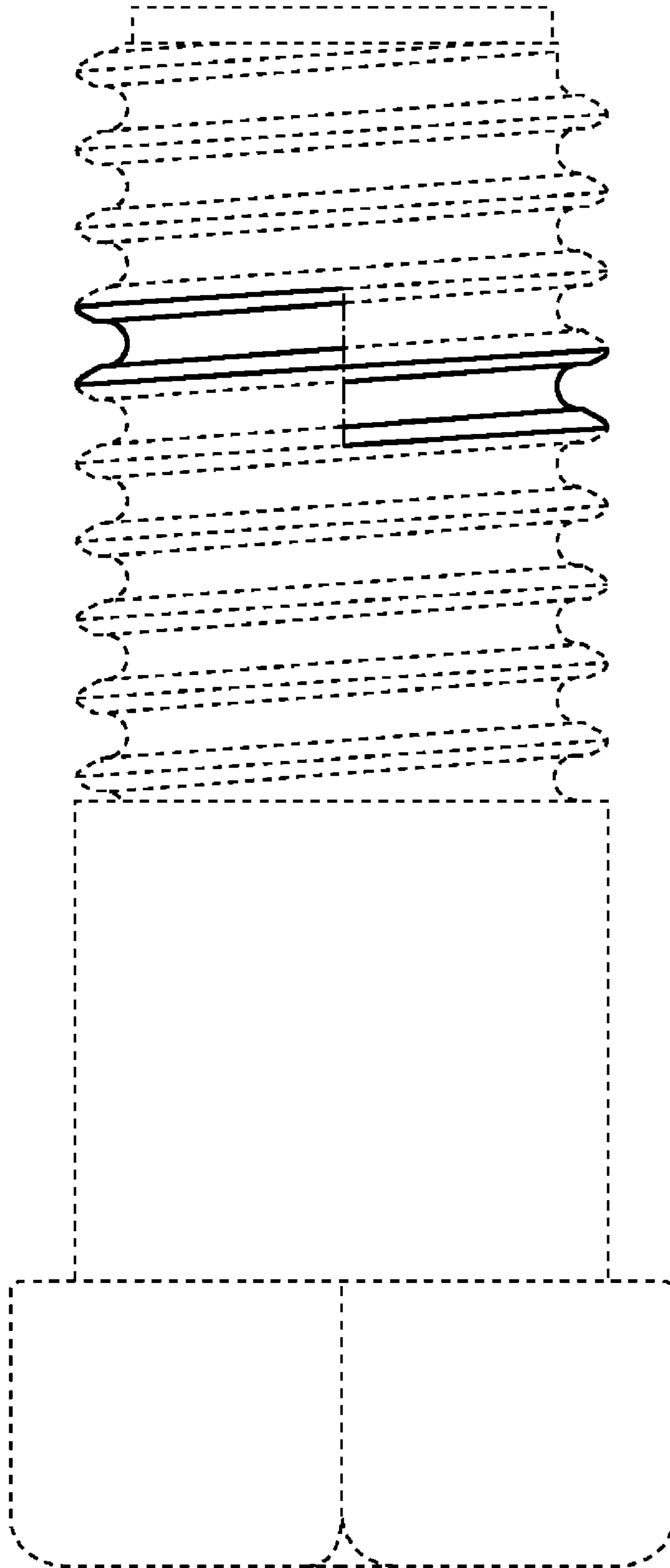
**Fig. 11**



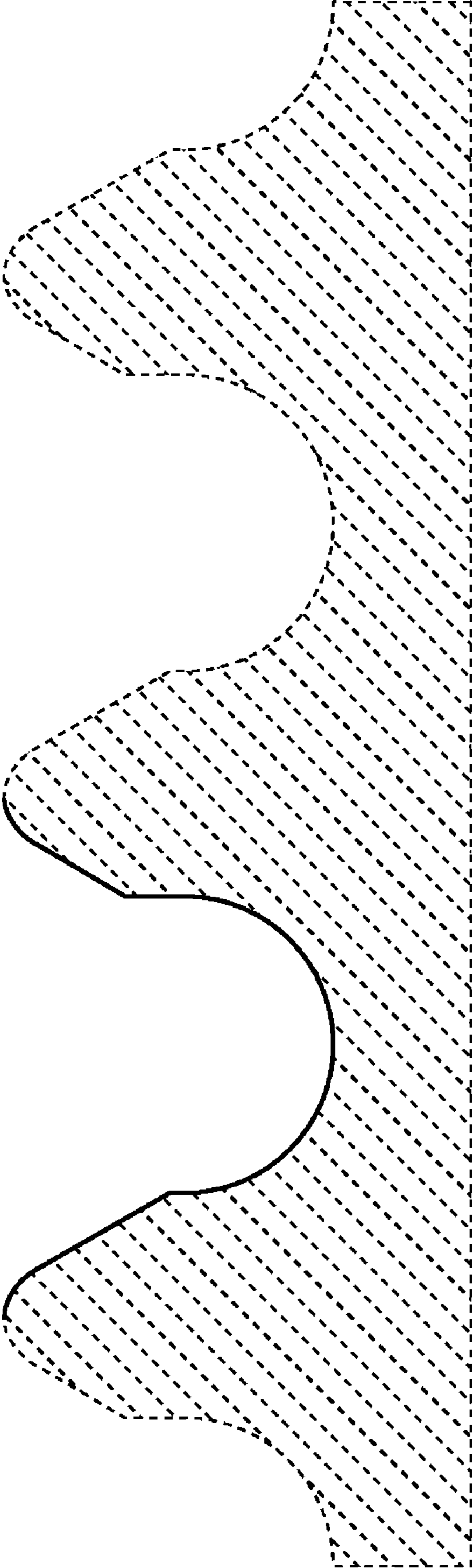
**Fig. 10**



**Fig. 12**



**Fig. 13**



**Fig. 14**