



US00D637477S

(12) **United States Design Patent**
Wall

(10) **Patent No.:** **US D637,477 S**

(45) **Date of Patent:** **** May 10, 2011**

(54) **JOINING BUCKLE FOR COATED WIRE**

(75) Inventor: **John R. Wall**, Carmichaels, PA (US)

(73) Assignee: **John Wall, Inc.**, Carmichaels, PA (US)

(**) Term: **14 Years**

(21) Appl. No.: **29/363,515**

(22) Filed: **Jun. 10, 2010**

(51) **LOC (9) Cl.** **08-08**

(52) **U.S. Cl.** **D8/382**

(58) **Field of Classification Search** D8/382,
D8/349; 248/200, 300

See application file for complete search history.

(56) **References Cited**

U.S. PATENT DOCUMENTS

D285,047 S *	8/1986	Dean et al.	D8/382
D375,040 S *	10/1996	Miyashita	D8/382
D547,642 S *	7/2007	Urmson et al.	D8/382
D556,560 S *	12/2007	Tsuda	D8/382
D563,776 S *	3/2008	Dagg	D8/382
D573,873 S *	7/2008	Wall	D8/354
D576,023 S *	9/2008	Urmson et al.	D8/382

D580,260 S *	11/2008	Collins et al.	D8/382
2004/0262468 A1 *	12/2004	Weyandt	248/200
2005/0040301 A1 *	2/2005	Walter	248/200

* cited by examiner

Primary Examiner — Holly H Baynham

Assistant Examiner — Sheryl Lane

(74) *Attorney, Agent, or Firm* — The Webb Law Firm

(57) **CLAIM**

The ornamental design for a joining buckle for coated wire, as shown and described.

DESCRIPTION

FIG. 1 is a top perspective view of a joining buckle for coated wire showing my new design;

FIG. 2 is a bottom perspective view thereof;

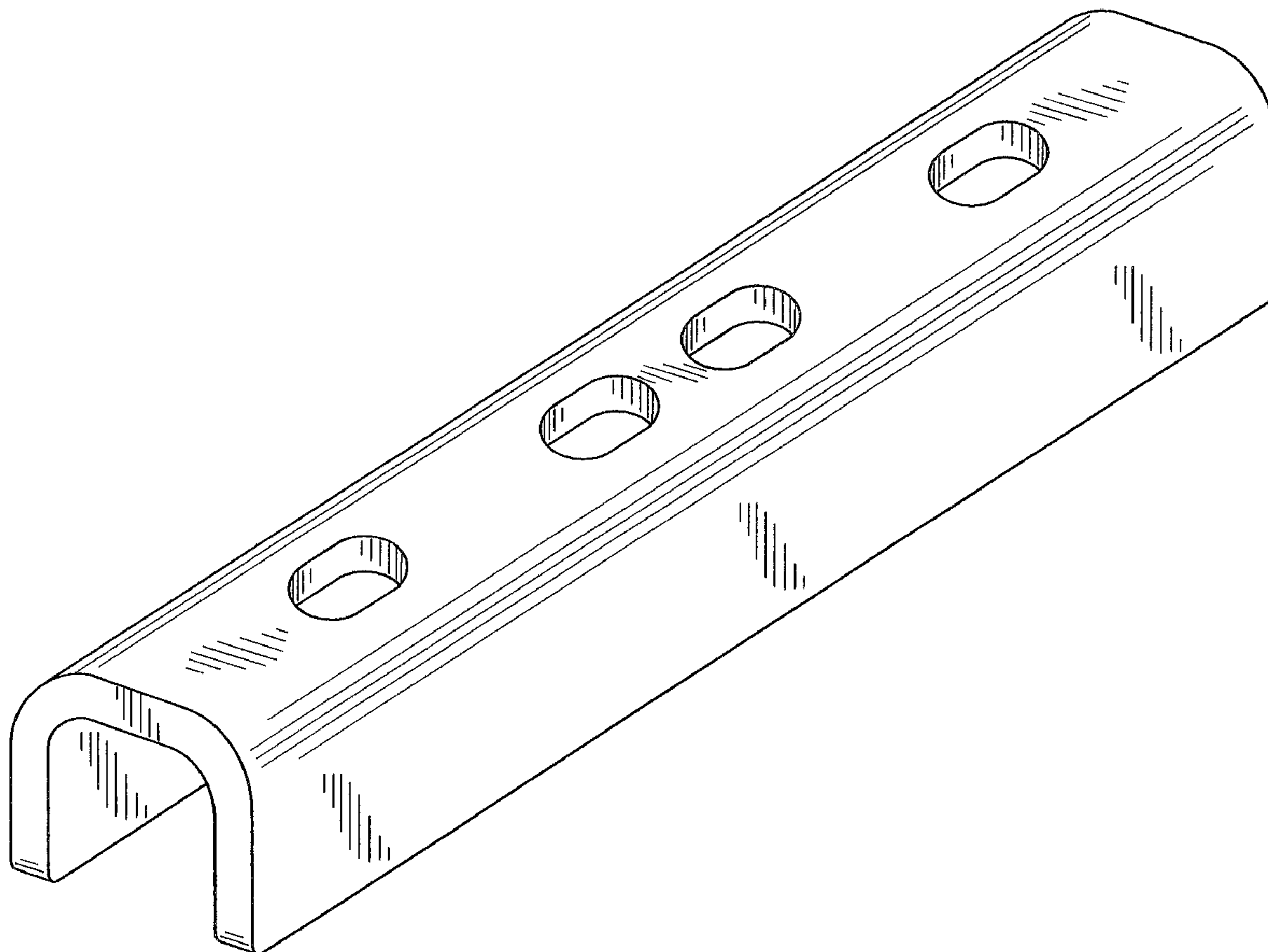
FIG. 3 is a top view thereof;

FIG. 4 is a bottom view thereof;

FIG. 5 is a front view thereof, the rear view being identical to the front view; and,

FIG. 6 is a right end view thereof, the left end view being identical to the right end view.

1 Claim, 4 Drawing Sheets



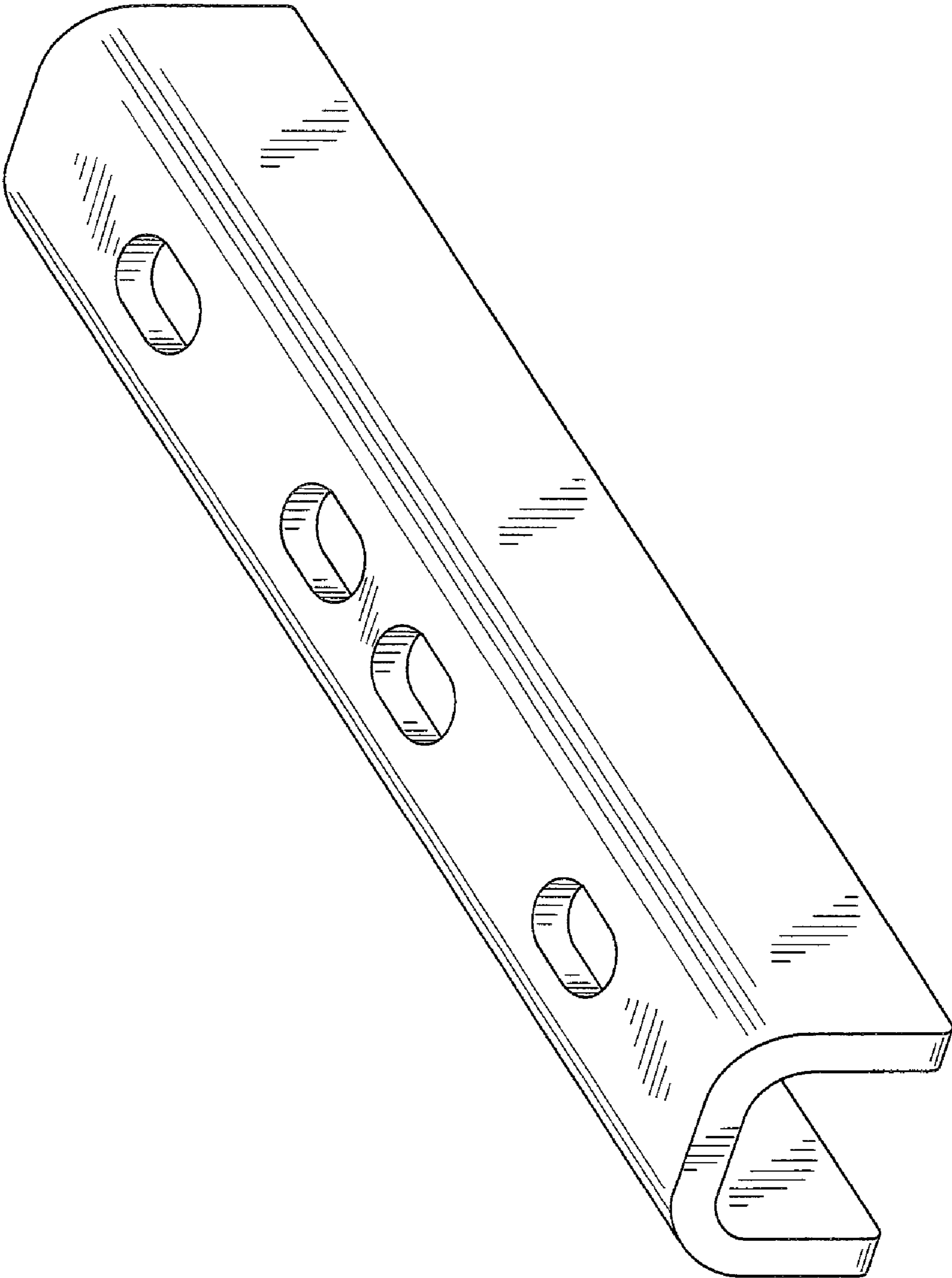


FIG. 1

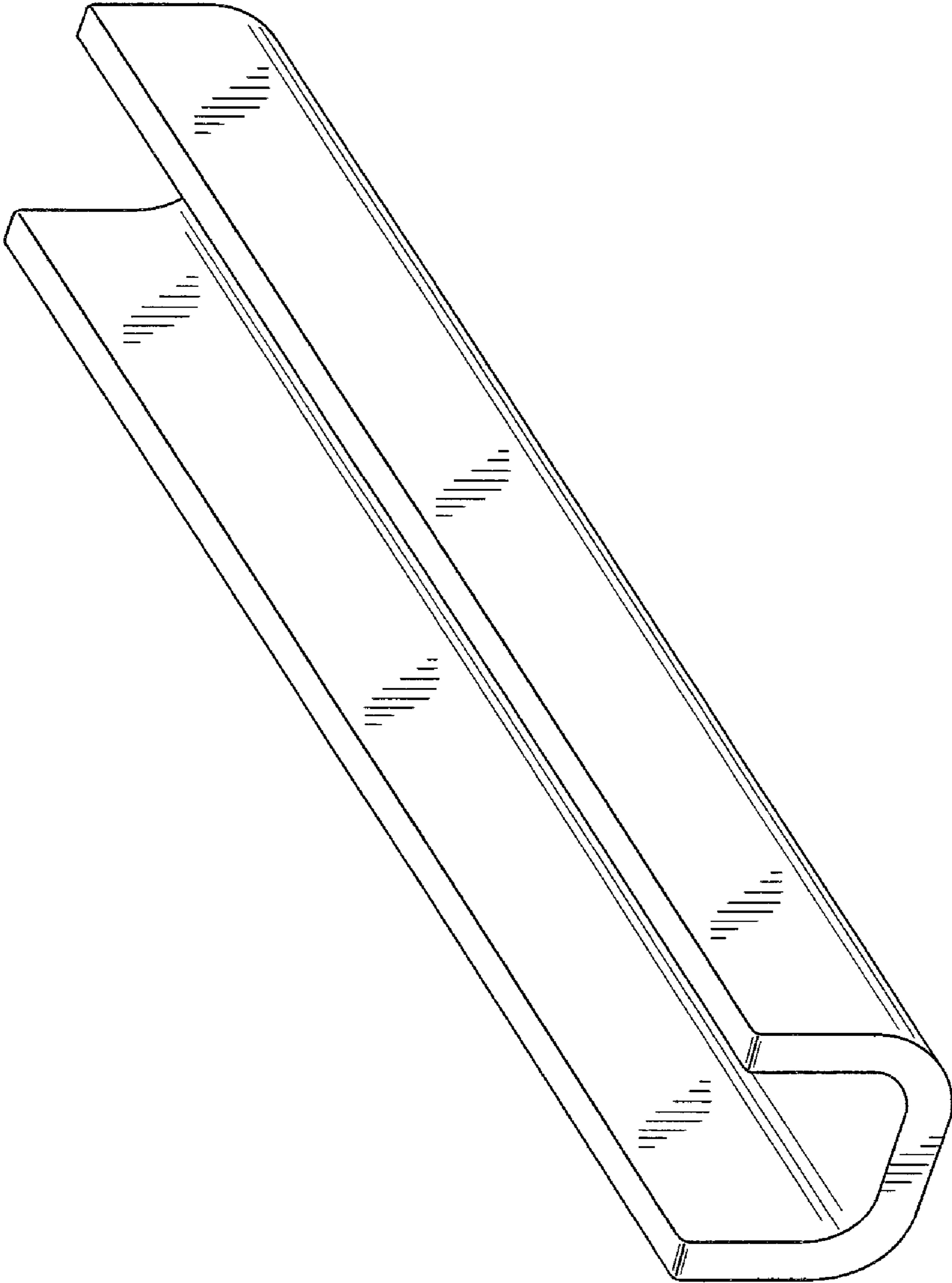


FIG. 2

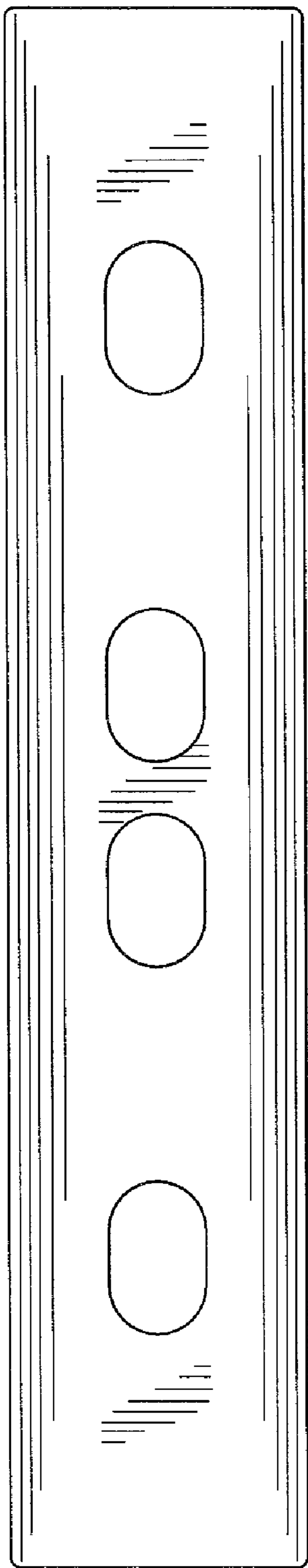


FIG. 3

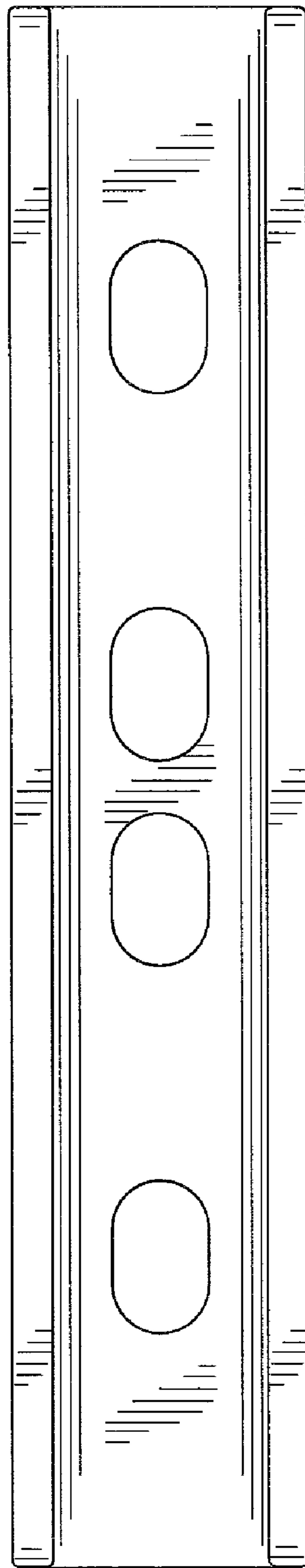


FIG. 4

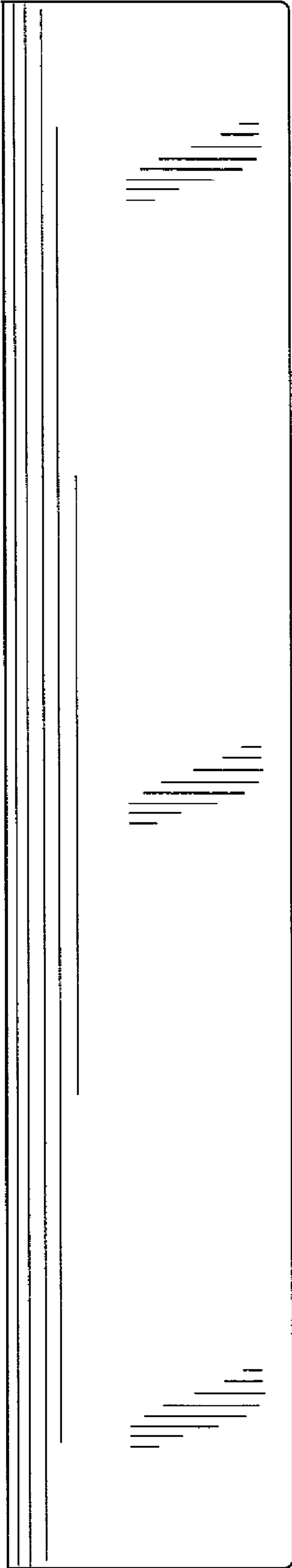


FIG. 5

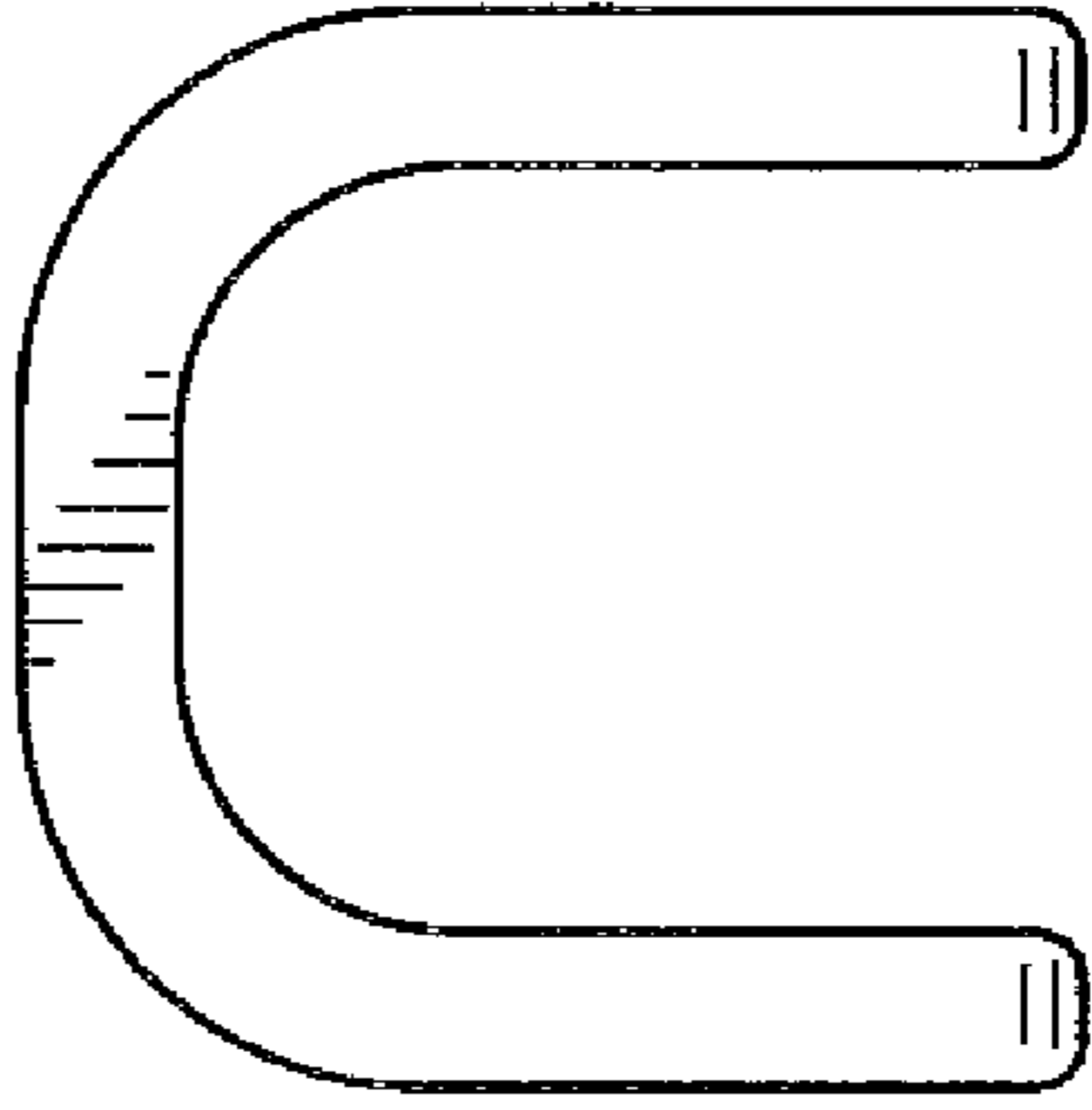


FIG. 6