



US00D637475S

(12) **United States Design Patent**
Yon

(10) **Patent No.:** **US D637,475 S**

(45) **Date of Patent:** **** May 10, 2011**

(54) **HANGER**

(75) Inventor: **Jamey Yon**, Charlotte, NC (US)

(73) Assignee: **Jamey Yon**, Charlotte, NC (US)

(**) Term: **14 Years**

(21) Appl. No.: **29/353,479**

(22) Filed: **Jan. 8, 2010**

(51) **LOC (9) Cl.** **08-05**

(52) **U.S. Cl.** **D8/370; D8/373**

(58) **Field of Classification Search** D8/367,
D8/370, 373; D24/134; 248/303-304
See application file for complete search history.

(56) **References Cited**

U.S. PATENT DOCUMENTS

D303,146 S *	8/1989	Stamm	D24/134
D335,709 S *	5/1993	Choi	D24/134
D423,336 S *	4/2000	Gray	D8/370
D528,900 S *	9/2006	Thompson	D8/370

* cited by examiner

Primary Examiner — Holly H Baynham

(74) *Attorney, Agent, or Firm* — Alston & Bird LLP

(57) **CLAIM**

The ornamental design for a hanger, as shown and described.

DESCRIPTION

FIG. 1 is a perspective view of a hanger according to my new design;

FIG. 2 is an enlarged front plan view thereof, the back being a mirror image thereof;

FIG. 3 is a left side elevation view thereof, the right side being a mirror image thereof;

FIG. 4 is a bottom elevation view thereof;

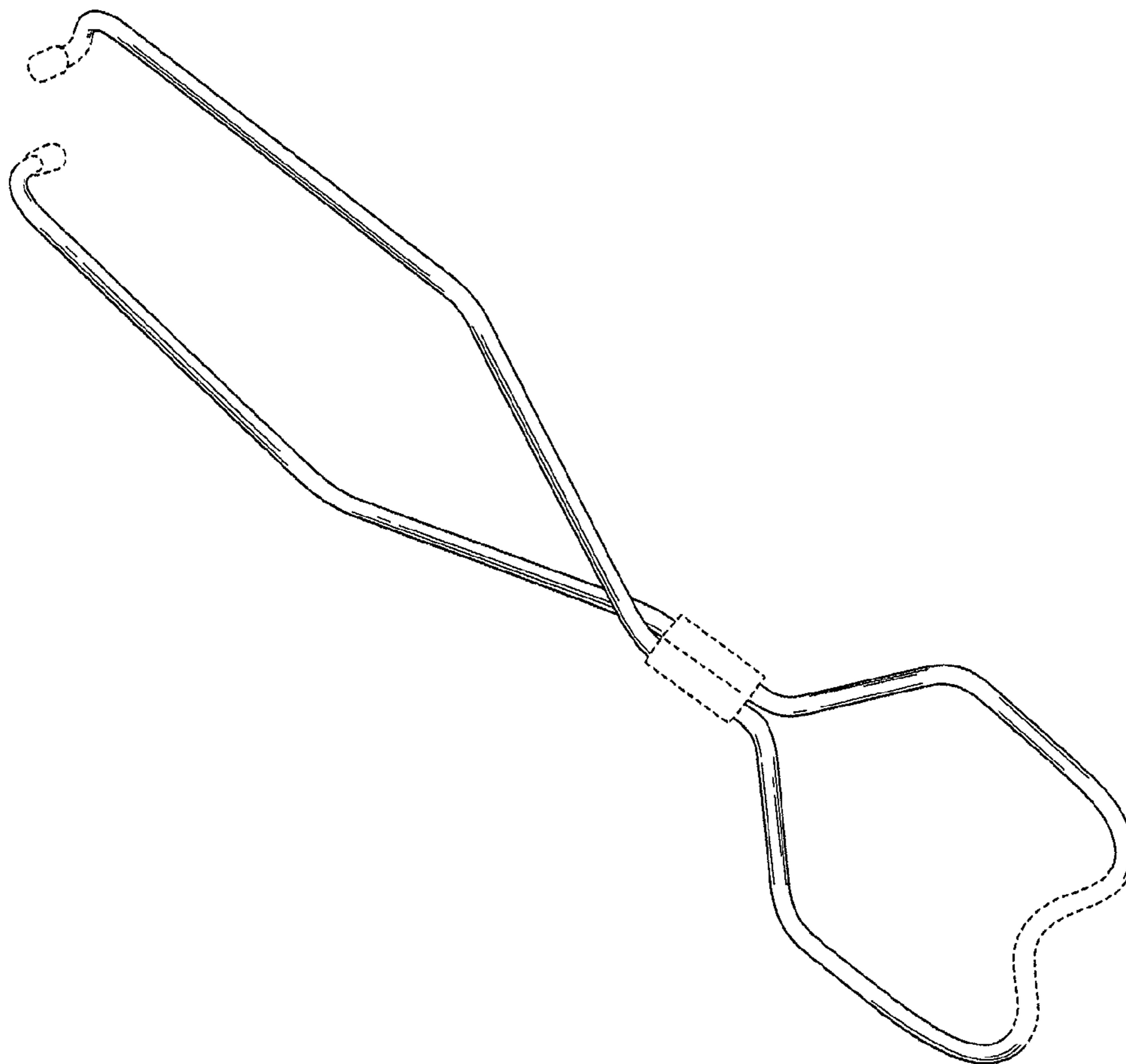
FIG. 5 is a top elevation view thereof;

FIG. 6 is a reduced scale perspective view thereof shown in the environment of a doorway; and,

FIG. 7 is a perspective view thereof shown secured around a bar.

The broken lines immediately adjacent the shaded areas represent the bounds of the claimed design while all other broken lines showing a portion of a doorway and a portion of a pole and bike seat are for the purposes of illustrating environment and form no part of the claimed design.

1 Claim, 6 Drawing Sheets



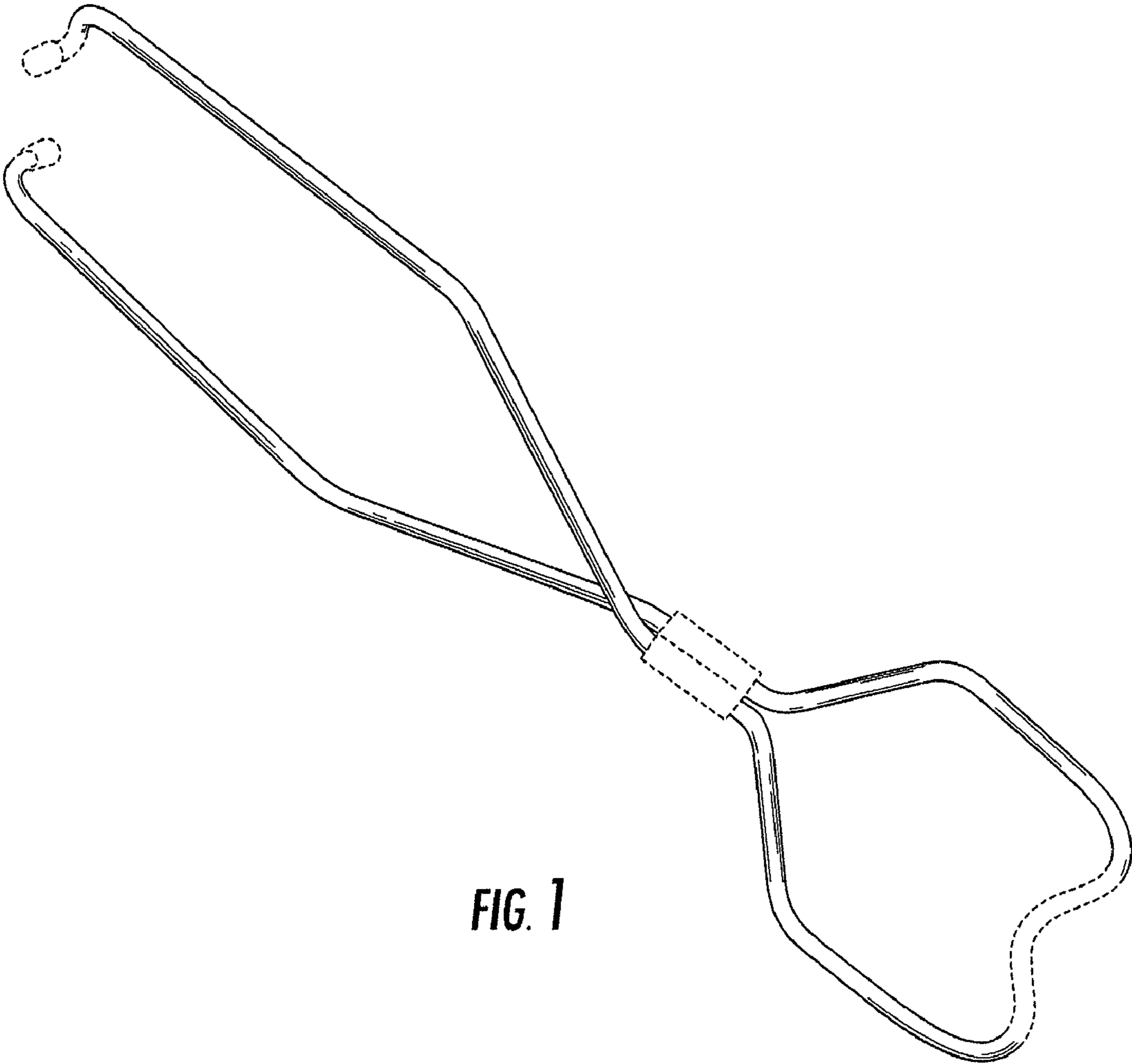


FIG. 1

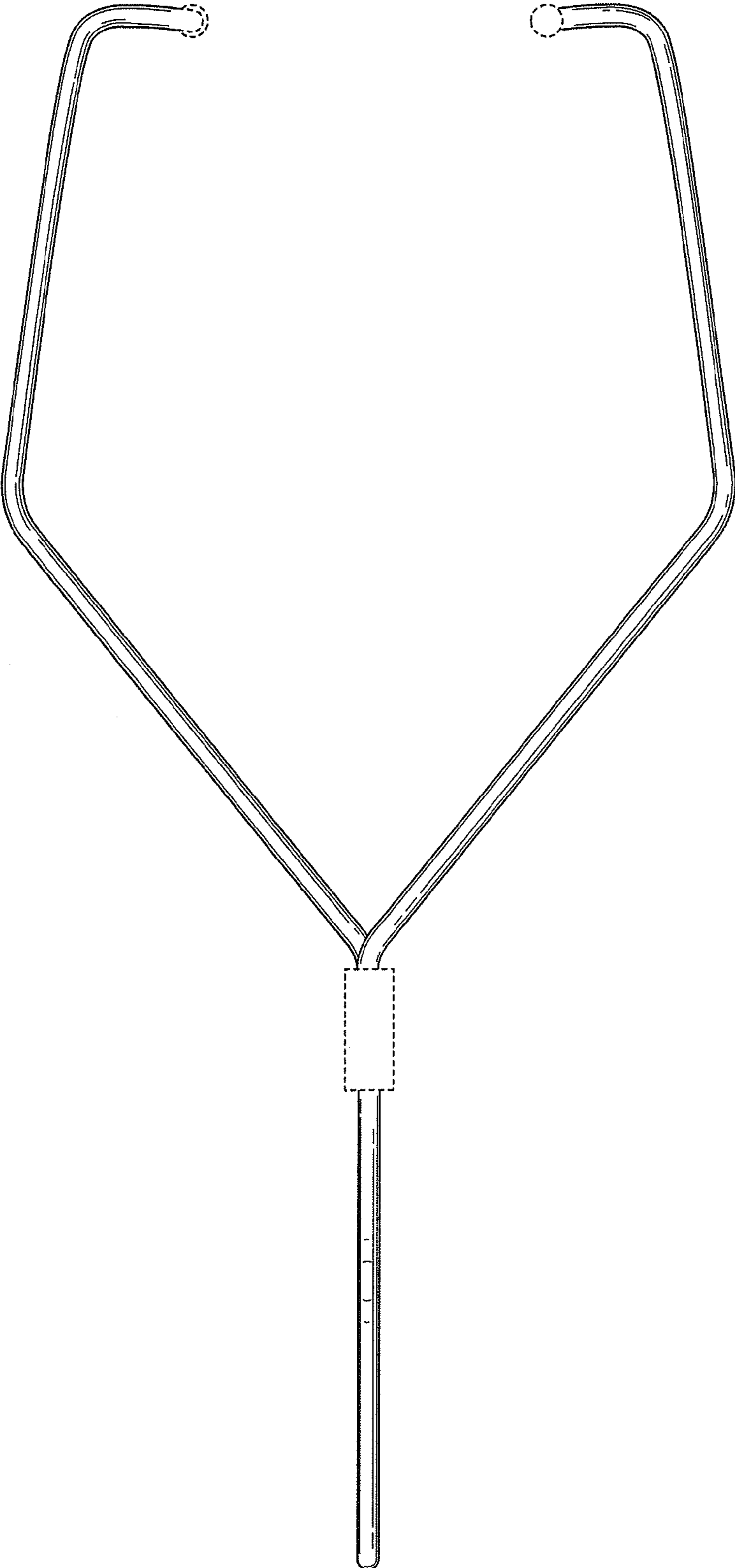


FIG. 2

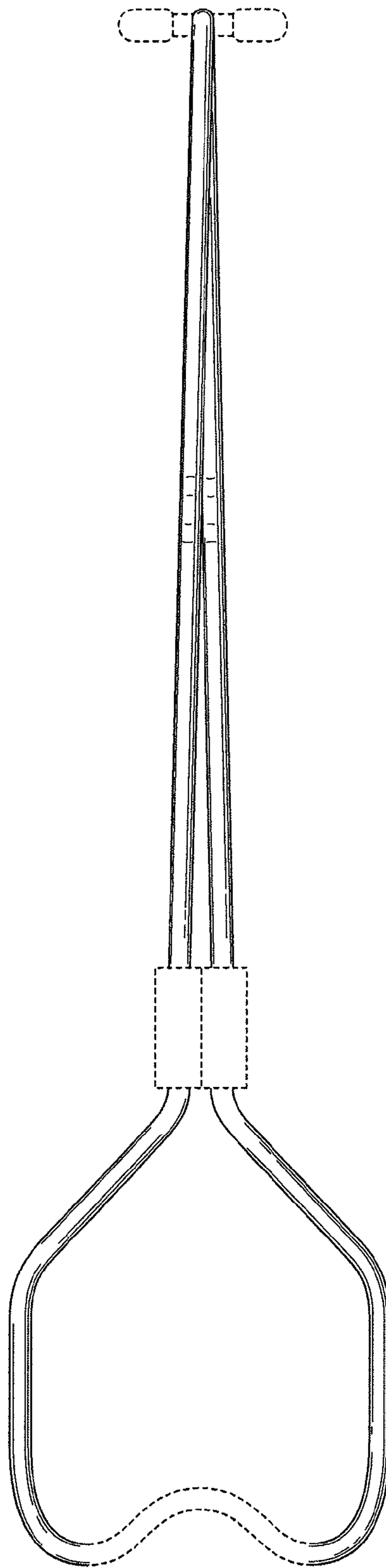


FIG. 3

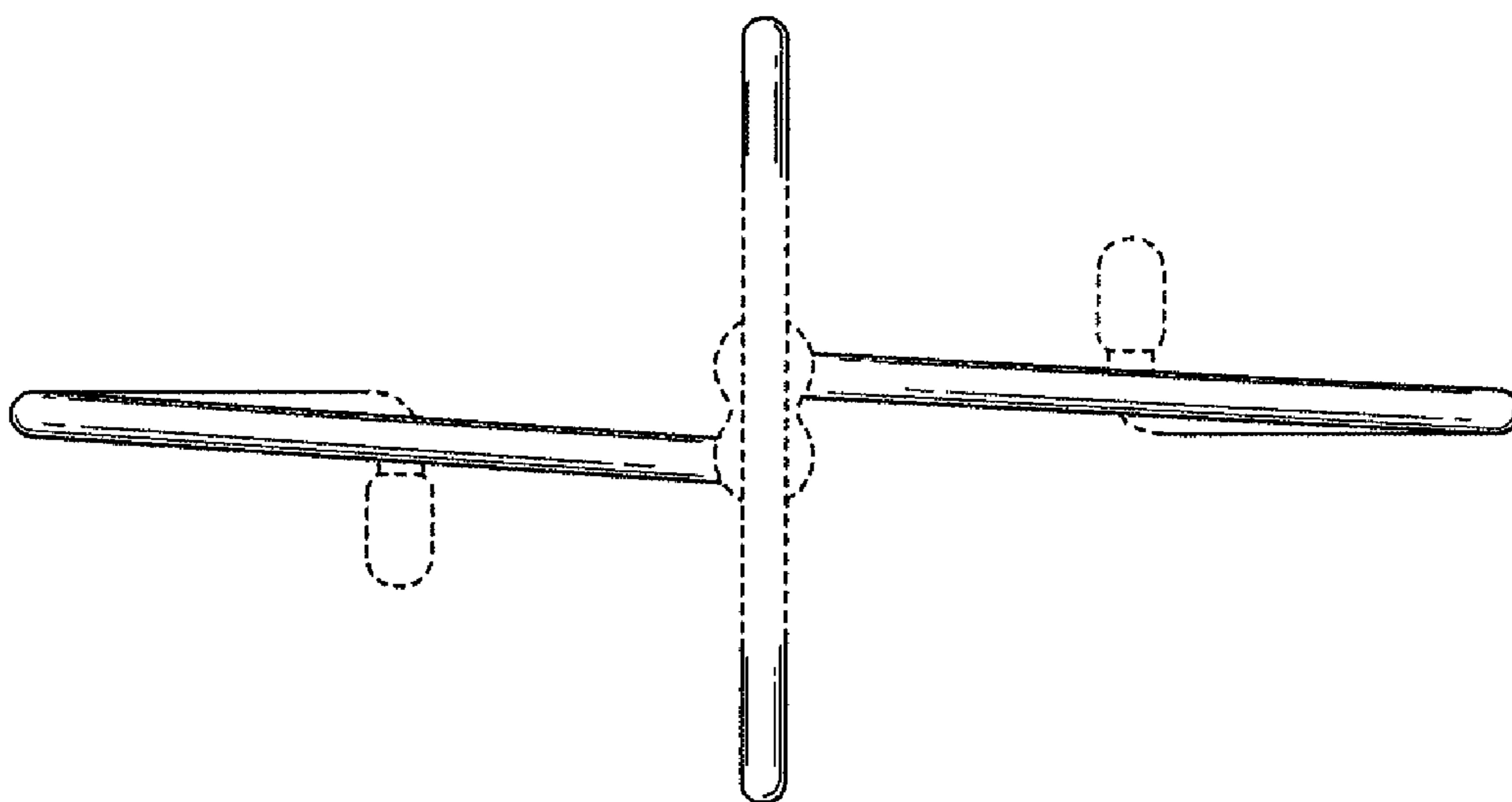


FIG. 4

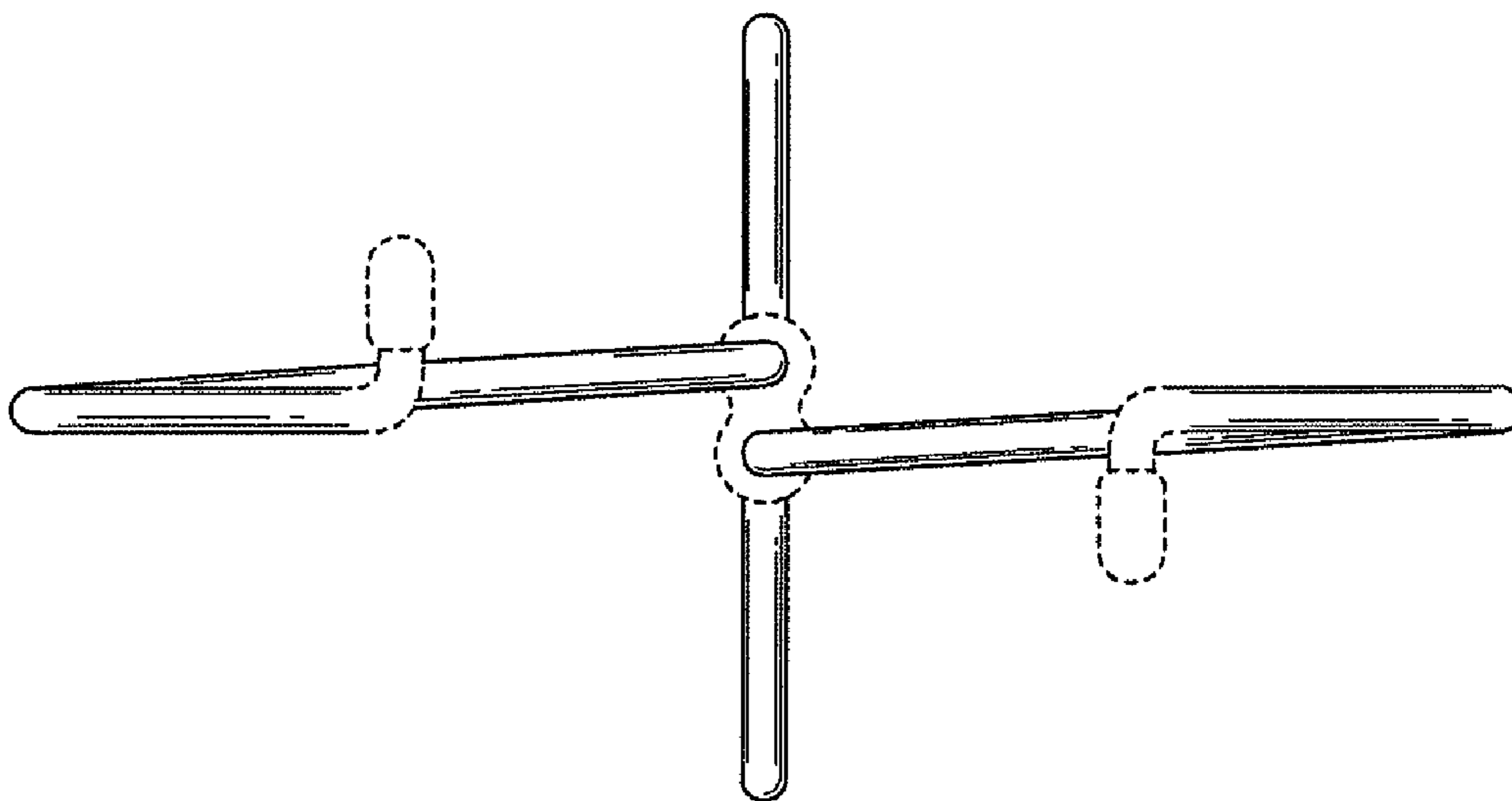


FIG. 5

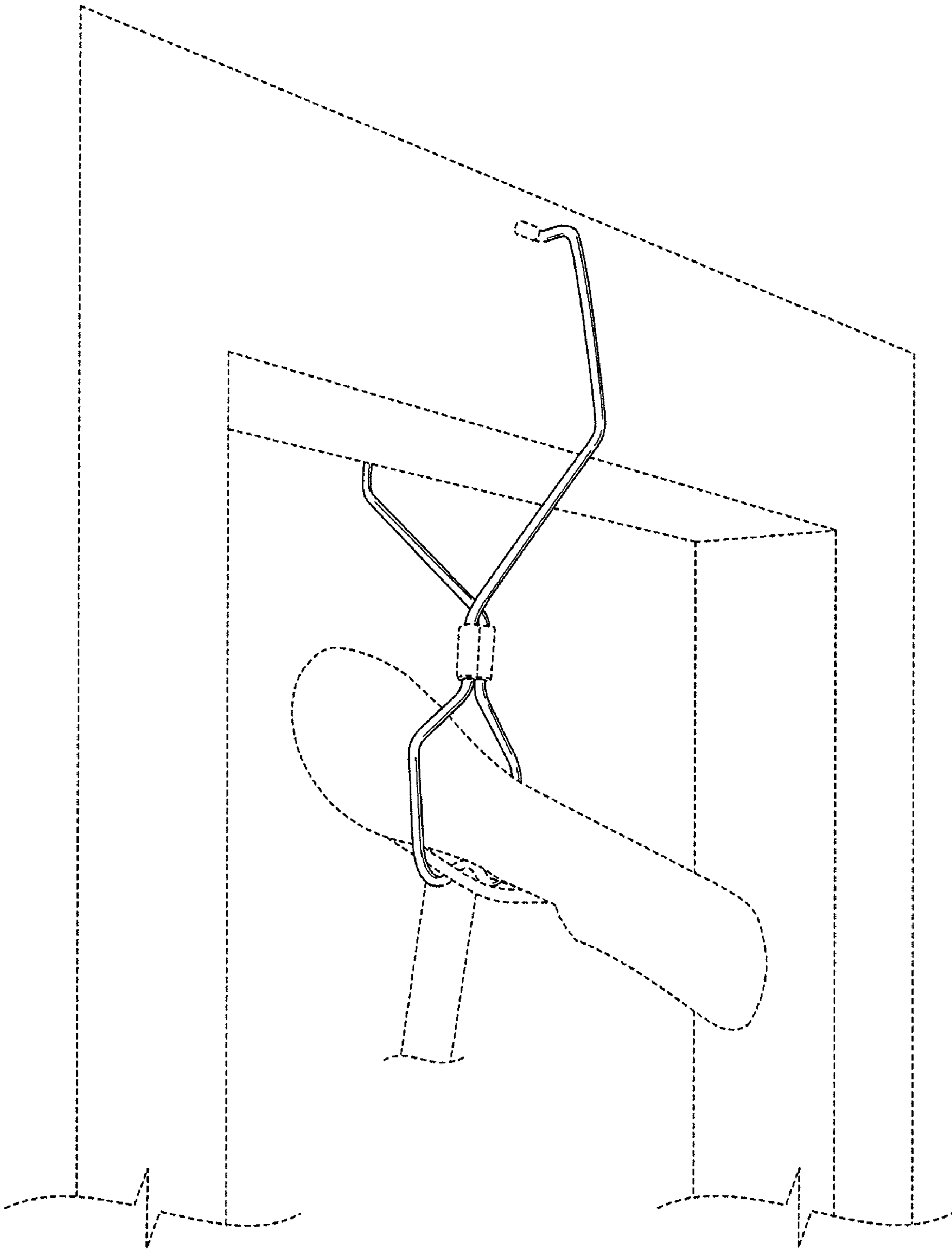


FIG. 6

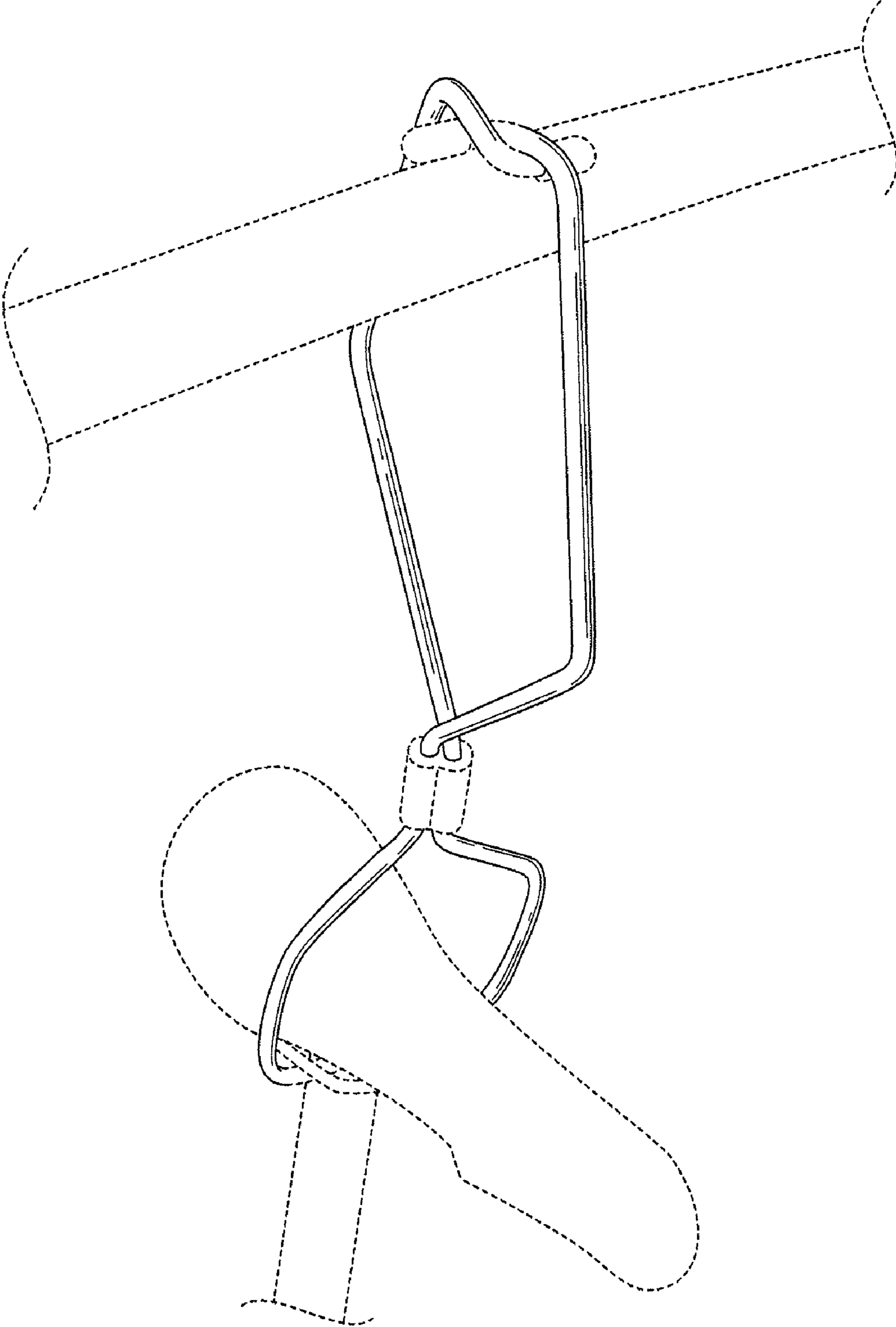


FIG. 7