



US00D637473S

(12) **United States Design Patent**  
**Mitchell**

(10) **Patent No.:** **US D637,473 S**

(45) **Date of Patent:** **\*\* May 10, 2011**

(54) **KEY CLIP**

(75) Inventor: **Gary Mitchell**, Knoxville, TN (US)

(73) Assignee: **American Accessories International LLC**, Knoxville, TN (US)

(\*\*) Term: **14 Years**

(21) Appl. No.: **29/378,899**

(22) Filed: **Nov. 11, 2010**

(51) **LOC (9) Cl.** ..... **08-07**

(52) **U.S. Cl.** ..... **D8/336; D9/343**

(58) **Field of Classification Search** ..... D8/330,  
D8/331, 332, 336, 339, 340, 343, 346, 382,  
D8/383; 70/14, 18, 20, 30, 38 R, 39, 38 A,  
70/51, 57, 57.1, 431, 465, 233, 49, 31, 345,  
70/346; 292/307 A, 318-322

See application file for complete search history.

(56) **References Cited**

**U.S. PATENT DOCUMENTS**

3,841,118	A *	10/1974	Stone	70/33
D258,489	S *	3/1981	Gipson	D8/333
D258,715	S *	3/1981	Gipson	D8/333
4,502,305	A *	3/1985	Bakker	70/49

D341,072	S *	11/1993	Bryant	D8/336
D389,442	S *	1/1998	Kantor	D12/162
5,782,513	A *	7/1998	Nazzari	292/319
6,227,016	B1 *	5/2001	Yu	70/30
6,283,517	B1 *	9/2001	Nazzari	292/321
D540,149	S *	4/2007	Tollefson	D8/330
D597,397	S *	8/2009	Nazzari	D8/330

\* cited by examiner

*Primary Examiner* — Prabhakar Deshmukh

(74) *Attorney, Agent, or Firm* — Ryan A. Schneider, Esq.;  
Troutman Sanders LLP

(57) **CLAIM**

The ornamental design for a key clip, as shown and described.

**DESCRIPTION**

FIG. 1 is an perspective view of the front and a first side of the key clip;

FIG. 2 is an perspective view of the rear and the second side of the key clip;

FIG. 3 is a front elevation view of the key clip;

FIG. 4 is a first side elevation view of the key clip;

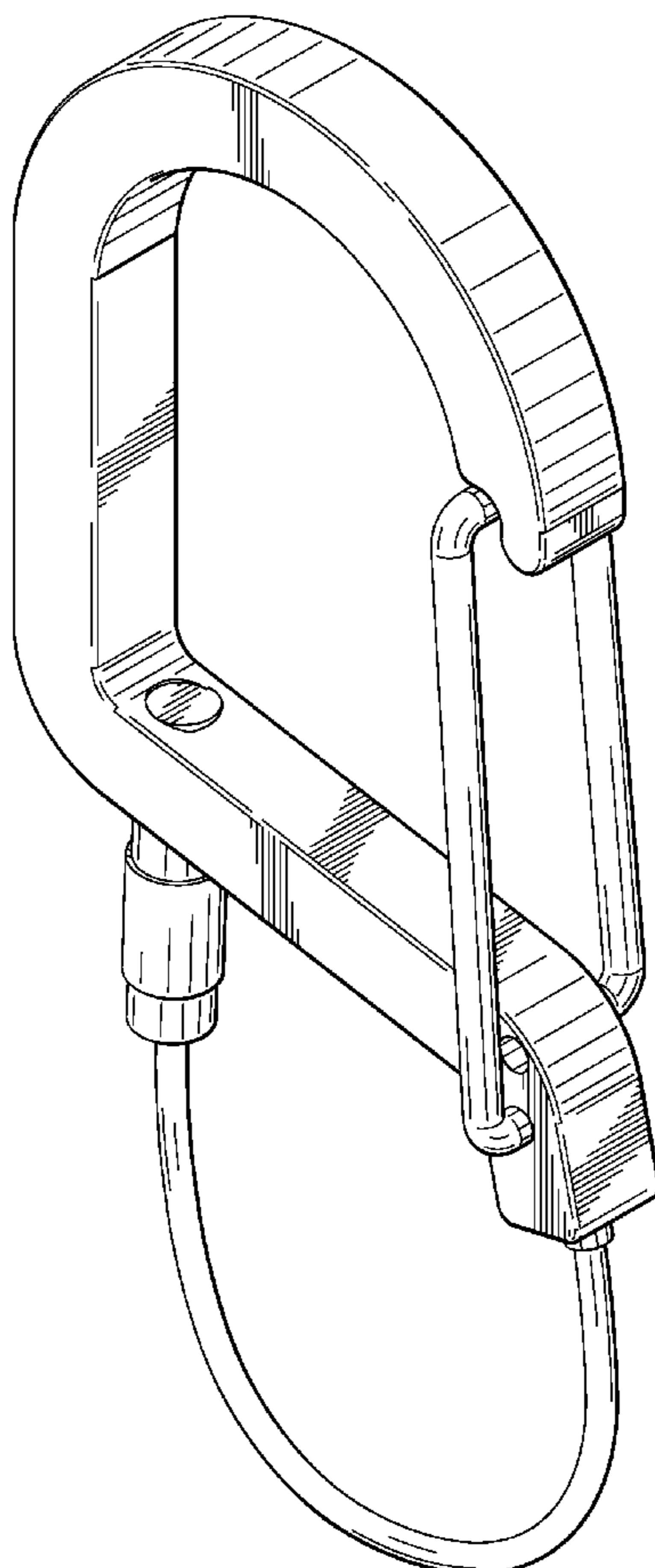
FIG. 5 is the second side elevation view of the key clip;

FIG. 6 is a top elevation view of the key clip;

FIG. 7 is a bottom elevation view of the key clip; and,

FIG. 8 is a front elevation view of the key clip of FIG. 3, wherein the cable is unscrewed.

**1 Claim, 6 Drawing Sheets**



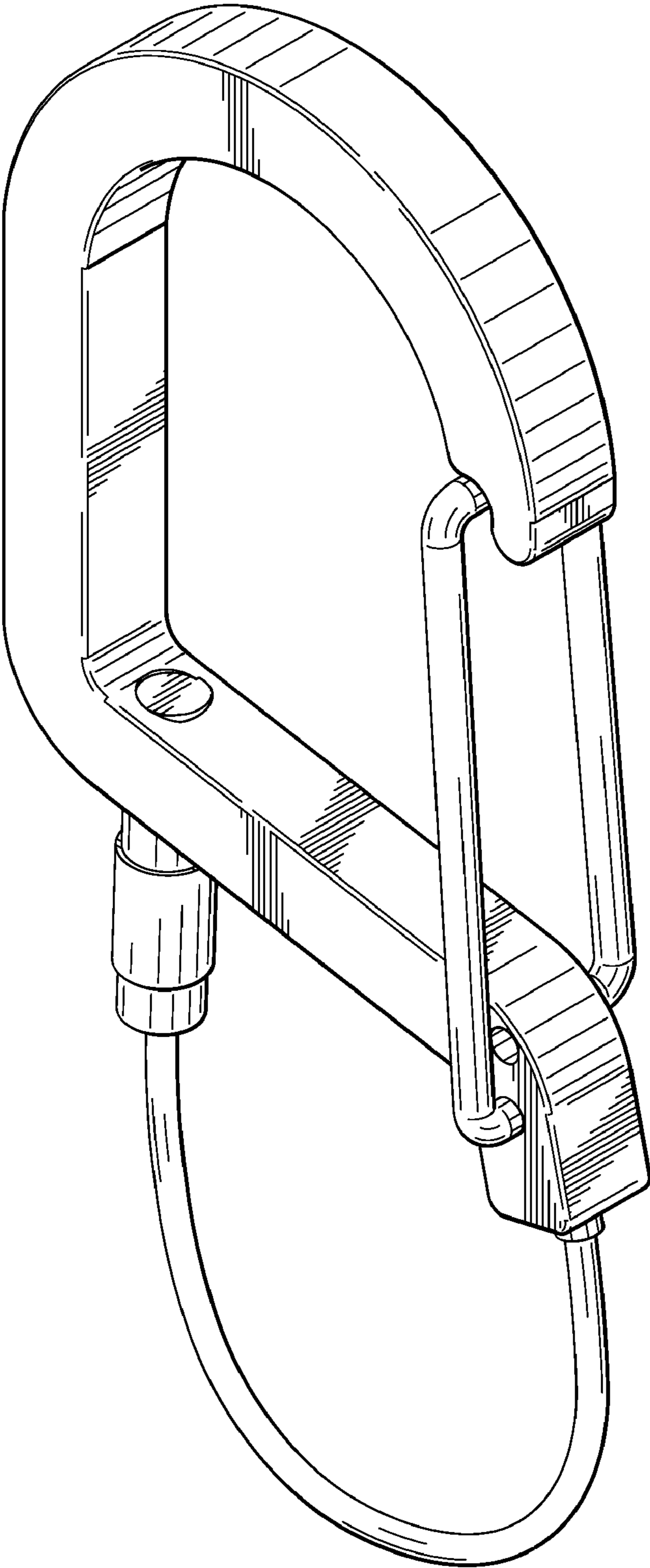


FIG. 1

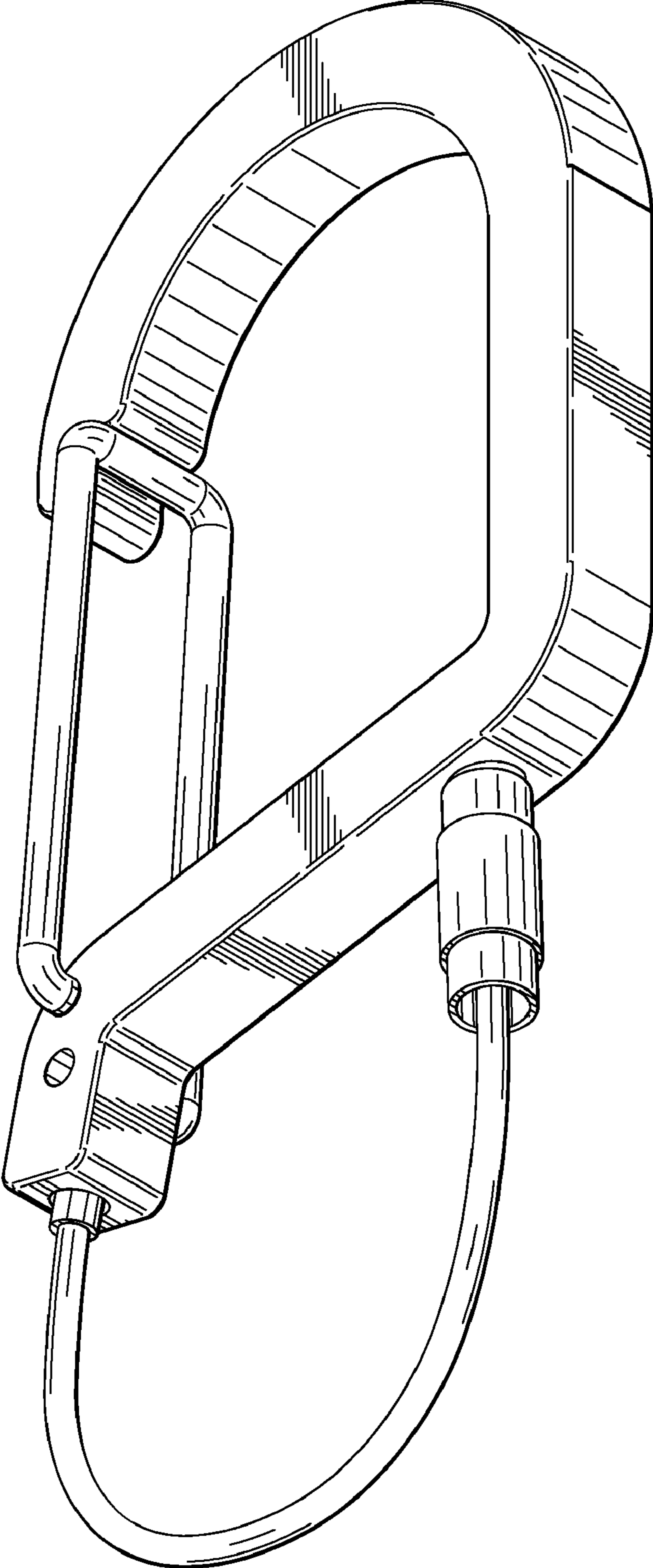


FIG. 2

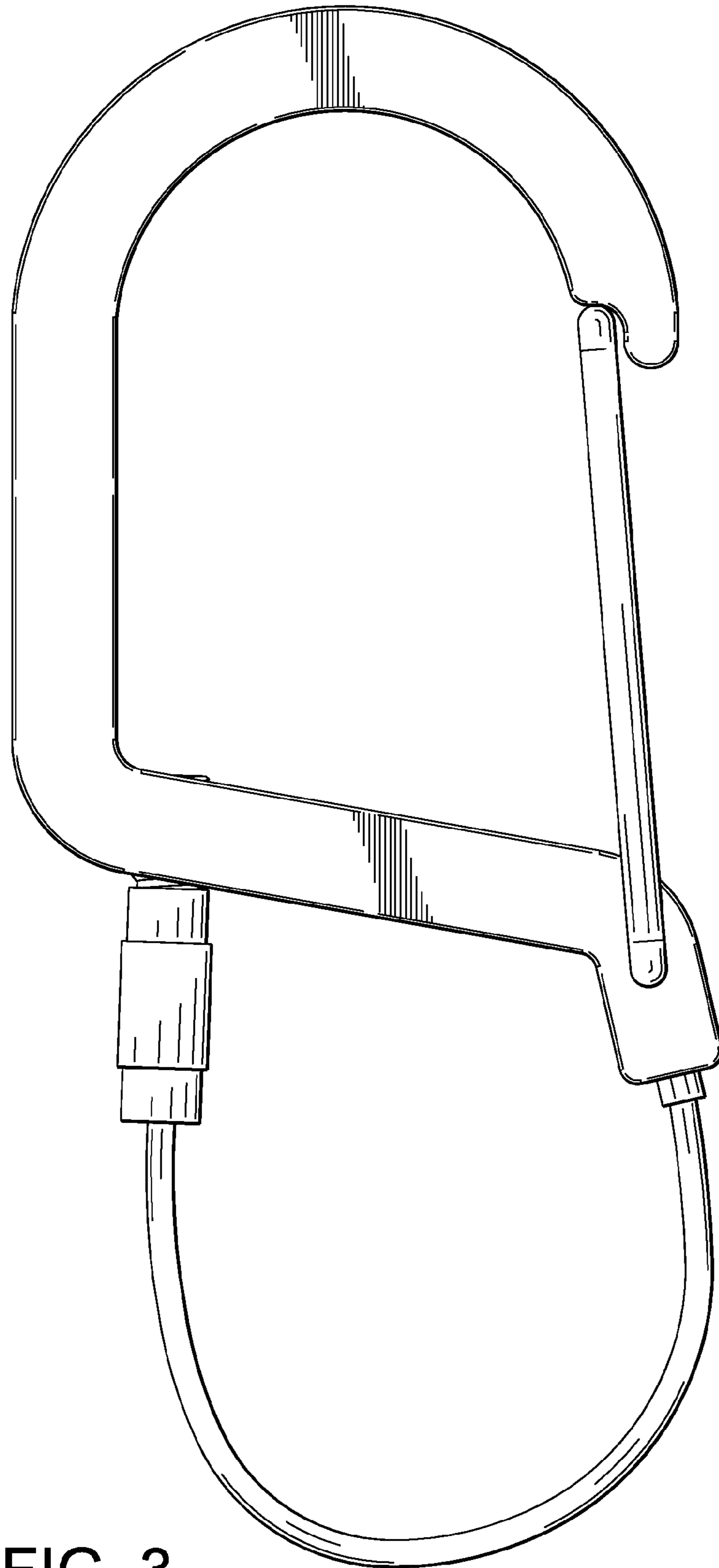


FIG. 3



FIG. 4



FIG. 5

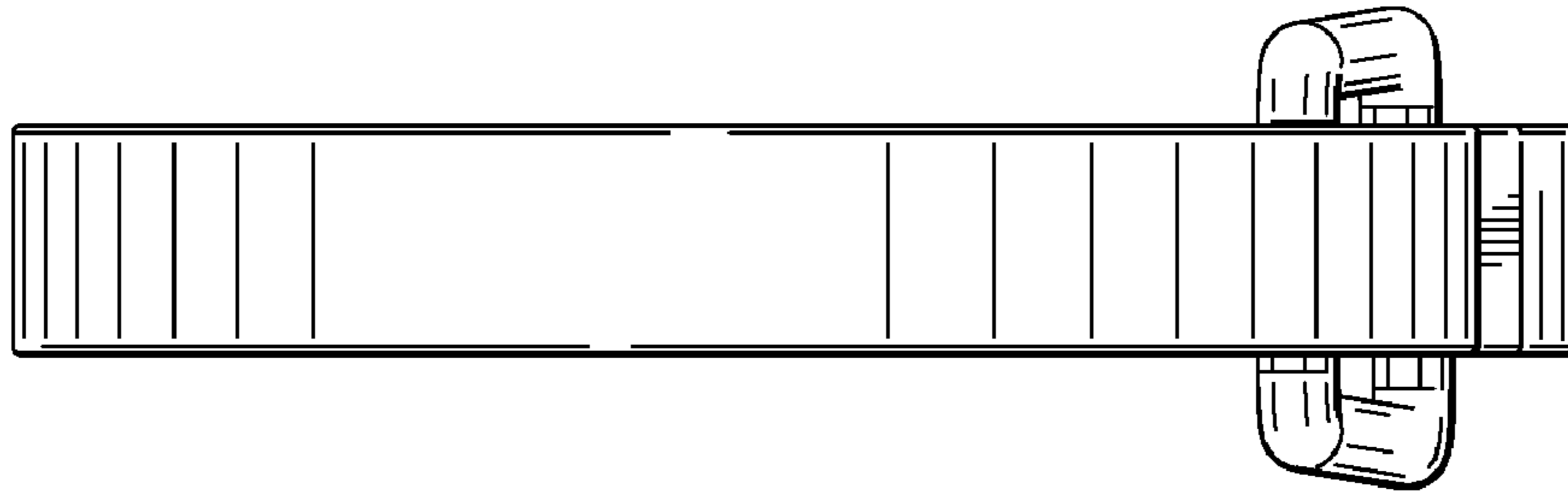


FIG. 6

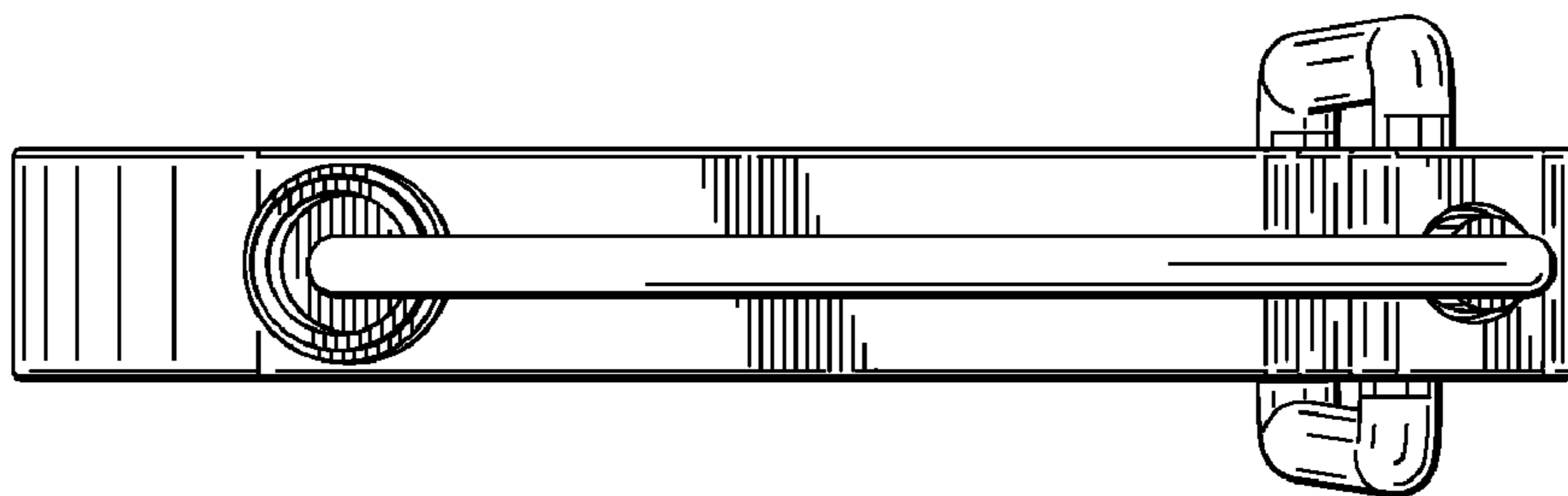


FIG. 7

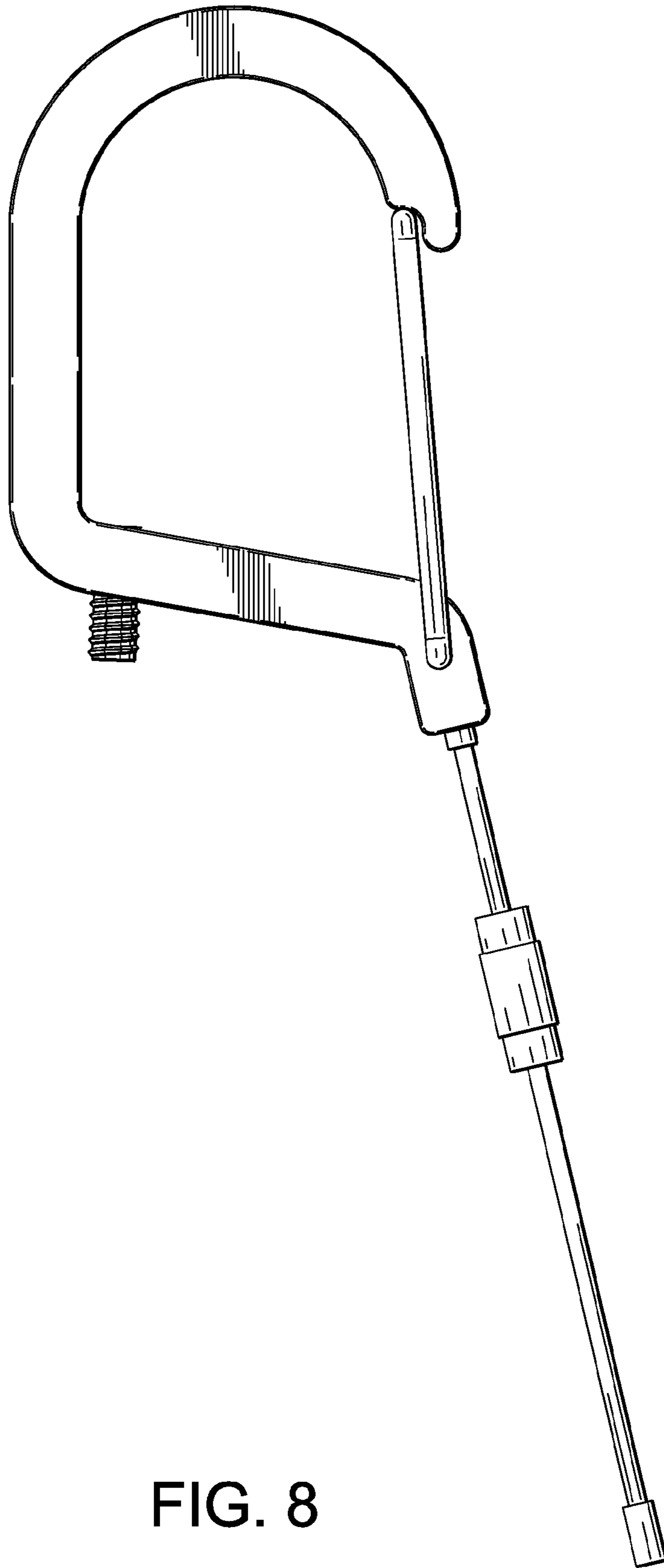


FIG. 8