



US00D637471S

(12) **United States Design Patent**
Roy

(10) **Patent No.:** **US D637,471 S**

(45) **Date of Patent:** **** May 10, 2011**

(54) **POWER CORD LOCK BOX**

(76) Inventor: **Dean T. Roy**, Alexandria, NH (US)

(**) Term: **14 Years**

(21) Appl. No.: **29/360,333**

(22) Filed: **Apr. 23, 2010**

(51) **LOC (9) Cl.** **08-07**

(52) **U.S. Cl.** **D8/330; D8/346**

(58) **Field of Classification Search** D8/330,
D8/331, 343, 346, 374, 499; 70/14, 57, 57.1,
70/58, 63, 69, 78, 80, 158, 159, 271, 431,
70/443, 434

See application file for complete search history.

(56) **References Cited**

U.S. PATENT DOCUMENTS

2,955,272	A	3/1959	Gallardo	
4,488,764	A	12/1984	Pfenning et al.	
4,603,931	A	8/1986	Ruffman	
4,782,971	A	11/1988	Hill	
5,222,776	A *	6/1993	Georgopoulos et al. 292/323
D338,446	S	8/1993	Werner	
5,277,599	A	1/1994	Nilson	
D344,443	S	2/1994	Ashby	
5,338,212	A	8/1994	Kerrigan	
5,431,572	A	7/1995	Surrey et al.	
5,488,208	A	1/1996	Seewald	
5,538,360	A *	7/1996	Obermeyer 405/115
5,647,620	A *	7/1997	Kuenzel 292/317
6,011,328	A	1/2000	Smith	
6,131,969	A *	10/2000	Natkins 292/323
6,159,025	A	12/2000	Derman	
6,367,293	B1	4/2002	Elliott	
6,508,654	B1	1/2003	Tatz	
6,652,307	B2	11/2003	Tatz	
D492,573	S *	7/2004	Karamanos et al. D8/330

D499,633	S *	12/2004	Steinberger, Jr. D8/330
6,881,910	B2	4/2005	Fox	
D521,848	S *	5/2006	Anderson D8/330
D527,612	S	9/2006	Johnson	
7,121,853	B1	10/2006	Gast	
D540,149	S *	4/2007	Tollefson D8/330
7,399,201	B1	7/2008	Khorsand	
D578,861	S *	10/2008	Littrell et al. D8/330
2004/0074365	A1 *	4/2004	Nilsen et al. 83/745
2006/0065422	A1	3/2006	Broyles	
2006/0137410	A1 *	6/2006	Choi et al. 70/57.1

OTHER PUBLICATIONS

http://www.familysafemedia.com/powerstop_power_plug_lock.html (3 pages).

* cited by examiner

Primary Examiner — Prabhakar Deshmukh

(74) *Attorney, Agent, or Firm* — Bourque & Associates, P.A.

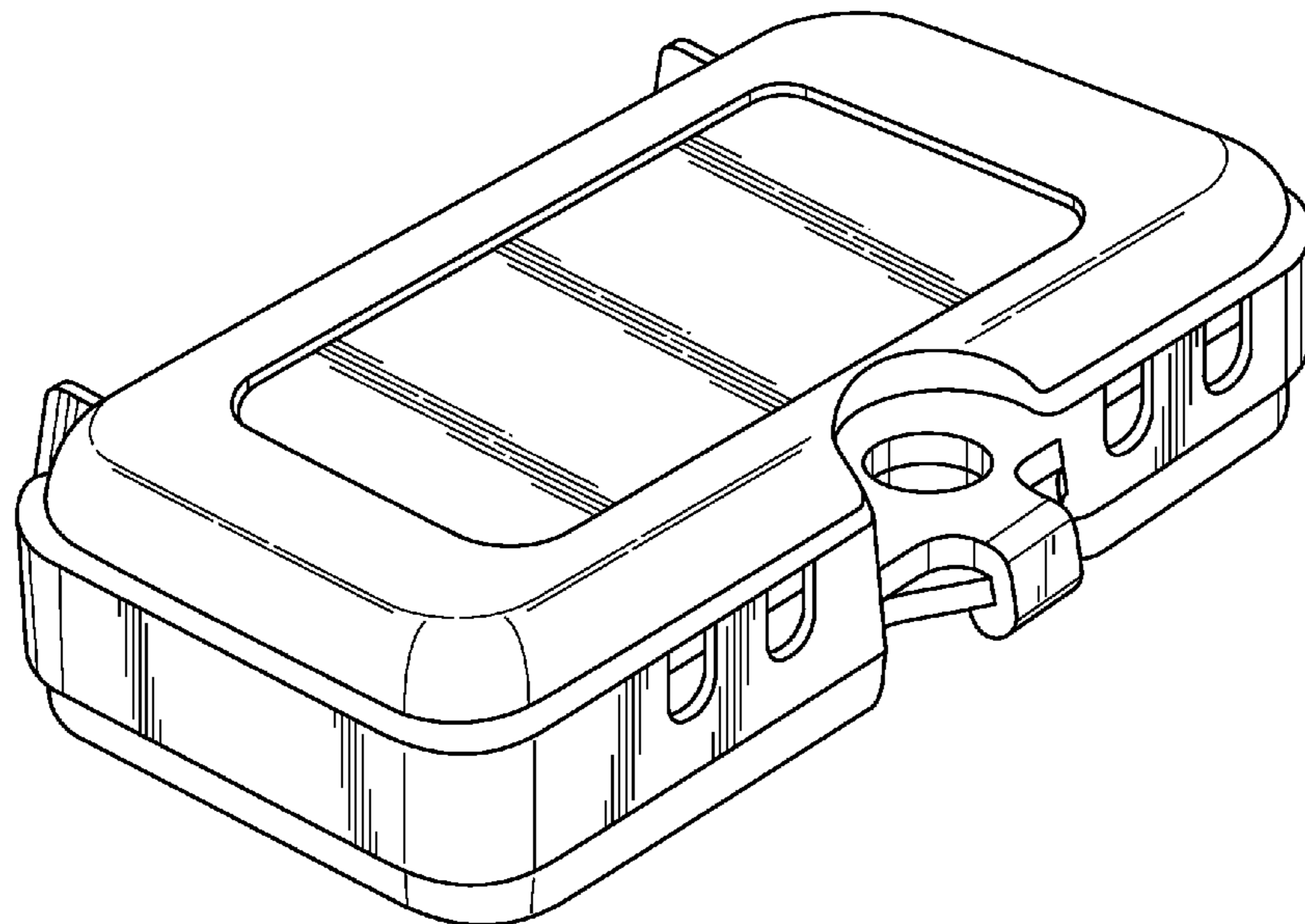
(57) **CLAIM**

The ornamental design for a power cord lock box, as shown and described.

DESCRIPTION

FIG. 1 is a front perspective view of a power cord lock box showing my new design; FIG. 2 is a rear perspective view thereof; FIG. 3 is a front elevational view thereof; FIG. 4 is a rear elevational view thereof; FIG. 5 is a right side elevational view thereof, the left side elevational view being a mirror image thereof; FIG. 6 is a top plan view thereof; and, FIG. 7 is a bottom plan view thereof. The broken lines are for illustrative purpose only and form no part of the claimed design.

1 Claim, 7 Drawing Sheets



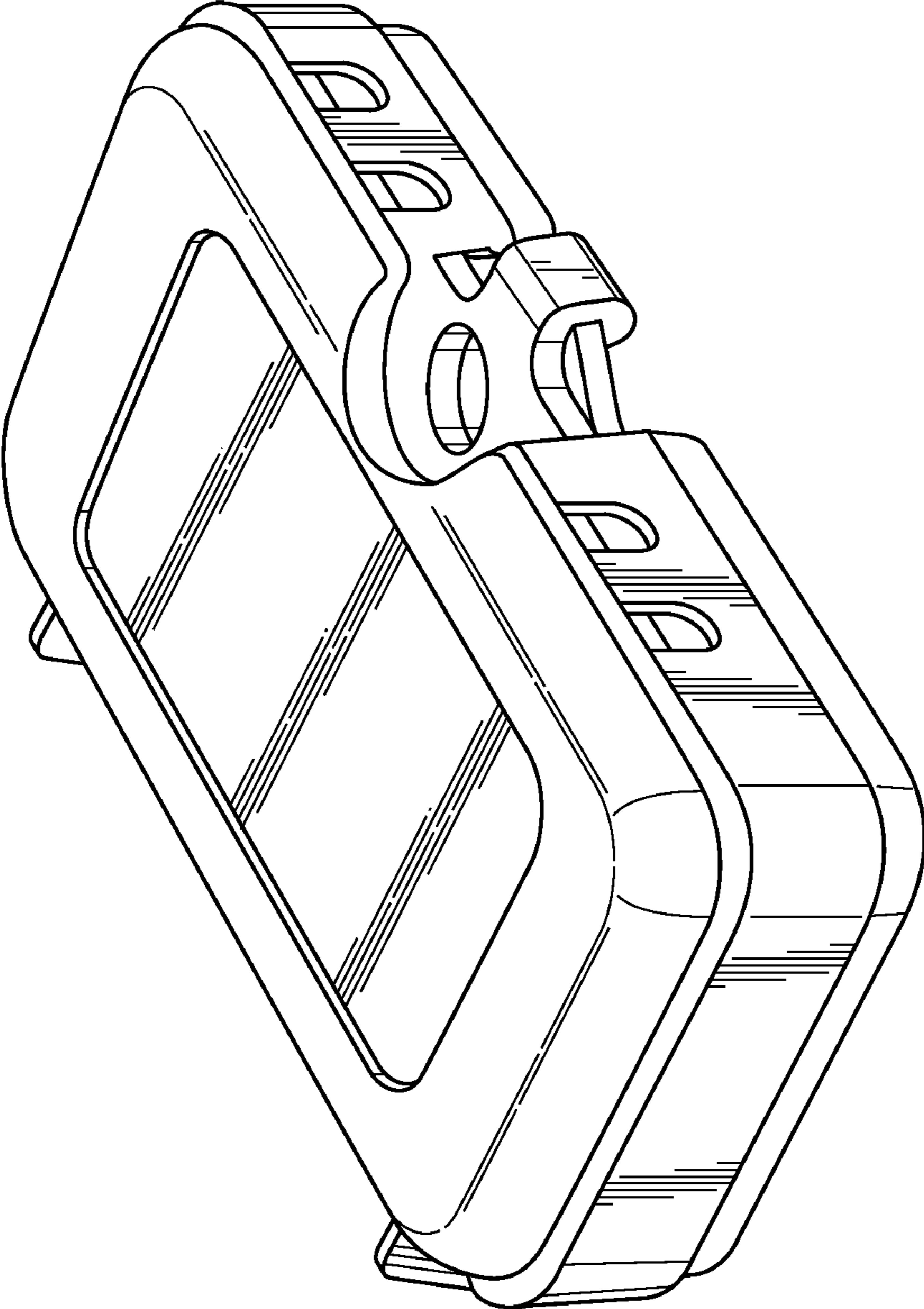


FIG. 1

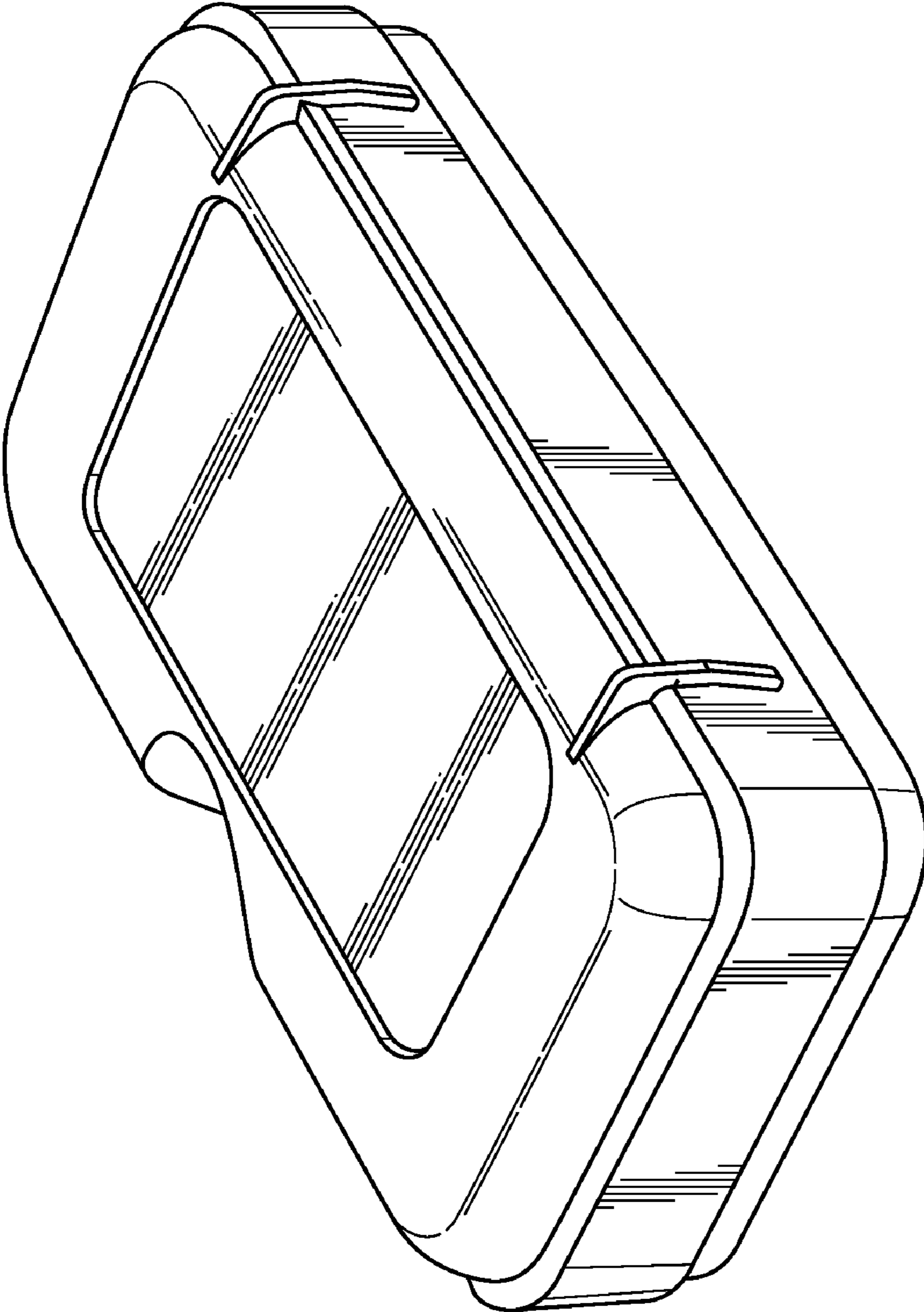


FIG. 2

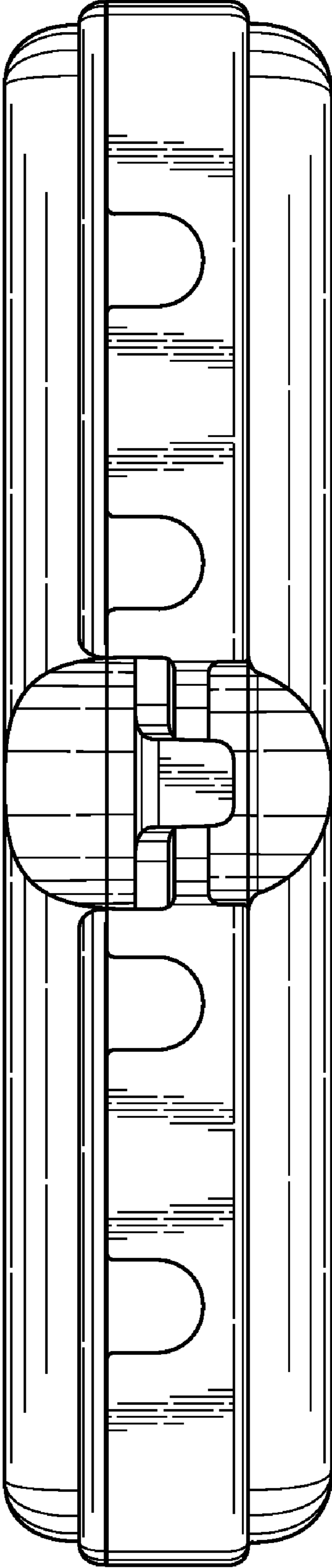


FIG. 3

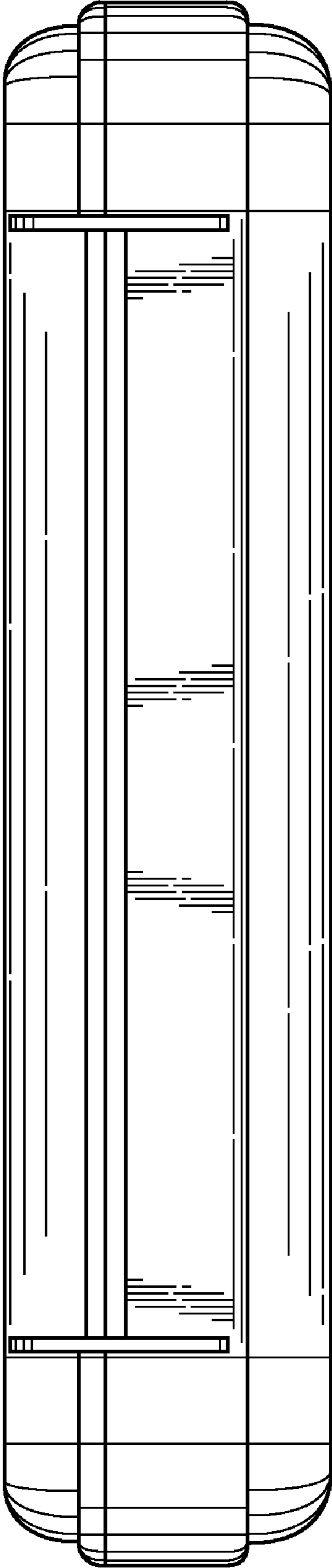


FIG. 4

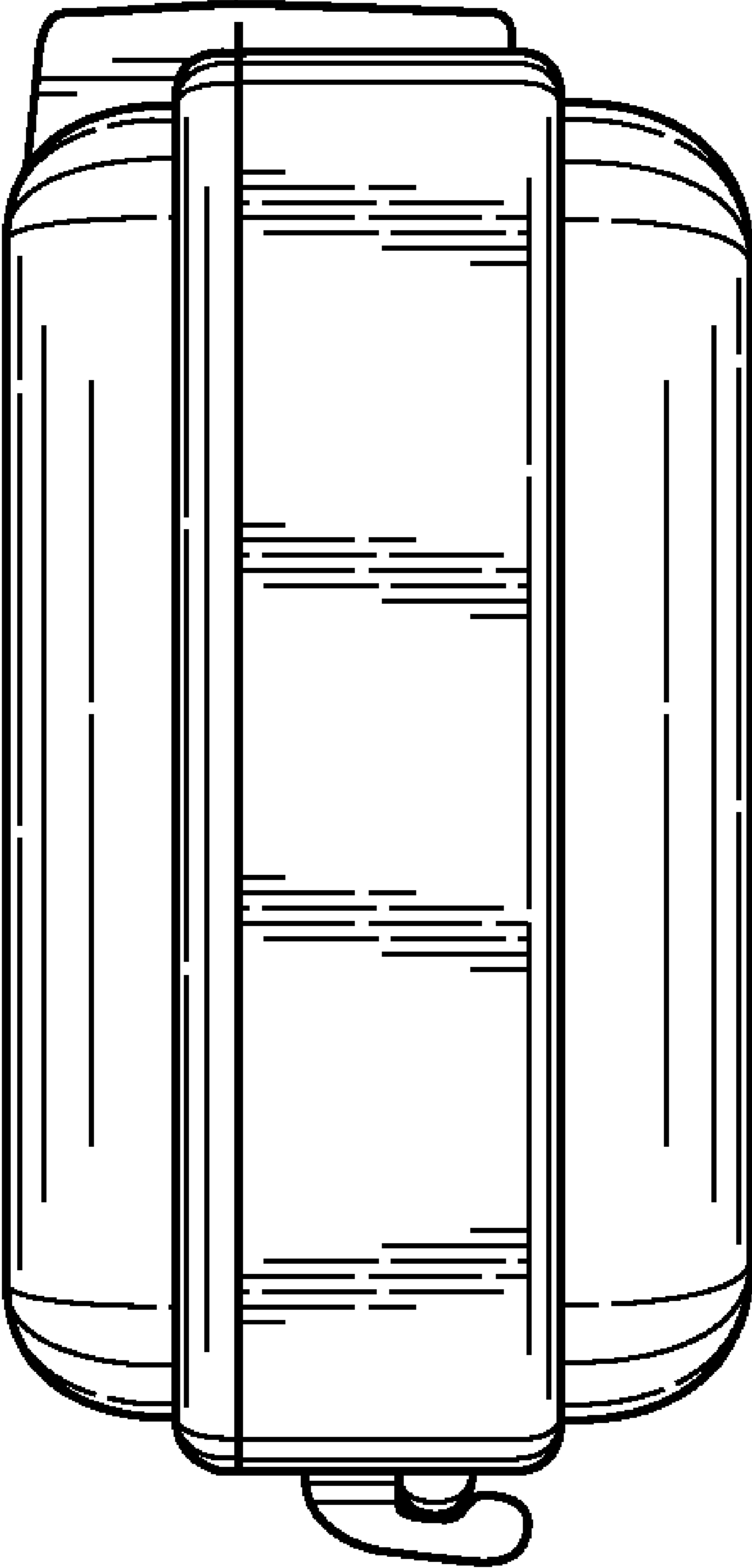


FIG. 5

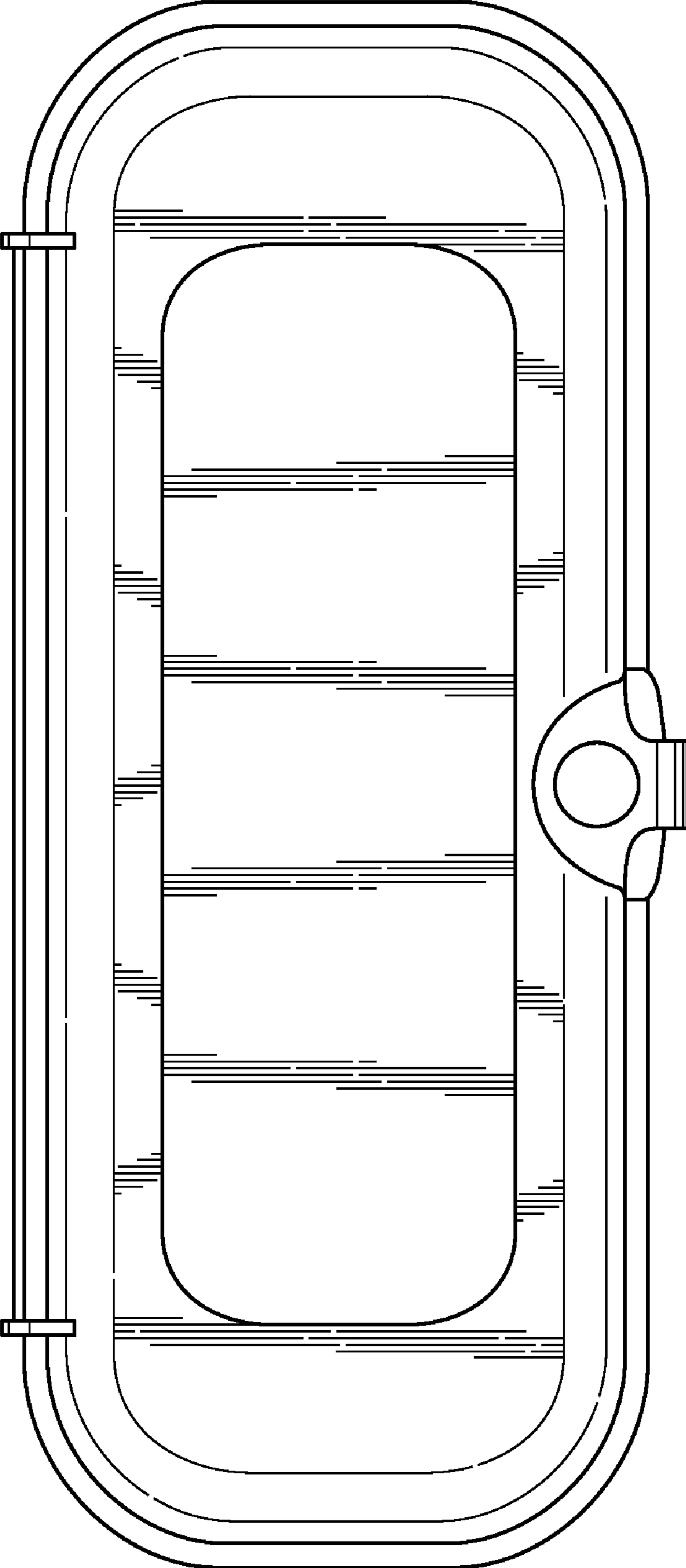


FIG. 6

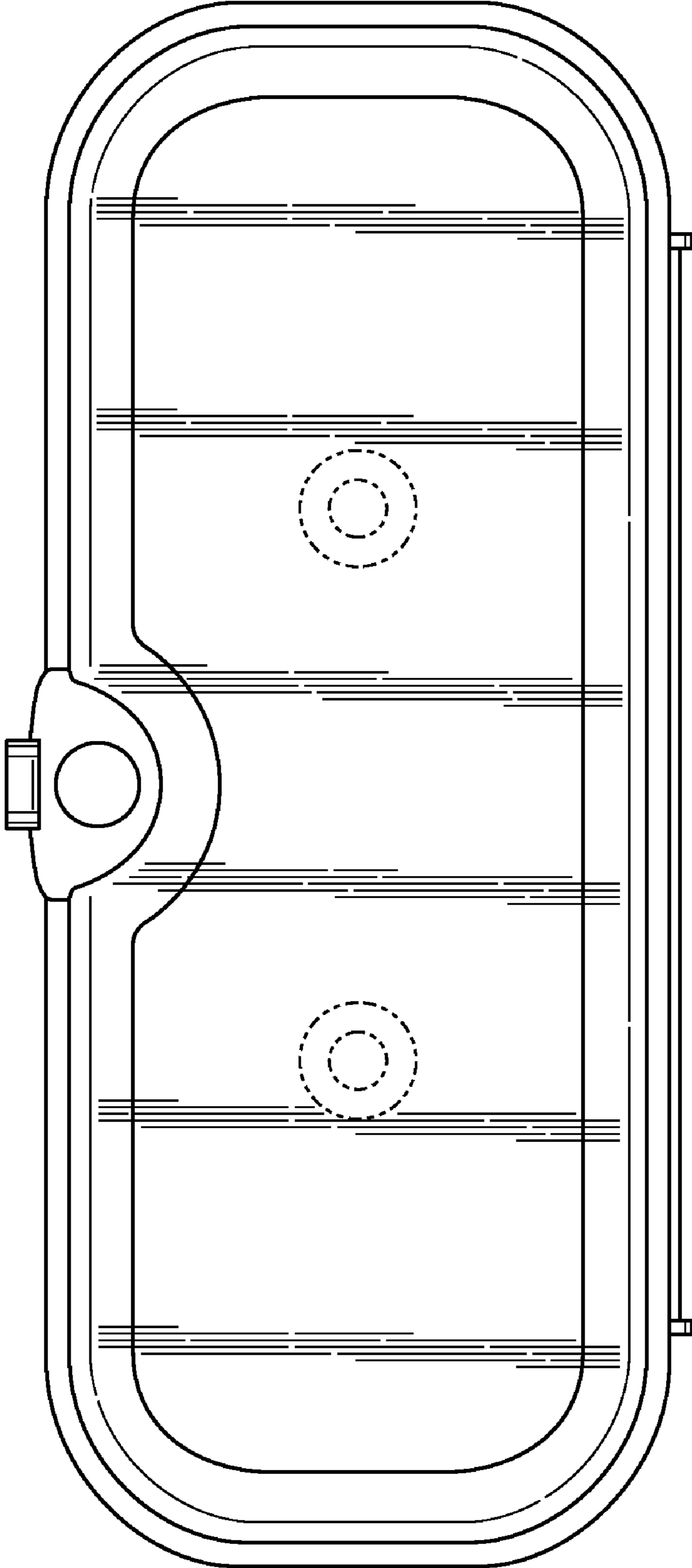


FIG. 7