



US00D637464S

(12) **United States Design Patent**
Chenelia

(10) **Patent No.:** **US D637,464 S**

(45) **Date of Patent:** **** May 10, 2011**

(54) **WATCHBAND BOTTLE OPENER**

(76) Inventor: **Dominic A. Chenelia**, San Diego, CA
(US)

(**) Term: **14 Years**

(21) Appl. No.: **29/355,174**

(22) Filed: **Feb. 3, 2010**

(51) **LOC (9) Cl.** **07-99**

(52) **U.S. Cl.** **D8/34; D11/235**

(58) **Field of Classification Search** D8/14,
D8/16-19, 33-43, 88, 89, 105, 107; D11/94,
D11/218, 231, 234-237; 7/113, 151-156;
30/400-410, 416-430, 433, 434, 443, 450;
81/3.07, 3.09, 3.2, 3.27, 3.29, 3.31, 3.35,
81/3.37, 3.4, 3.45, 3.48, 3.49, 3.55

See application file for complete search history.

(56) **References Cited**

U.S. PATENT DOCUMENTS

| | | | | | |
|-----------|-----|---------|----------------|-------|---------|
| 877,035 | A * | 1/1908 | Barabasz, M. | | D11/231 |
| D45,760 | S * | 5/1914 | Miller | | D11/231 |
| 1,264,109 | A * | 4/1918 | Maguire | | D11/231 |
| D247,263 | S * | 2/1978 | VAN Benthem | | D8/34 |
| D302,234 | S * | 7/1989 | McNamee et al. | | D8/14 |
| D399,172 | S * | 10/1998 | Anscher | | D11/218 |
| D412,462 | S * | 8/1999 | Fildan | | D11/231 |
| D446,473 | S * | 8/2001 | Chung | | D11/218 |
| D494,098 | S * | 8/2004 | Cohen | | D11/235 |
| D519,011 | S * | 4/2006 | Lister | | D8/40 |

| | | | | | |
|-----------|------|---------|----------|-------|---------|
| 7,370,558 | B1 * | 5/2008 | Chenelia | | 81/3.4 |
| 7,617,748 | B1 * | 11/2009 | Chenelia | | 81/3.55 |
| D609,069 | S * | 2/2010 | Fischer | | D8/34 |

* cited by examiner

Primary Examiner — Garth Rademaker

(74) *Attorney, Agent, or Firm* — Gordon & Rees LLP

(57) **CLAIM**

The ornamental design for a watchband bottle opener, as shown and described.

DESCRIPTION

FIG. 1 is a perspective view of a watchband bottle opener positioned on the end of a watch band.

FIG. 2 is a perspective view similar to FIG. 1, but with the watch band buckled.

FIG. 3 is a perspective view similar to FIGS. 1 and 2, showing the watch band bottle opener opening the cap of a bottle.

FIG. 4 is a top plan view of the watch band bottle opener.

FIG. 5 is a bottom plan view of the watch band bottle opener.

FIG. 6 is a left side elevation view of the watch band bottle opener.

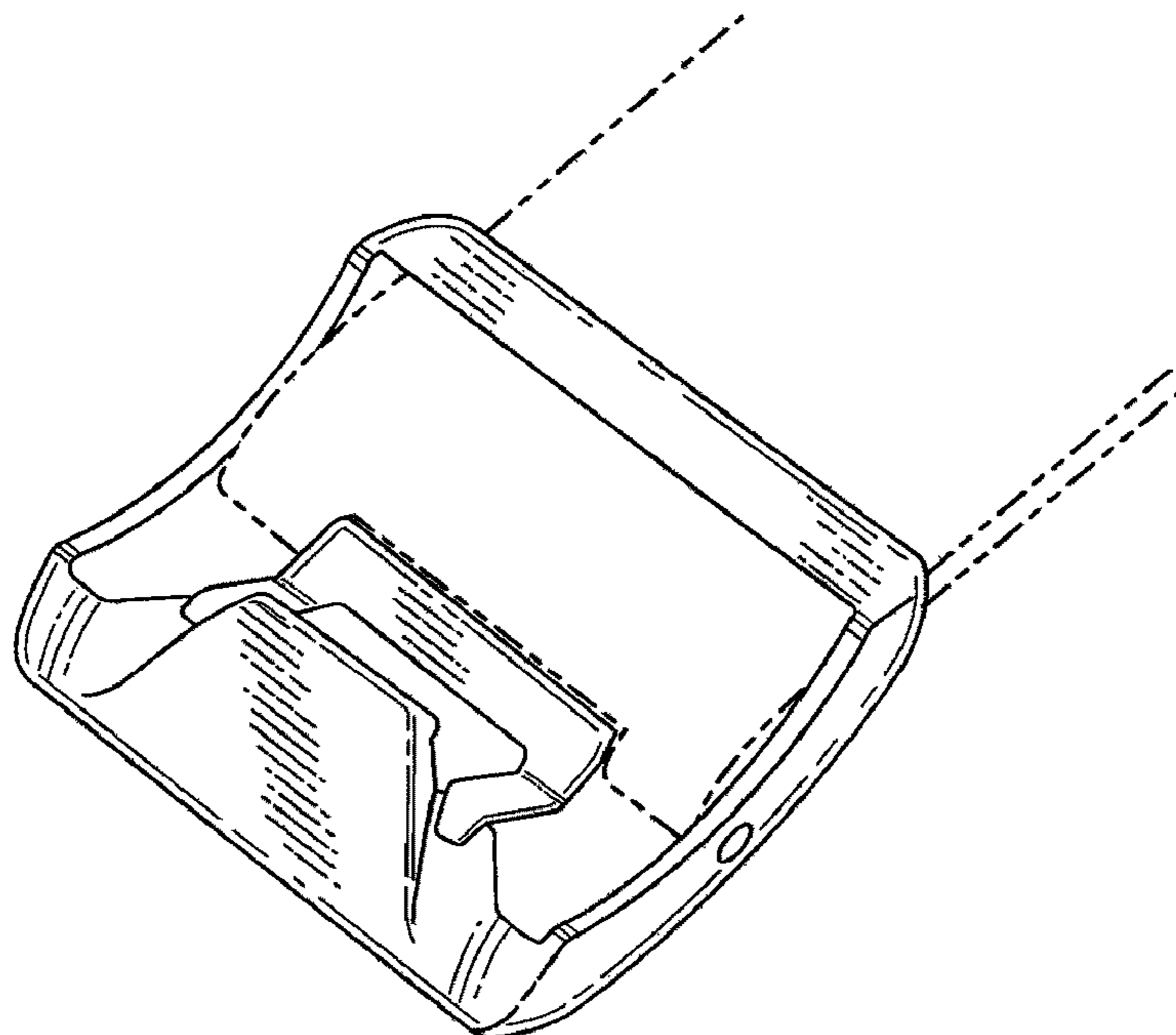
FIG. 7 is a right side elevation view of the watch band bottle opener.

FIG. 8 is a rear elevation view of the watch band bottle opener; and,

FIG. 9 is a front elevation view of the watch band bottle opener.

The broken lines depict environmental subject matter only and form no part of the claimed design.

1 Claim, 6 Drawing Sheets



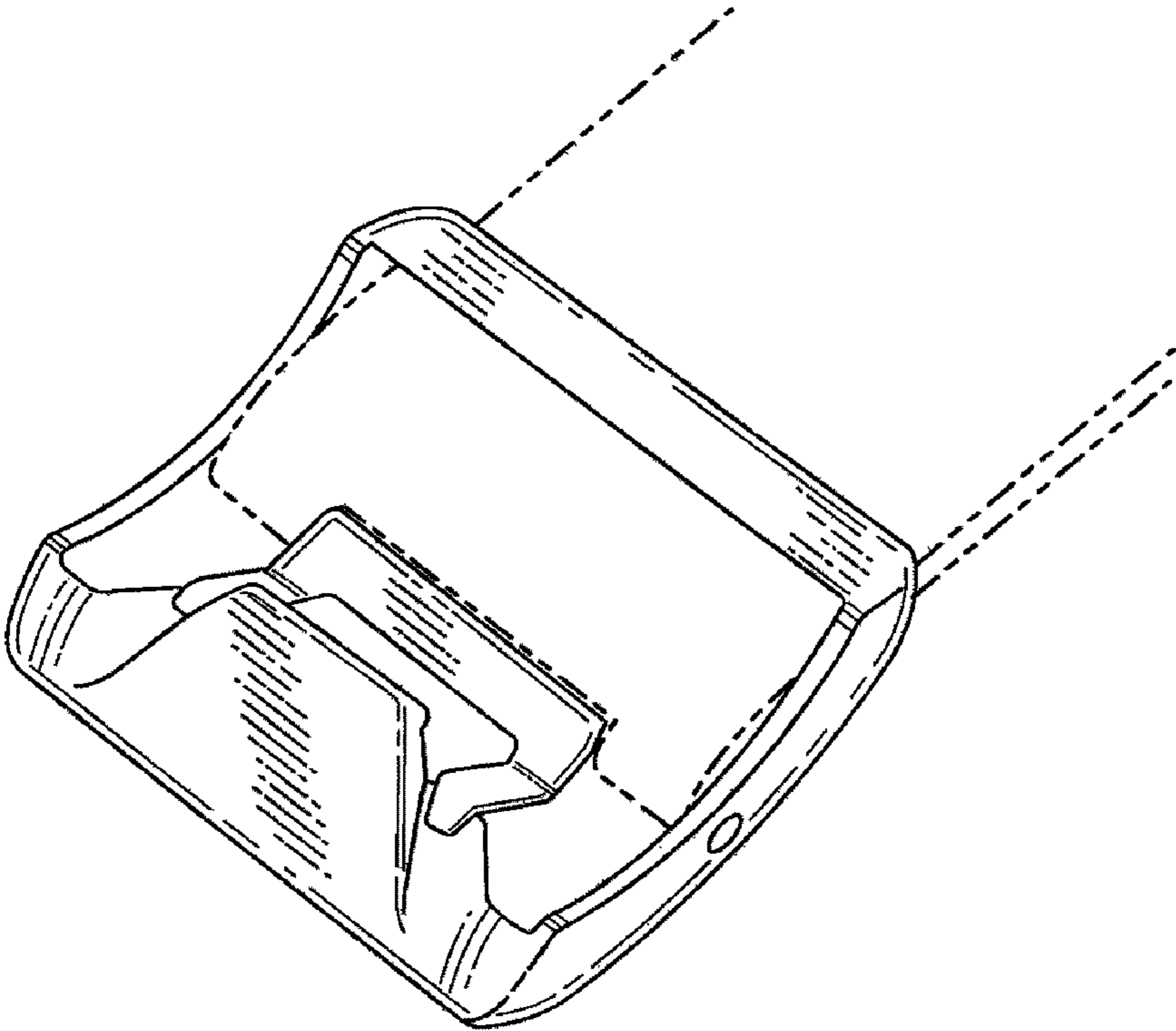


FIG. 1

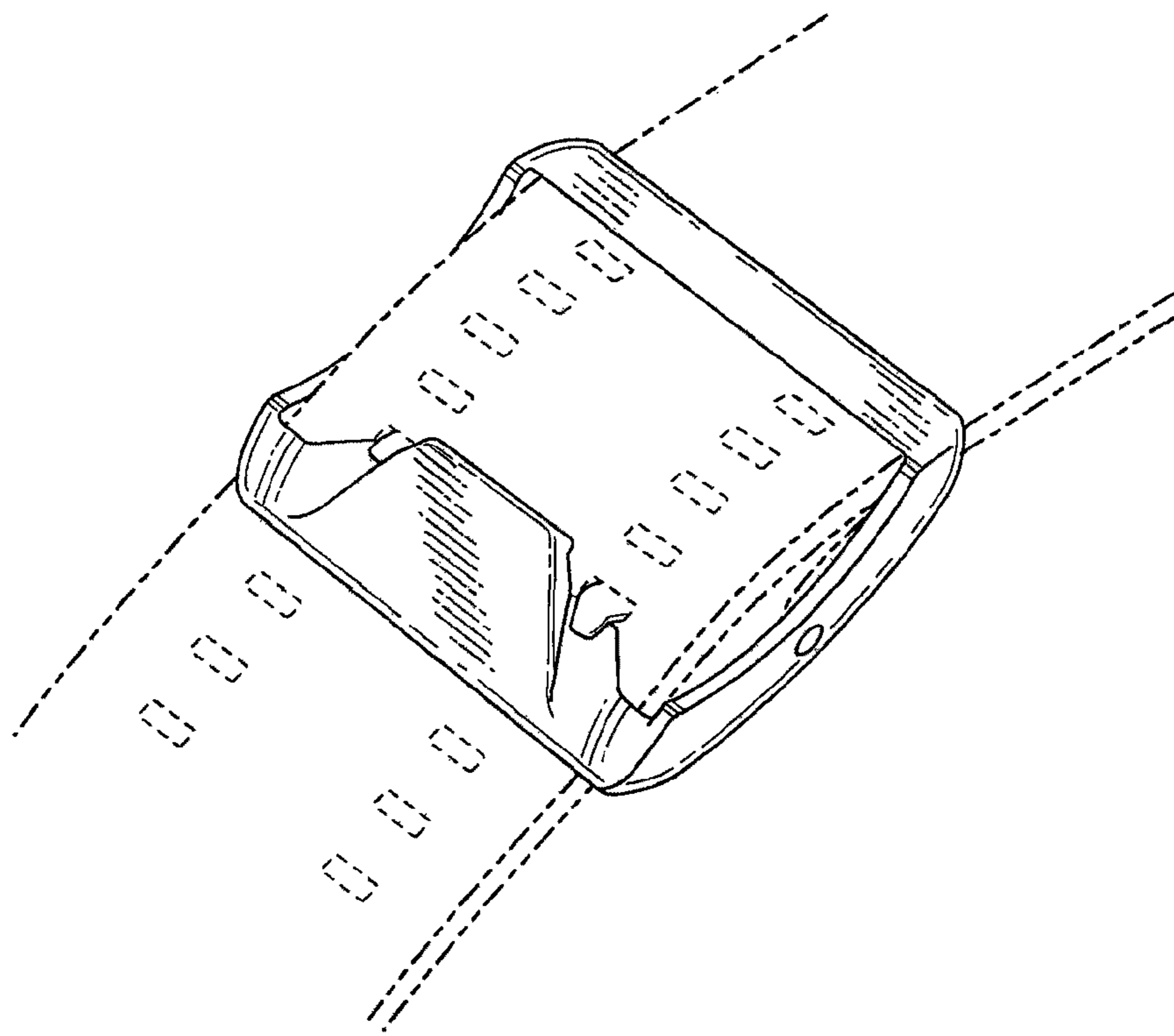


FIG. 2

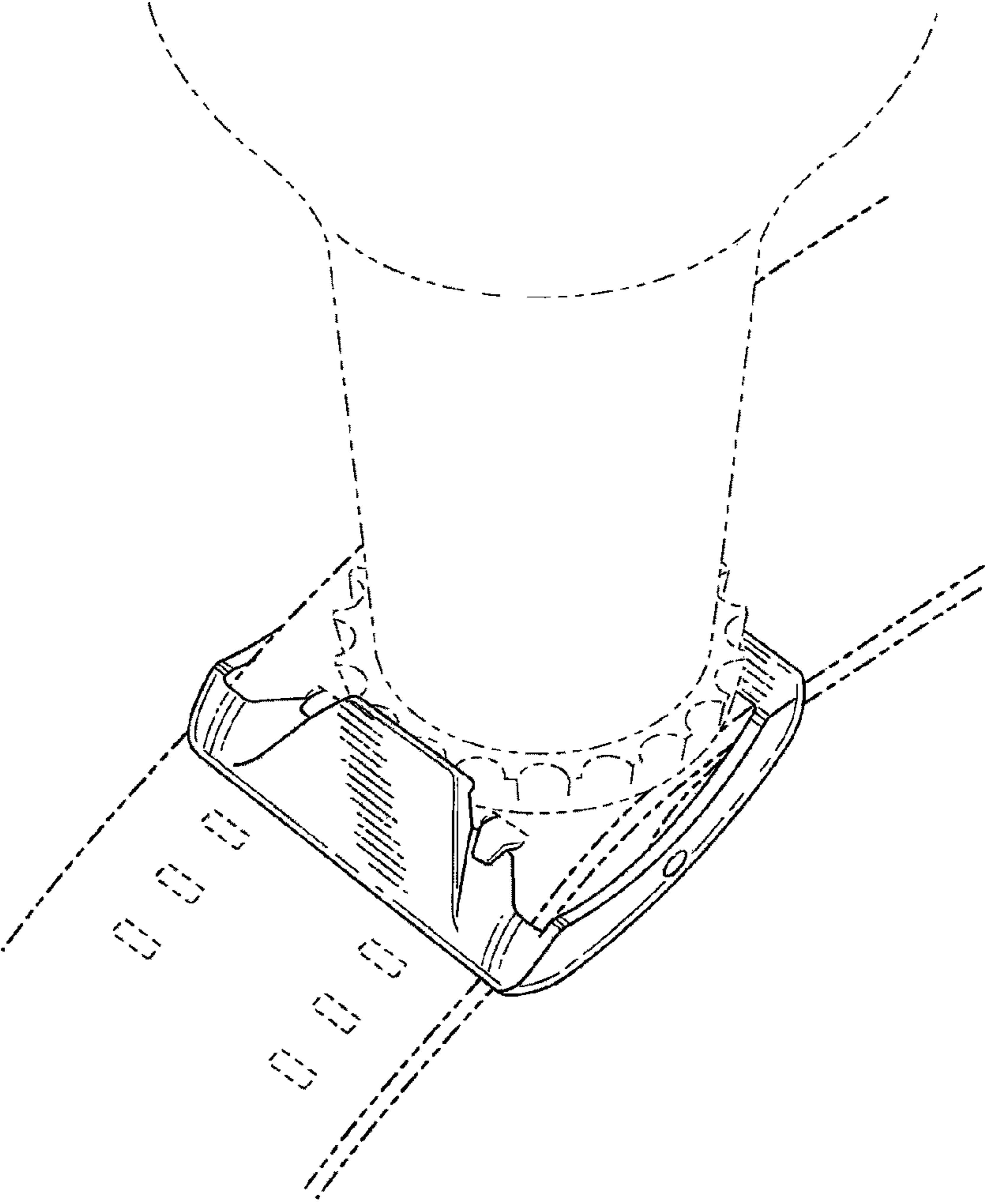


FIG. 3

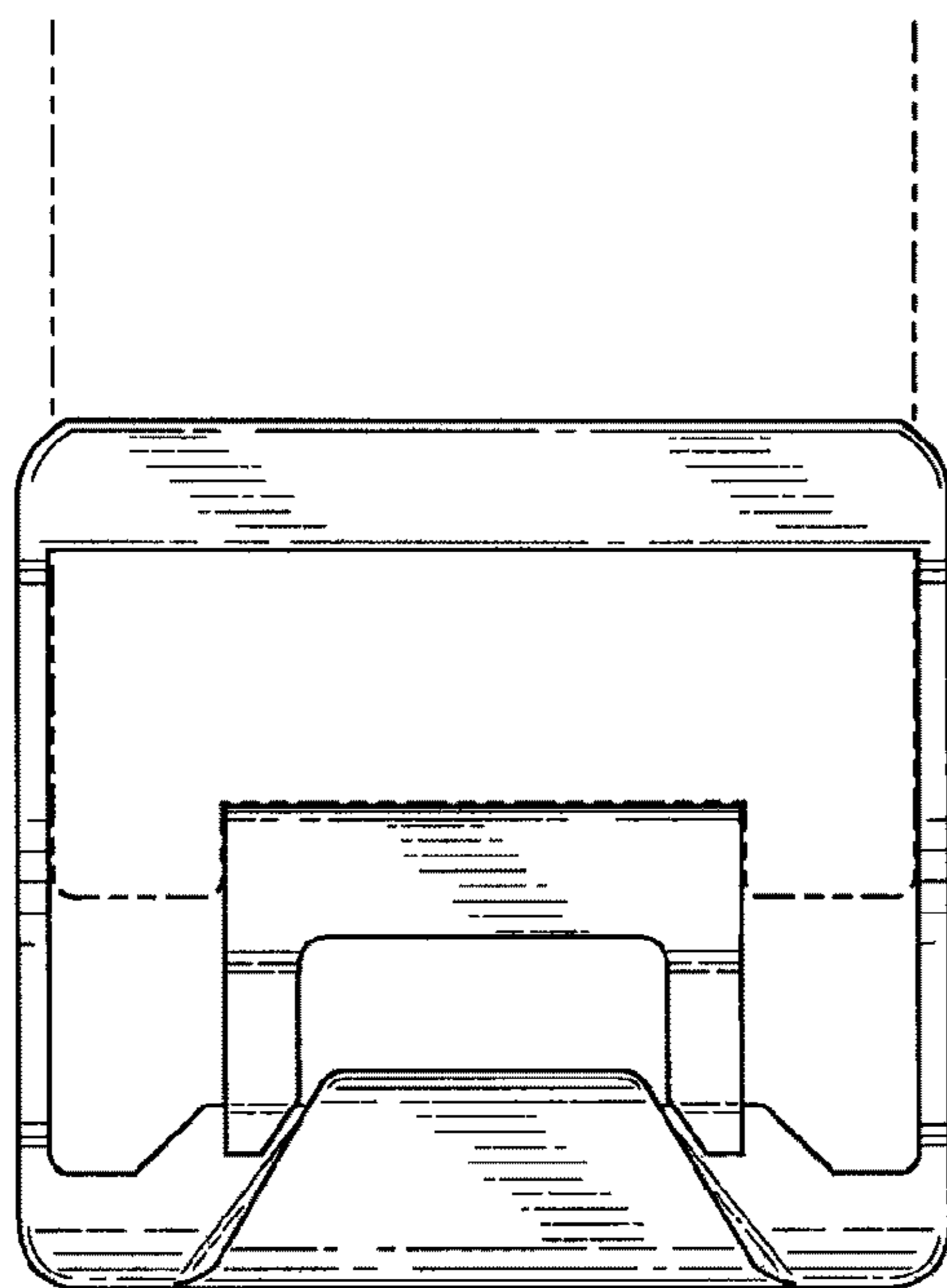


FIG. 4

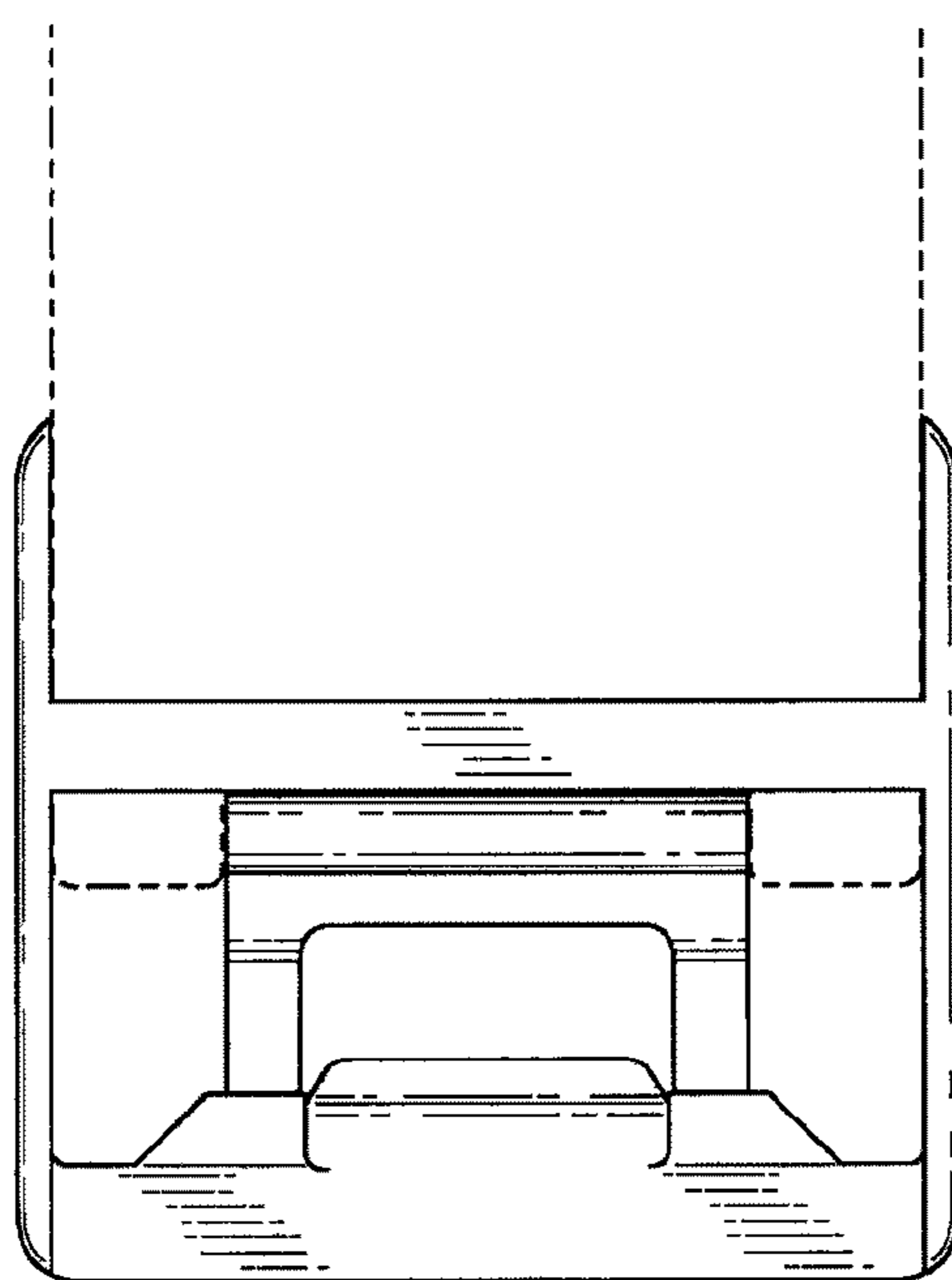


FIG. 5

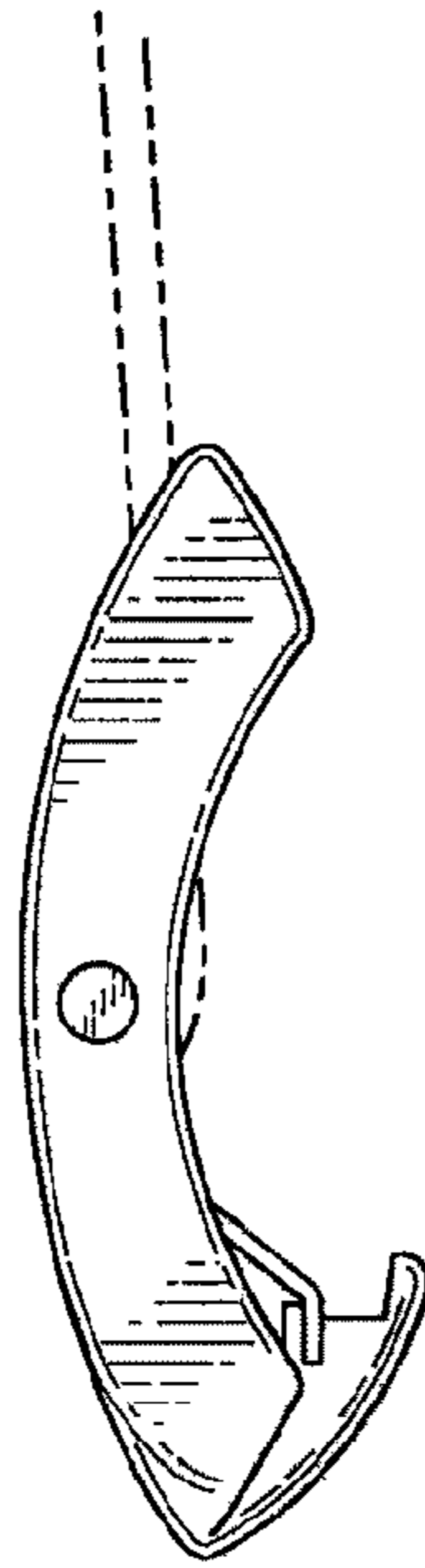


FIG. 6

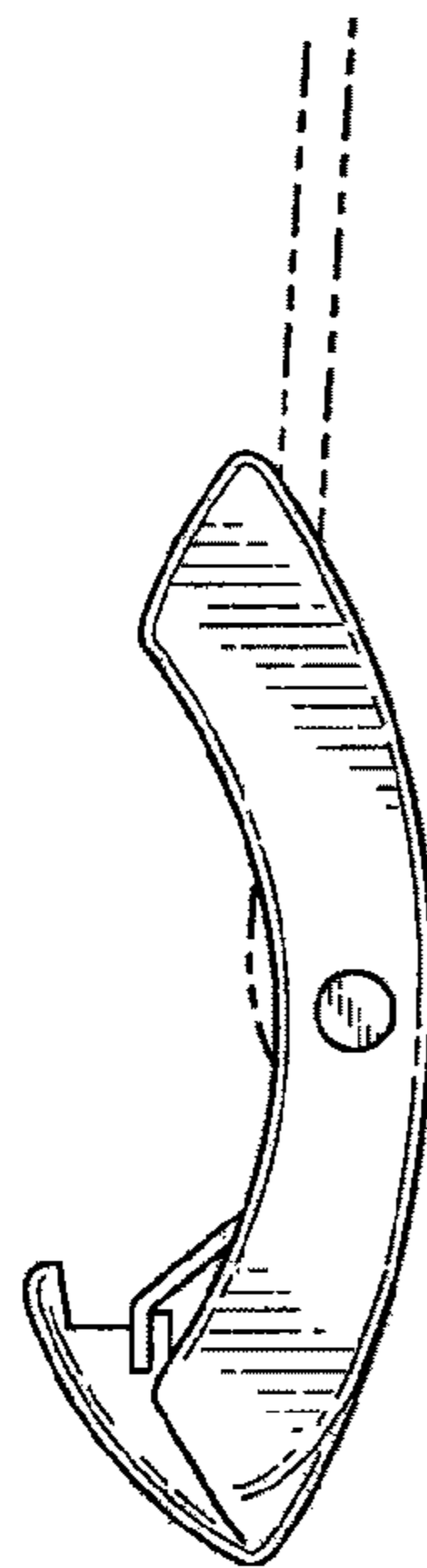


FIG. 7

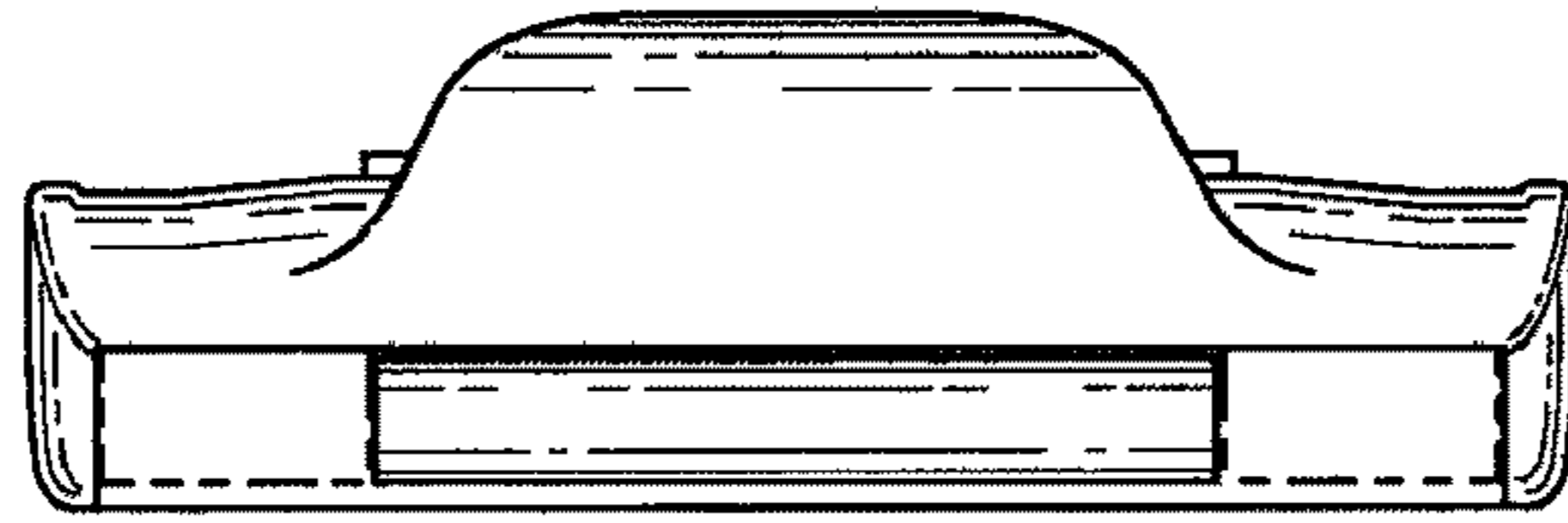


FIG. 8

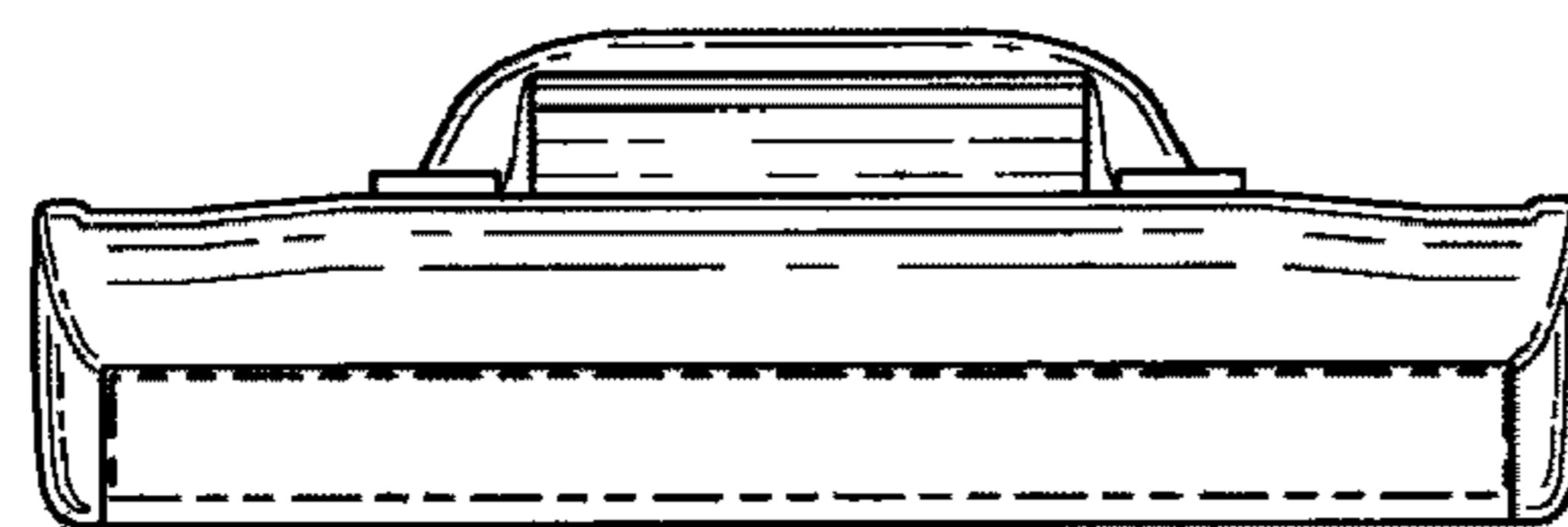


FIG. 9