



US00D637461S

(12) **United States Design Patent**
Ho

(10) **Patent No.:** **US D637,461 S**

(45) **Date of Patent:** **** May 10, 2011**

(54) **STORAGE BOX COVER WITH SECURE FLAP**

(56)

References Cited

(75) **Inventor:** **Joseph Chor Ho**, Thornhill (CA)

U.S. PATENT DOCUMENTS

(73) **Assignee:** **Founder Plastics, Inc.**, Ontario (CA)

4,976,370 A * 12/1990 Cassel 220/792

6,415,947 B1 * 7/2002 Kim 220/788

D481,910 S * 11/2003 Kim D7/629

6,793,096 B1 * 9/2004 Seok 220/788

D544,762 S * 6/2007 Zimmerman D7/629

2005/0006390 A1 * 1/2005 Wang 220/326

2005/0035125 A1 * 2/2005 Bae 220/326

(**) **Term:** **14 Years**

(21) **Appl. No.:** **29/377,047**

(22) **Filed:** **Oct. 15, 2010**

* cited by examiner

Related U.S. Application Data

Primary Examiner — Terry A Wallace

(63) Continuation of application No. 29/317,173, filed on Apr. 23, 2008.

(74) *Attorney, Agent, or Firm* — Grossman, Tucker, Perreault and Pfeleger, PLLC

(30) **Foreign Application Priority Data**

(57) **CLAIM**

Oct. 23, 2007 (CA) 122843

The ornamental design for a storage box cover with secure flap, as shown and described.

(51) **LOC (9) Cl.** **07-07**

(52) **U.S. Cl.** **D7/629**

(58) **Field of Classification Search** D7/601,

D7/602, 629, 538–542, 391–392.1; D9/424–432,

D9/434, 435, 454; 220/574–575, 780–806,

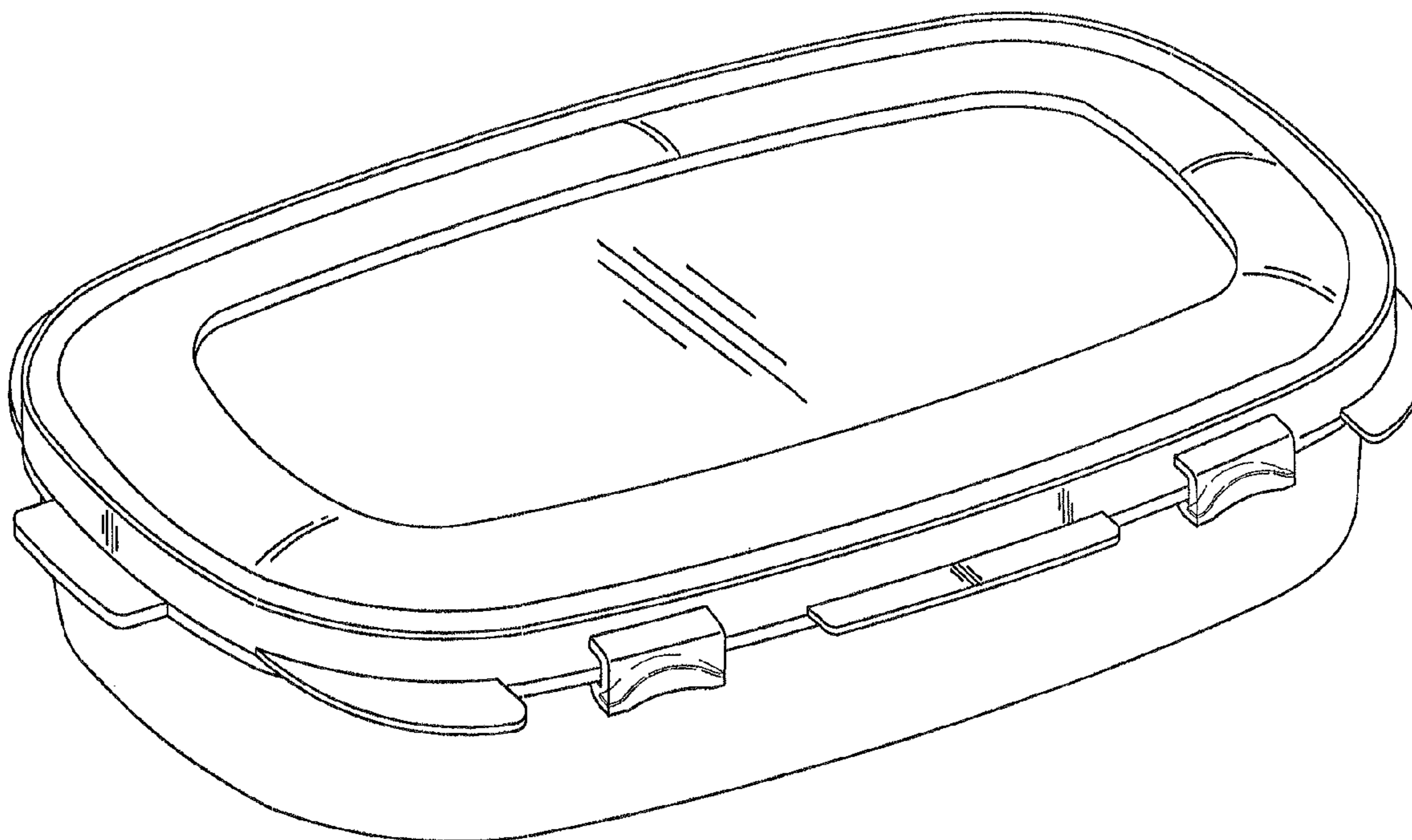
220/236

DESCRIPTION

FIG. 1 is a combined top, left and front view according to the present design.

See application file for complete search history.

1 Claim, 1 Drawing Sheet



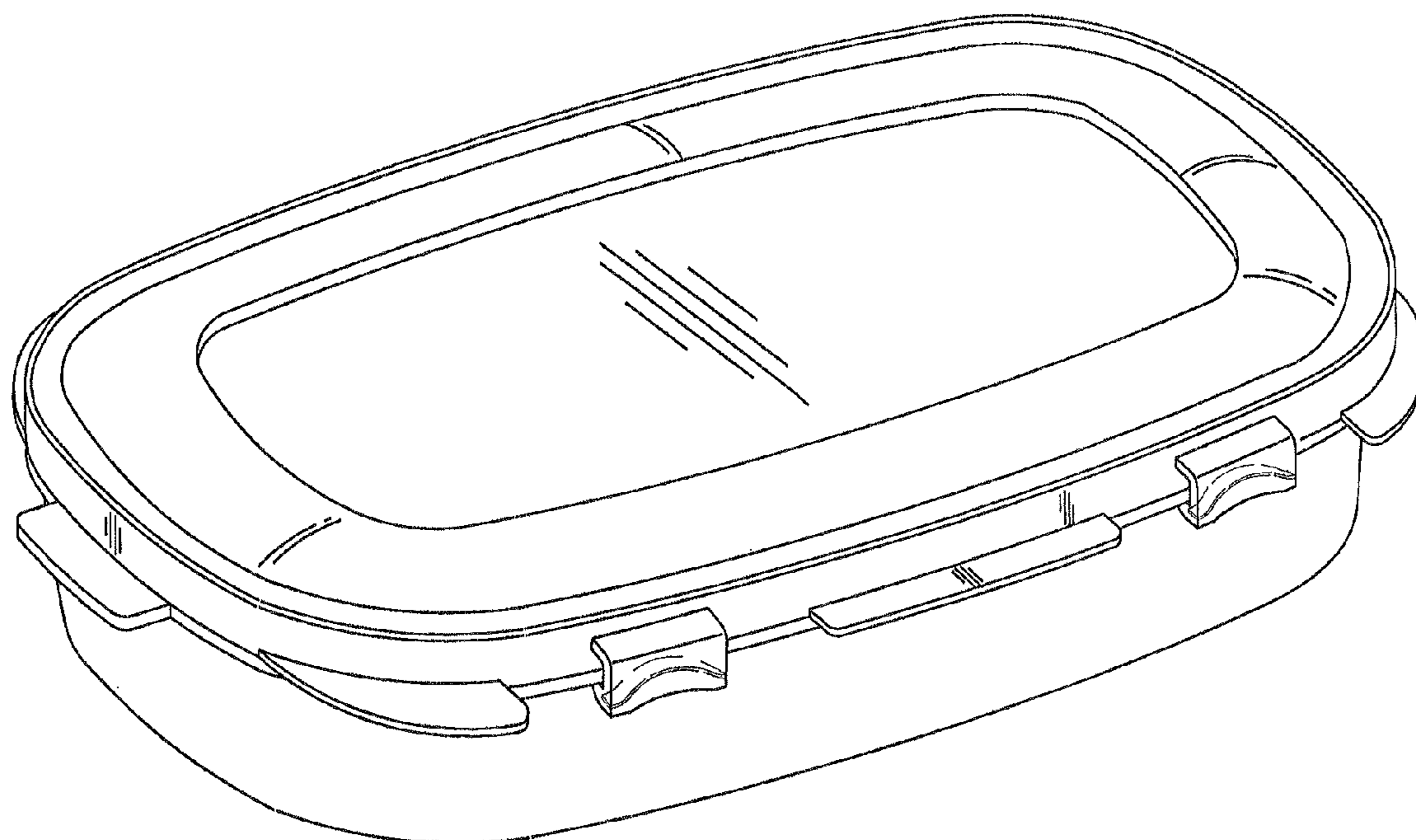


FIG. 1