



US00D637460S

(12) **United States Design Patent**
Tussy

(10) **Patent No.:** **US D637,460 S**

(45) **Date of Patent:** **** May 10, 2011**

(54) **PORTABLE HOLDING DEVICE**

(76) **Inventor:** **Kevin Alan Tussy, Las Vegas, NV (US)**

(**) **Term:** **14 Years**

(21) **Appl. No.:** **29/370,707**

(22) **Filed:** **Aug. 24, 2010**

(51) **LOC (9) Cl.** **07-06**

(52) **U.S. Cl.** **D7/624.1; D7/691.1**

(58) **Field of Classification Search** **D7/619.1-625,**
D7/368, 601; 220/737, 739; 215/393-396;
248/311.2; 211/74

See application file for complete search history.

(56) **References Cited**

U.S. PATENT DOCUMENTS

3,120,308	A	2/1964	Pierro	
D202,385	S *	9/1965	Wilson	D6/519
3,939,986	A	2/1976	Pierro	
D261,592	S *	11/1981	Wilson	D7/624.2
4,606,523	A	8/1986	Statz	
4,721,216	A	1/1988	Kinder	

D306,546	S *	3/1990	Coy	D7/624.2
D379,288	S	5/1997	Azar	
D381,807	S *	8/1997	Pickle	D3/273
D396,383	S *	7/1998	Hanson	D7/620
D493,072	S	7/2004	Palmer	

* cited by examiner

Primary Examiner — Terry A Wallace

(74) *Attorney, Agent, or Firm* — X-Patents, APC

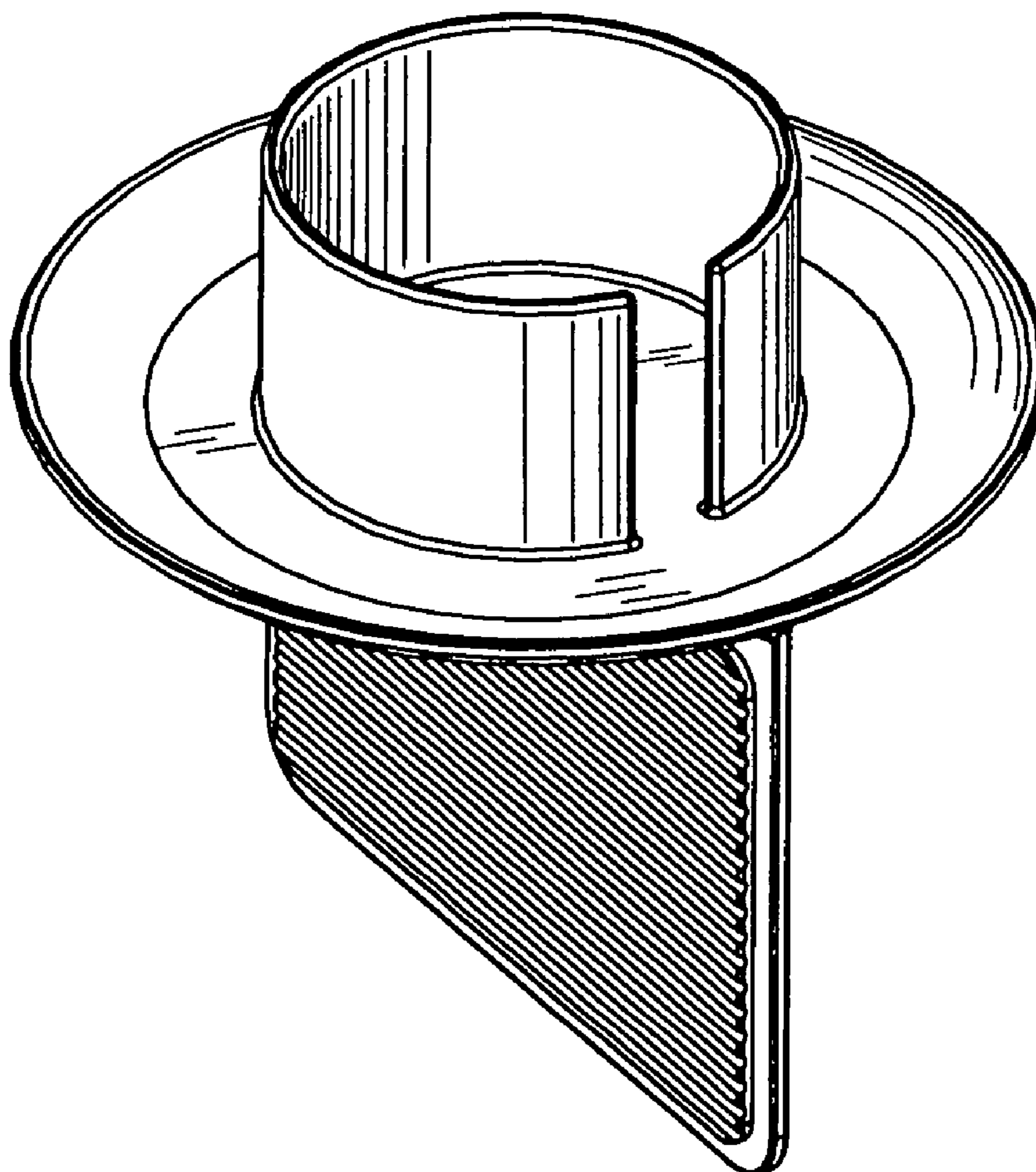
(57) **CLAIM**

The ornamental design for a portable holding device, as shown and described.

DESCRIPTION

FIG. 1 is a top perspective view of a portable holding device showing my new design;
FIG. 2 is a side view thereof;
FIG. 3 is an alternate side view thereof;
FIG. 4 is a further alternate side view thereof;
FIG. 5 is a plan view thereof; and,
FIG. 6 is a bottom view thereof.

1 Claim, 6 Drawing Sheets



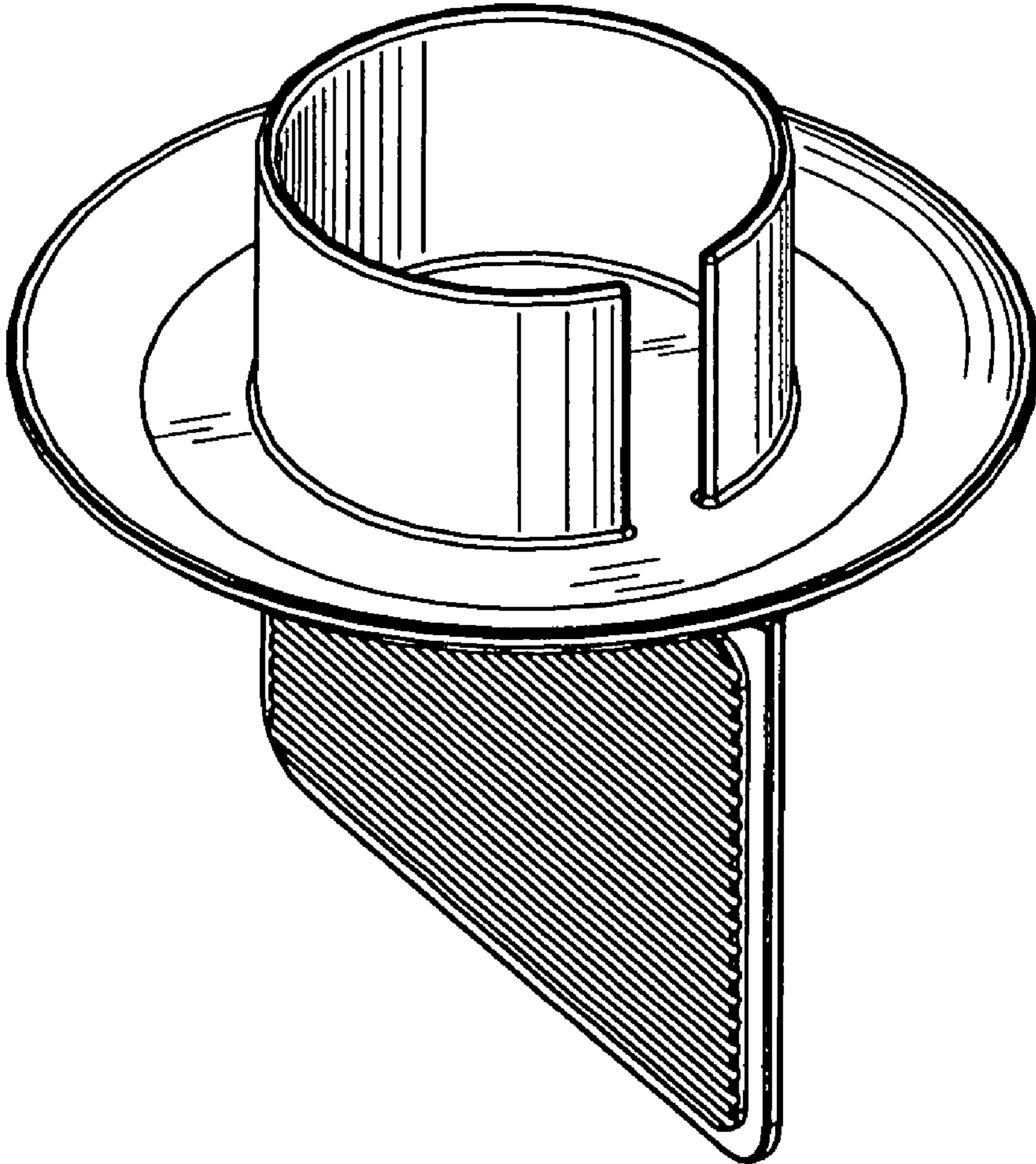


FIG. 1

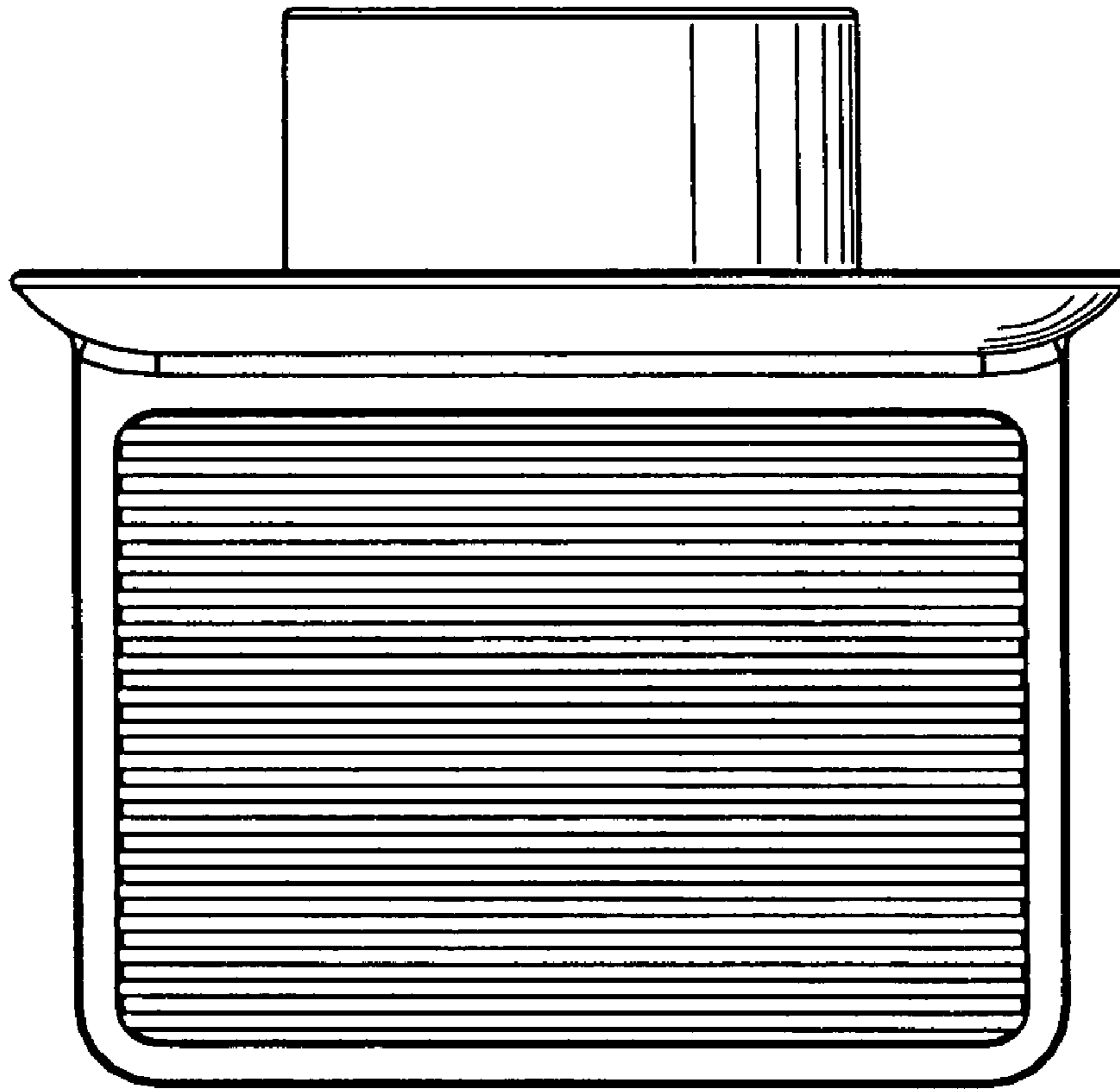


FIG. 2

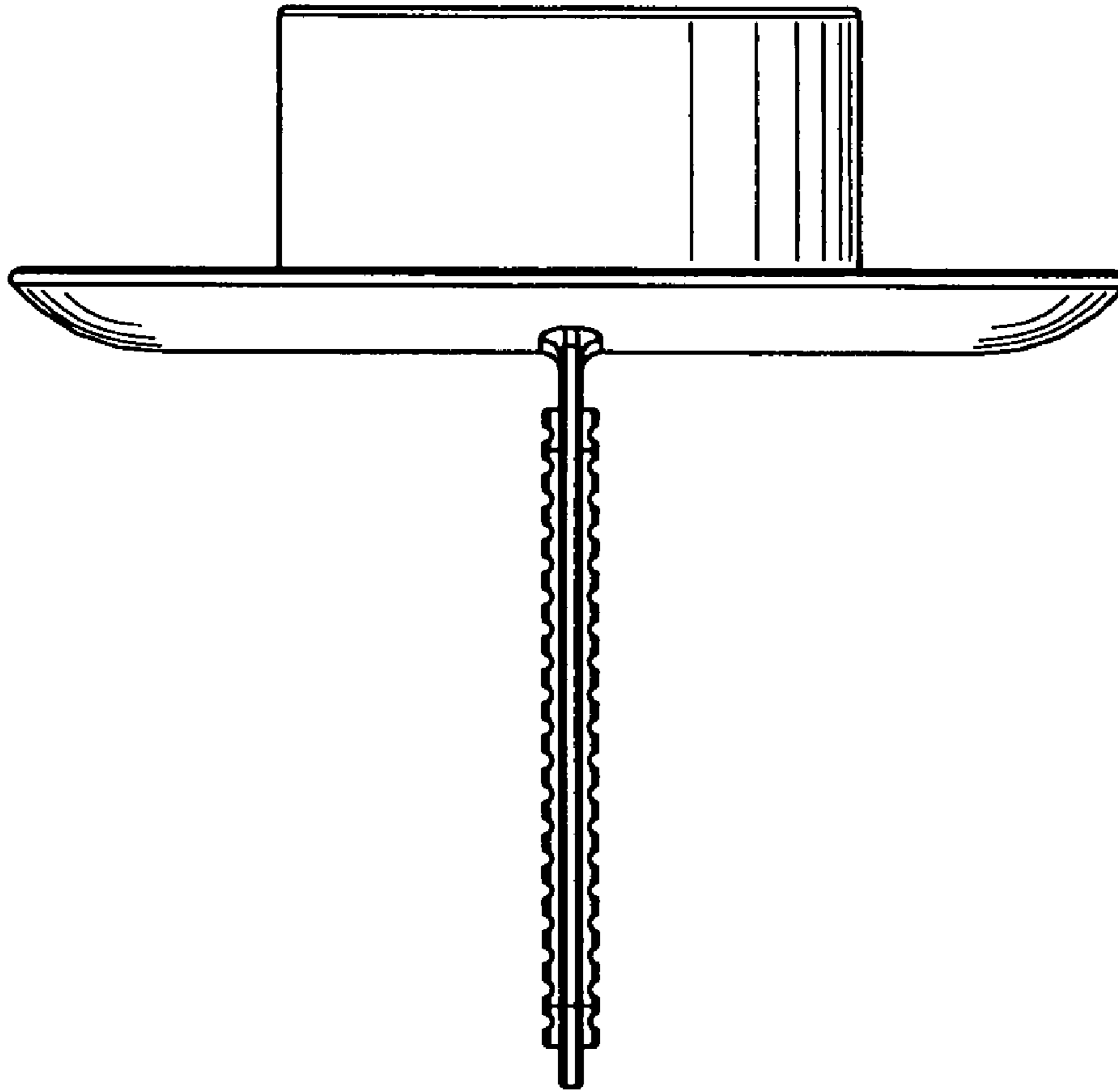


FIG. 3

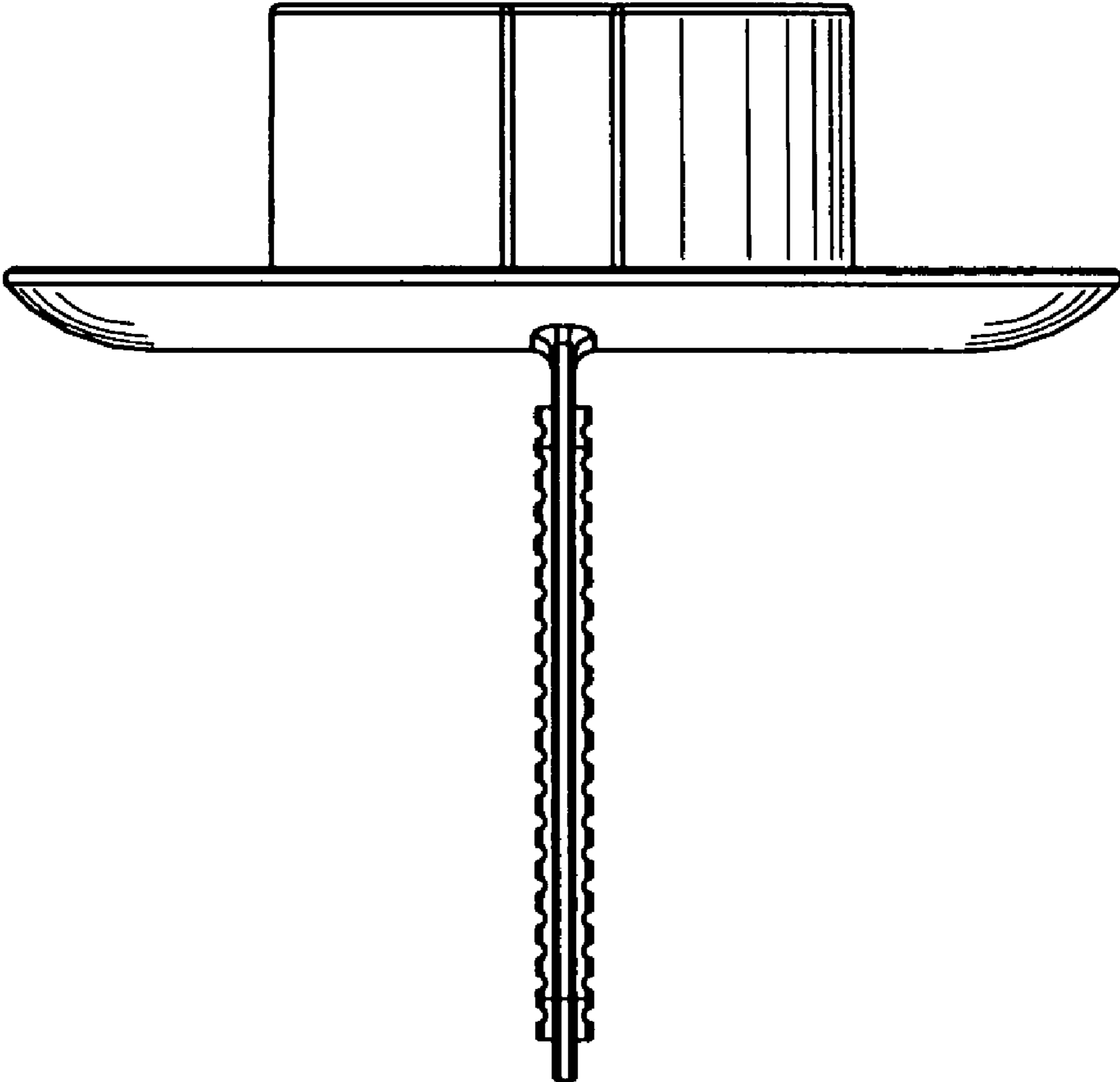


FIG. 4

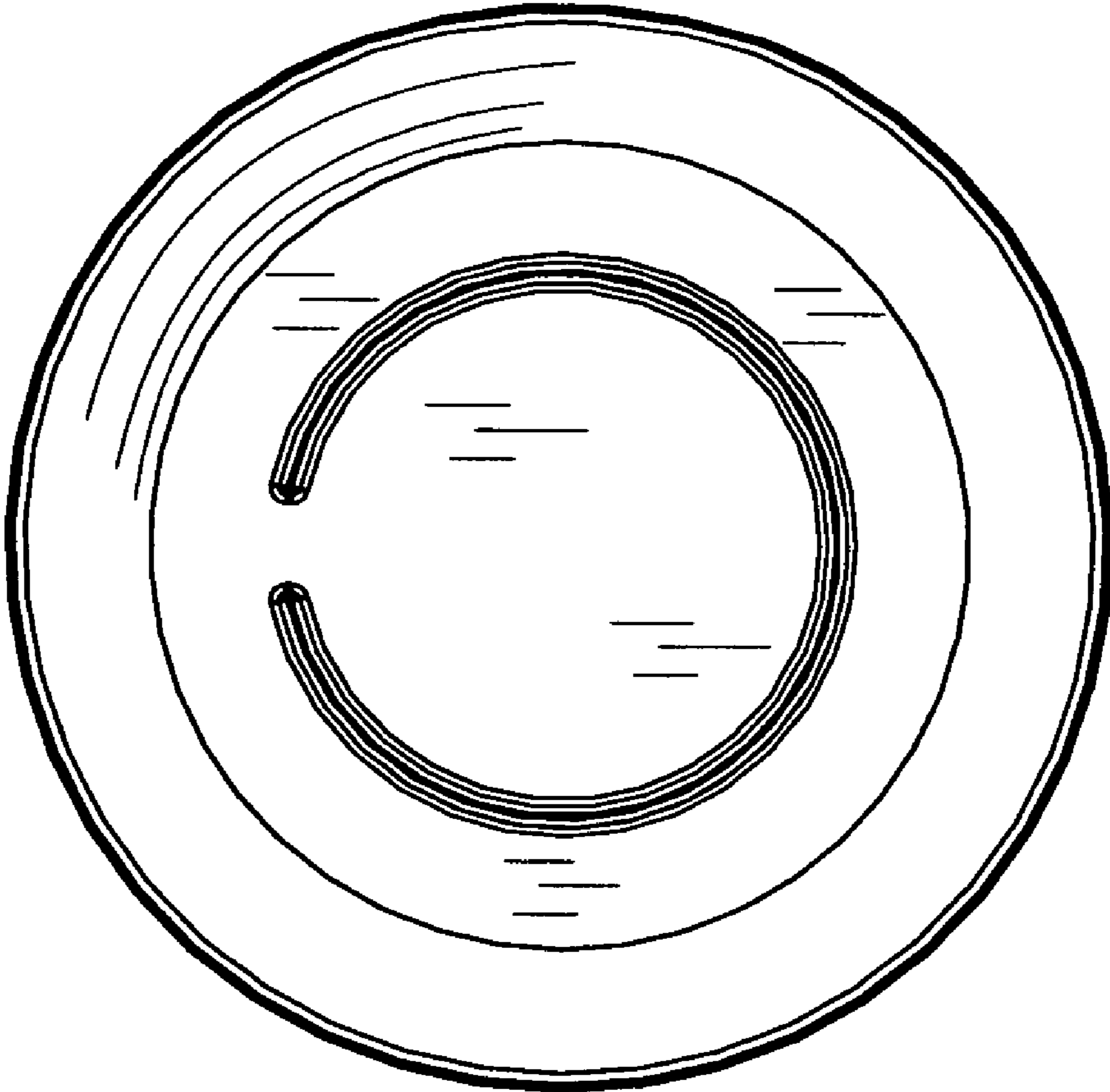


FIG. 5

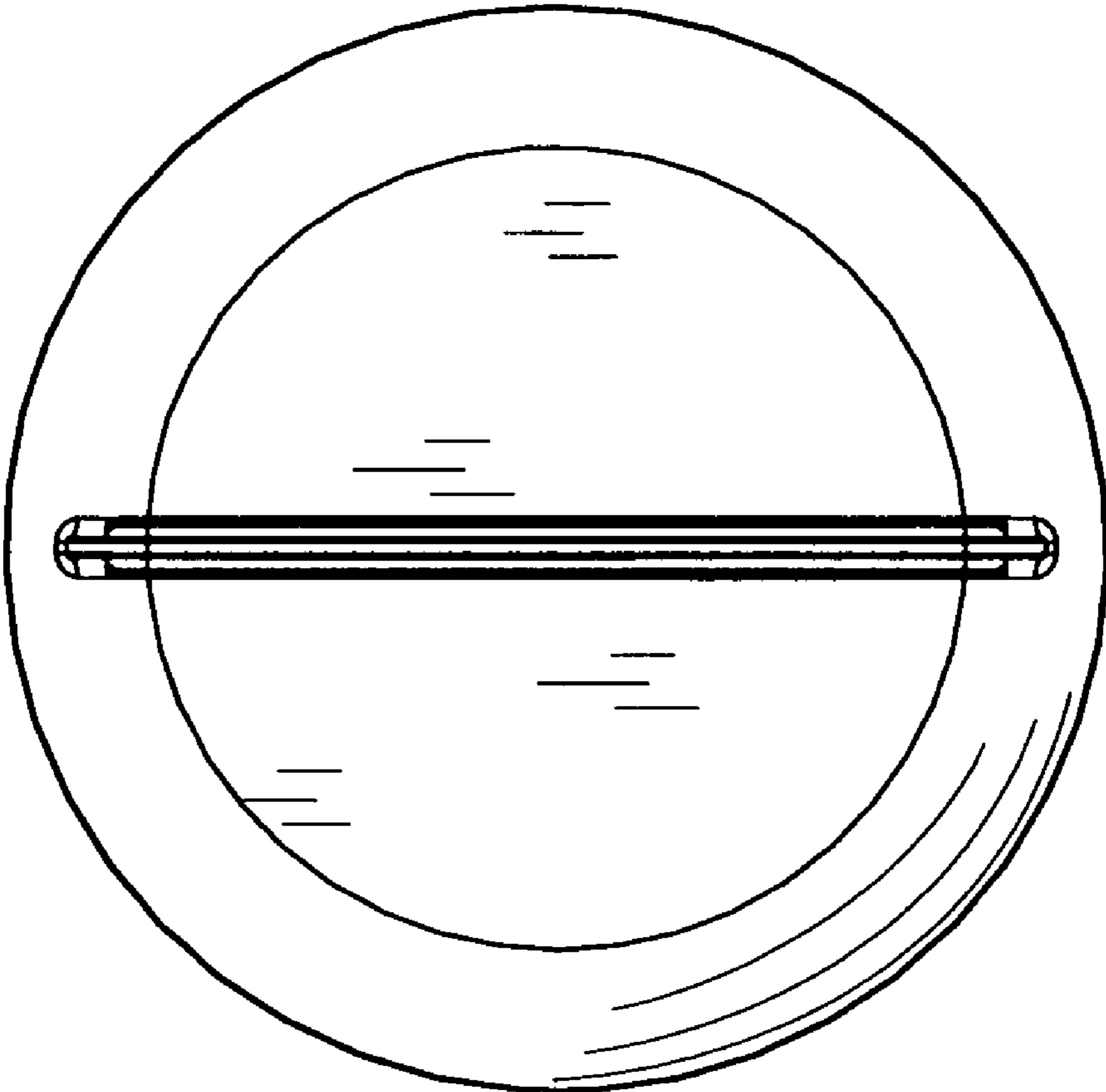


FIG. 6