



US00D637459S

(12) **United States Design Patent**  
**Giese**

(10) **Patent No.:** **US D637,459 S**

(45) **Date of Patent:** **\*\* May 10, 2011**

(54) **TOY WAGON COOLER**

(76) Inventor: **Ryan Giese**, Dayton, TX (US)

(\*\*) Term: **14 Years**

(21) Appl. No.: **29/365,642**

(22) Filed: **Jul. 13, 2010**

(51) **LOC (9) Cl.** ..... **07-01**

(52) **U.S. Cl.** ..... **D7/606**

(58) **Field of Classification Search** ..... D7/603-608;  
62/457.1-457.9, 371, 372, 389; 220/915.1,  
220/915.2, 592.03, 592.09, 592.2, 592.16;  
280/47.26, 43.1, 43.24, 43.17, 29, 47.17,  
280/242.1, 200, 655.1, 64; D21/533, 534,  
D21/536, 425

See application file for complete search history.

(56) **References Cited**

U.S. PATENT DOCUMENTS

4,846,493	A *	7/1989	Mason	.....	280/641
4,873,841	A *	10/1989	Bradshaw et al.	.....	62/239
D322,915	S *	1/1992	Franklin	.....	D7/606
5,407,218	A *	4/1995	Jackson	.....	280/30
D415,658	S *	10/1999	Frehse	.....	D7/605
6,446,988	B1 *	9/2002	Kho	.....	280/47.26
6,497,424	B2 *	12/2002	Gartner et al.	.....	280/47.4

D484,004	S *	12/2003	Lee	.....	D7/605
D613,560	S *	4/2010	Robichaud et al.	.....	D7/605
2007/0101754	A1 *	5/2007	Maldonado	.....	62/389

\* cited by examiner

*Primary Examiner* — Terry A Wallace

(74) *Attorney, Agent, or Firm* — Keith C. Rawlins

(57) **CLAIM**

The ornamental design for a toy wagon cooler, as shown and described.

**DESCRIPTION**

FIG. 1 is a perspective view of the toy wagon cooler of my new design. The broken lines are for illustrative purposes and form no part of the claimed design;

FIG. 2 is a left side, elevational view of the toy wagon cooler of FIG. 1, the right side being a mirror image thereof;

FIG. 3 is a top plan view of the toy wagon cooler of FIG. 1, showing the design of the exterior of the toy wagon cooler;

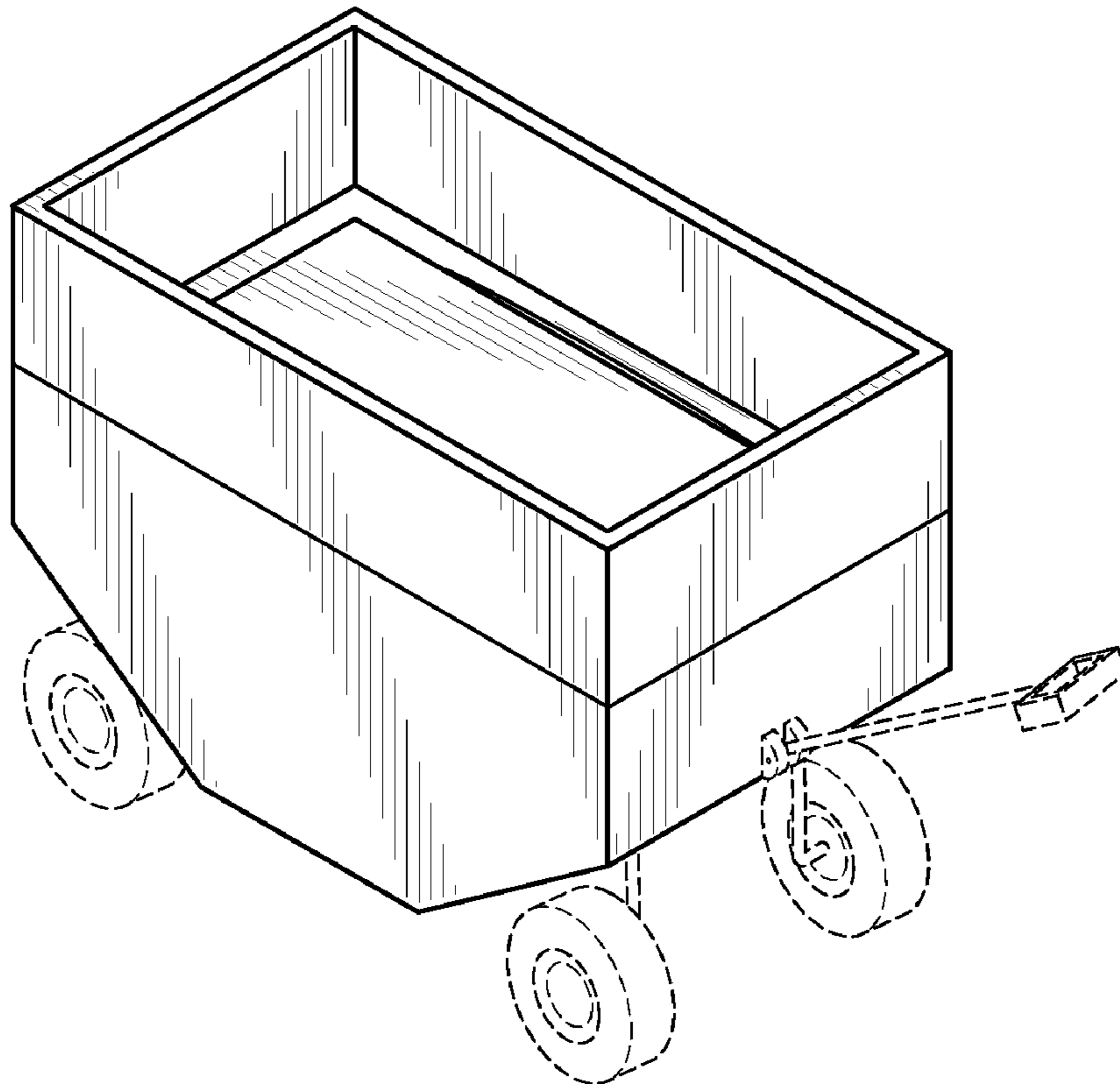
FIG. 4 is a top plan view of the toy wagon cooler of FIG. 1, showing the design of the interior of the toy wagon cooler;

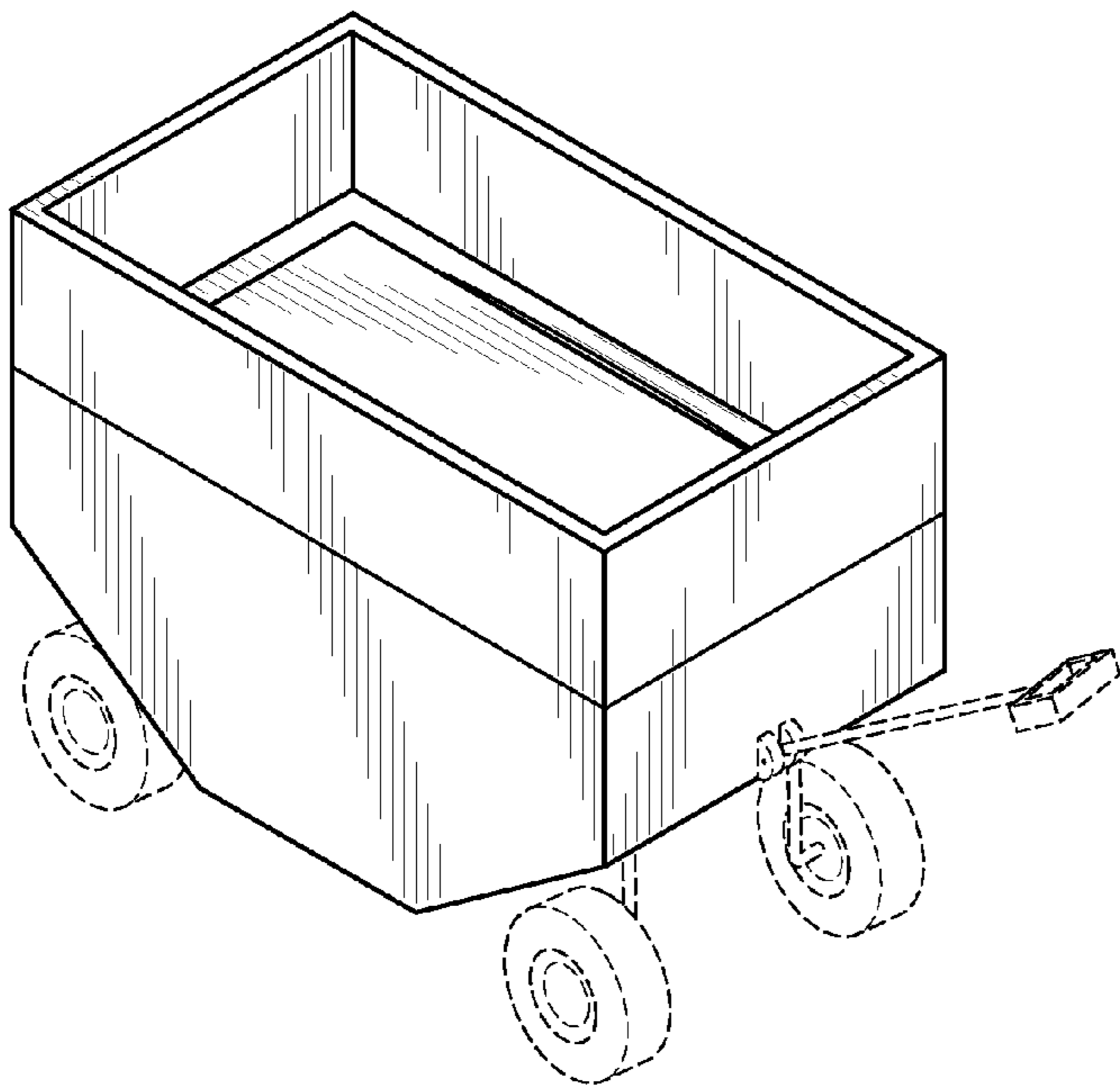
FIG. 5 is a bottom plan view of the toy wagon cooler of FIG. 1;

FIG. 6 is a front end view of the toy wagon cooler of FIG. 1; and,

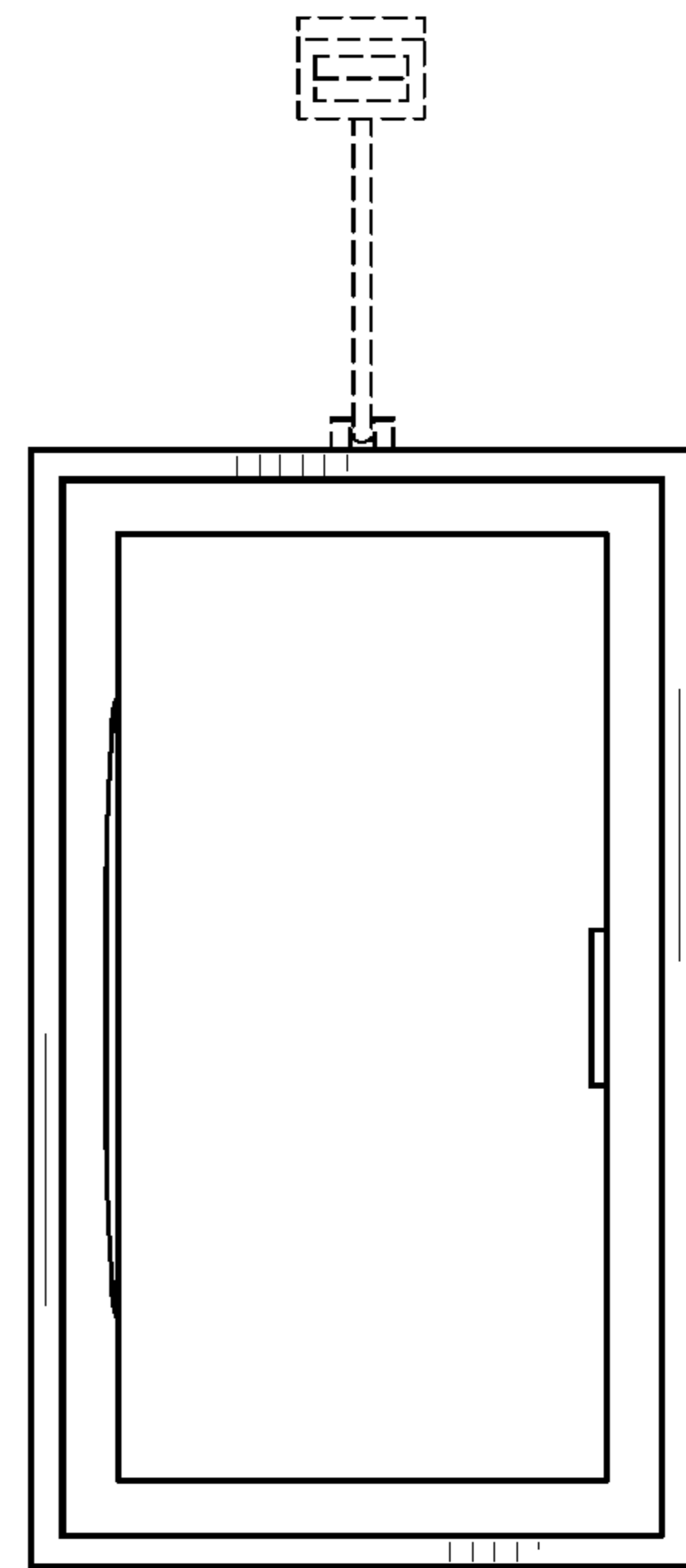
FIG. 7 is a rear end view of the toy wagon cooler of FIG. 1.

**1 Claim, 2 Drawing Sheets**

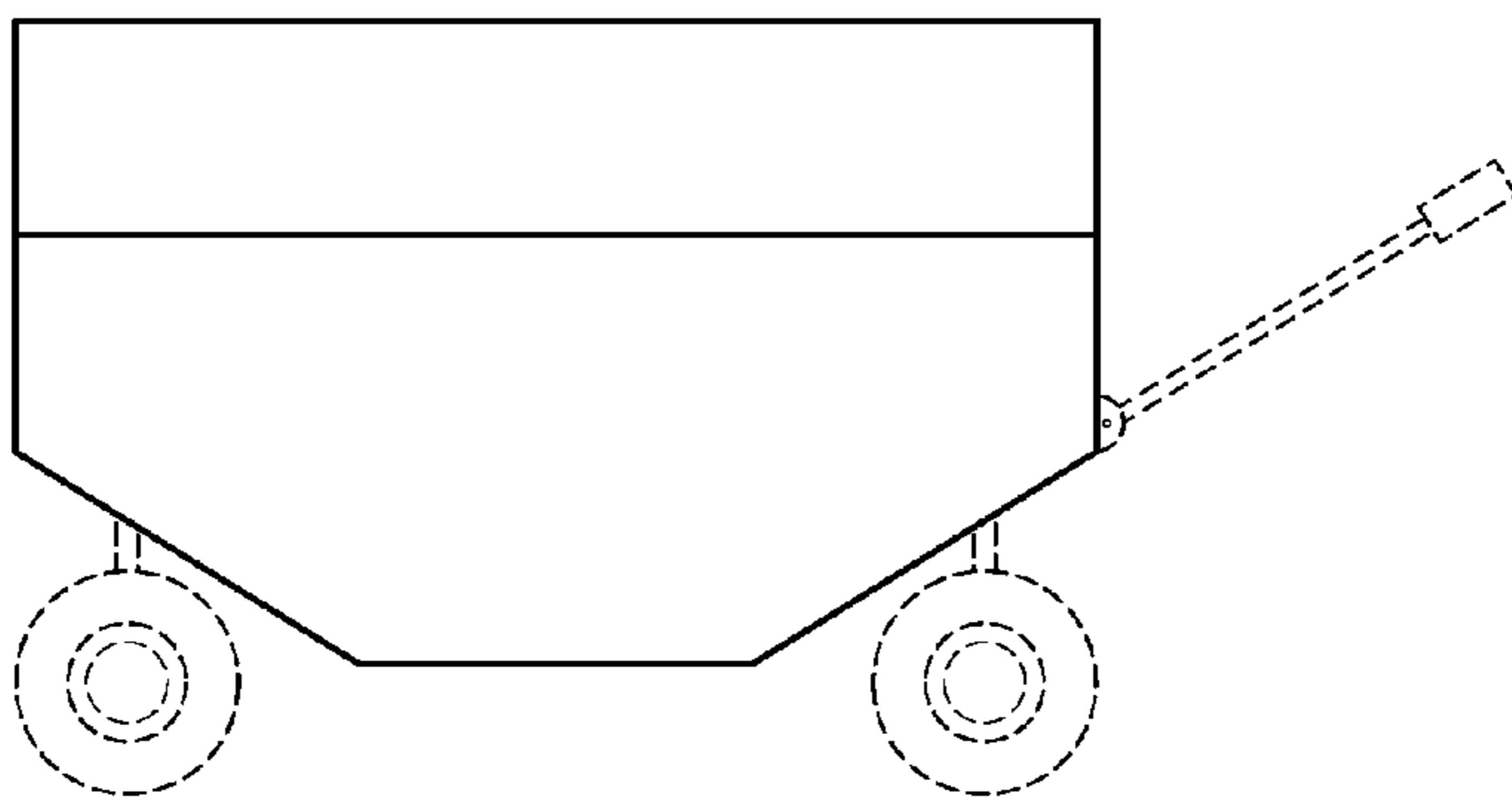




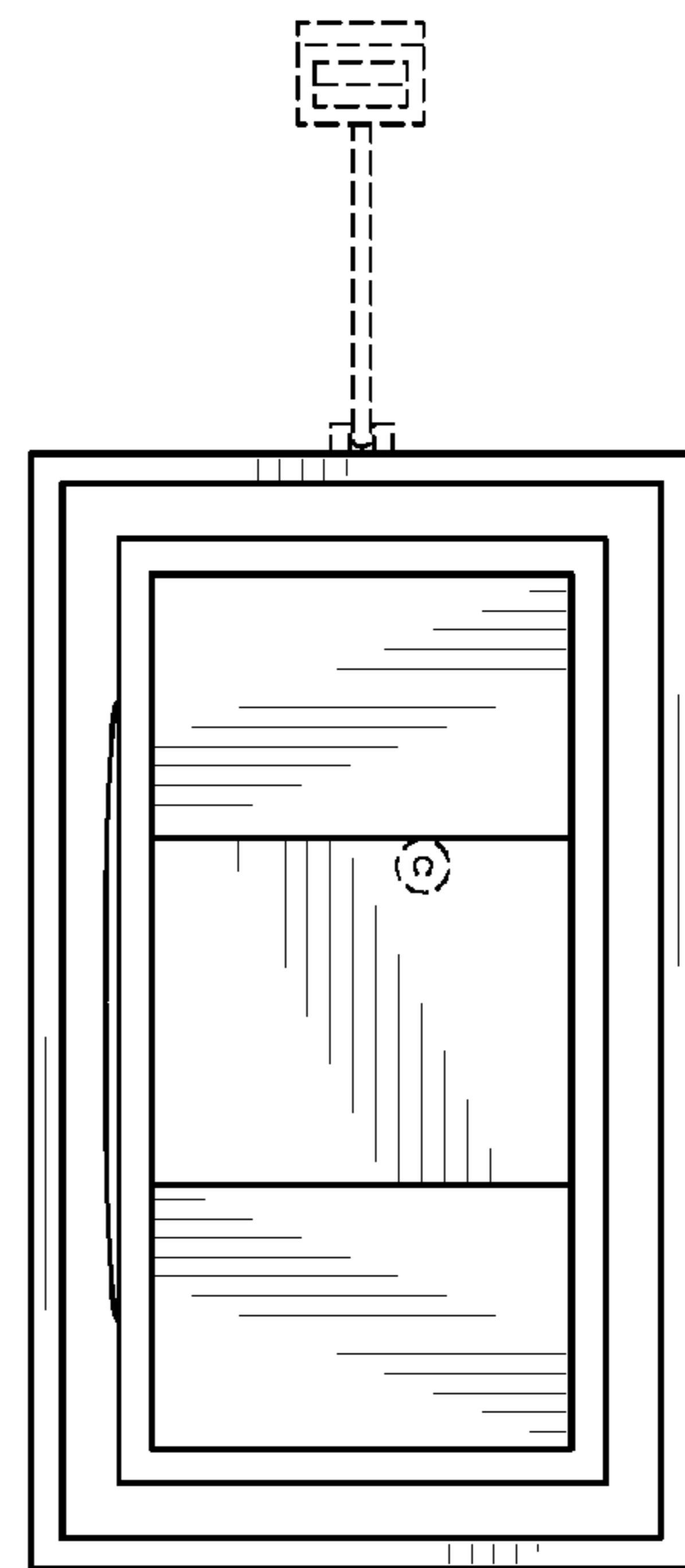
**FIG. 1**



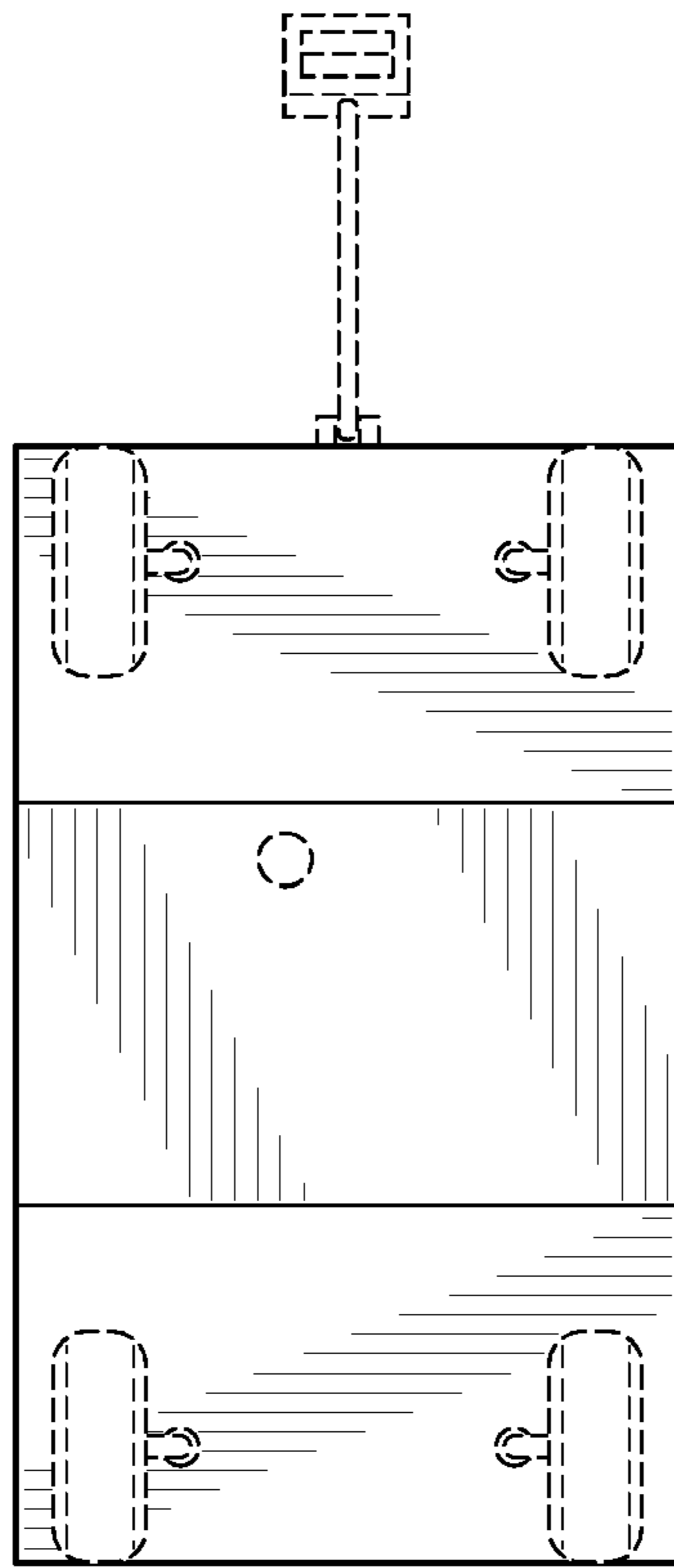
**FIG. 3**



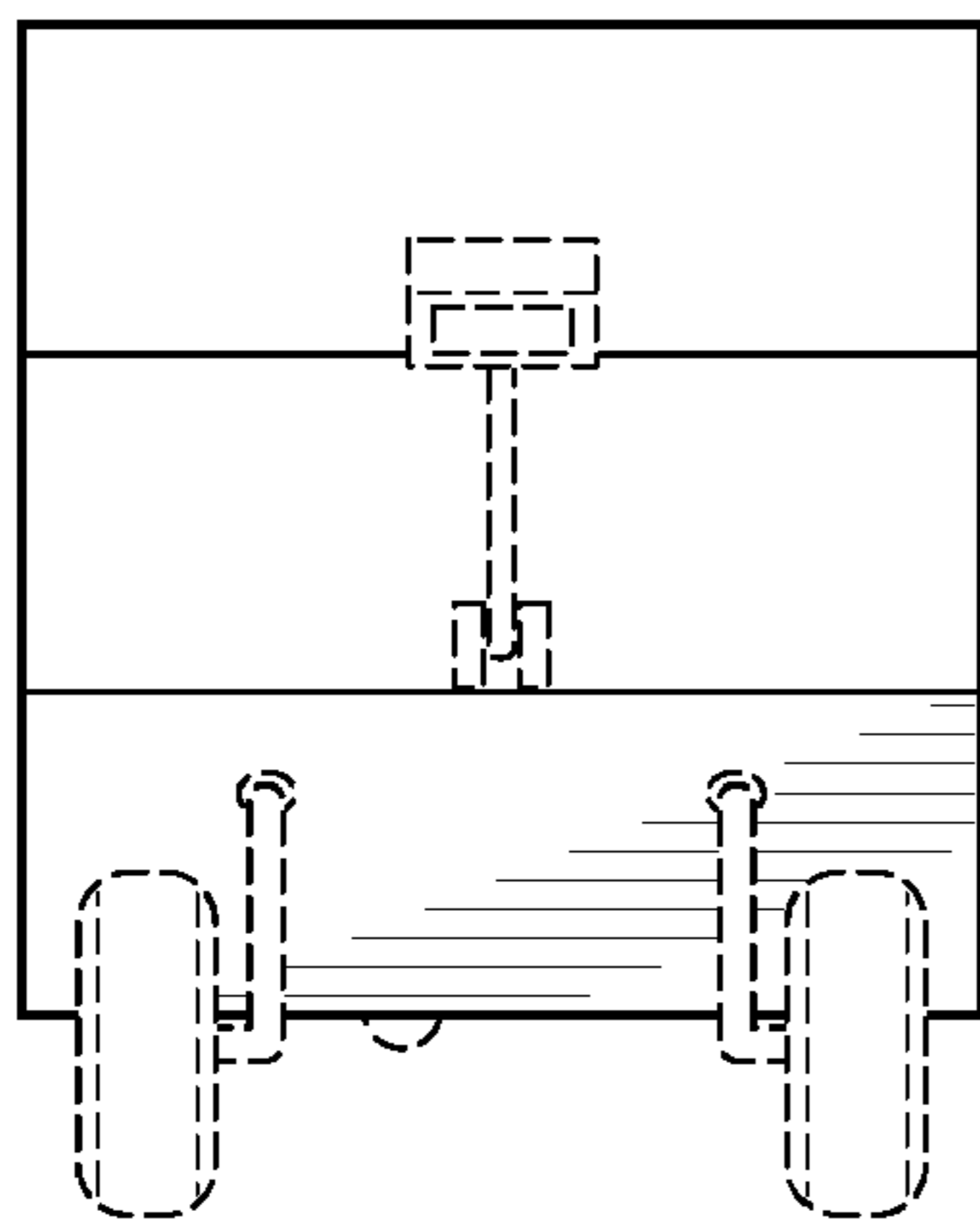
**FIG. 2**



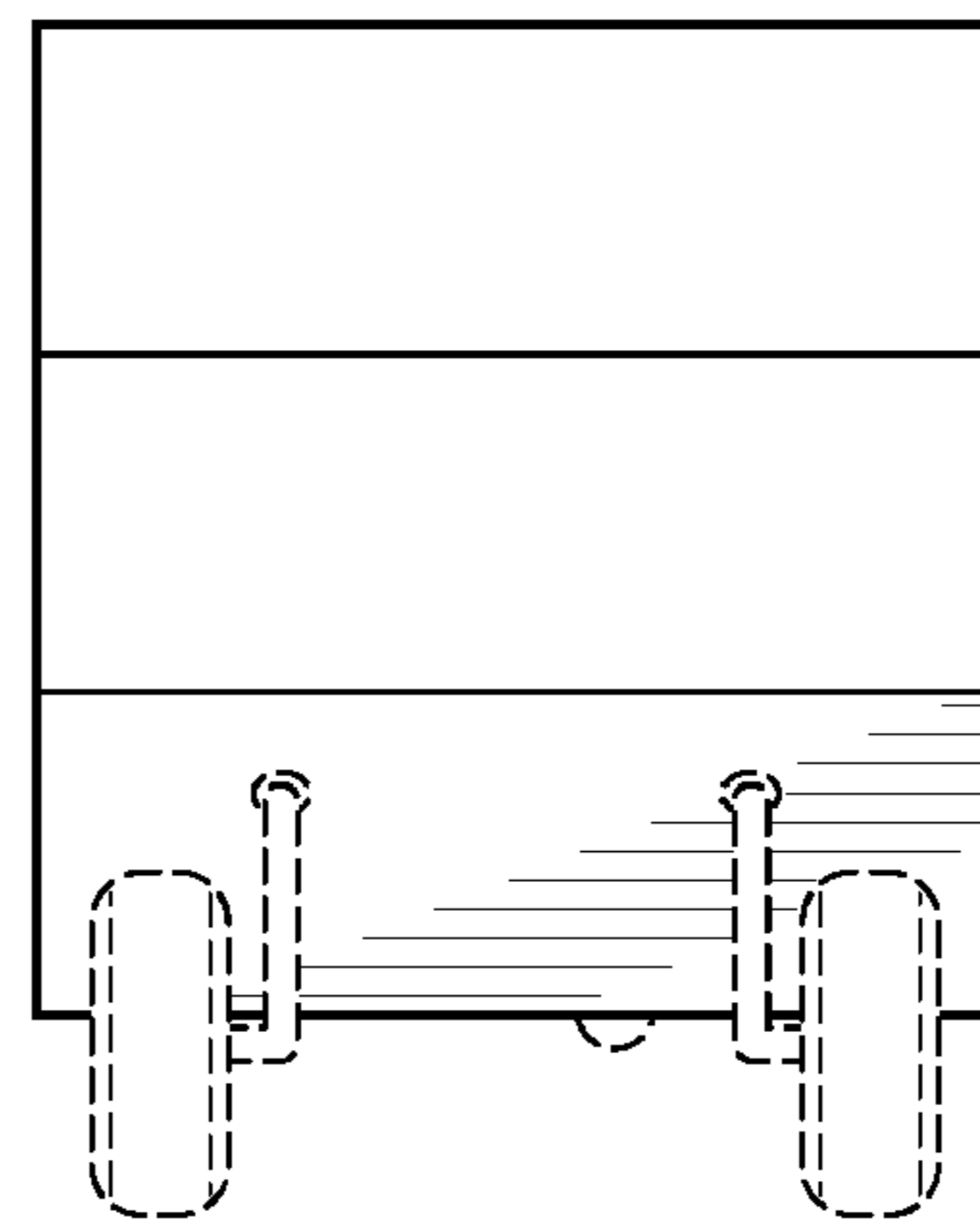
**FIG. 4**



**FIG. 5**



**FIG. 6**



**FIG. 7**