



US00D637458S

(12) **United States Design Patent**  
**Harbinson**

(10) **Patent No.:** **US D637,458 S**

(45) **Date of Patent:** **\*\* May 10, 2011**

(54) **LUNCH BOX**

(75) Inventor: **Dale Harbinson**, Park Orchards (AU)

(73) Assignee: **Smash Enterprises Pty Ltd** (AU)

(\*\*) Term: **14 Years**

(21) Appl. No.: **29/364,598**

(22) Filed: **Jun. 25, 2010**

(30) **Foreign Application Priority Data**

May 4, 2010 (AU) ..... 201011727

(51) **LOC (9) Cl.** ..... **07-01**

(52) **U.S. Cl.** ..... **D7/601; D7/709**

(58) **Field of Classification Search** ..... D7/601,  
D7/629, 602, 709, 612-615, 628, 606; D9/643,  
D9/644, 428, 429; D3/273, 274, 201, 203.1-203.8,  
D3/263-269; 220/574-575, 708-806, 4.21;  
206/457, 216, 217, 541-548

See application file for complete search history.

(56) **References Cited**

**U.S. PATENT DOCUMENTS**

3,025,947 A \* 3/1962 Hammer ..... 206/545  
D336,409 S \* 6/1993 Kahl et al. .... D7/709  
D343,768 S \* 2/1994 Cautereels et al. .... D7/629  
D376,074 S \* 12/1996 Vossoughi et al. .... D7/629

D412,898 S \* 8/1999 Adams et al. .... D14/402  
D449,442 S \* 10/2001 Snider ..... D3/294  
D593,812 S \* 6/2009 Champkins ..... D7/629

**FOREIGN PATENT DOCUMENTS**

AU 322864 12/2008  
JP 8196323 8/1996

\* cited by examiner

*Primary Examiner* — Terry Wallace

(74) *Attorney, Agent, or Firm* — Hanley, Flight,  
Zimmerman, LLC

(57) **CLAIM**

The ornamental design for the lunch box, as shown and described.

**DESCRIPTION**

FIG. 1 is a perspective view of a lunch box with a closed lid.  
FIG. 2 is a perspective view of the lunch box of FIG. 1 with an opened lid.

FIG. 3 is a front view of the lunch box of FIG. 1.

FIG. 4 is a top view of the lunch box of FIG. 1.

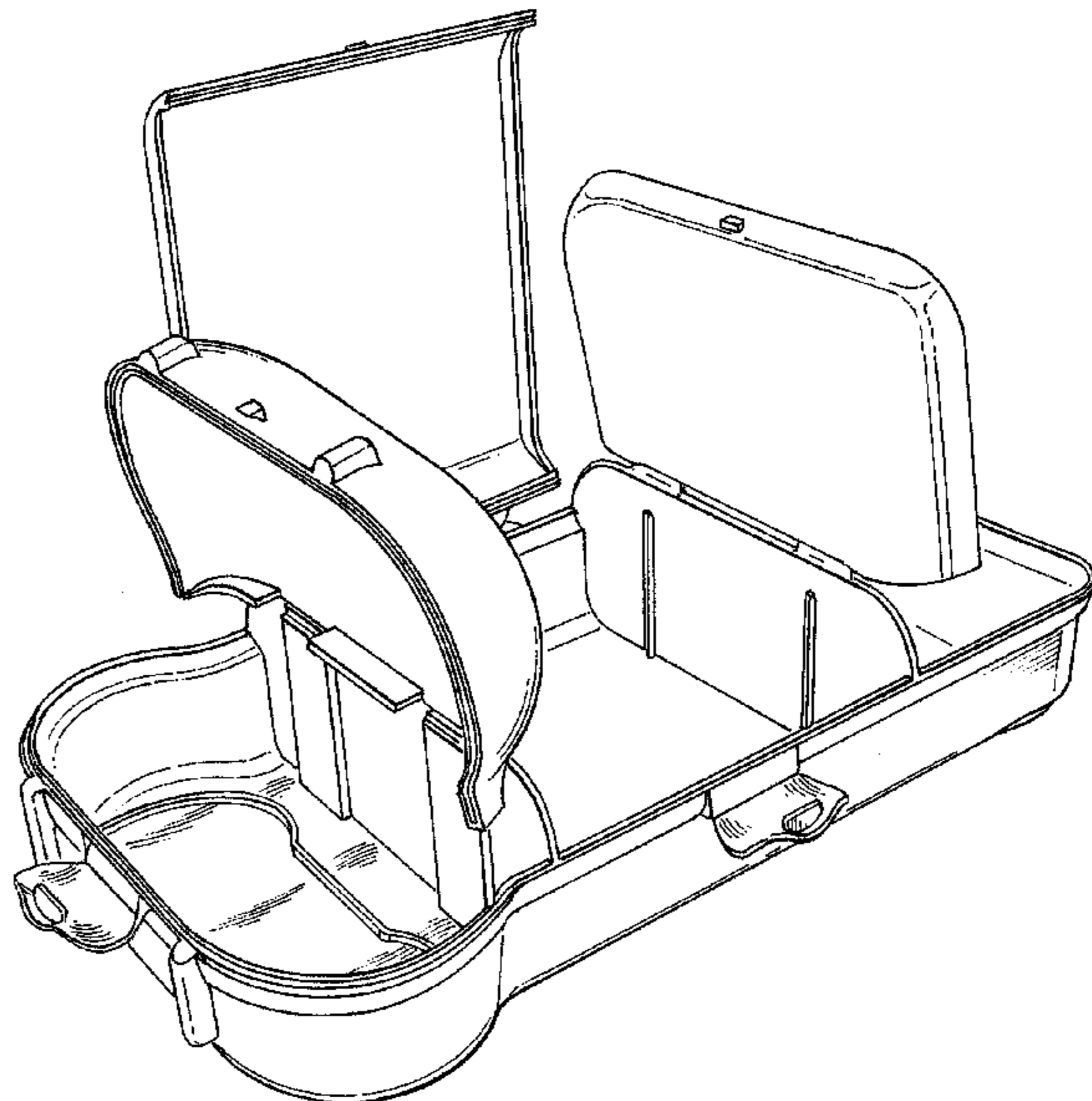
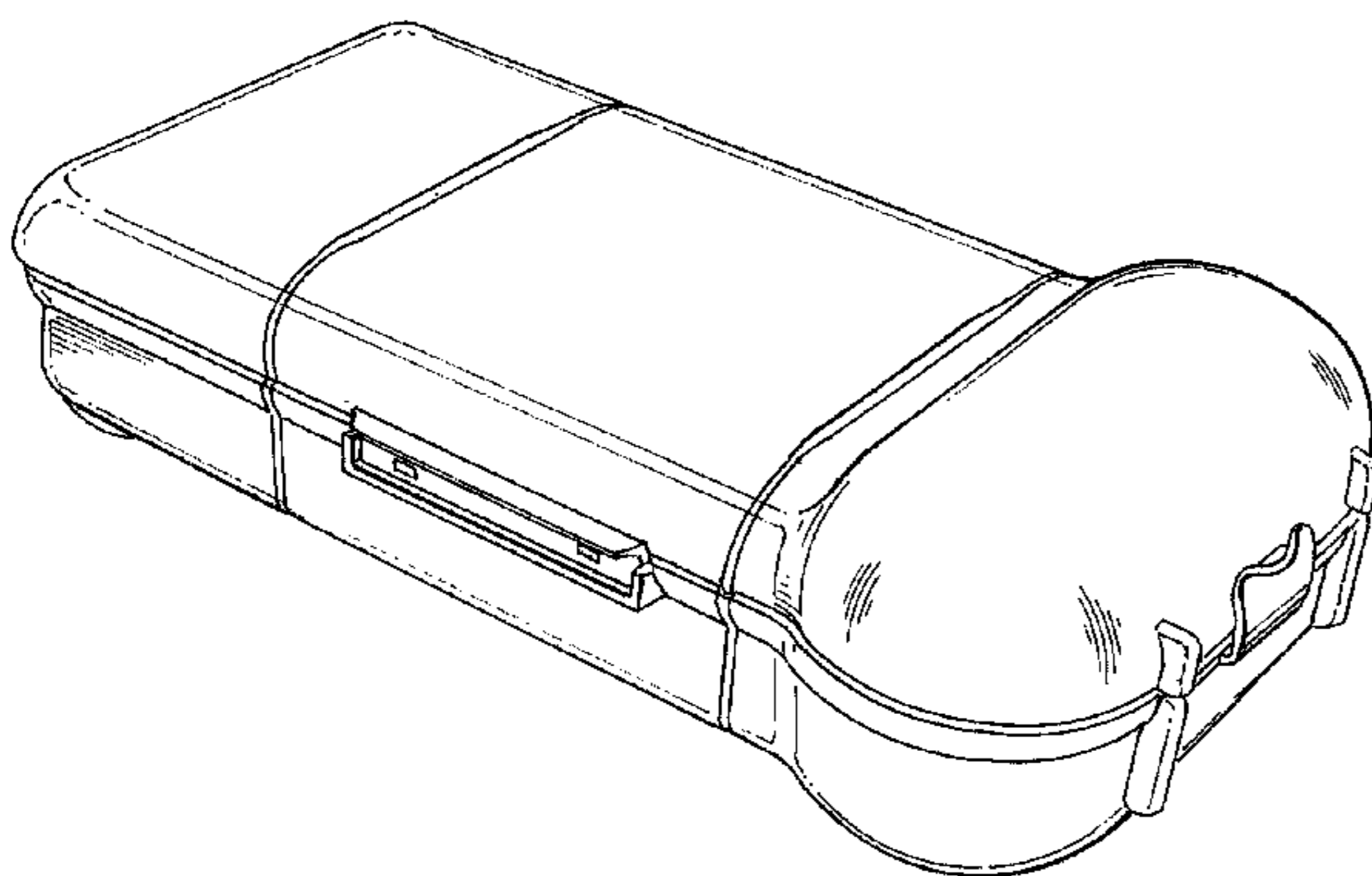
FIG. 5 is a bottom view of the lunch box of FIG. 1.

FIG. 6 is a rear view of the lunch box of FIG. 1.

FIG. 7 is a side view of the lunch box of FIG. 1 from side A of FIG. 3; and,

FIG. 8 is a side view of the lunch box of FIG. 1 from side B of FIG. 3.

**1 Claim, 2 Drawing Sheets**



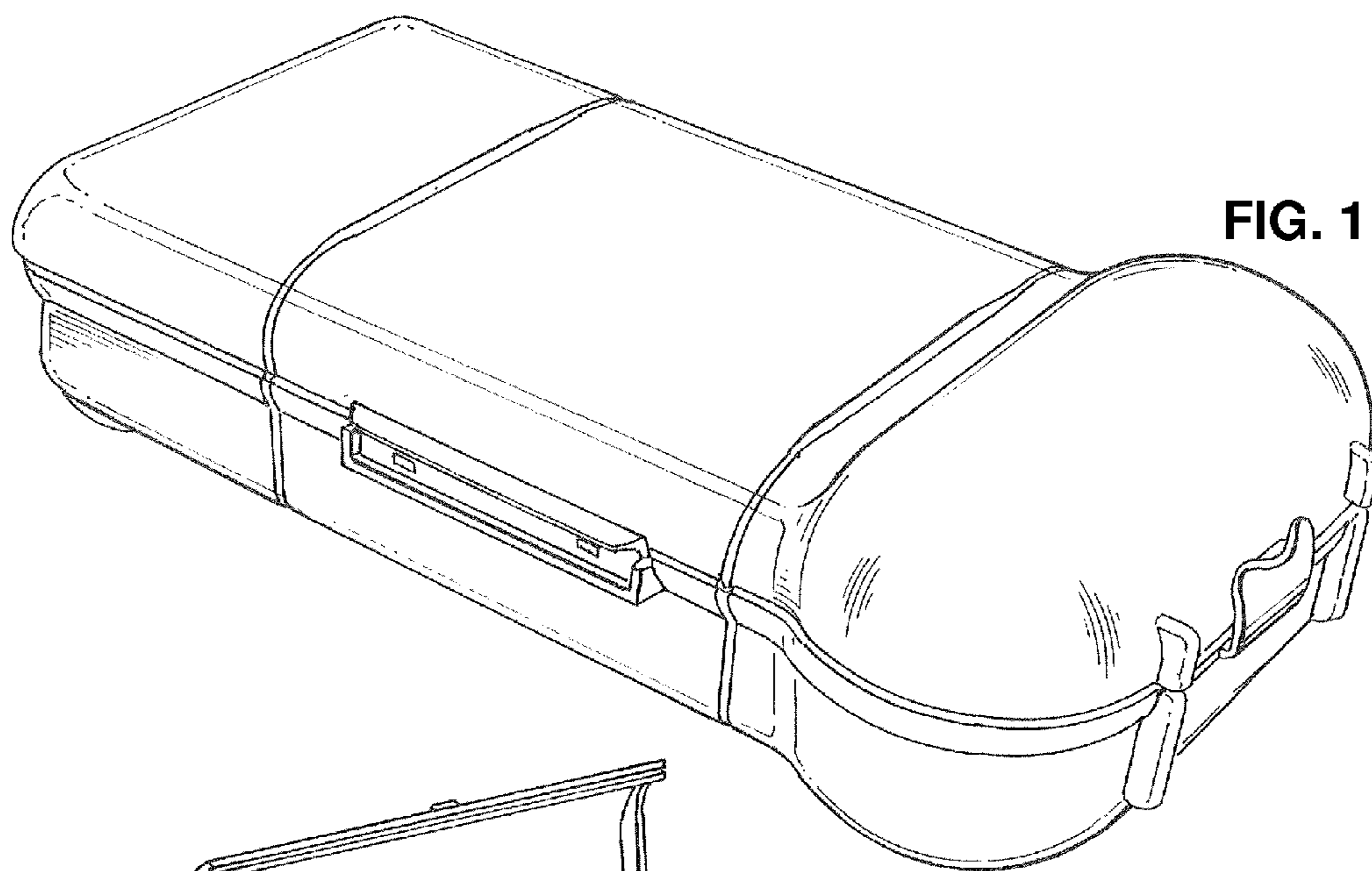


FIG. 1

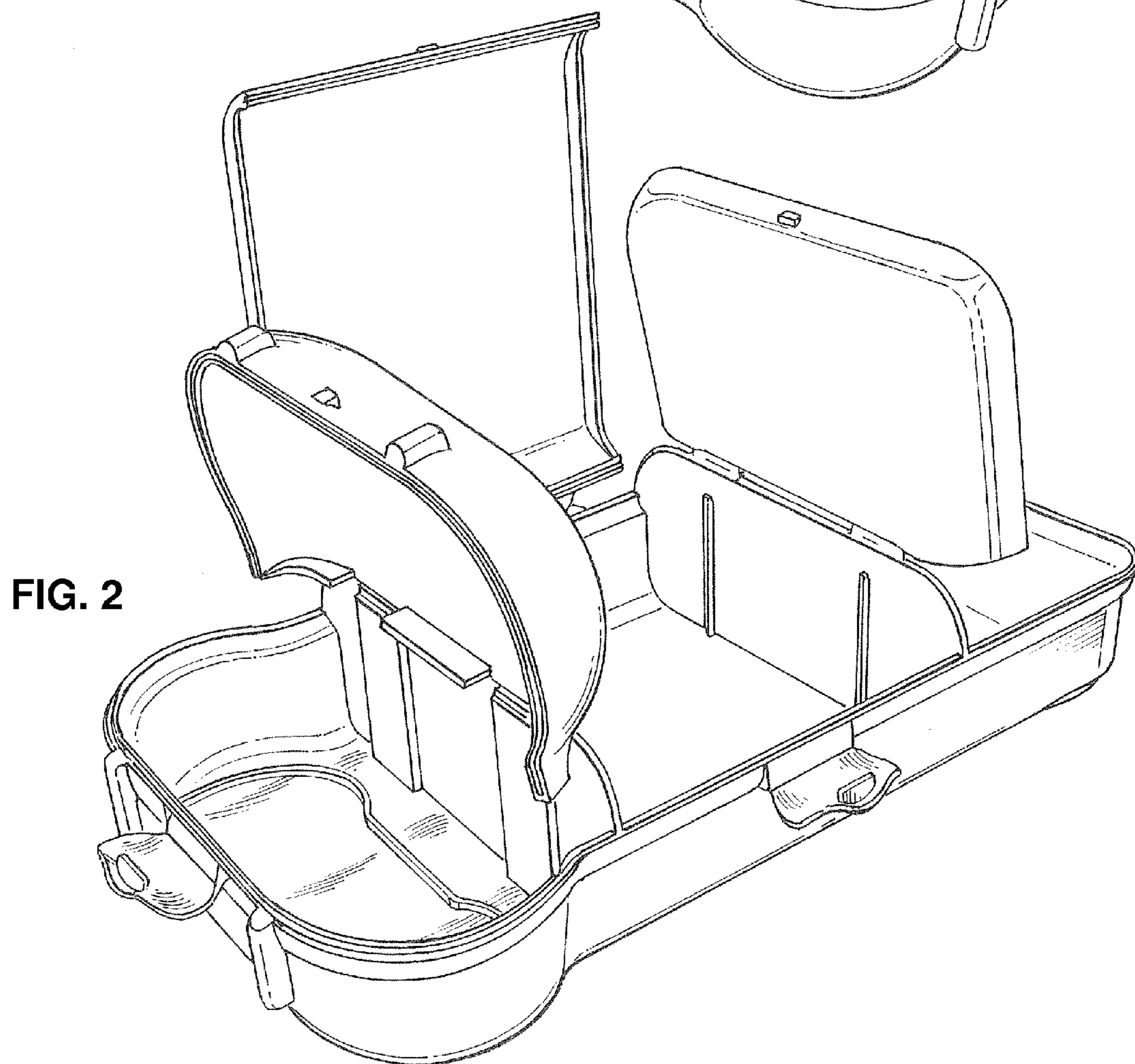


FIG. 2

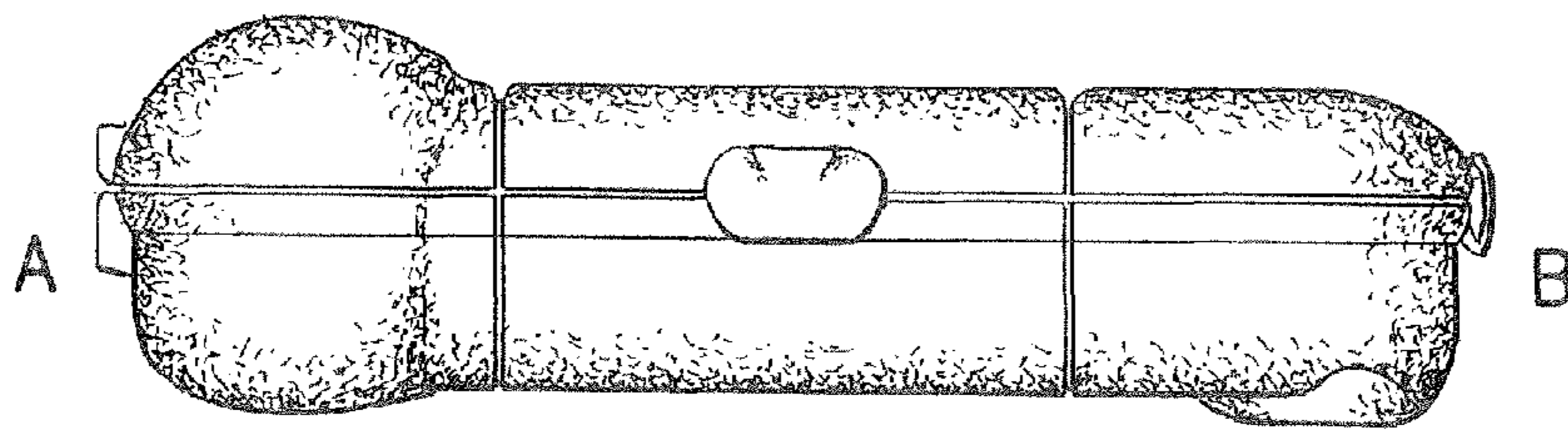


FIG. 3

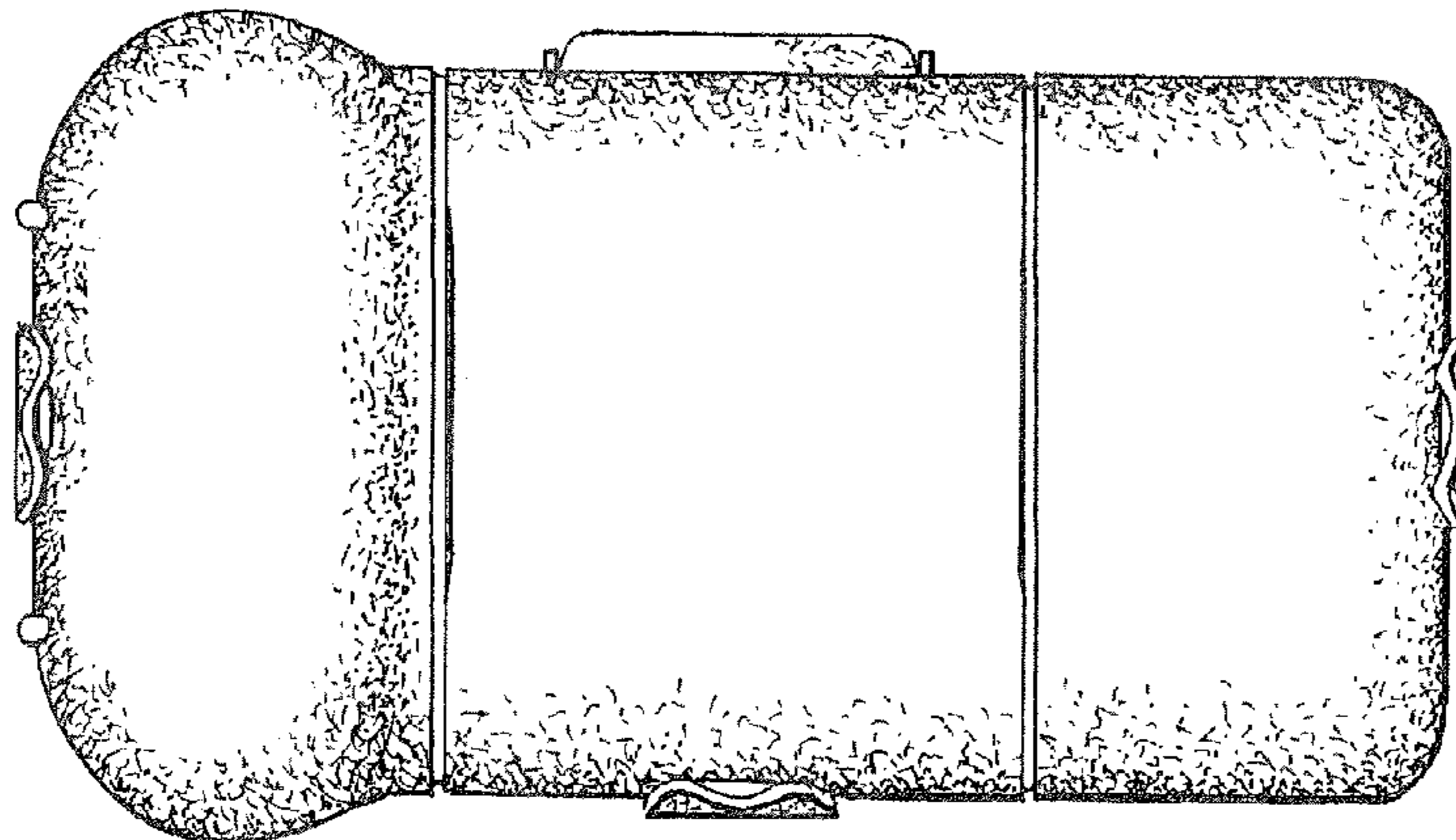


FIG. 4

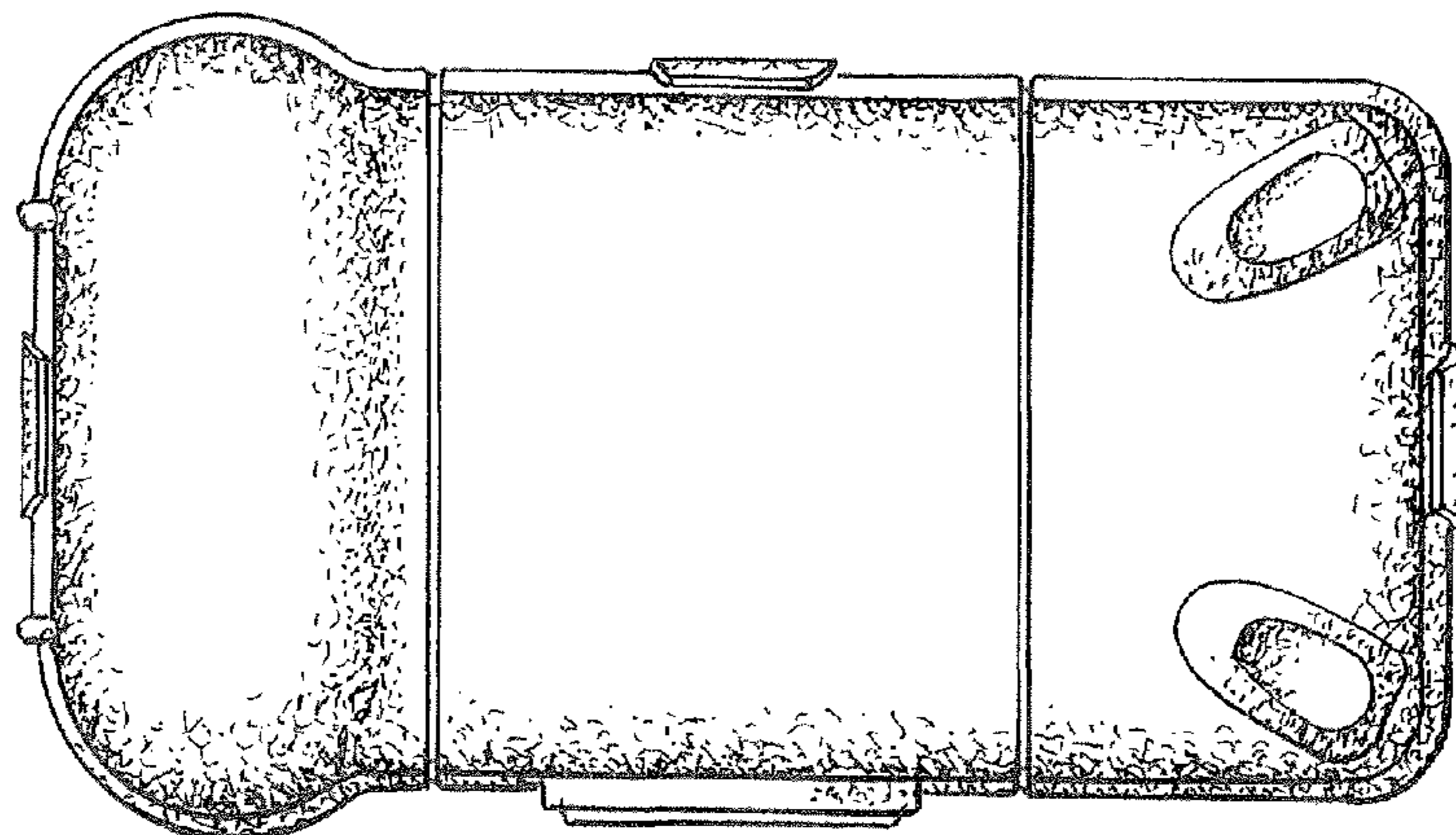


FIG. 5

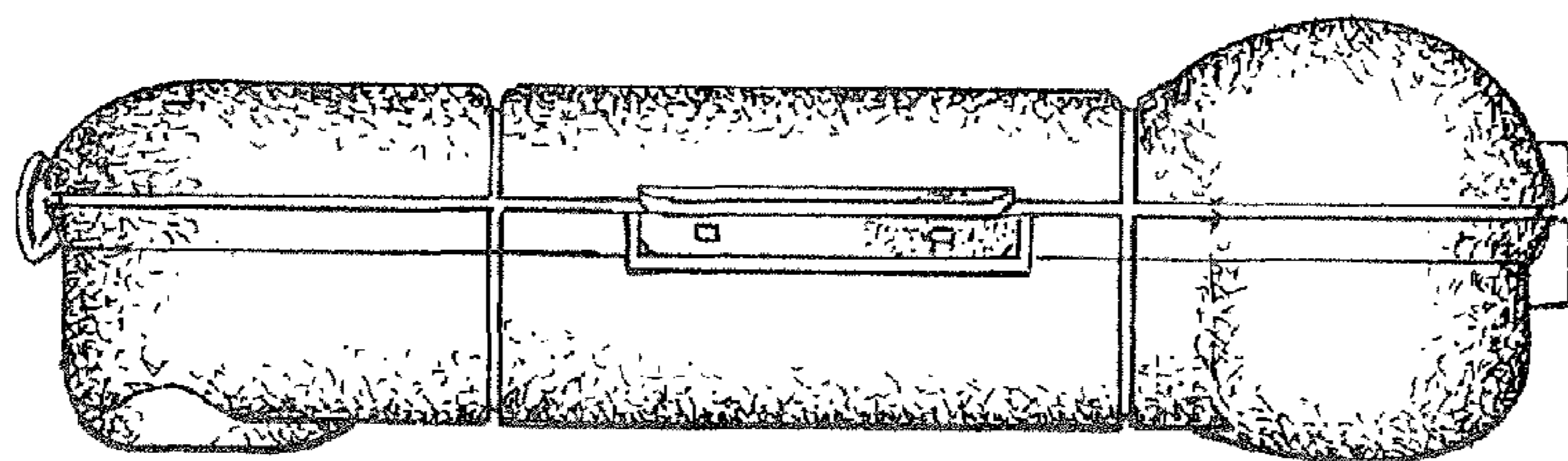


FIG. 6

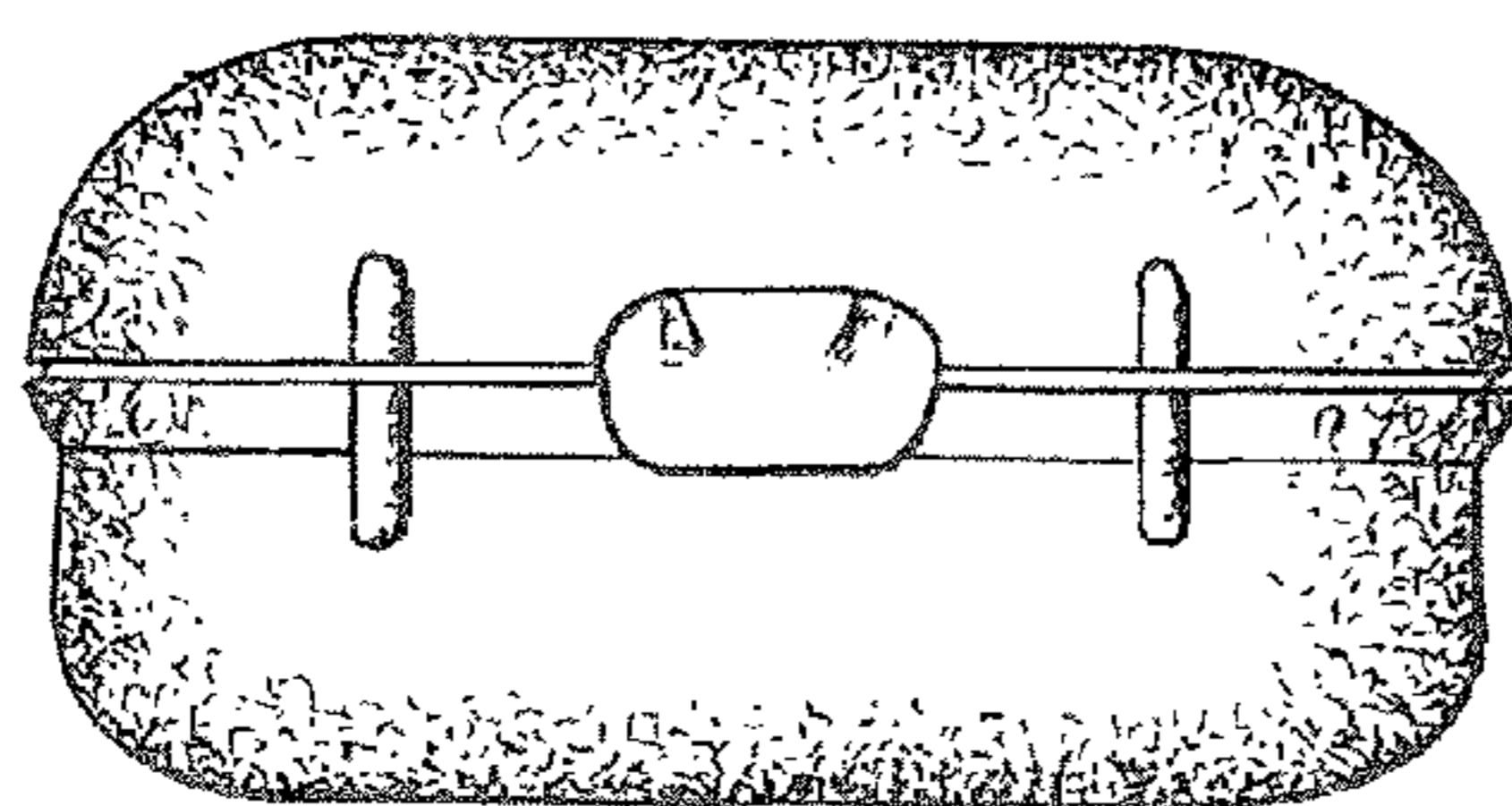


FIG. 7

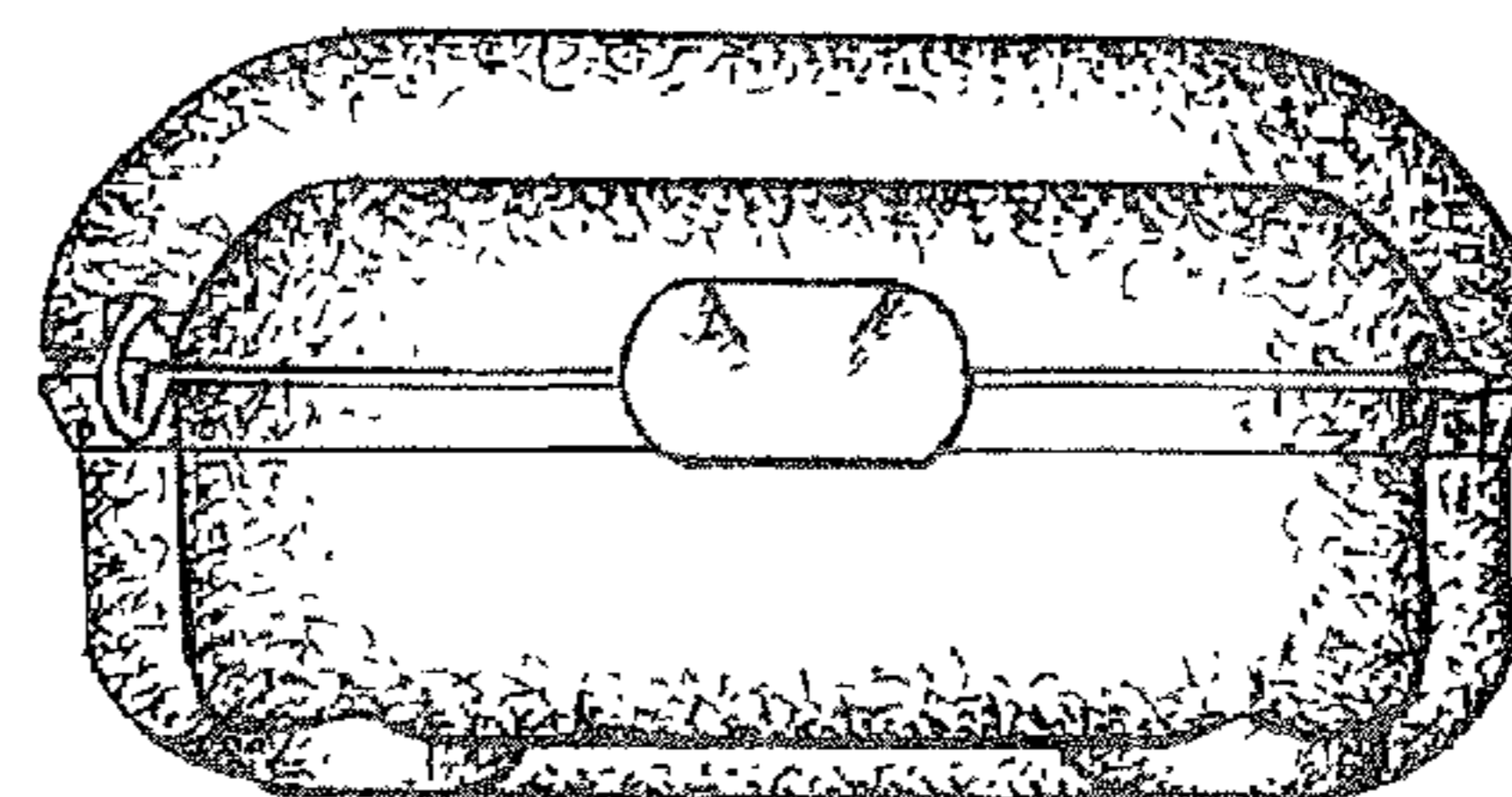


FIG. 8