



US00D637457S

(12) **United States Design Patent**
Thompson

(10) **Patent No.:** **US D637,457 S**

(45) **Date of Patent:** **** May 10, 2011**

(54) **SPICE BOTTLE HOLDER**

(76) Inventor: **Alan S. Thompson**, Kelley, IA (US)

(**) Term: **14 Years**

(21) Appl. No.: **29/375,589**

(22) Filed: **Sep. 24, 2010**

(51) **LOC (9) Cl.** **07-06**

(52) **U.S. Cl.** **D7/600.1; D7/620**

(58) **Field of Classification Search** D7/600.1-600.4,
D7/619.1, 620, 701, 707, 708; D6/515, 553;
248/311.2, 309.1, 313; 211/74; 224/448,
224/441, 545, 547, 548, 549, 558, 926, 270
See application file for complete search history.

(56) **References Cited**

U.S. PATENT DOCUMENTS

658,042	A	9/1900	Mendel	
1,354,983	A	10/1920	Lloyd	
1,389,984	A	9/1921	Reed	
1,655,881	A	1/1928	Steeves	
156,729	A	1/1950	Hampe et al.	
2,508,945	A	5/1950	Heuer	
2,614,519	A *	10/1952	Paladino	248/313
2,616,751	A	11/1952	Goldenberg	
3,295,474	A	1/1967	Ornstein	
D207,411	S	4/1967	Diesinger et al.	
3,946,877	A	3/1976	Galicia	
4,049,126	A	9/1977	Halverson	
D252,429	S	7/1979	Morin	
D262,337	S	12/1981	Bateman et al.	
4,350,253	A	9/1982	Rusteberg	
4,378,889	A	4/1983	Lebowitz	
4,422,555	A	12/1983	Jacobs	
D273,162	S	3/1984	Halverson	
4,637,580	A	1/1987	Idstein	
4,795,121	A	1/1989	Comito	
4,848,714	A *	7/1989	Ziaylek et al.	248/313
4,941,577	A	7/1990	Ferree et al.	
D326,927	S *	6/1992	Catalina	D26/138
5,358,128	A	10/1994	Belokin et al.	
D353,840	S *	12/1994	Dietterich et al.	D19/85
D361,461	S *	8/1995	Linzenbold	D6/556

D367,999	S *	3/1996	McCallum	D7/620
5,655,673	A	8/1997	Weterrings et al.	
6,811,042	B2	11/2004	Kelly et al.	
6,905,034	B2	6/2005	Jones	
D510,015	S	9/2005	Hostetler	
6,964,343	B2	11/2005	Tilly	
D550,513	S *	9/2007	Mazza	D7/620
7,275,647	B1	10/2007	Thompson	
7,490,727	B2	2/2009	Spiers et al.	
7,533,776	B2	5/2009	Nickerson	

(Continued)

Primary Examiner — Terry A Wallace

(74) *Attorney, Agent, or Firm* — McKee, Voorhees & Sease, P.L.C.

(57) **CLAIM**

The ornamental design for a spice bottle holder, as shown and described.

DESCRIPTION

FIG. 1 is a front perspective view of a spice bottle holder showing my new design.

FIG. 2 is a rear perspective view thereof.

FIG. 3 is a front elevation view thereof.

FIG. 4 is a rear elevation view thereof.

FIG. 5 is a top plan view thereof.

FIG. 6 is a bottom plan view thereof.

FIG. 7 is a side elevation view thereof, the opposite side being a mirror image.

FIG. 8 is a front perspective view of a second embodiment of FIG. 1.

FIG. 9 is a rear perspective view of FIG. 8.

FIG. 10 is a front elevation view of FIG. 8.

FIG. 11 is a rear elevation view of FIG. 8.

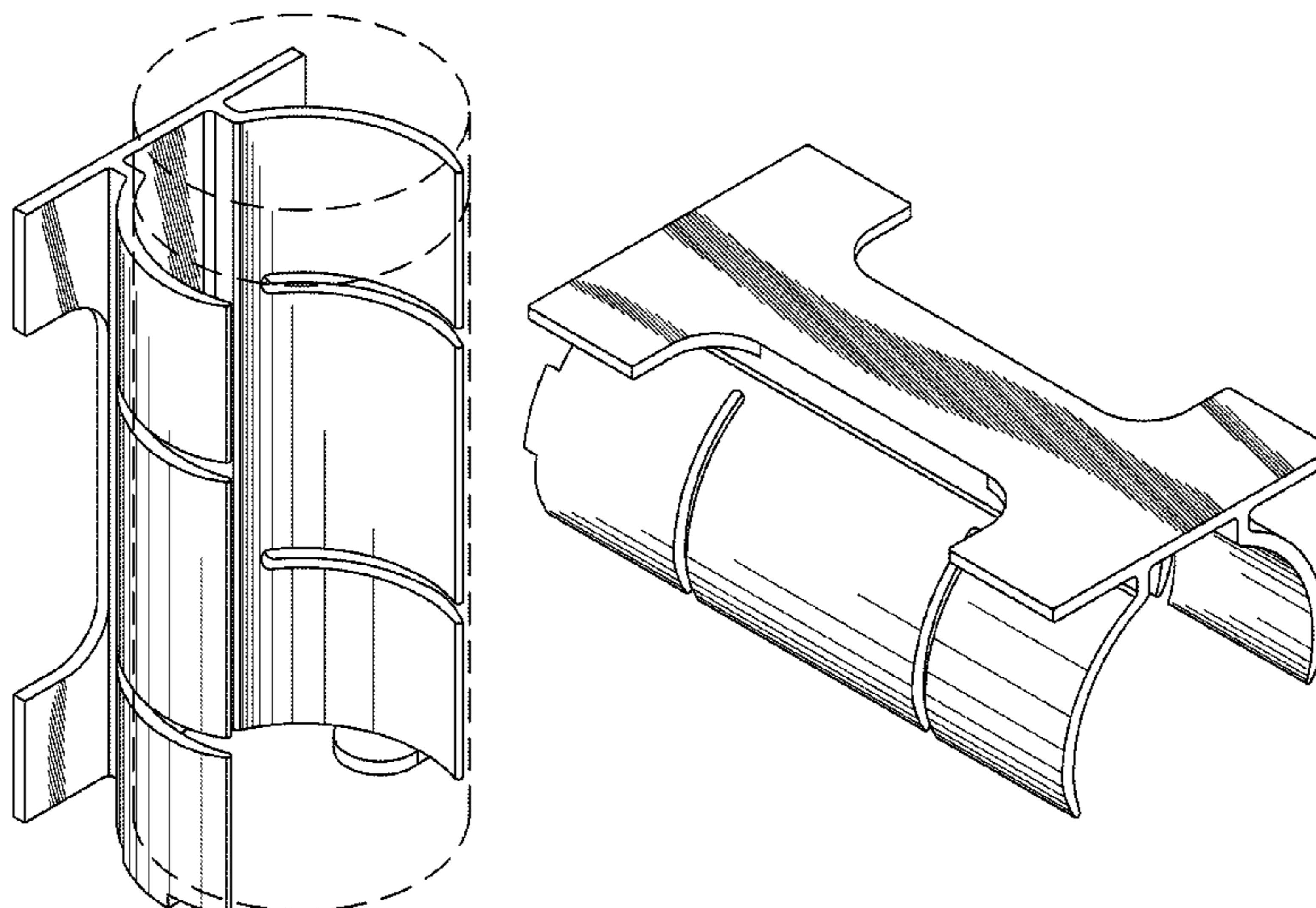
FIG. 12 is a top plan view of FIG. 8.

FIG. 13 is a bottom plan view of FIG. 8; and,

FIG. 14 is a side elevation view of FIG. 8, the opposite side being a mirror image.

The broken lines are for illustrative purposes only and form no part of the claimed design.

1 Claim, 8 Drawing Sheets



US D637,457 S

Page 2

U.S. PATENT DOCUMENTS

D600,067 S *	9/2009	Forsyth	D7/387	2008/0283481 A1	11/2008	Evans et al.
7,591,384 B2	9/2009	Sheckells		2010/0089848 A1	4/2010	Thompson
7,631,770 B2	12/2009	Martin				

* cited by examiner

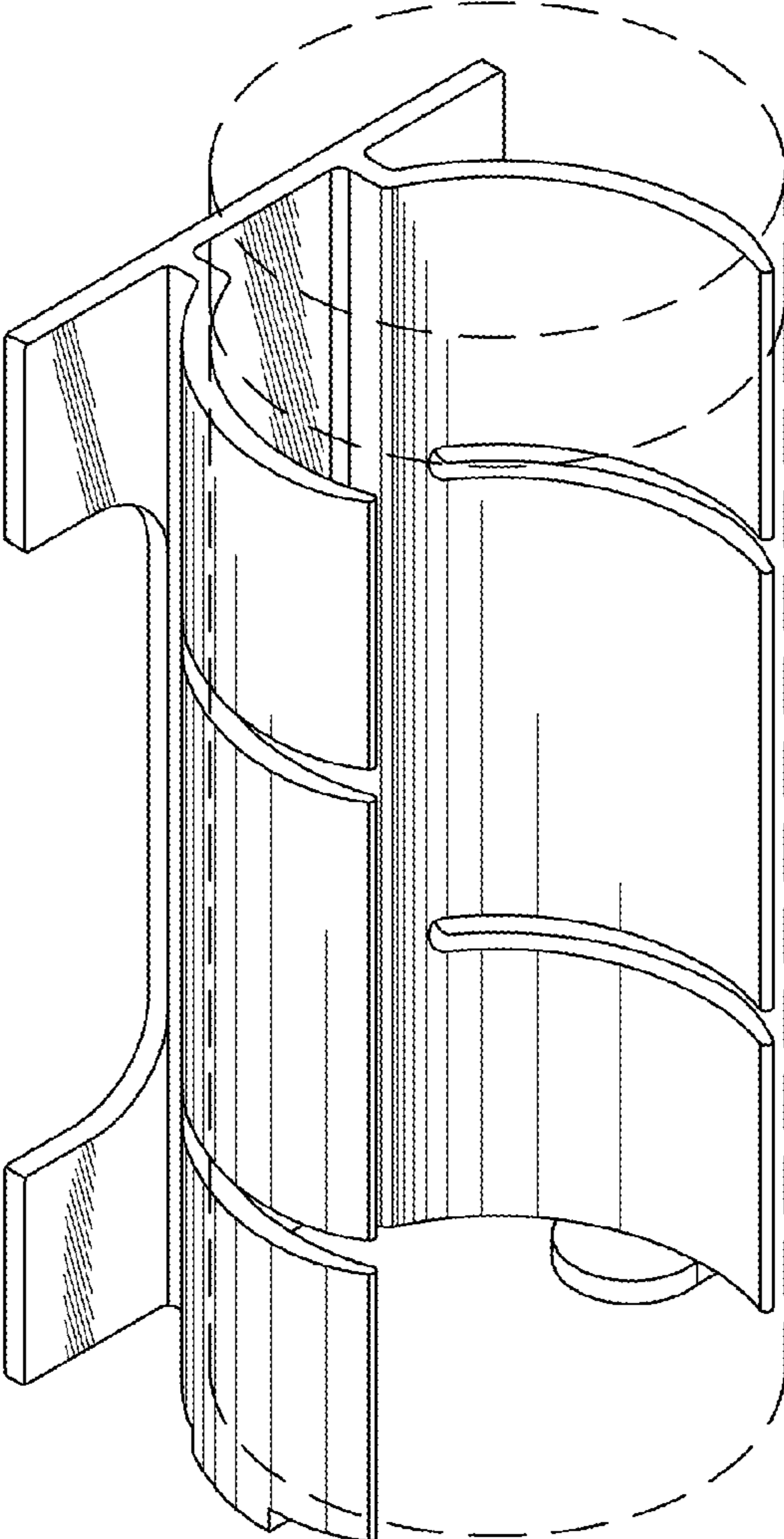


Fig. 1

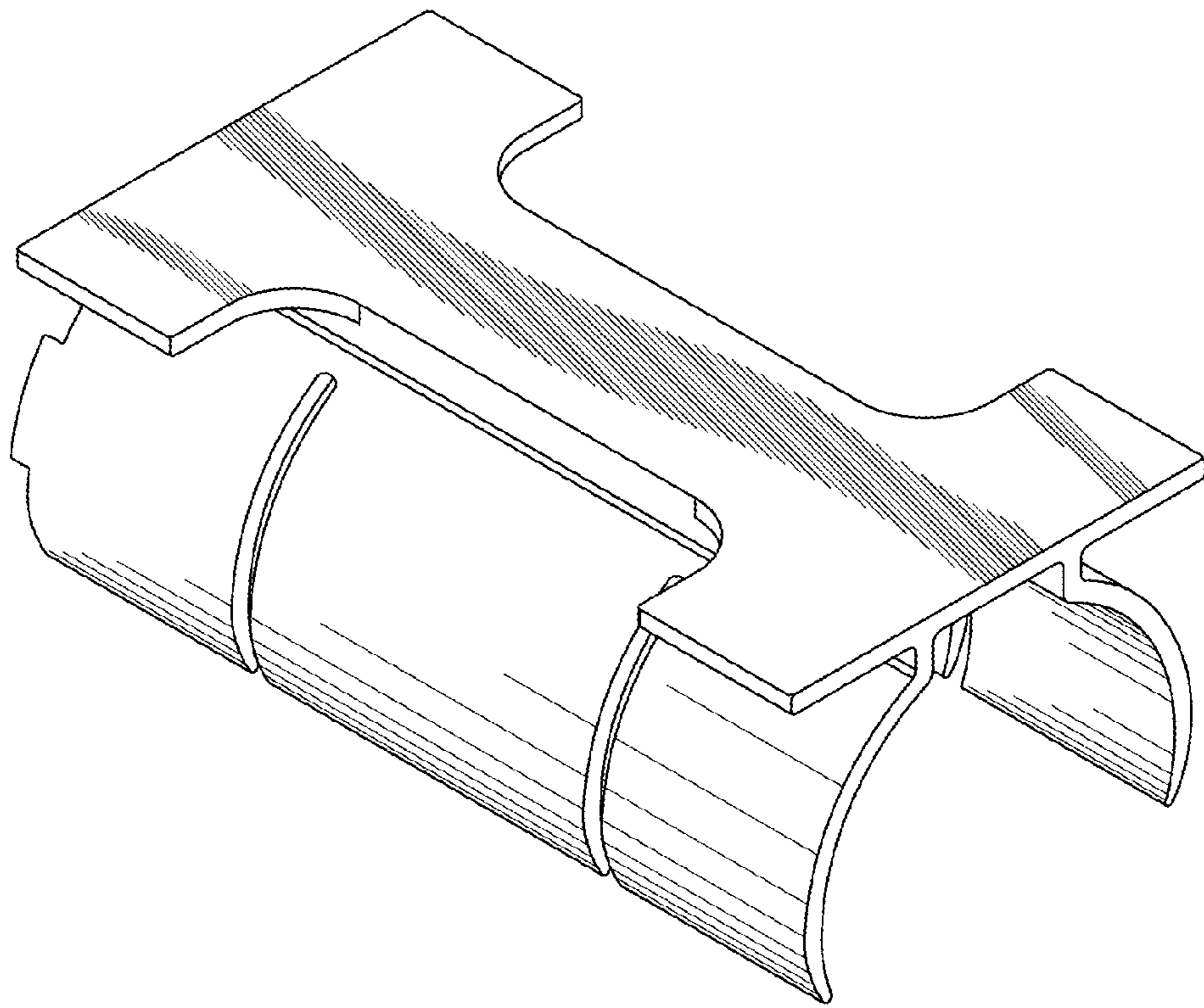


Fig. 2

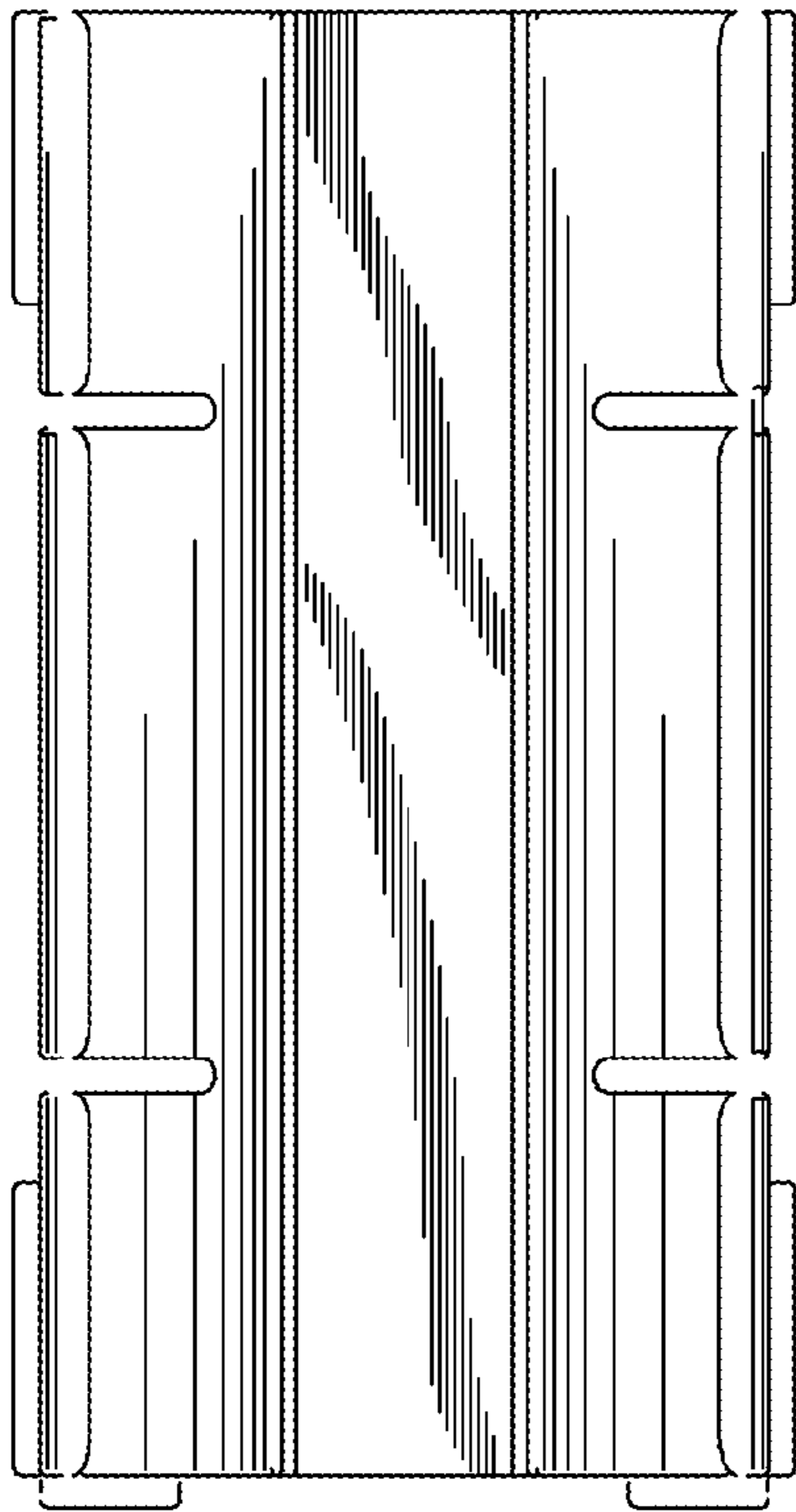


Fig. 3

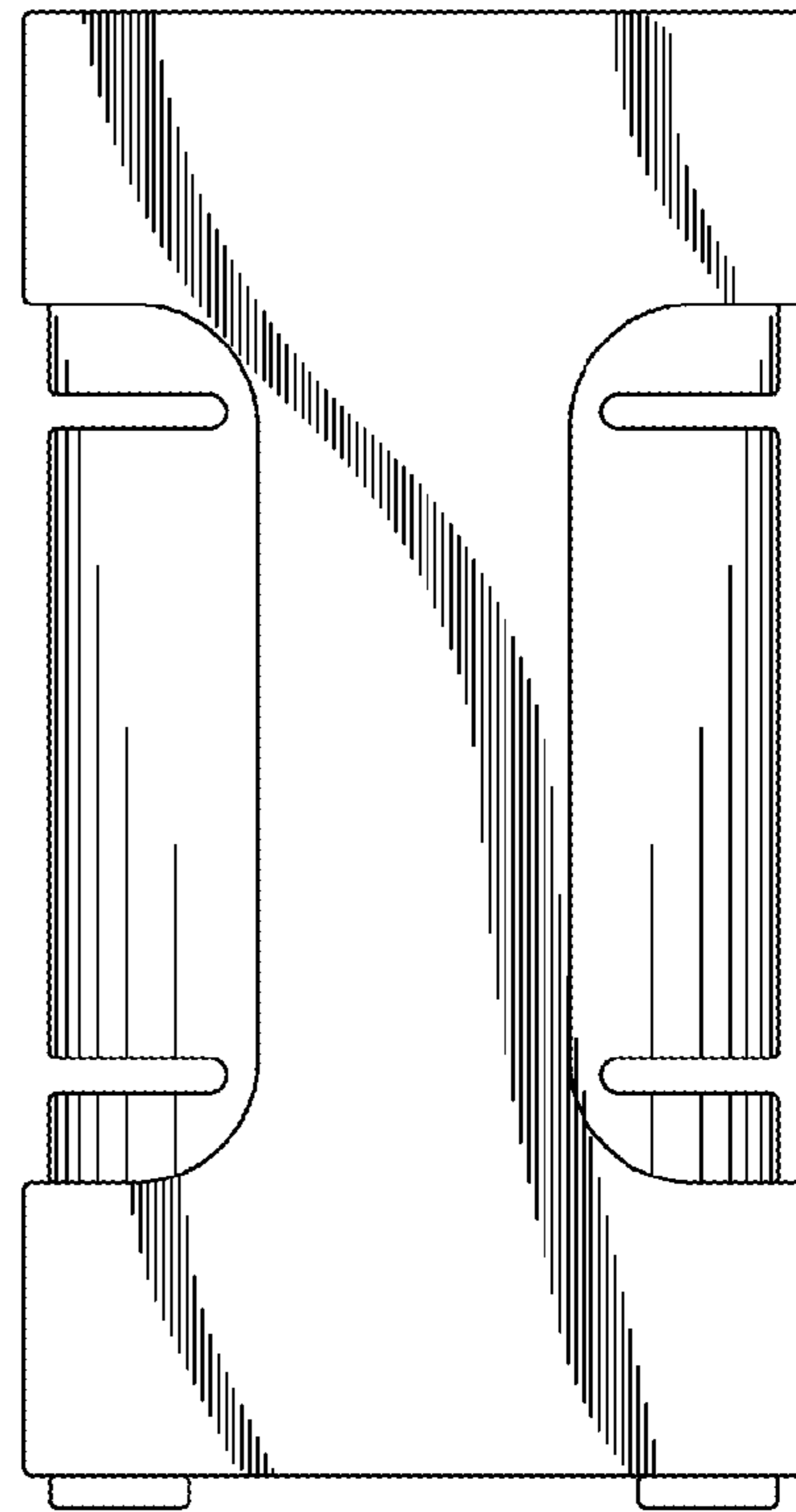


Fig. 4

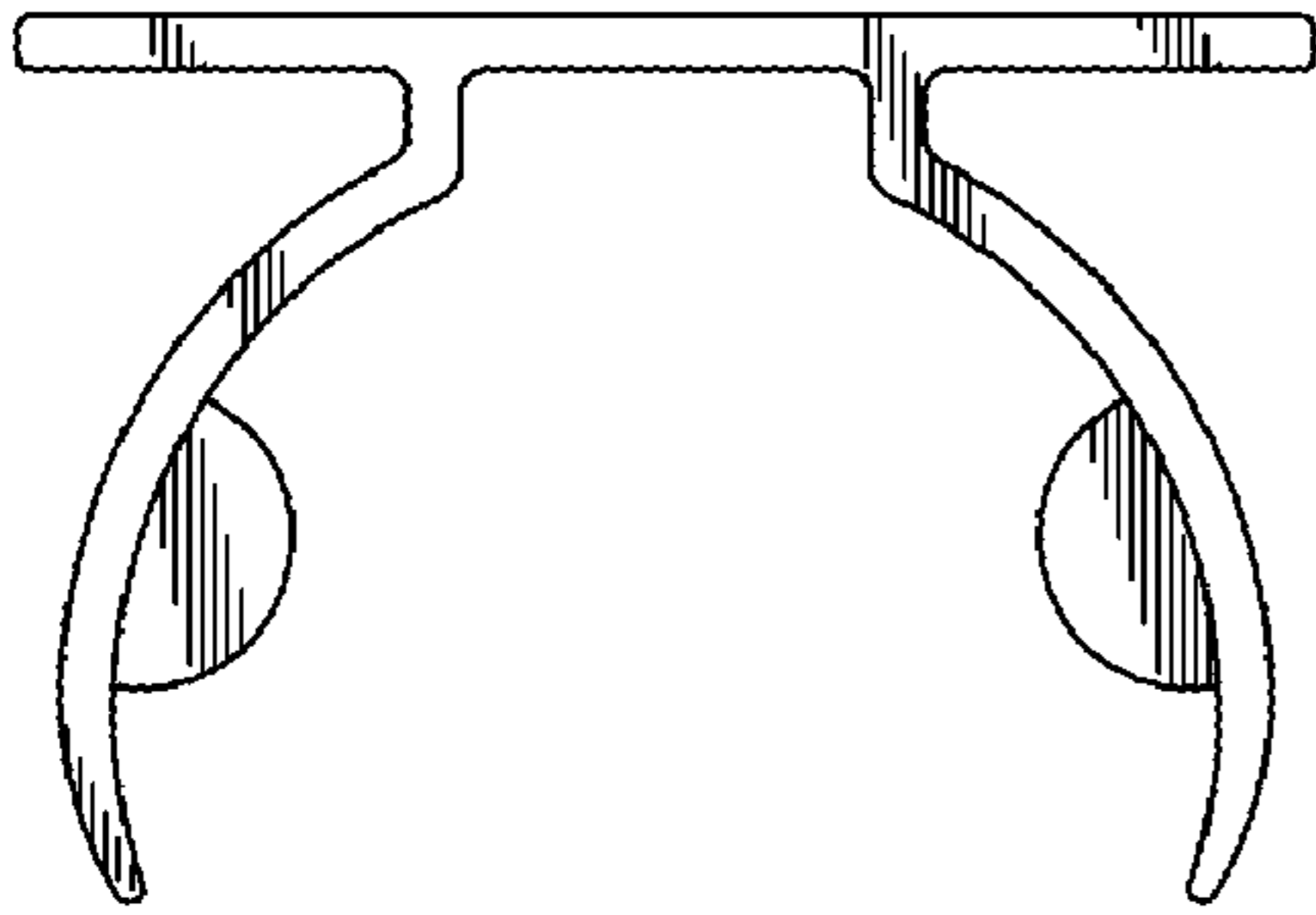


Fig. 5

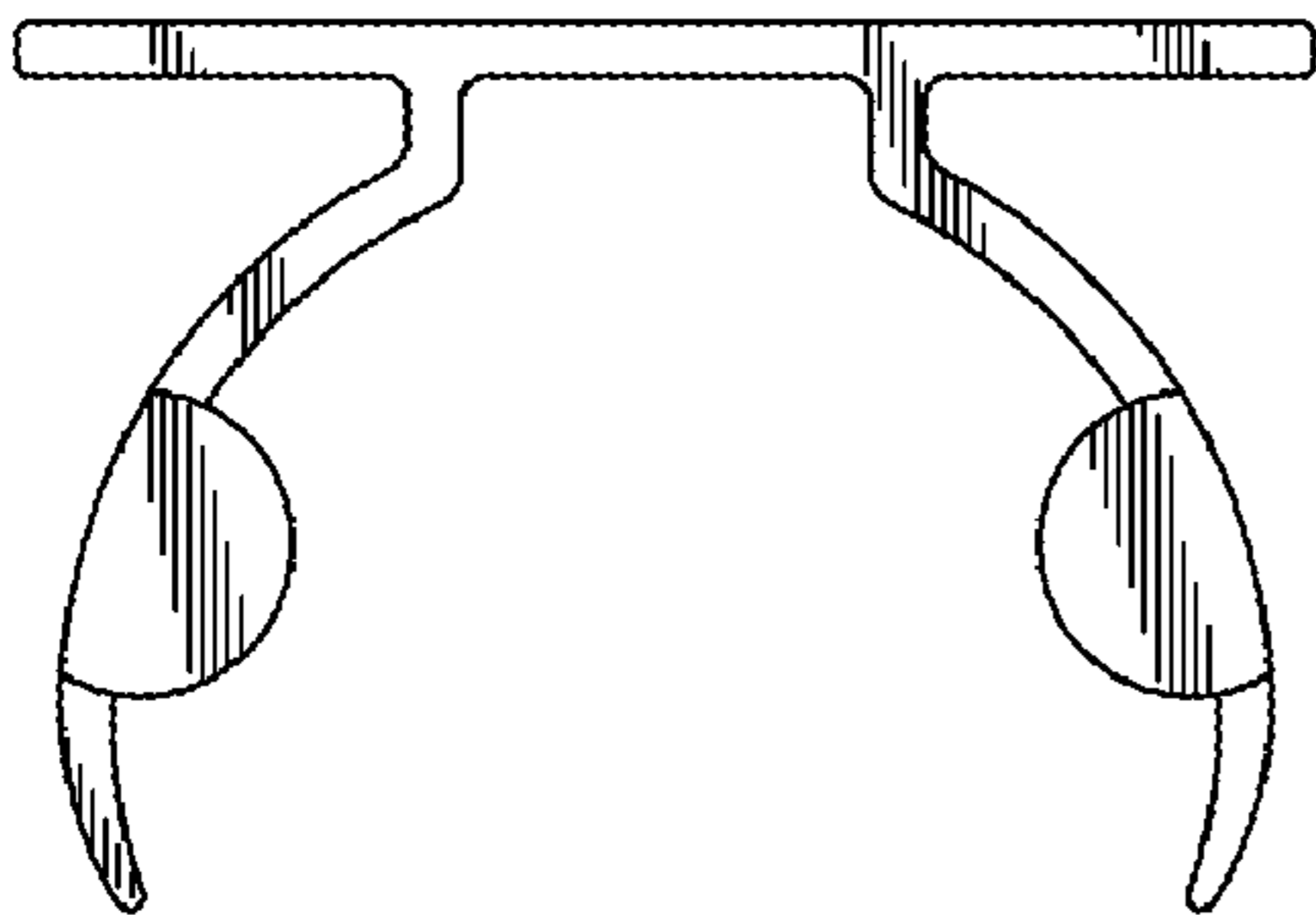


Fig. 6

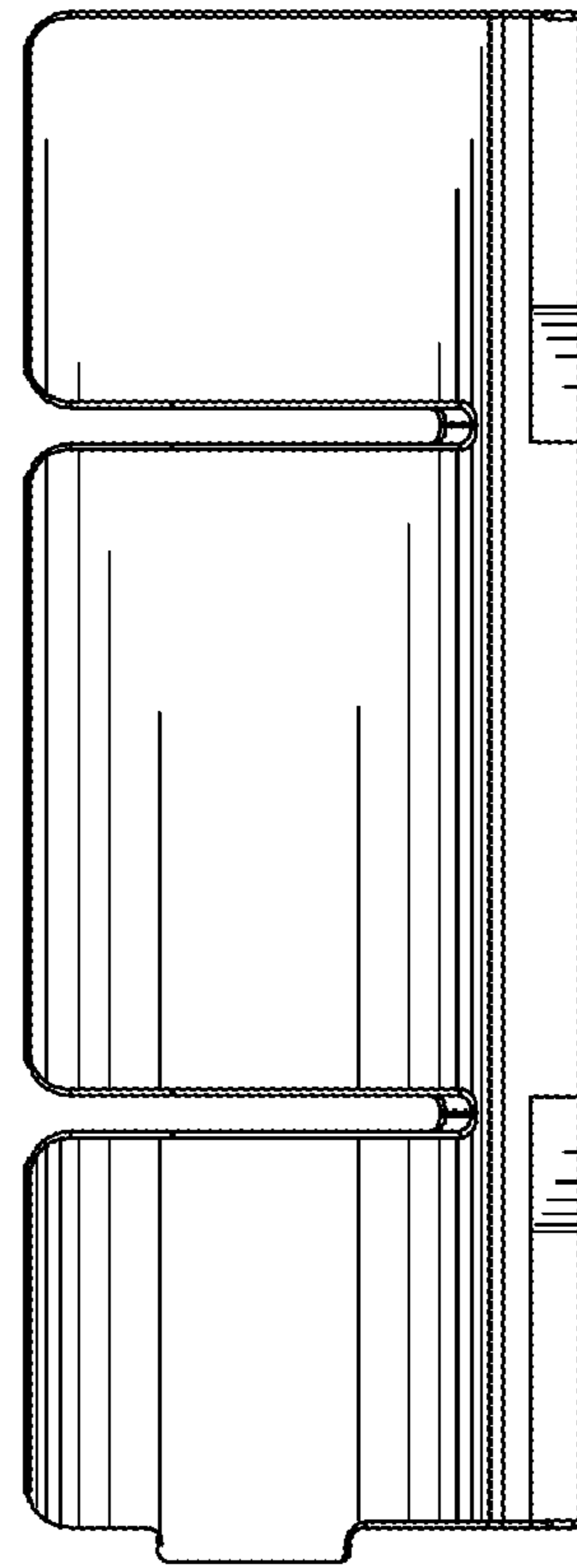


Fig. 7

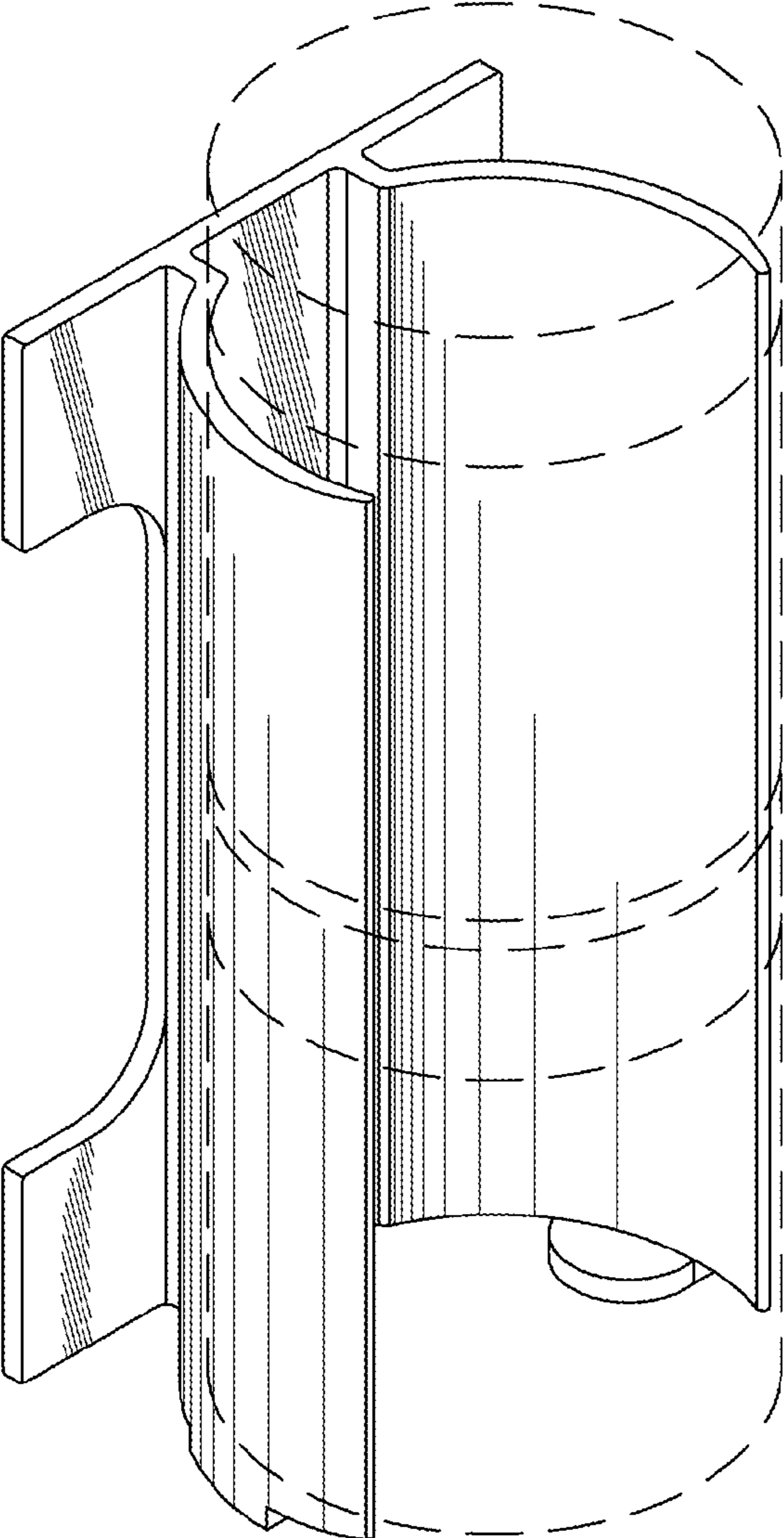


Fig. 8

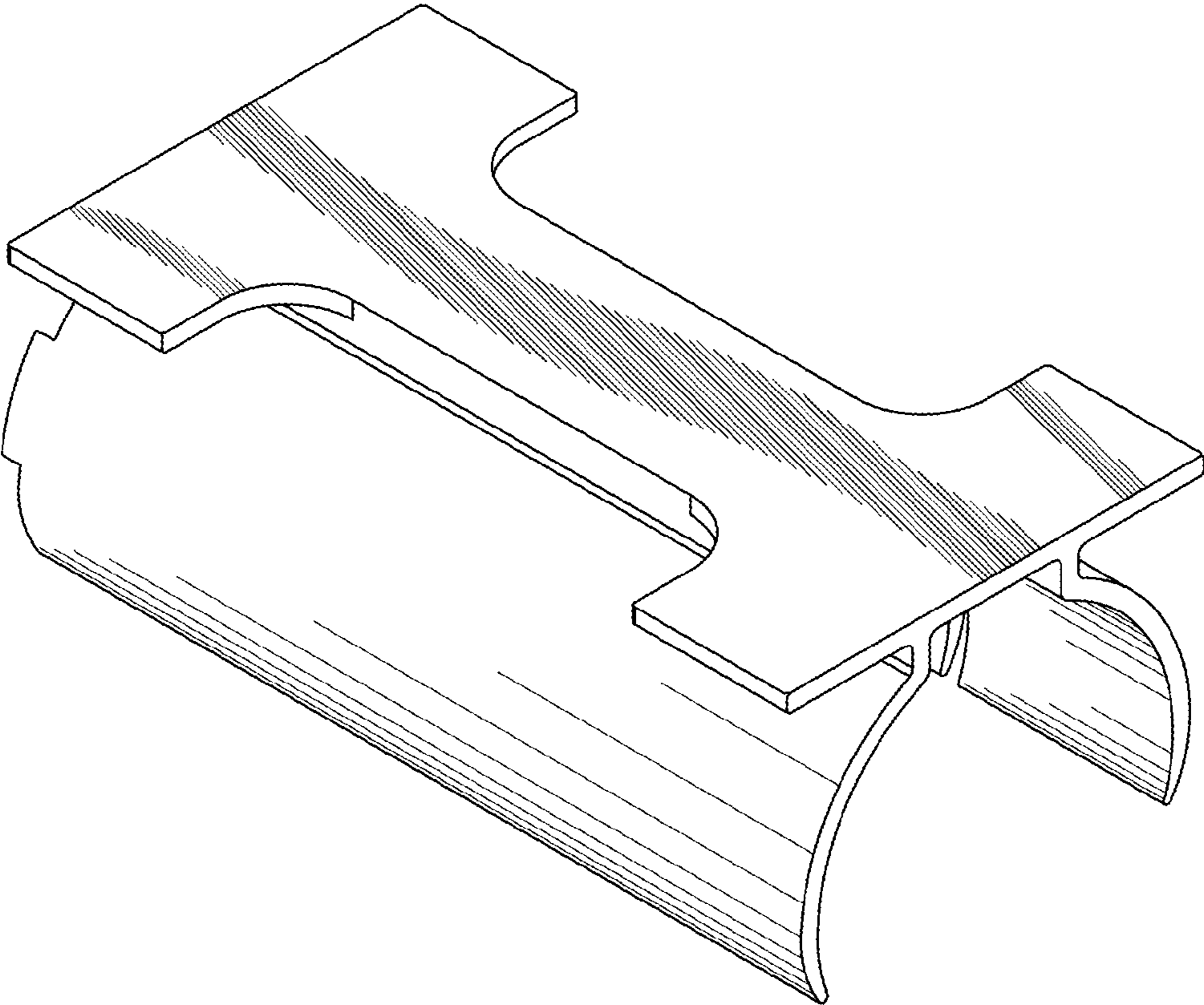


Fig. 9

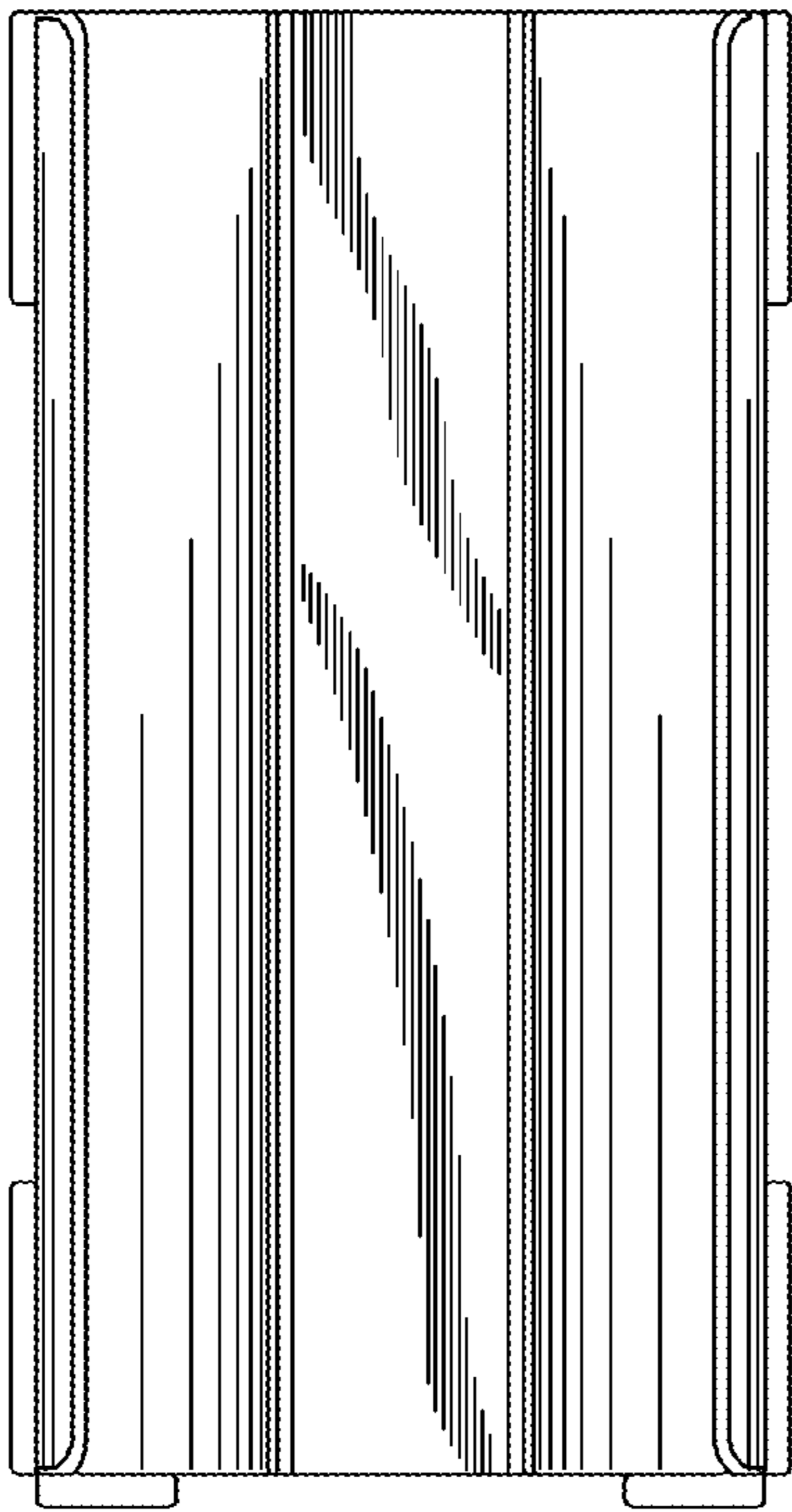


Fig. 10

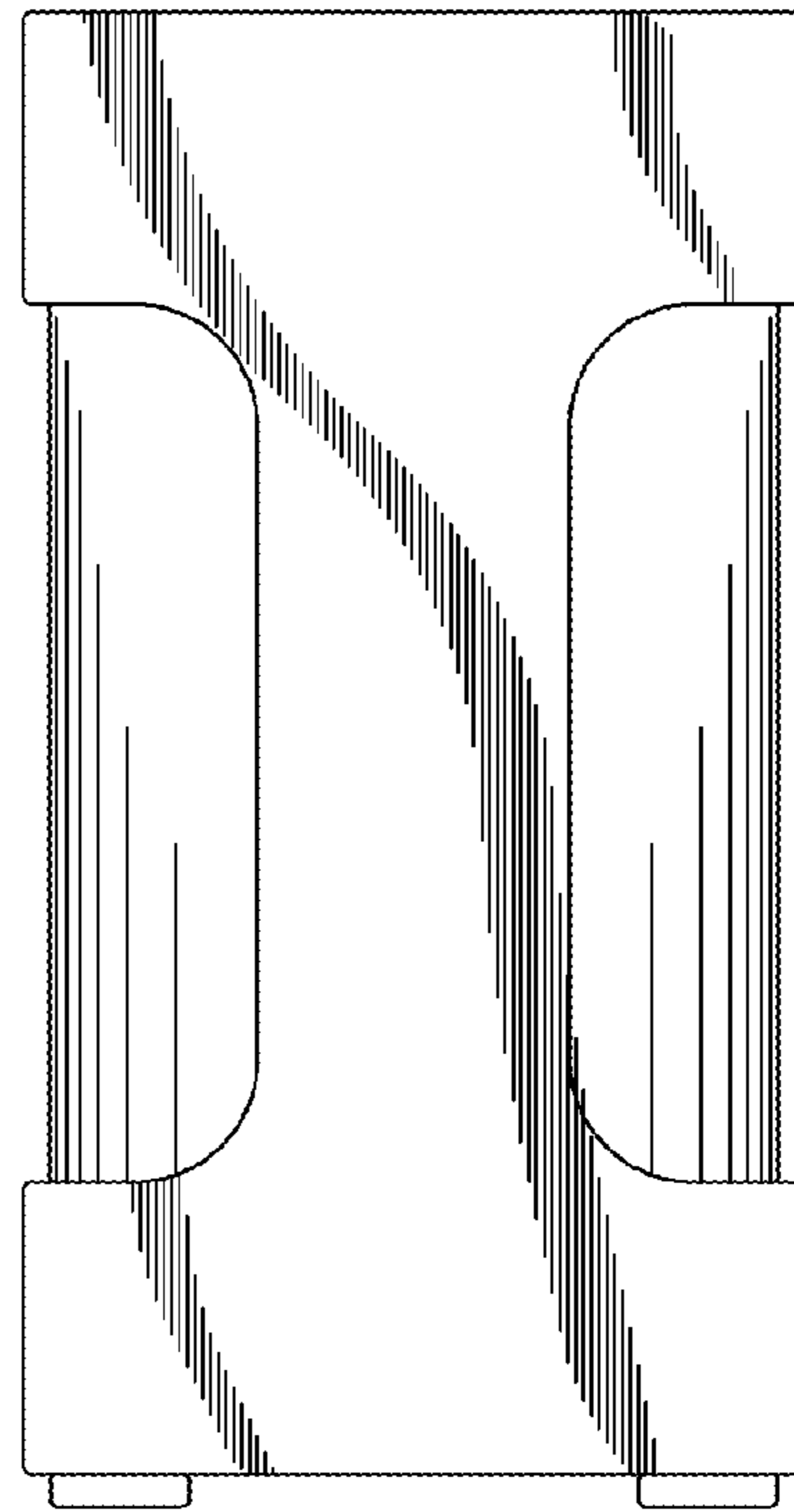


Fig. 11

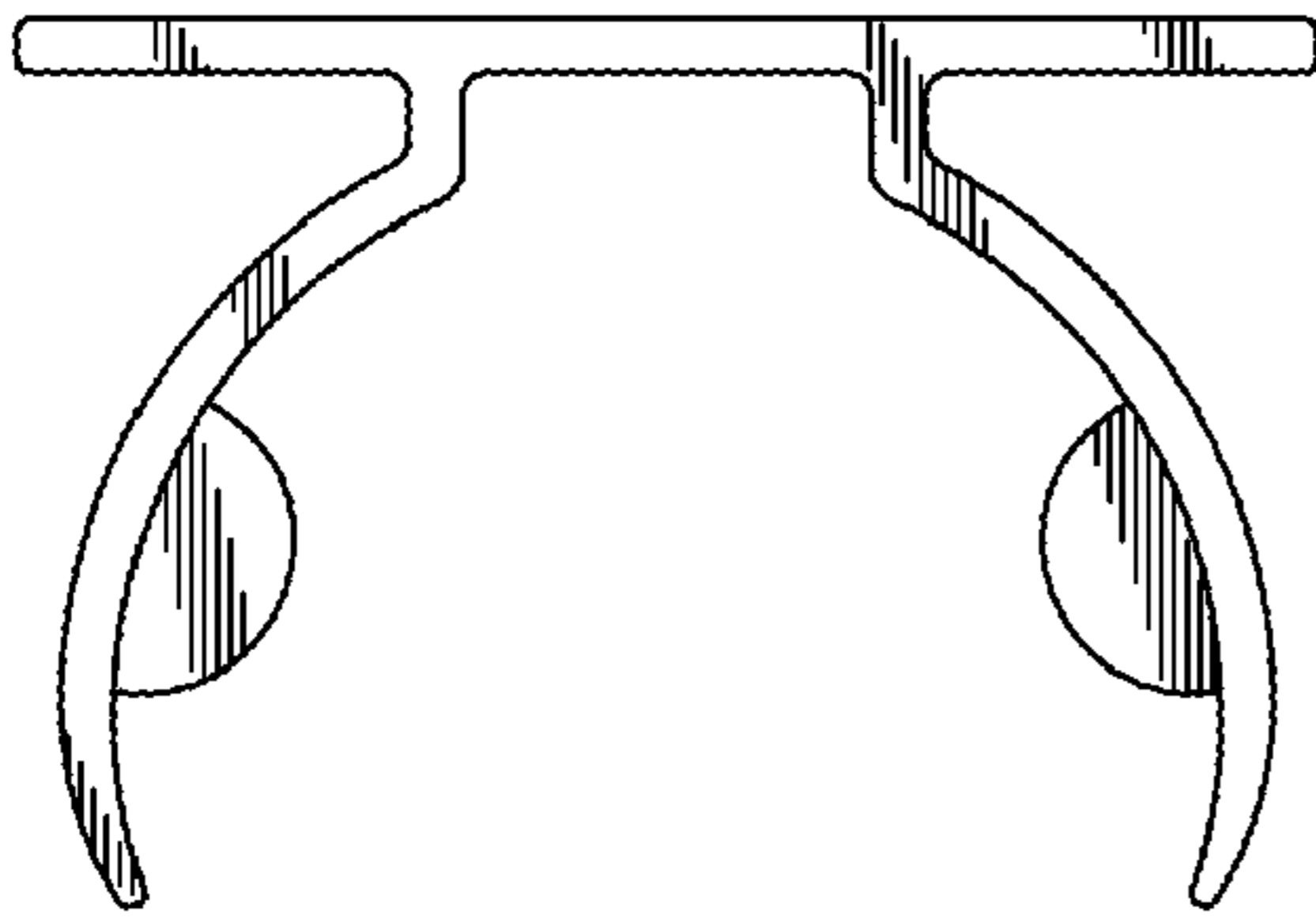


Fig. 12

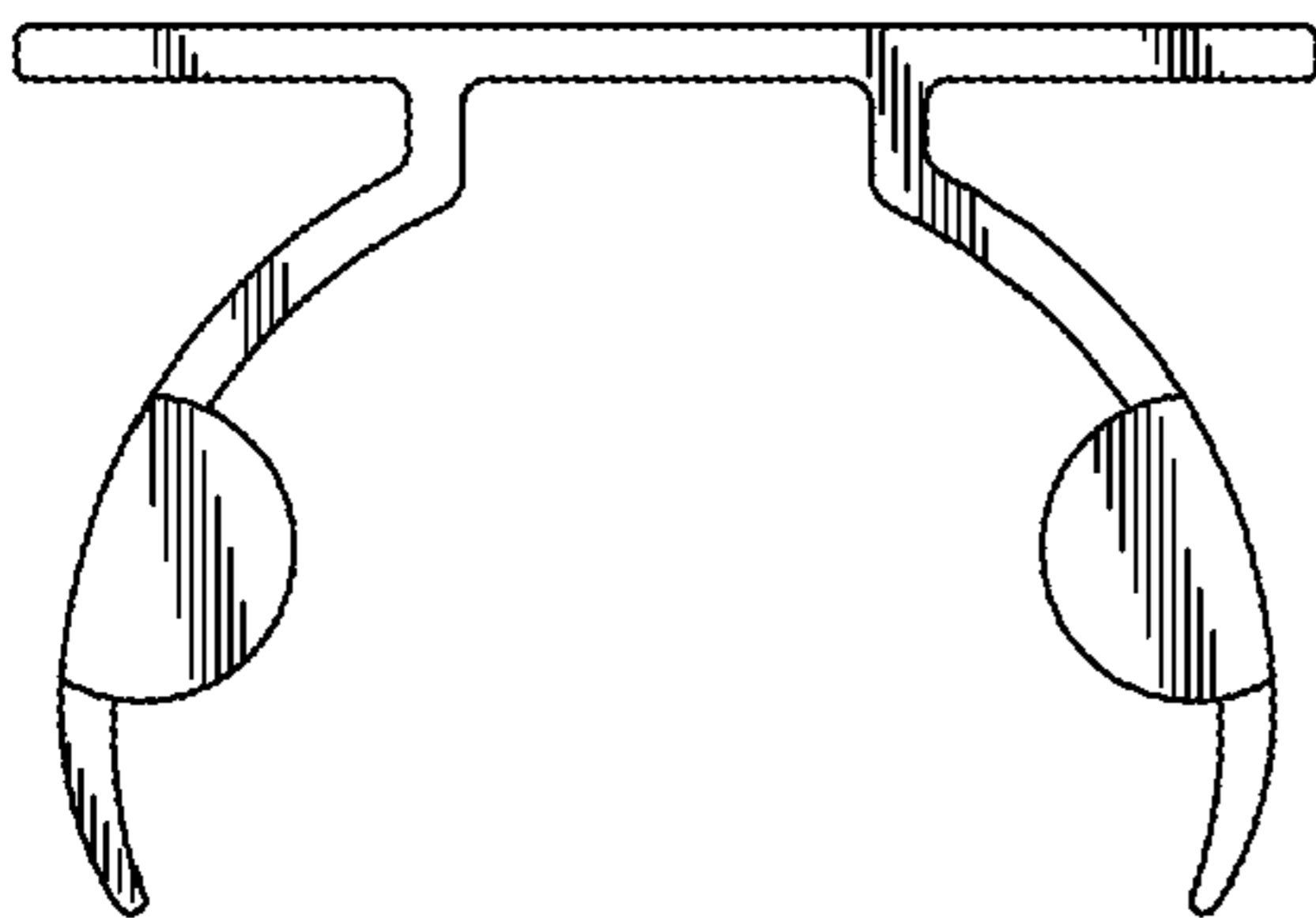


Fig. 13

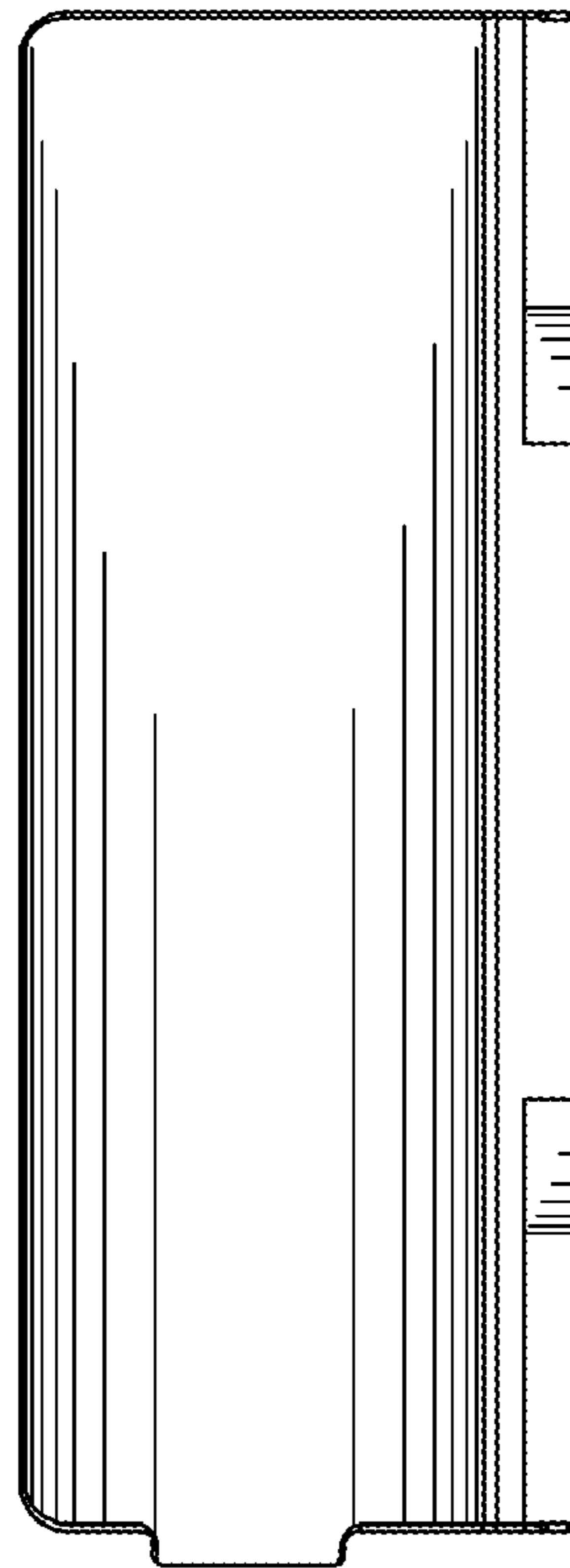


Fig. 14