



US00D637455S

(12) **United States Design Patent**  
**Lipson**

(10) **Patent No.:** **US D637,455 S**

(45) **Date of Patent:** **\*\* May 10, 2011**

(54) **DISPENSING BOTTLE**

(76) **Inventor:** **Erik Lipson**, Philadelphia, PA (US)

(\*\*) **Term:** **14 Years**

(21) **Appl. No.:** **29/360,519**

(22) **Filed:** **Apr. 27, 2010**

(51) **LOC (9) Cl.** ..... **07-01**

(52) **U.S. Cl.** ..... **D7/510; D7/511**

(58) **Field of Classification Search** ..... D7/620,  
D7/510, 511, 507, 605, 619.1, 624.2, 300.2,  
D7/509, 529; D9/444, 717, 502, 528, 526;  
D3/302, 202, 229; 215/11.6, 386, 388, 389;  
220/713, 732, 710, 705

See application file for complete search history.

(56) **References Cited**

**U.S. PATENT DOCUMENTS**

D279,250	S *	6/1985	Holloway	.....	D7/507
4,576,336	A *	3/1986	Cohen et al.	.....	239/33
D360,558	S *	7/1995	Appleman	.....	D7/507
D378,975	S *	4/1997	Reid	.....	D7/510
D425,756	S *	5/2000	Lipson	.....	D7/507
D429,957	S *	8/2000	Lipson	.....	D7/507
D431,417	S *	10/2000	Lipson	.....	D7/507
6,336,566	B1 *	1/2002	Lipson	.....	215/388

D478,814	S *	8/2003	Shepard	.....	D9/528
D507,722	S *	7/2005	Rockhill	.....	D7/510
D519,839	S *	5/2006	Abadinsky	.....	D9/502
D530,568	S *	10/2006	Wingenter	.....	D7/507
7,204,285	B2 *	4/2007	Idei	.....	152/531
7,461,757	B2 *	12/2008	Lipson	.....	220/705
D588,409	S *	3/2009	Kleckauskas et al.	.....	D7/507

\* cited by examiner

*Primary Examiner* — Marianne Pandozzi

(74) *Attorney, Agent, or Firm* — Gifford, Krass, Sprinkle, Anderson & Citkowski, P.C.

(57) **CLAIM**

The ornamental design for a dispensing bottle, as shown and described.

**DESCRIPTION**

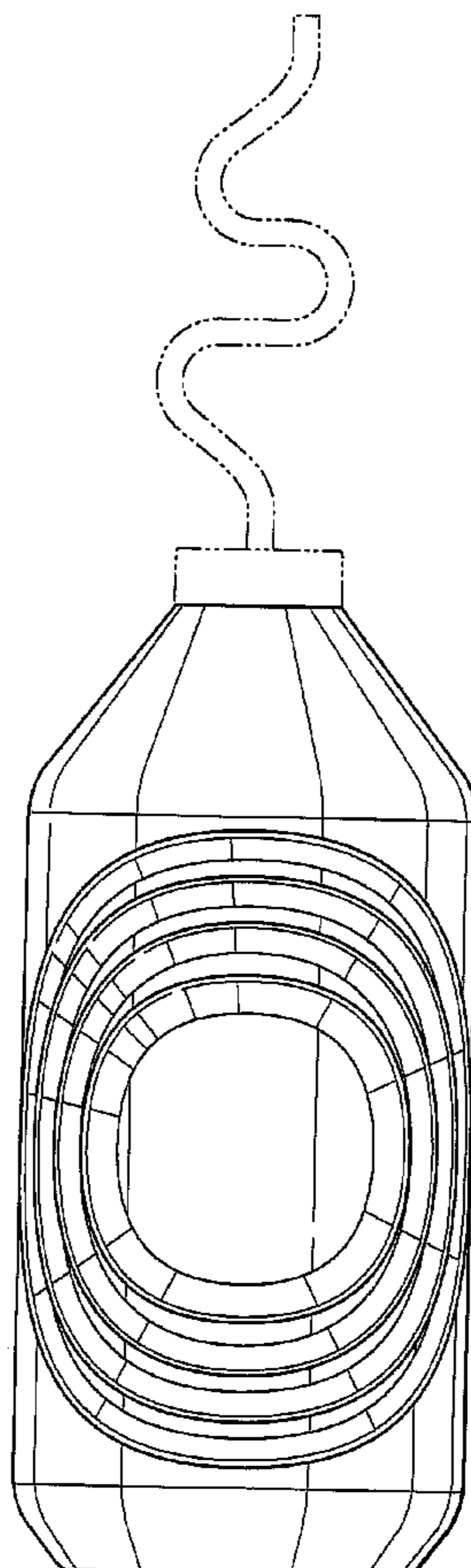
FIG. 1 is a front elevational view of a dispensing bottle showing my new design, the opposite side is a mirror image thereof;

FIG. 2 is a side elevational view at 90 degrees to FIG. 1, the opposite side is a mirror image thereof;

FIG. 3 is a top view of the dispensing bottle of FIG. 1; and, FIG. 4 is a bottom view of the dispensing bottle of FIG. 1.

The broken lines in the drawings are included for the purpose of illustration and form no part of the claimed design.

**1 Claim, 3 Drawing Sheets**



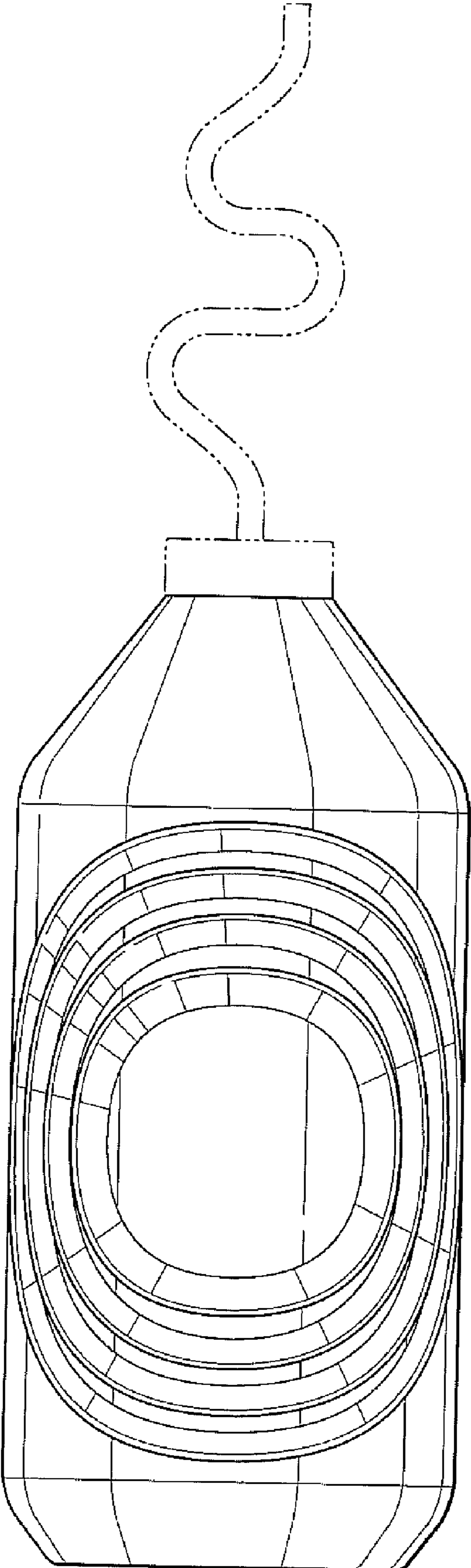
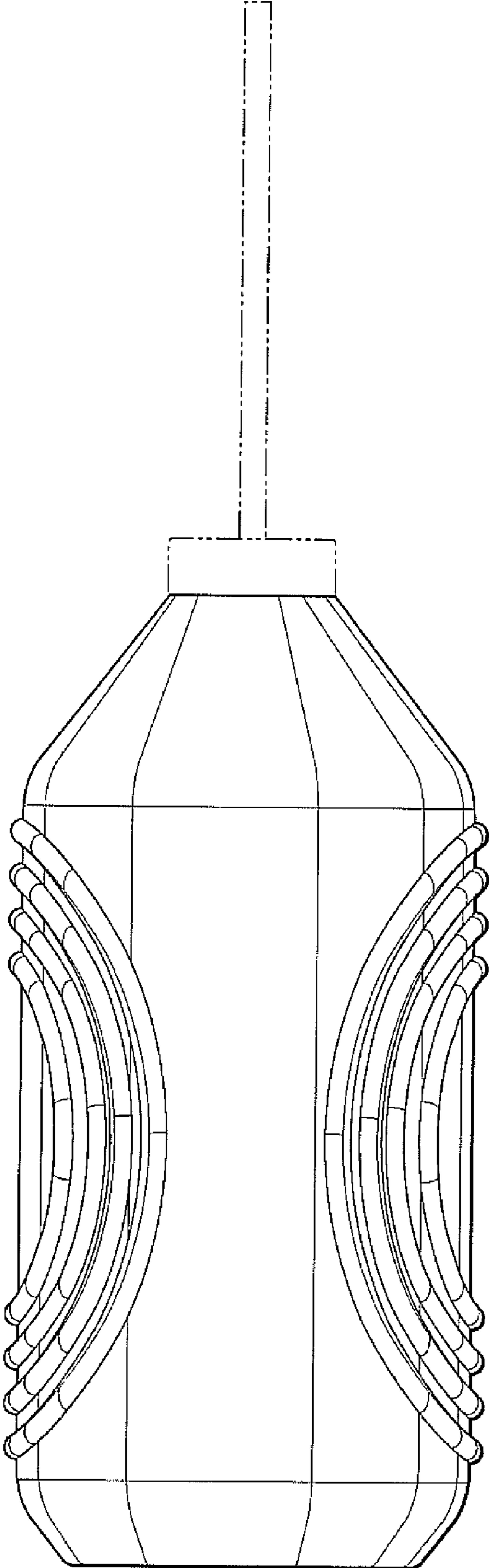
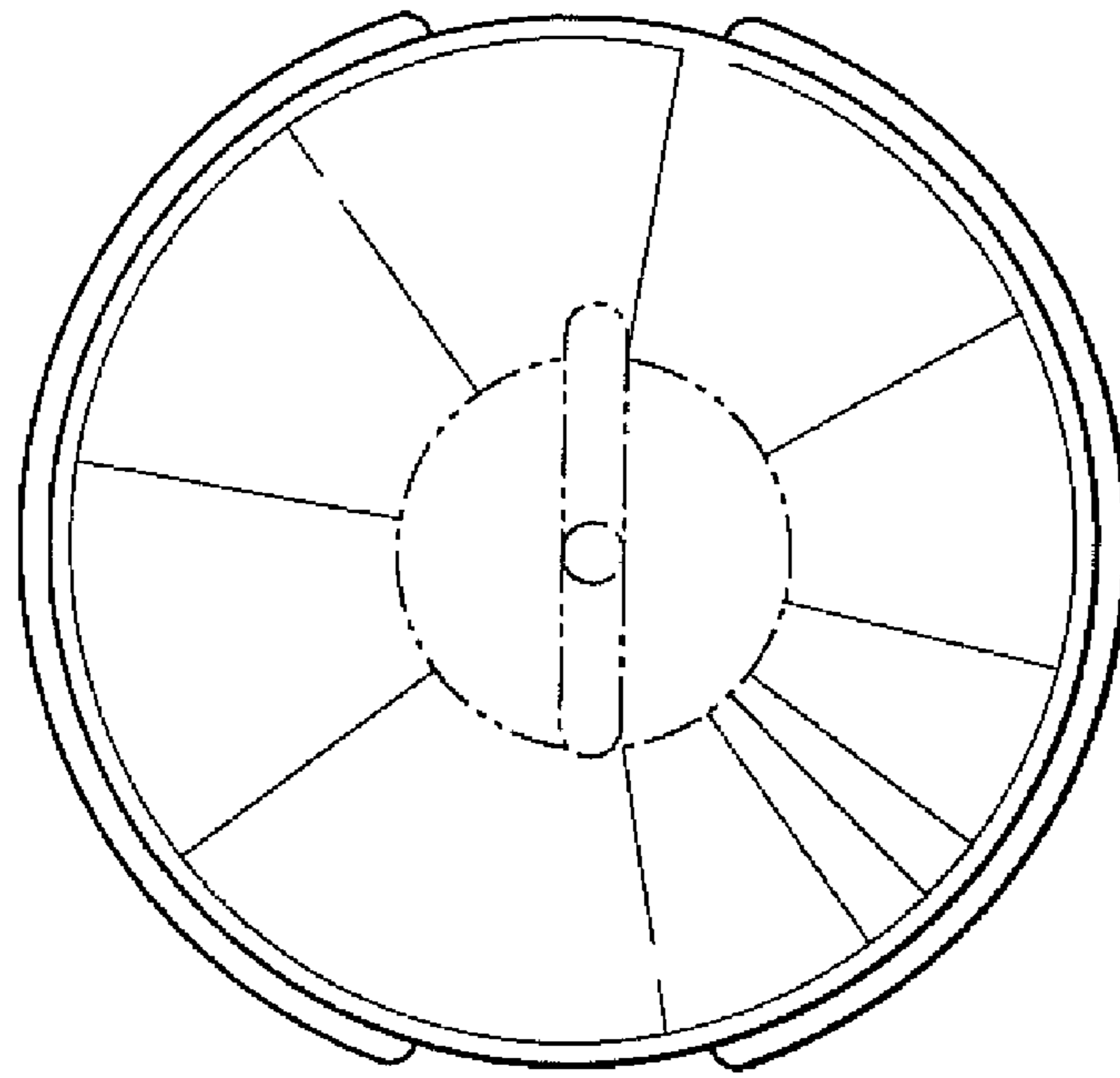


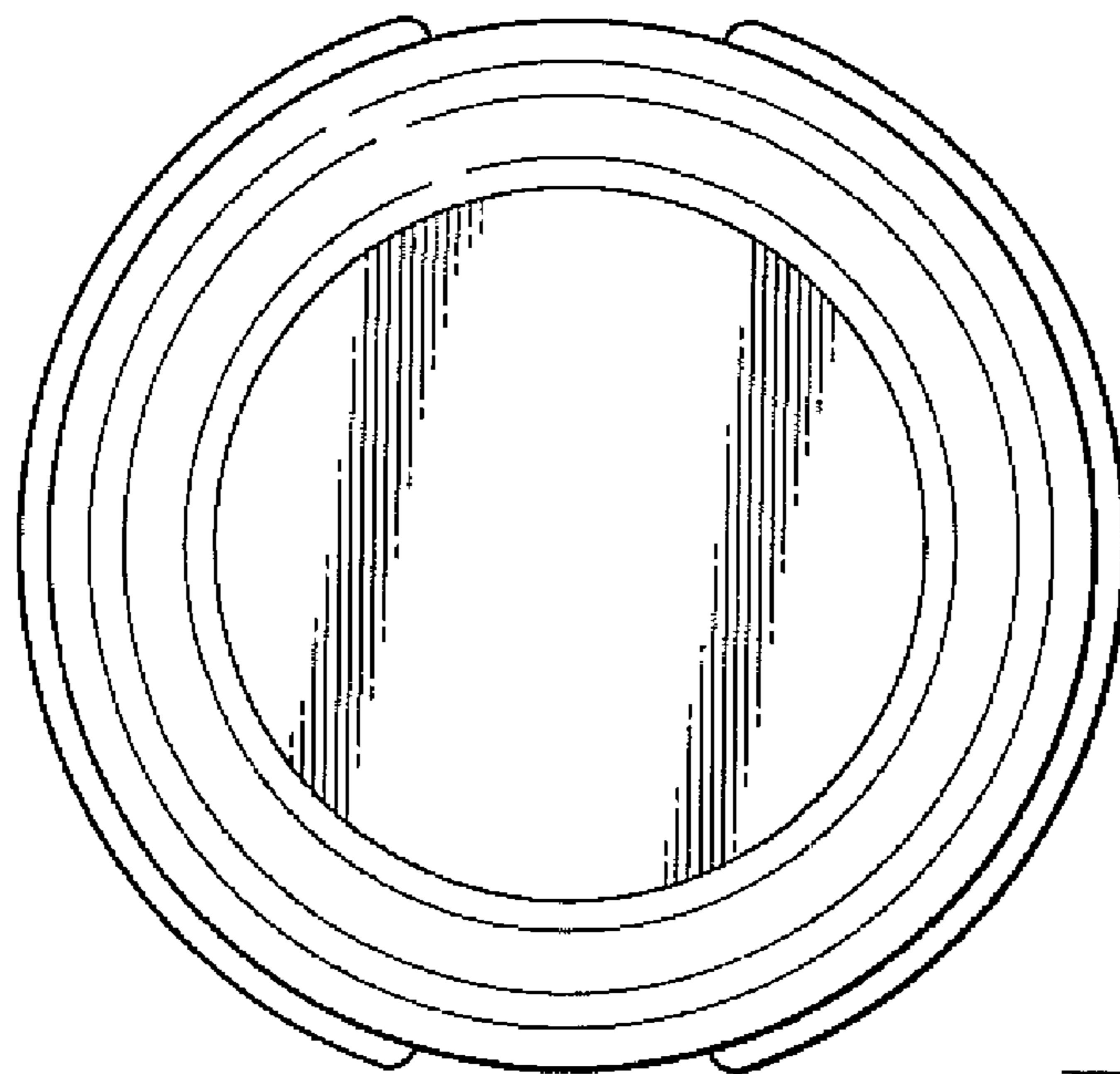
FIG. 1



**FIG. 2**



**FIG. 3**



**FIG. 4**