



US00D637453S

(12) **United States Design Patent**
Chatterton

(10) **Patent No.:** **US D637,453 S**
(45) **Date of Patent:** **** May 10, 2011**

(54) **TOP OF A PAN LID**

(75) Inventor: **Chadd R. Chatterton**, Kenosha, WI
(US)

(73) Assignee: **Pactiv Corporation**, Lake Forest, IL
(US)

(**) Term: **14 Years**

(21) Appl. No.: **29/360,419**

(22) Filed: **Apr. 26, 2010**

(51) **LOC (9) Cl.** **07-02**

(52) **U.S. Cl.** **D7/391; D7/359**

(58) **Field of Classification Search** D3/204,
D3/302, 304, 307-309; D7/323, 391, 354-363,
D7/402, 543-545, 553.6-553.8, 554.3-554.4,
D7/560, 585-588; D9/424-425, 427-431,
D9/434-435, 456, 756, 760-761; 99/324,
99/339-340, 426; 209/406; 220/23.2-23.6,
220/315, 573.1-573.3, 574-575, 782, 793,
220/912; 249/117, 121, 123
See application file for complete search history.

(56) **References Cited**

U.S. PATENT DOCUMENTS

D237,679	S	*	11/1975	Backus	D7/553.6
D267,221	S	*	12/1982	Williams	D7/359
4,616,762	A		10/1986	Alexander		
D321,809	S	*	11/1991	Zobrist	D7/359
5,641,090	A	*	6/1997	Kowalski et al.	220/782
5,878,656	A	*	3/1999	Fletcher et al.	99/340
D416,433	S	*	11/1999	Fletcher et al.	D7/359
D421,569	S	*	3/2000	Hayes et al.	D9/434
6,042,856	A		3/2000	Sagan		
6,065,629	A	*	5/2000	Sarnoff et al.	220/315
D428,777	S		8/2000	Hayes		
D429,965	S		8/2000	Hayes		
D432,858	S		10/2000	Hayes		
D432,914	S		10/2000	Hayes		

D433,334	S		11/2000	Hayes		
D439,048	S	*	3/2001	Sanderson	D3/302
6,237,803	B1		5/2001	Sarnoff et al.		
D444,382	S		7/2001	Hayes		
D450,537	S		11/2001	Hayes		
D457,037	S		5/2002	Hayes		
D458,538	S		6/2002	Hayes		
D461,123	S		8/2002	Hayes		

(Continued)

OTHER PUBLICATIONS

U.S. Appl. No. 29/360,429, filed Feb. 4, 2011—Non-Final Office Action.

Primary Examiner — Ricky Pham

(74) *Attorney, Agent, or Firm* — Baker Botts LLP

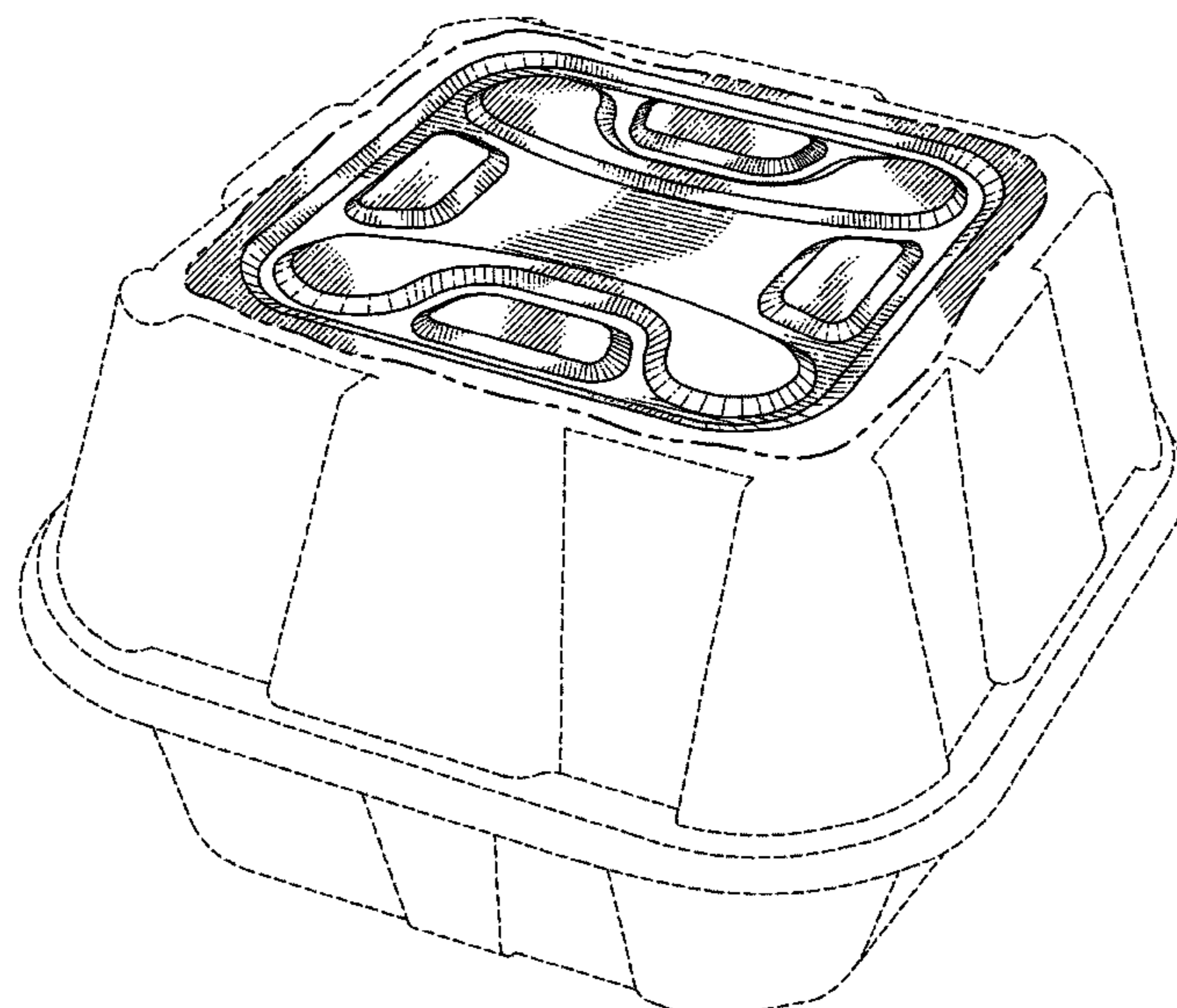
(57) **CLAIM**

The ornamental design for a top of a pan lid, as shown and described.

DESCRIPTION

FIG. 1 is a perspective view of a top of a pan lid showing my design;
FIG. 2 is a different perspective view of the top of the pan lid of FIG. 1;
FIG. 3 is a top view of the top of the pan lid of FIG. 1;
FIG. 4 is a bottom view of the top of the pan lid of FIG. 1;
FIG. 5 is an enlarged scale cross-sectional view of the top of the pan lid of FIG. 3 taken at the line 5—5; and,
FIG. 6 is an enlarged scale cross-sectional view of the top of the pan lid of FIG. 3 taken at the line 6—6;
The broken lines shown throughout these figures depict environmental subject matter only and form no part of the claimed design.
The enlarged scale cross-sectional views of FIGS. 5 and 6 are provided for the purpose of illustrating the structure of the top of the pan lid and form no part of the claimed design.

1 Claim, 5 Drawing Sheets



US D637,453 S

Page 2

U.S. PATENT DOCUMENTS

D461,678 S	8/2002	Hayes	D525,832 S	8/2006	Hayes	
D467,496 S	12/2002	Hayes	D543,350 S *	5/2007	Sanderson D3/204
6,568,534 B2	5/2003	Zank	D545,134 S	6/2007	Hayes	
D478,282 S	8/2003	Hayes	7,228,986 B2	6/2007	Hayes	
6,619,501 B2	9/2003	Hayes	D545,631 S	7/2007	Hayes	
6,644,494 B2	11/2003	Hayes	D546,621 S	7/2007	Hayes	
D490,309 S	5/2004	Hayes	D546,629 S	7/2007	Hayes	
6,845,878 B2	1/2005	Hayes	D547,616 S	7/2007	Hayes	
6,886,704 B2	5/2005	Hayes	D549,050 S	8/2007	Spencer	
D508,819 S	8/2005	Mangla	D551,911 S	10/2007	Hayes	
D514,880 S	2/2006	Hayes	D552,424 S	10/2007	Hayes	
D520,303 S	5/2006	Hayes	D552,425 S	10/2007	Hayes	
D523,287 S	6/2006	Hayes	D561,990 S *	2/2008	Berg et al. D3/204
D525,083 S	7/2006	Hayes	7,337,917 B2 *	3/2008	Kortleven 220/793
D525,487 S	7/2006	Hayes	D606,395 S *	12/2009	Franczyk et al. D9/756

* cited by examiner

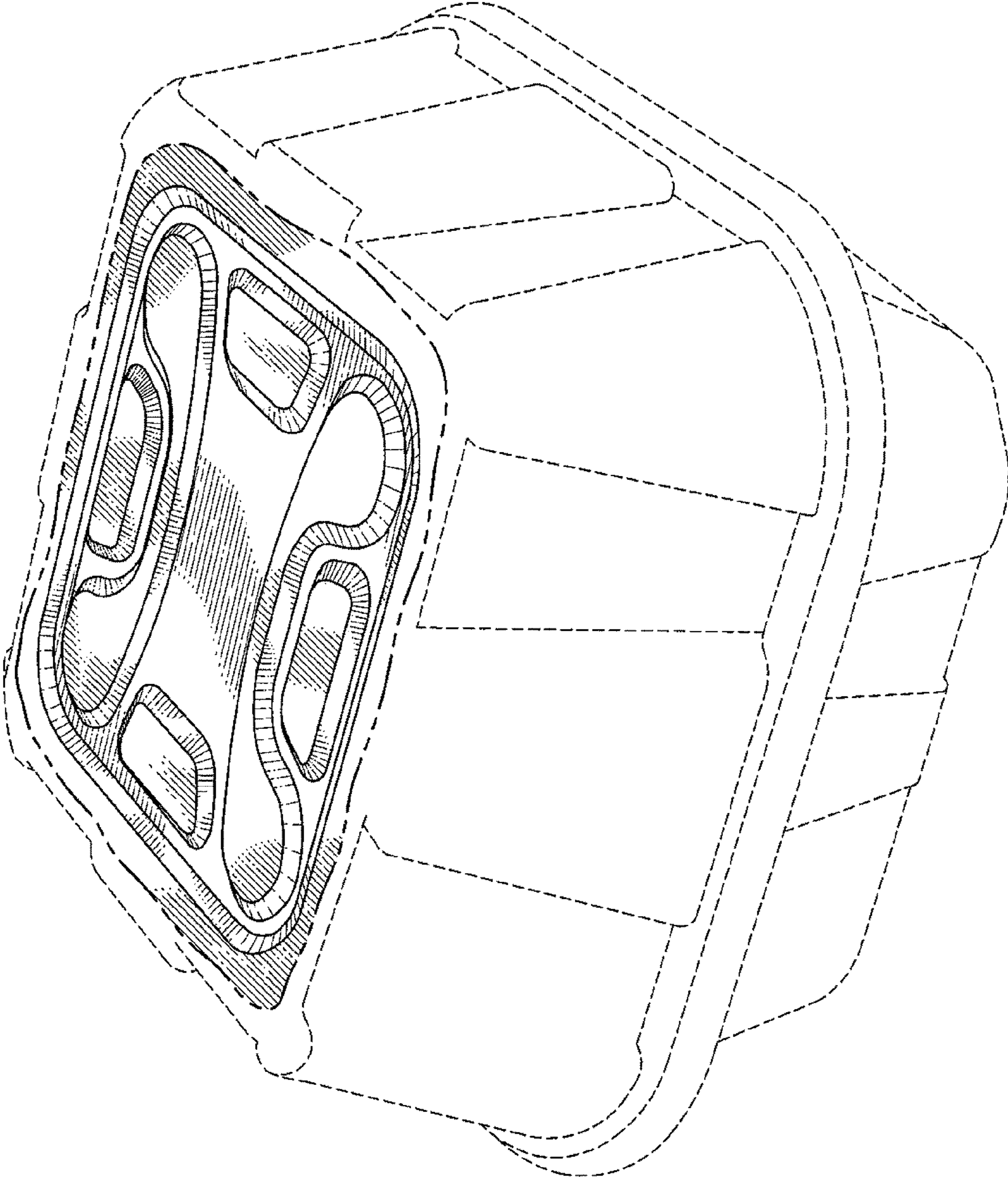


FIG.1

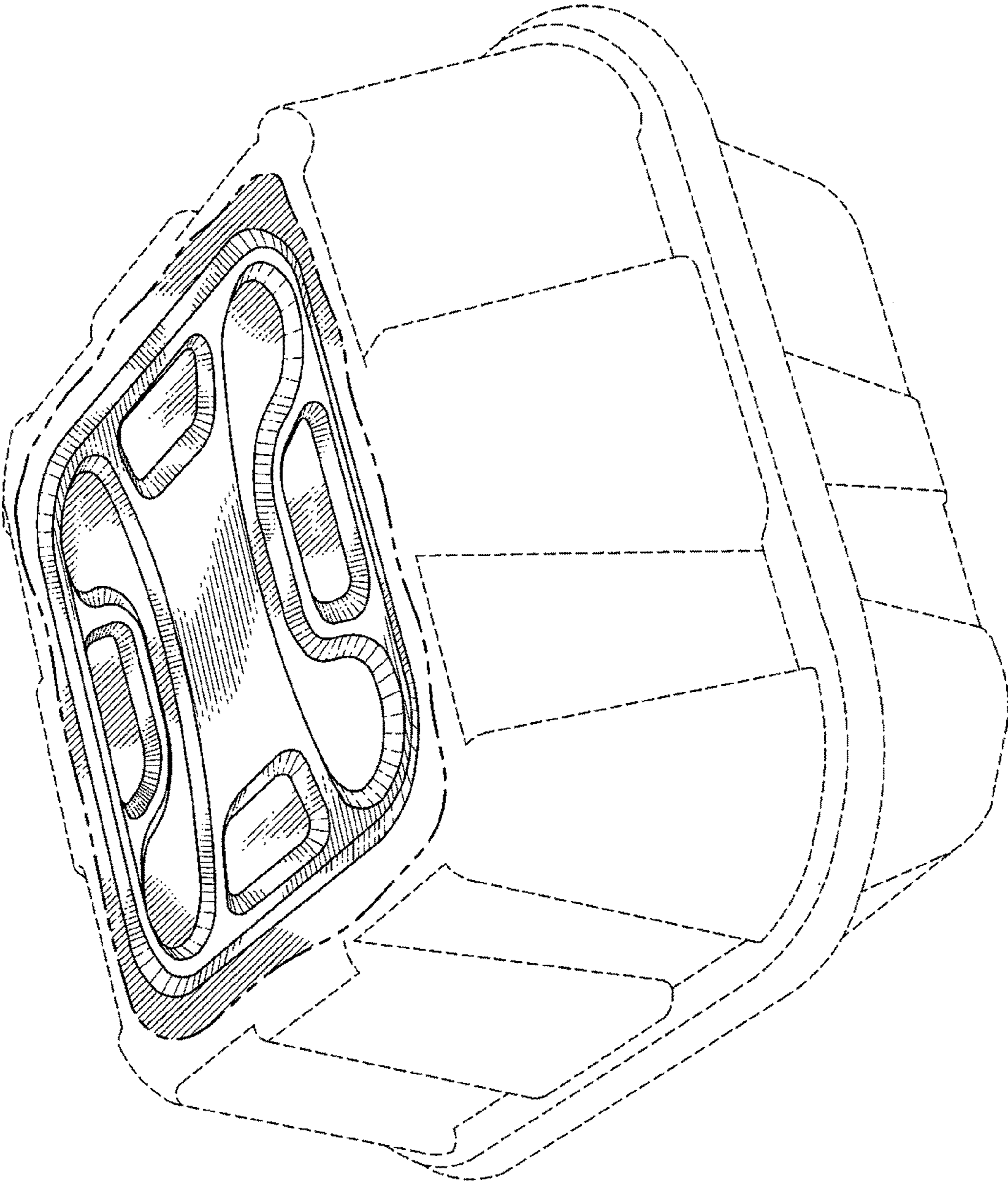


FIG.2

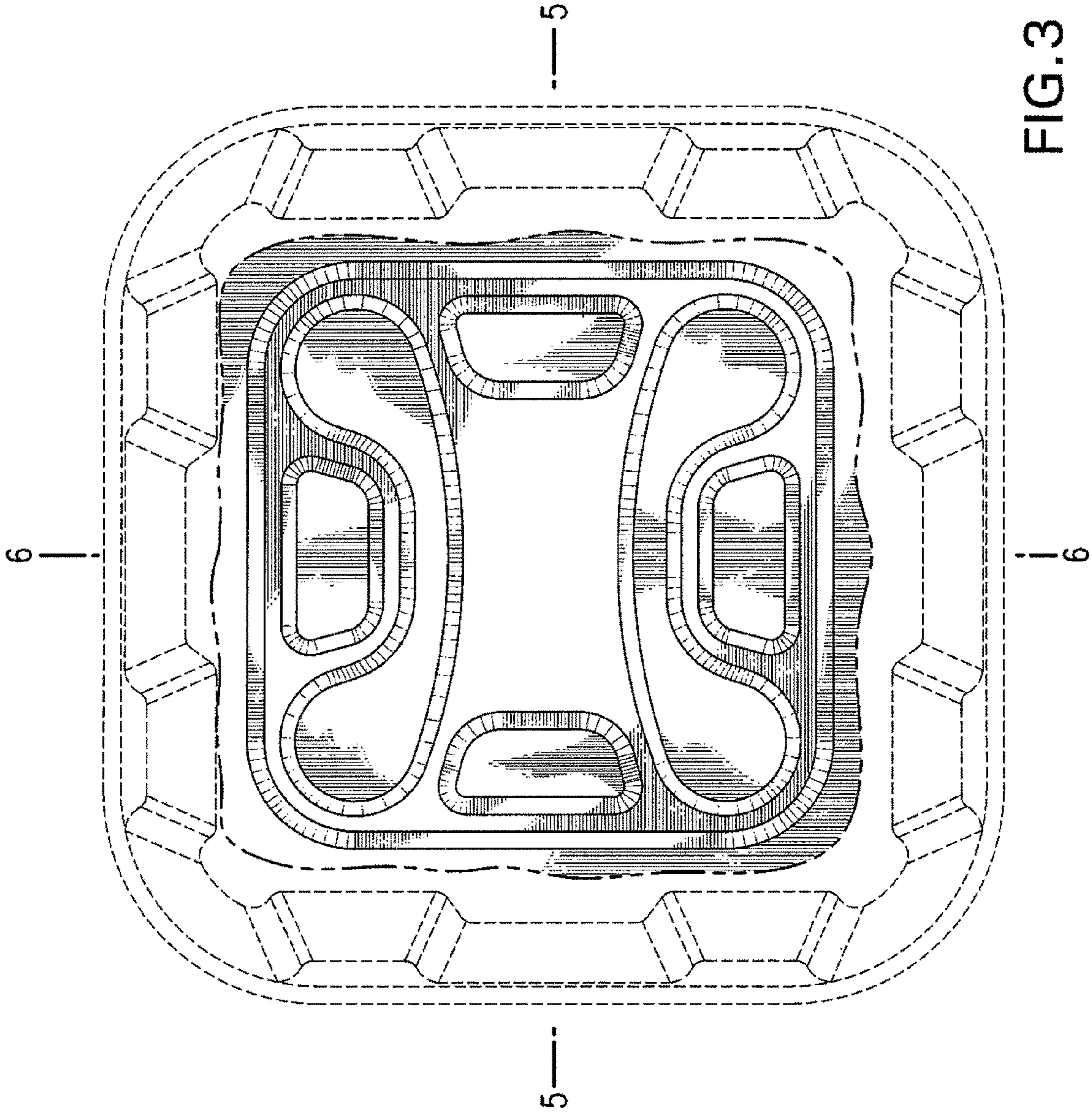


FIG. 3

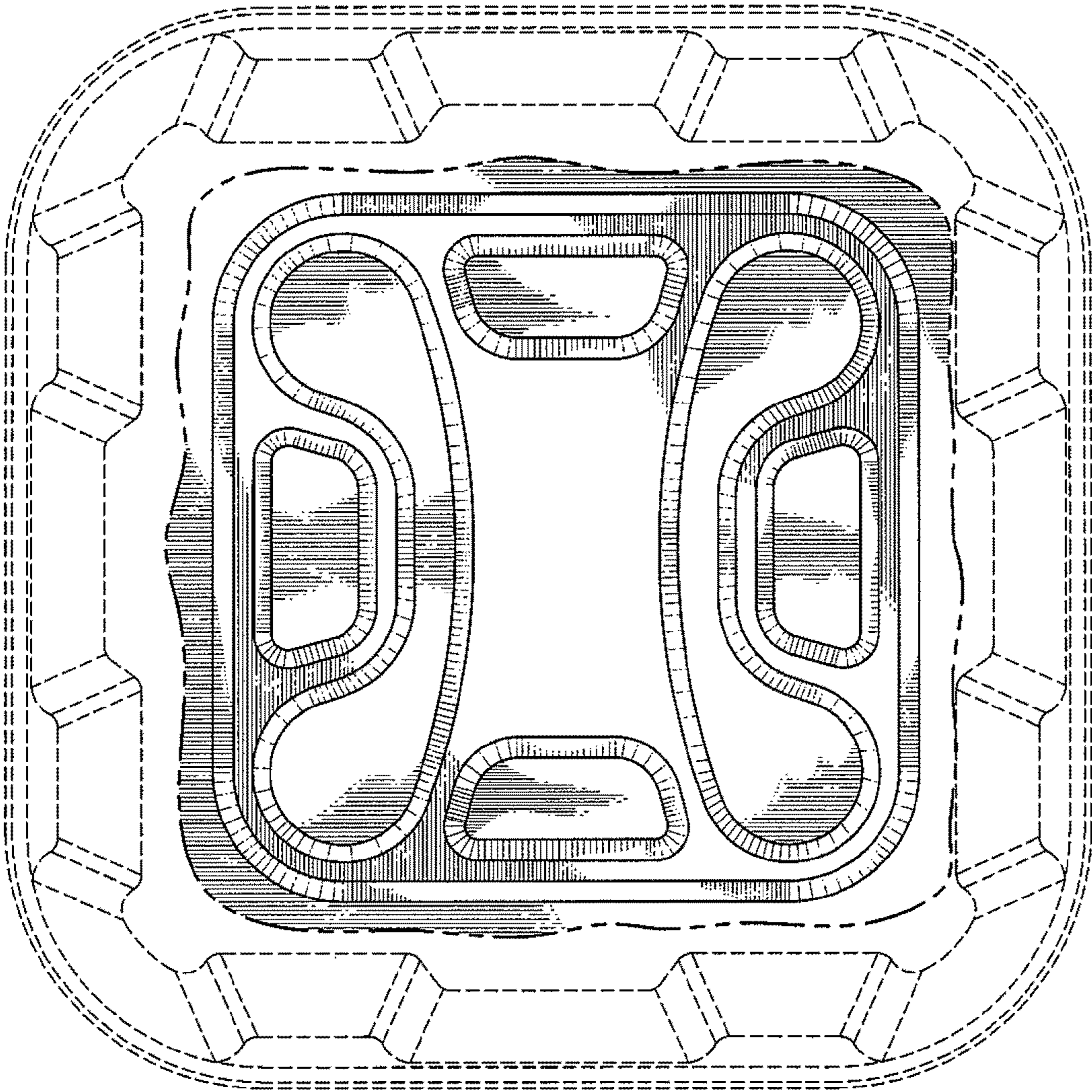


FIG.4

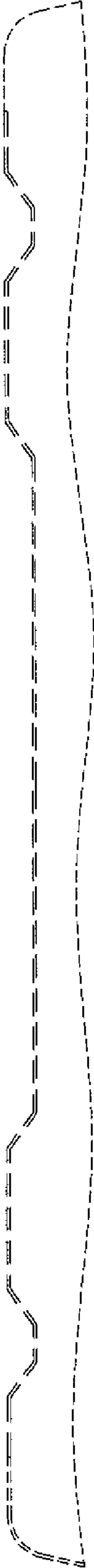


FIG. 5

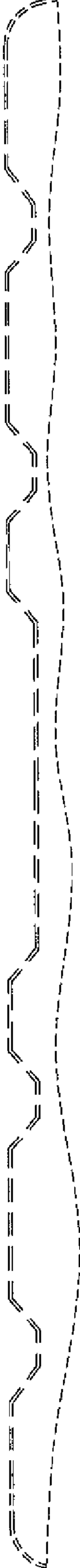


FIG. 6