



US00D637449S

(12) **United States Design Patent**
Cornu et al.

(10) **Patent No.:** **US D637,449 S**
(45) **Date of Patent:** **** May 10, 2011**

(54) **BAKING FORM**

(75) Inventors: **Judicaël Cornu**, Brussels (BE);
Jan-Hendrik de Groote, Brussels (BE)

(73) Assignee: **Dart Industries Inc.**, Orlando, FL (US)

(**) Term: **14 Years**

(21) Appl. No.: **29/370,439**

(22) Filed: **Jul. 16, 2010**

(51) **LOC (9) Cl.** **07-02**

(52) **U.S. Cl.** **D7/354**

(58) **Field of Classification Search** D1/129;
D3/294-304, 307-310; D7/323, 354-363,
D7/402, 504-505, 538-545, 553.1-553.8,
D7/554.1-554.4, 584-588, 601-602, 612-615,
D7/629; D9/424-432, 456, 759-761; D11/156;
99/324, 426; 206/515-519; 220/4.24, 23.2-23.6,
220/573.1-573.3, 574-575, 657, 780-806,
220/912; 249/117, 121-122, 126; 426/124
See application file for complete search history.

(56) **References Cited**

U.S. PATENT DOCUMENTS

D175,202 S	7/1955	Tupper	
D229,329 S *	11/1973	Jansen	D11/156
4,014,450 A *	3/1977	Girotti et al.	220/4.24
D275,165 S	8/1984	Grusin	
D289,245 S *	4/1987	Ritman	D7/586
D289,844 S *	5/1987	Daenen et al.	D7/354
D322,013 S	12/1991	Daenen et al.	
D348,805 S	7/1994	Cautereels	
D365,501 S *	12/1995	Daugherty et al.	D7/602
D370,176 S *	5/1996	Wyslotsky	D9/425
D381,560 S	7/1997	Indekeu	
D384,555 S *	10/1997	Bradley	D7/545

D415,656 S *	10/1999	Henry	D7/545
D415,935 S	11/1999	Martinez	
D417,367 S	12/1999	Laib	
D427,063 S *	6/2000	May	D9/425
D429,961 S *	8/2000	Harris	D7/540
D432,866 S *	10/2000	Harrison	D7/545
D441,597 S *	5/2001	Wyche	D7/360
D442,425 S *	5/2001	Wyche	D7/360
D445,633 S *	7/2001	Bradley	D7/360
D446,994 S *	8/2001	Zank	D7/354
D469,313 S *	1/2003	Thonis et al.	D7/602
D505,840 S	6/2005	Schultz et al.	

(Continued)

FOREIGN PATENT DOCUMENTS

CA 119851 12/2007

OTHER PUBLICATIONS

U.S. Appl. No. 29/313,452, filed Jan. 7, 2009, Jan-Hendrik de Groot

Primary Examiner — Ricky Pham

(74) *Attorney, Agent, or Firm* — John A. Doninger

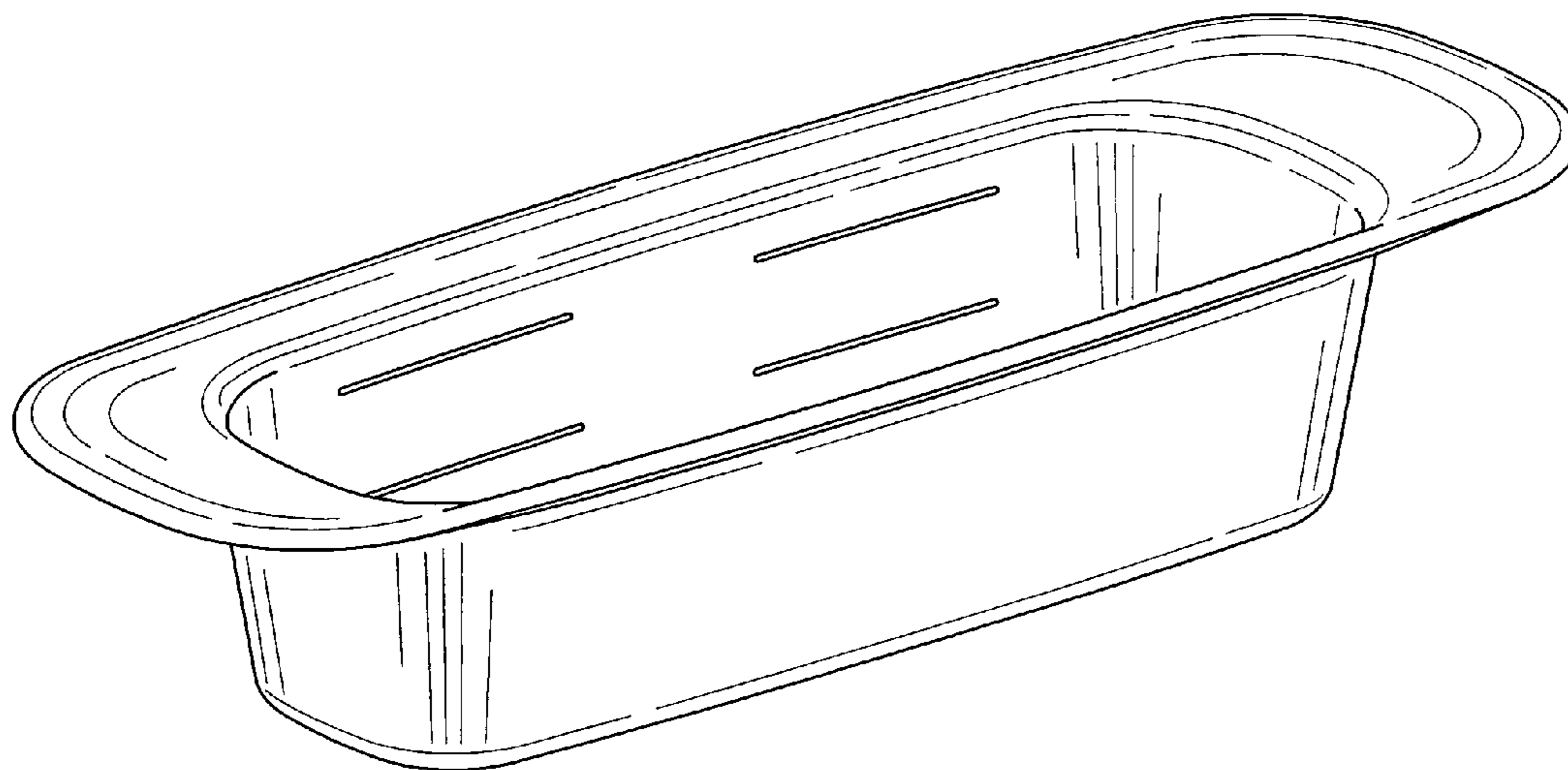
(57) **CLAIM**

The ornamental design for a baking form, as shown and described.

DESCRIPTION

FIG. 1 is a top, side and front perspective view of a baking form showing our new design;
FIG. 2 is a bottom, side and rear perspective view thereof;
FIG. 3 is a front elevation view, the rear elevation being identical thereto;
FIG. 4 is a right side elevation view, the left side elevation being identical thereto;
FIG. 5 is a top plan view thereof; and,
FIG. 6 is a bottom plan view thereof.

1 Claim, 3 Drawing Sheets



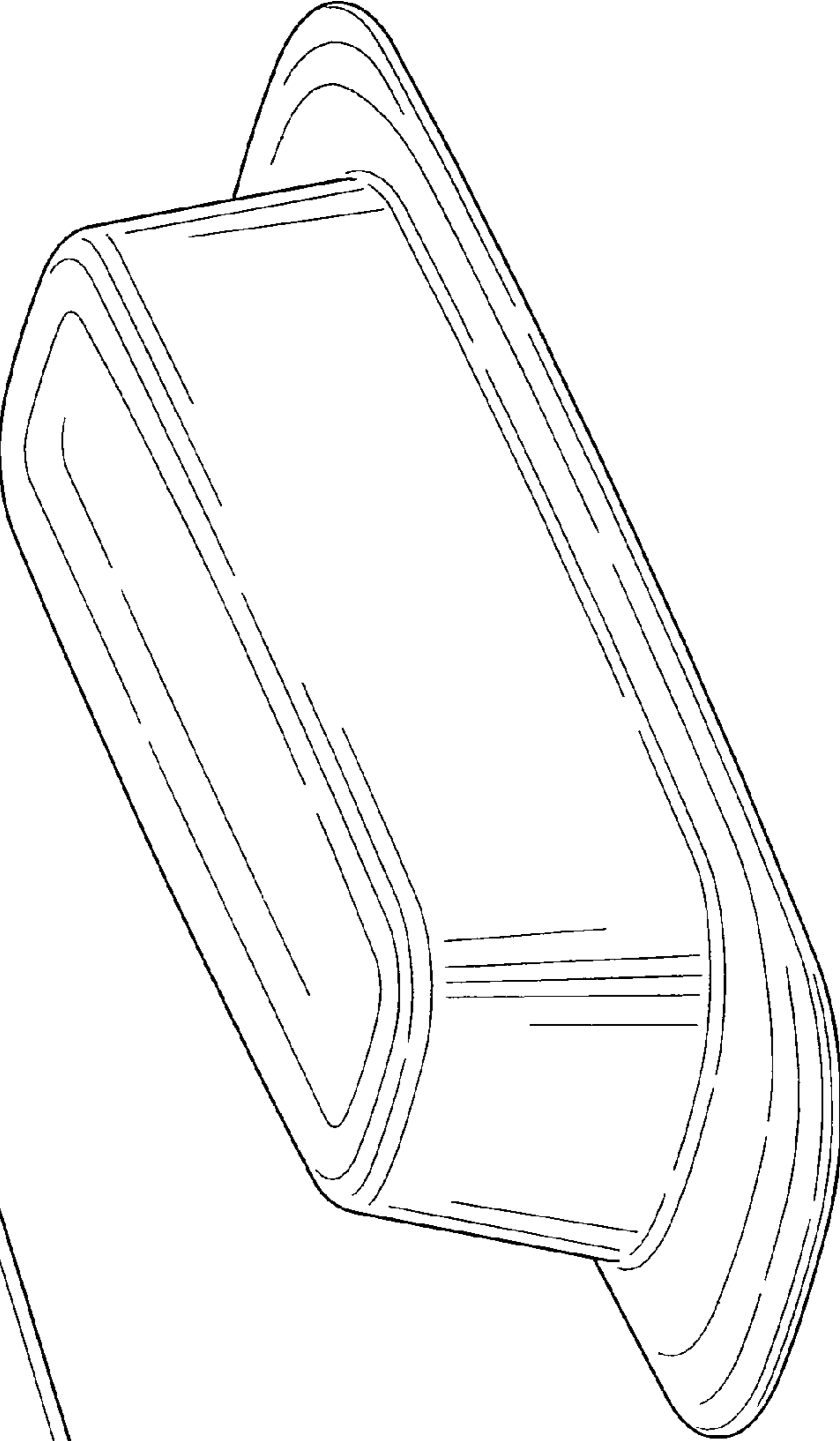
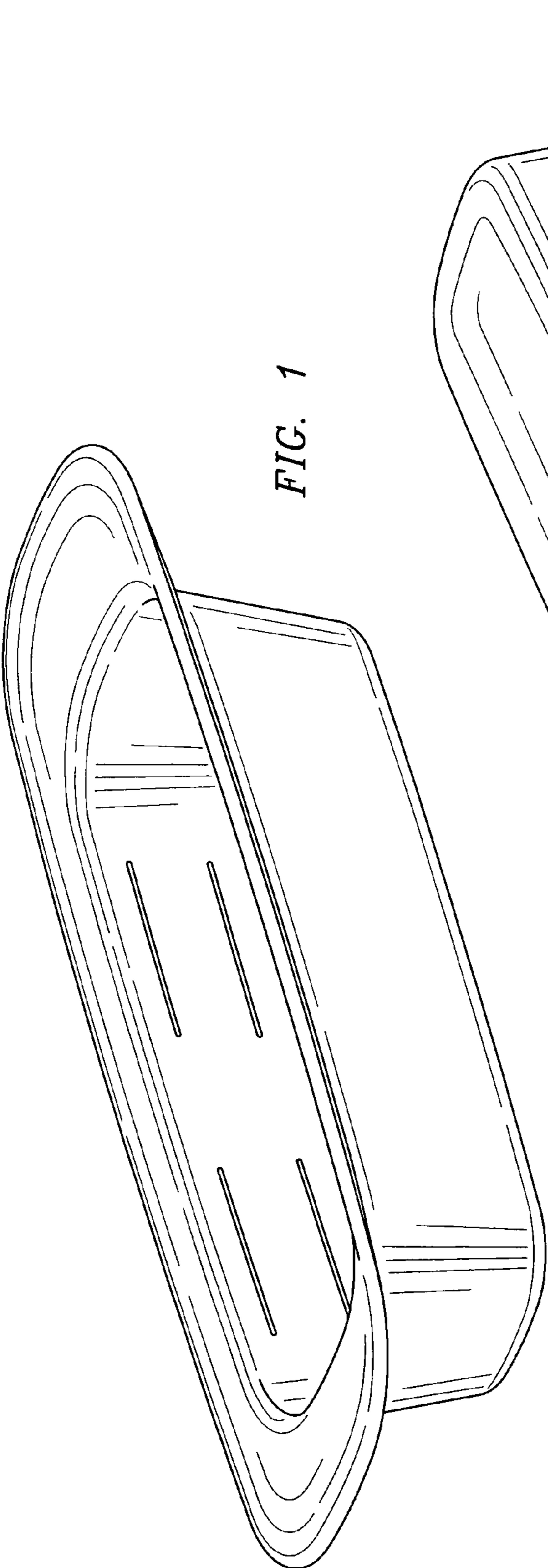
US D637,449 S

Page 2

U.S. PATENT DOCUMENTS

D514,373 S *	2/2006	Vendl et al.	D7/360	D551,515 S	9/2007	Ablo et al.	
D517,366 S *	3/2006	Oztiryaki	D7/354	D553,444 S	10/2007	de Groote et al.	
D529,755 S *	10/2006	Lobman et al.	D7/356	7,347,327 B2 *	3/2008	Lobman et al.	206/518
D533,080 S *	12/2006	Darin	D9/761	D567,029 S *	4/2008	Valderrama et al.	D7/545
D540,624 S *	4/2007	Wasserman et al.	D7/584	D588,859 S *	3/2009	Simon et al.	D7/354
D544,292 S *	6/2007	Lion et al.	D7/354	D611,305 S *	3/2010	Hart et al.	D7/545

* cited by examiner



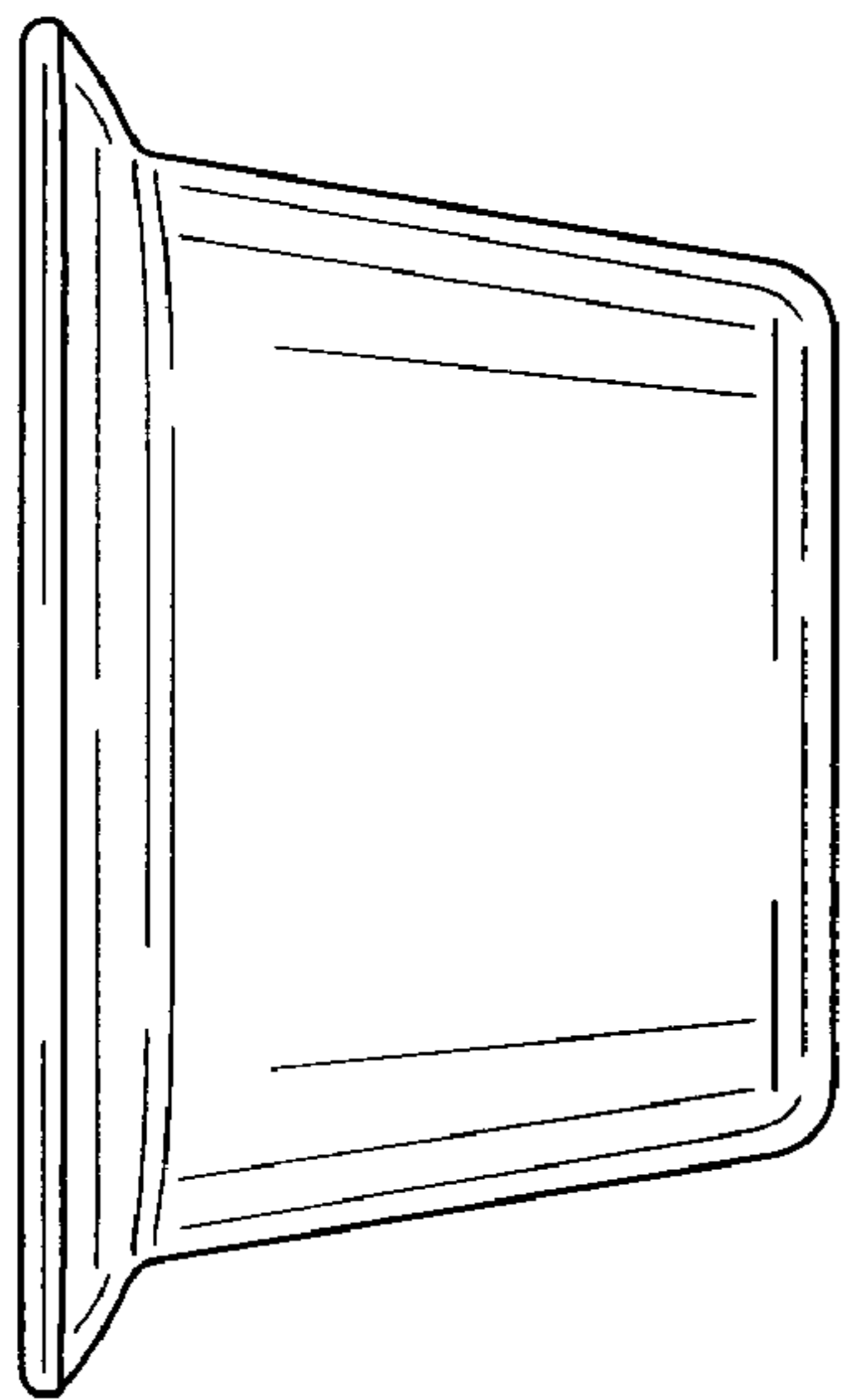


FIG. 3

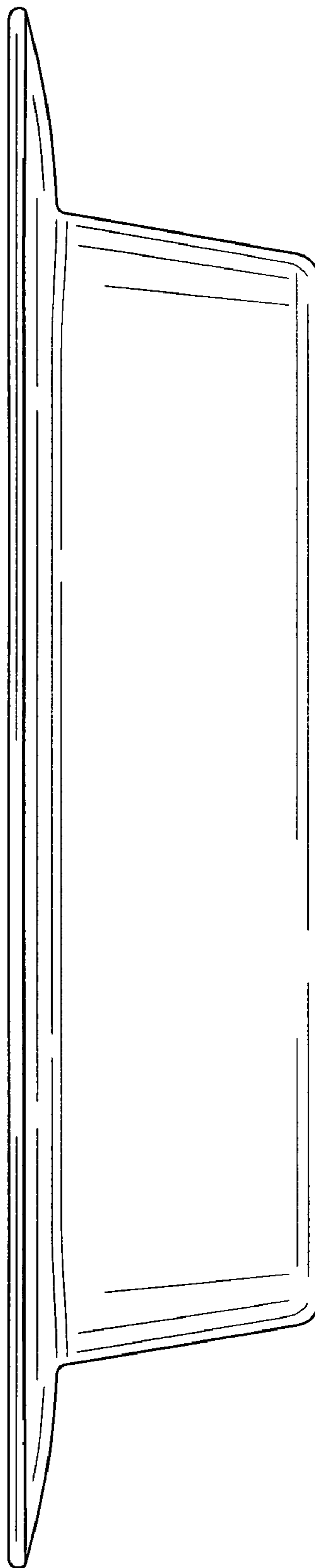


FIG. 4

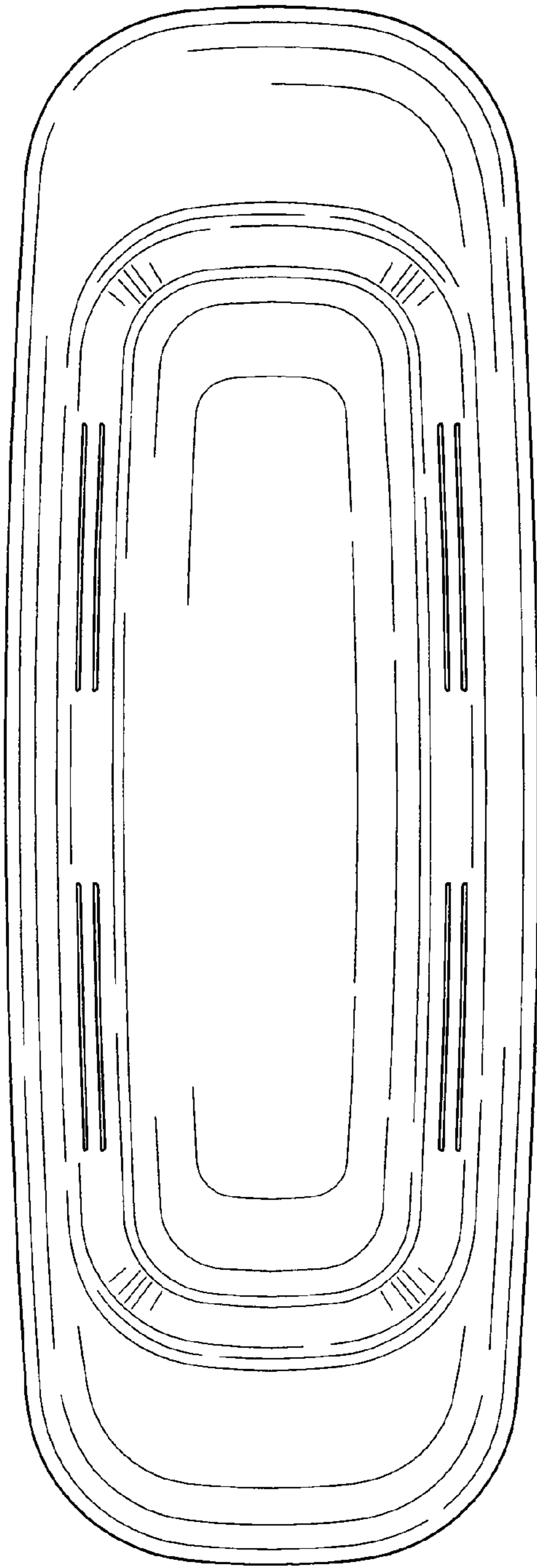


FIG. 5

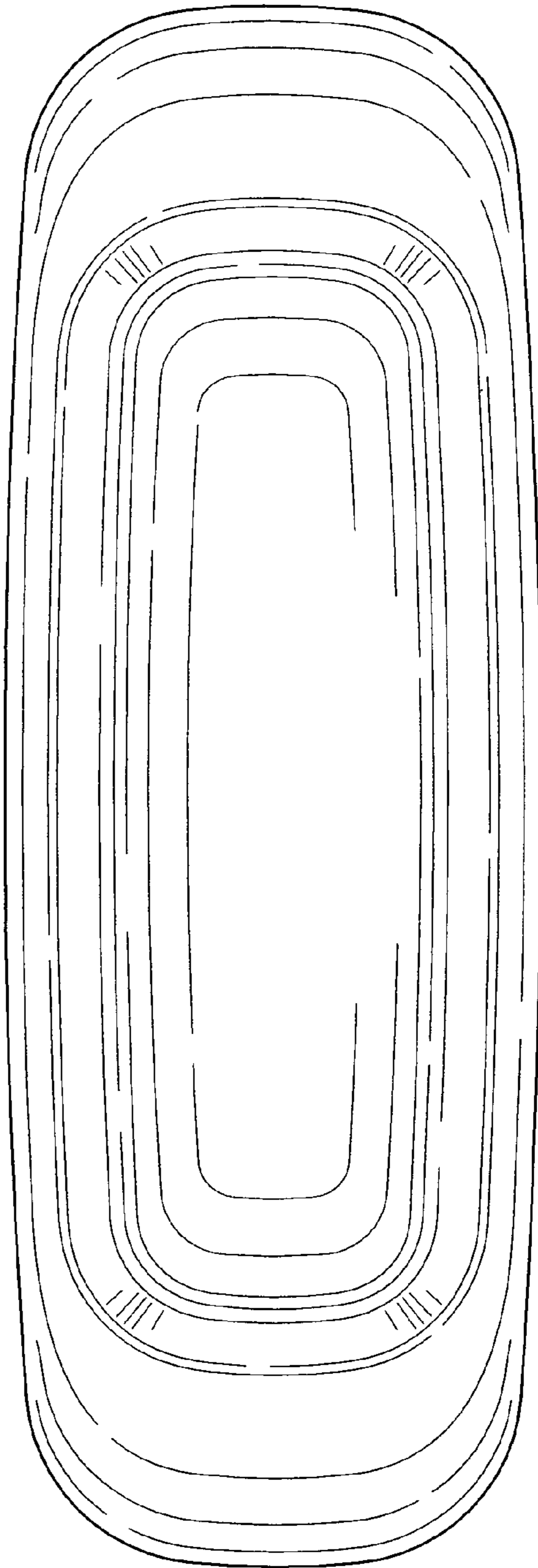


FIG. 6