



US00D637447S

(12) **United States Design Patent**
Chen et al.

(10) **Patent No.:** **US D637,447 S**

(45) **Date of Patent:** **** May 10, 2011**

(54) **BARBECUE STOVE**

(75) Inventors: **Jan-Nan Chen**, Taichung (TW); **Tammy Yen**, Taichung (TW)

(73) Assignee: **Pro-Iroda Industries, Inc.**, Taichung (TW)

(**) Term: **14 Years**

(21) Appl. No.: **29/369,709**

(22) Filed: **Sep. 13, 2010**

(51) **LOC (9) Cl.** **07-02**

(52) **U.S. Cl.** **D7/337**

(58) **Field of Classification Search** D7/332-337,
D7/402-404; 126/25 R, 25 A, 25 B, 41 R,
126/39-30, 9 R, 8, 38, 4, 268, 276, 40, 50,
126/506; 99/481-482, 448

See application file for complete search history.

(56) **References Cited**

U.S. PATENT DOCUMENTS

D155,631 S * 10/1949 Roedter D7/332
D285,401 S * 9/1986 Erickson D7/332
D568,671 S * 5/2008 Cheng D7/337

D570,639 S * 6/2008 Nardone et al. D7/332
D586,610 S * 2/2009 Hu D7/337
D611,291 S * 3/2010 Chung D7/337

* cited by examiner

Primary Examiner — Ruth McInroy

(74) *Attorney, Agent, or Firm* — Alan Kamrath; Kamrath & Associates PA

(57) **CLAIM**

We claim the ornamental design for a barbecue stove, as shown and described.

DESCRIPTION

FIG. 1 is a perspective view of a barbecue stove showing our new design;

FIG. 2 is a front view thereof;

FIG. 3 is a rear view thereof;

FIG. 4 is a left view thereof;

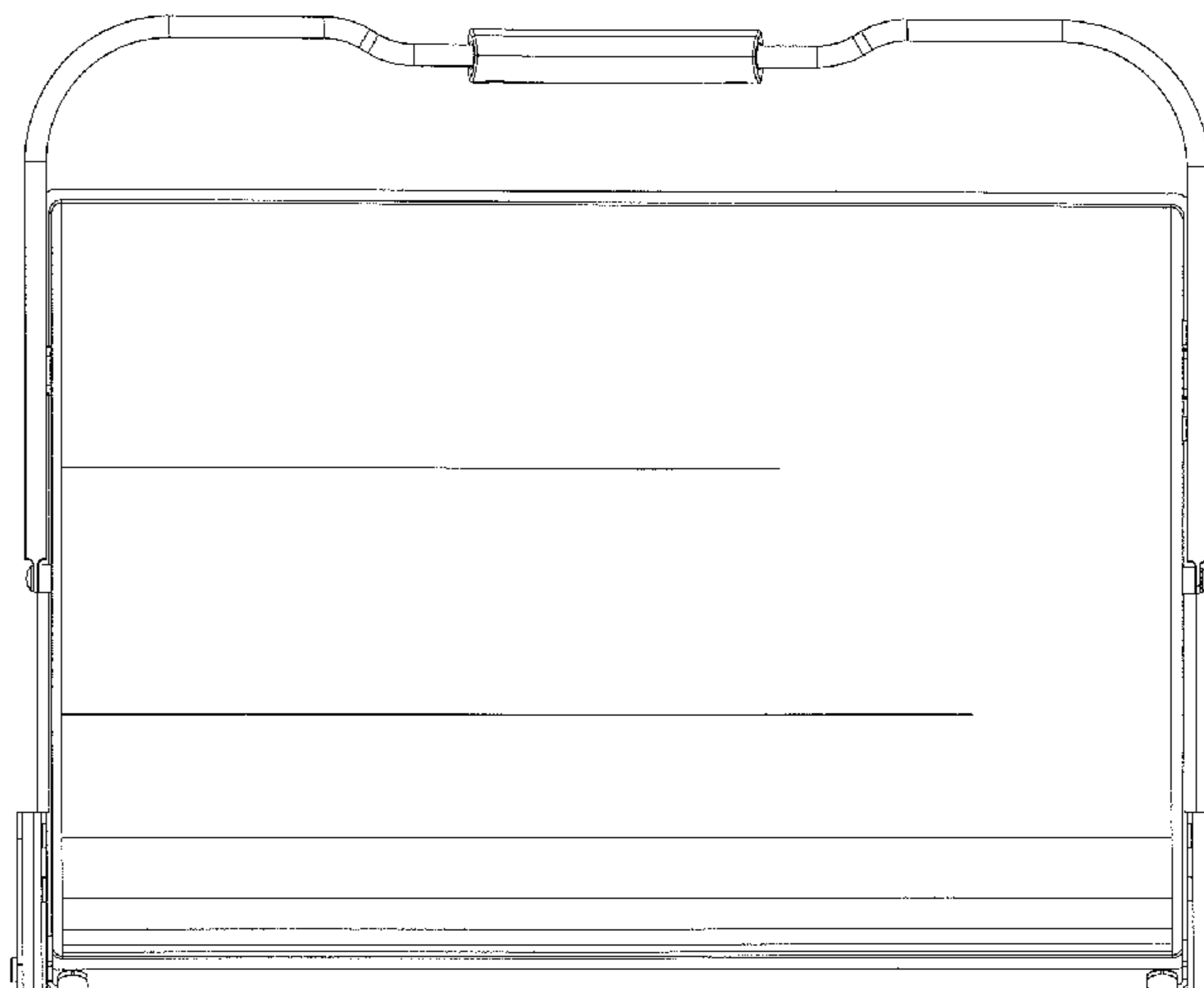
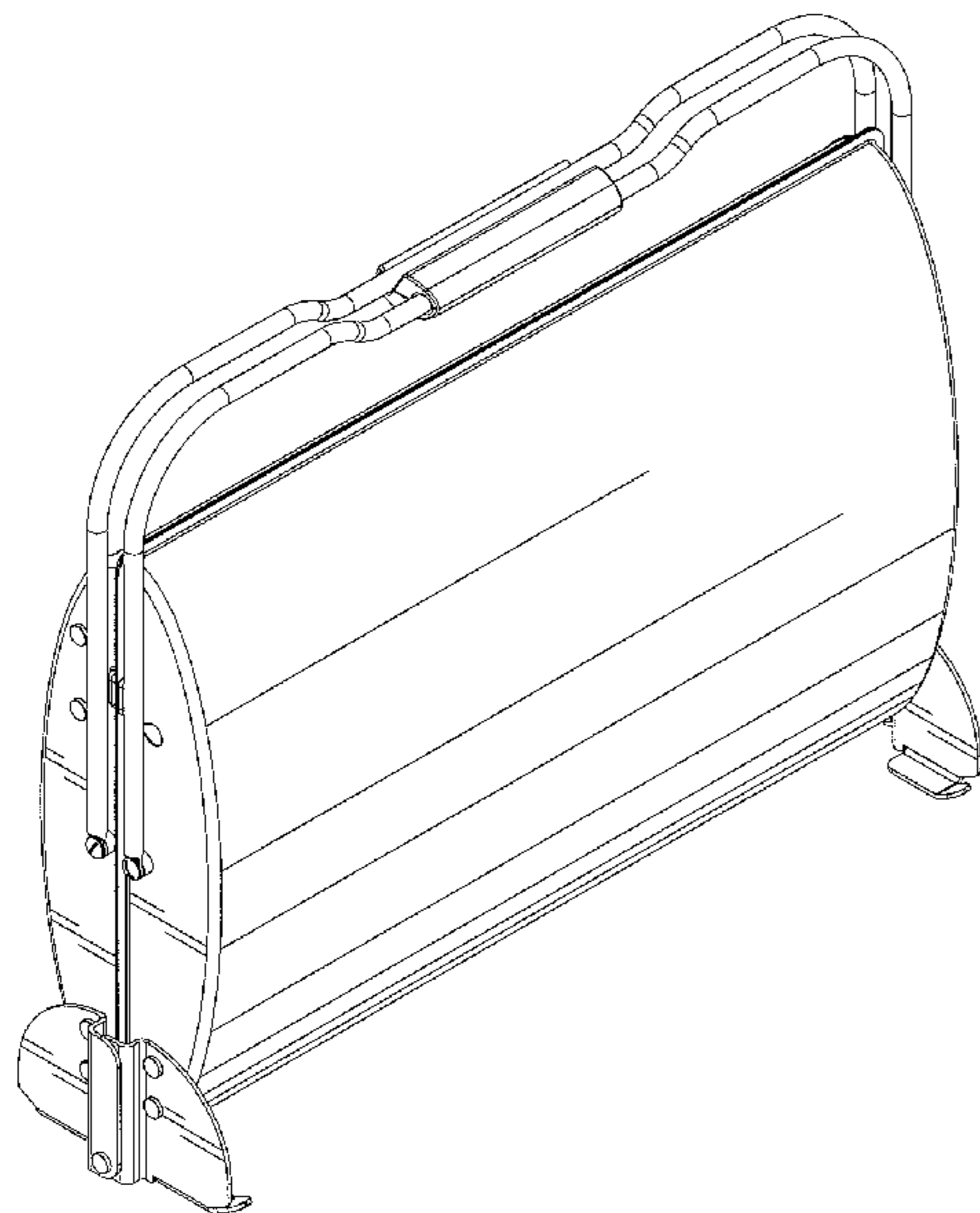
FIG. 5 is a right view thereof;

FIG. 6 is a top view thereof;

FIG. 7 is a bottom view thereof; and,

FIG. 8 is a perspective view thereof showing the barbecue stove in use.

1 Claim, 6 Drawing Sheets



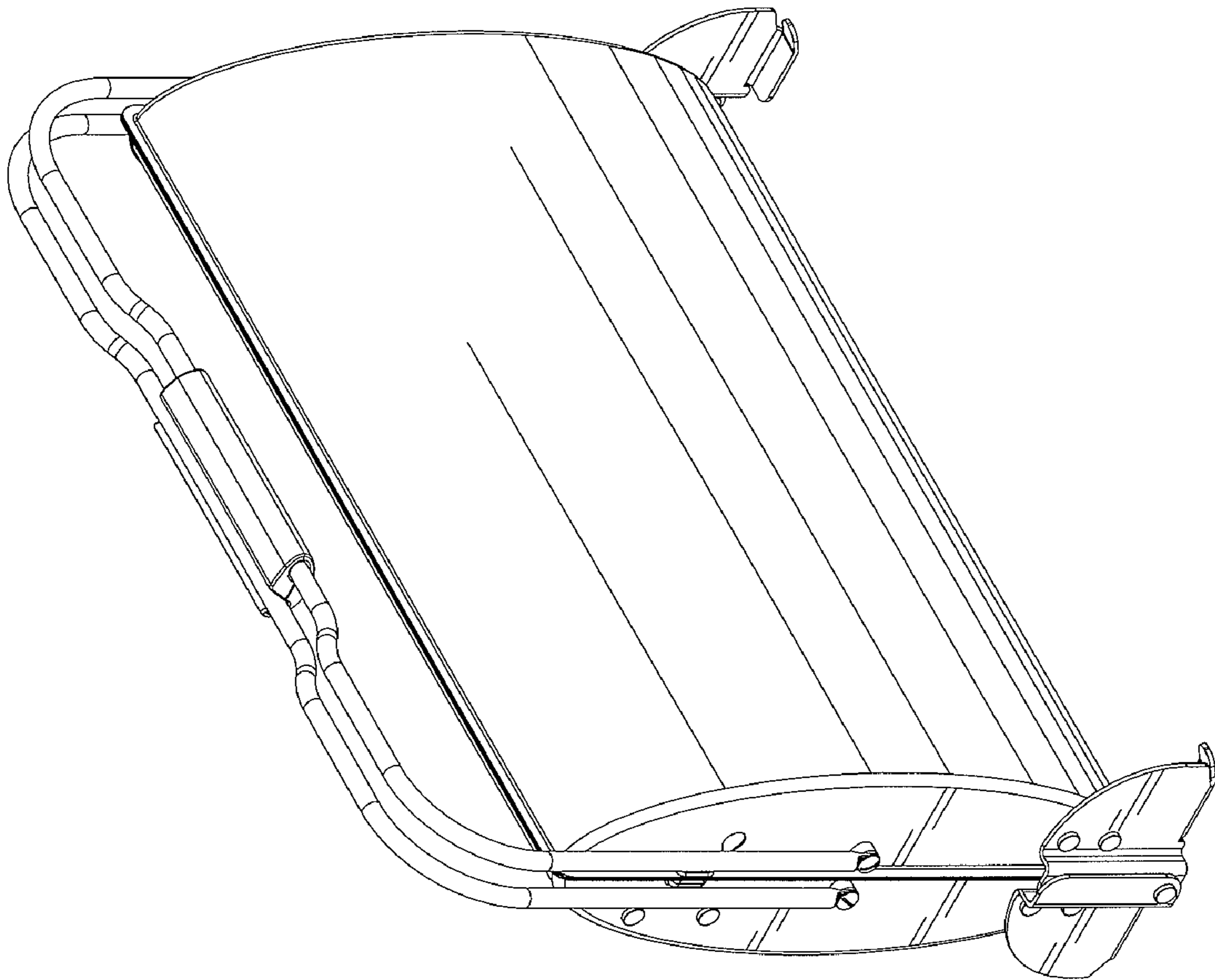


FIG. 1

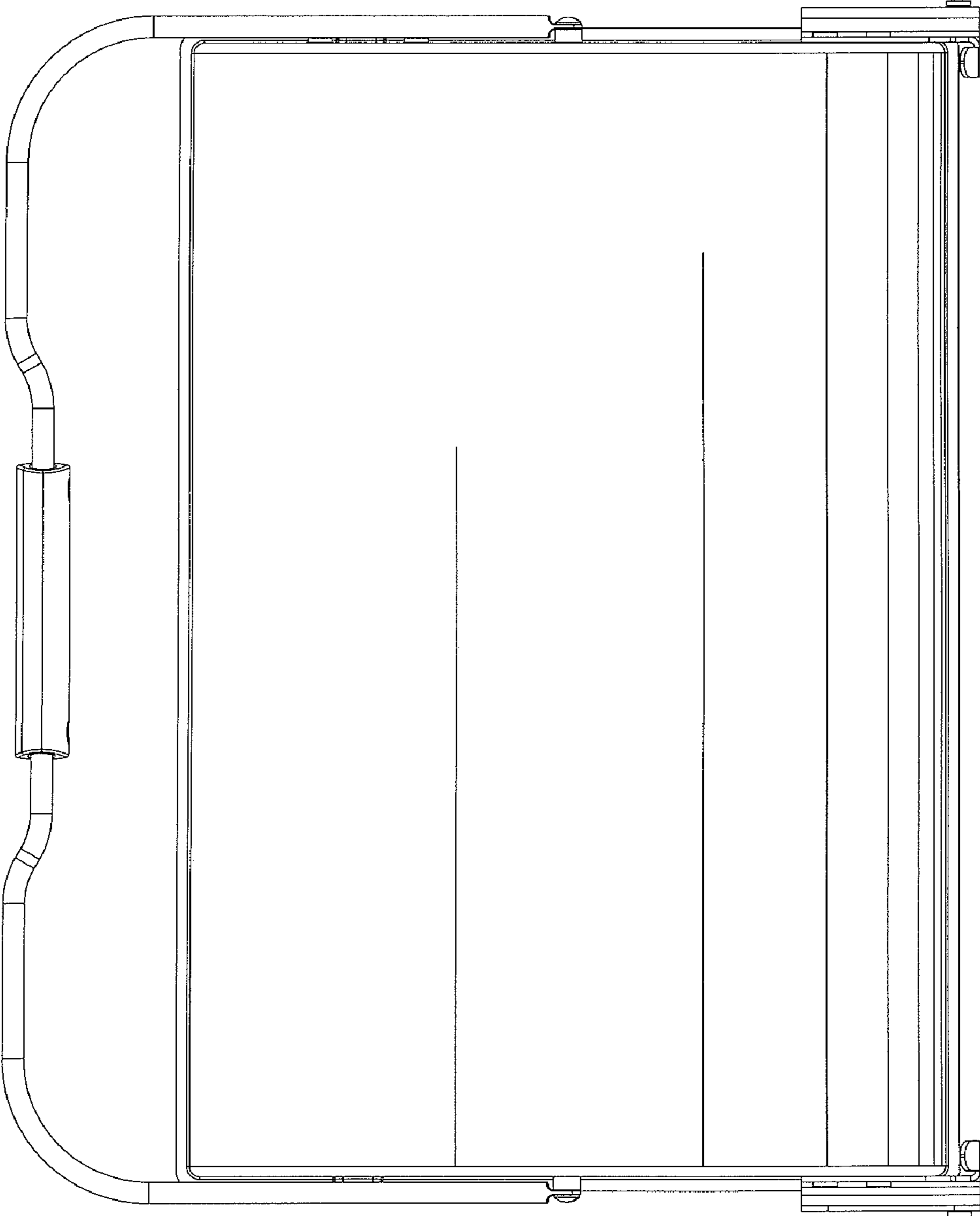


FIG . 2

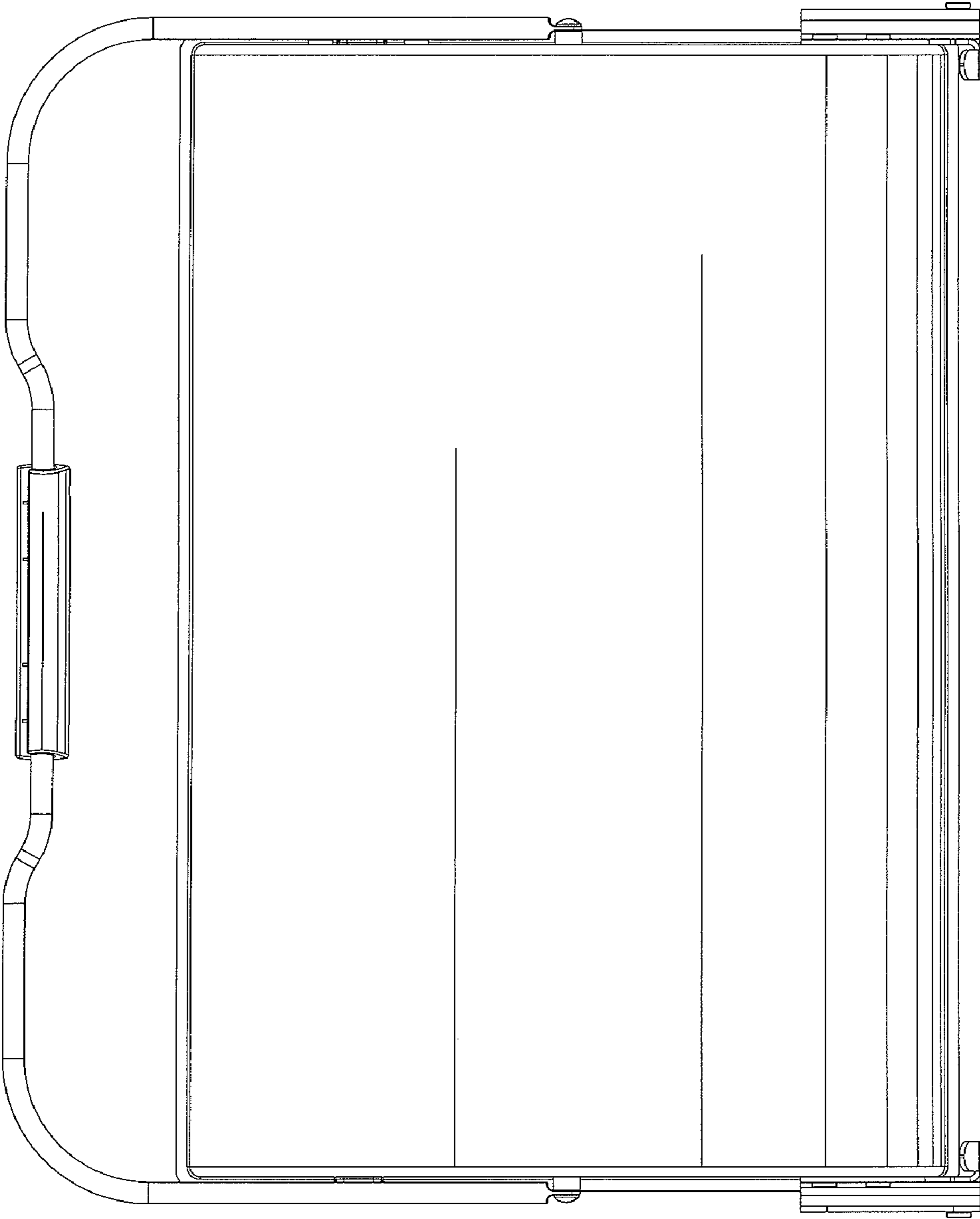


FIG . 3

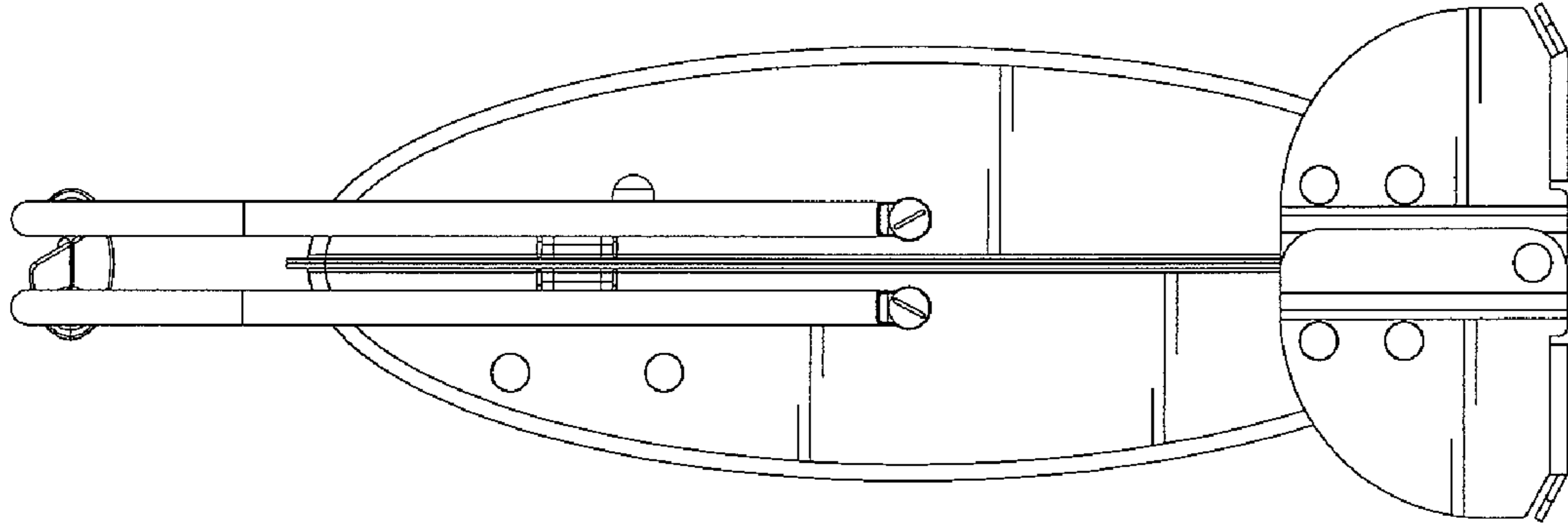


FIG. 4

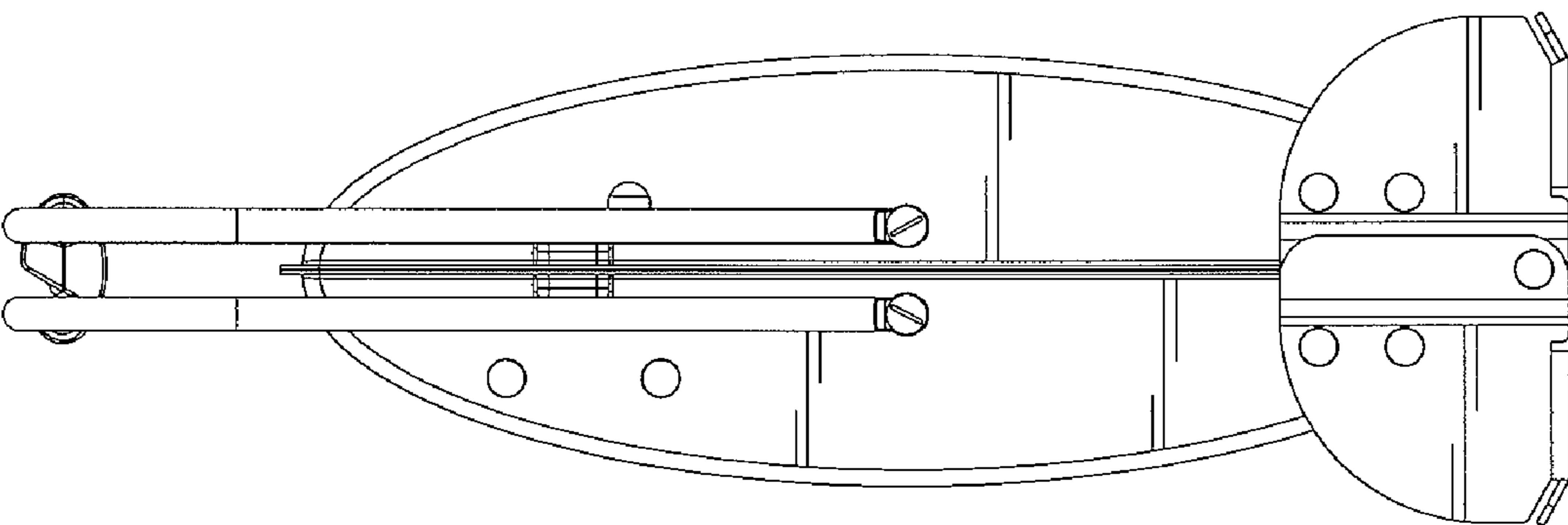


FIG. 5

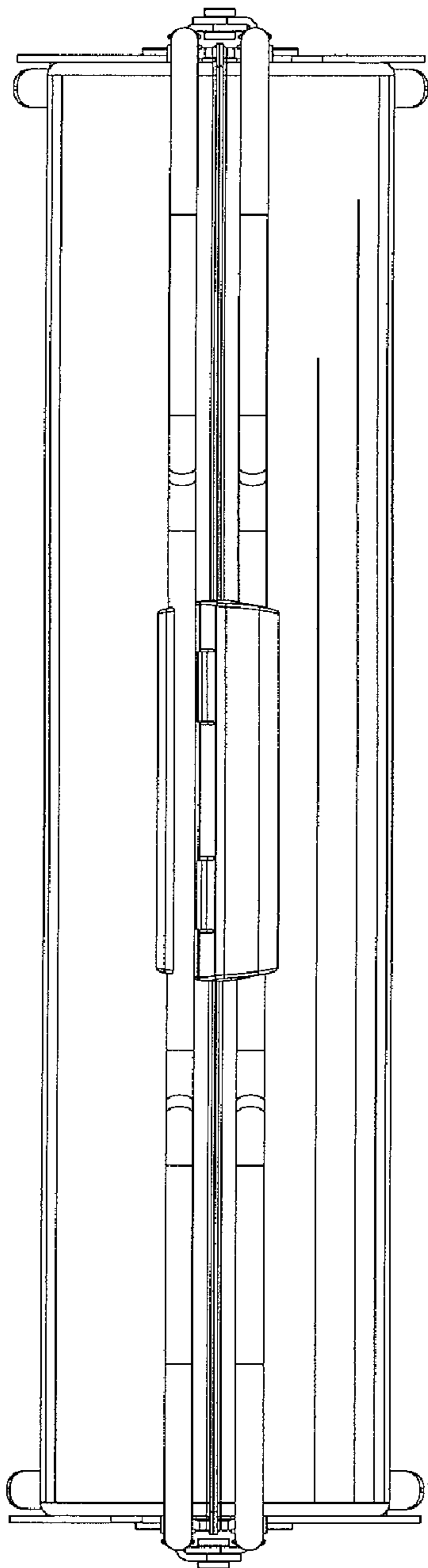


FIG. 6

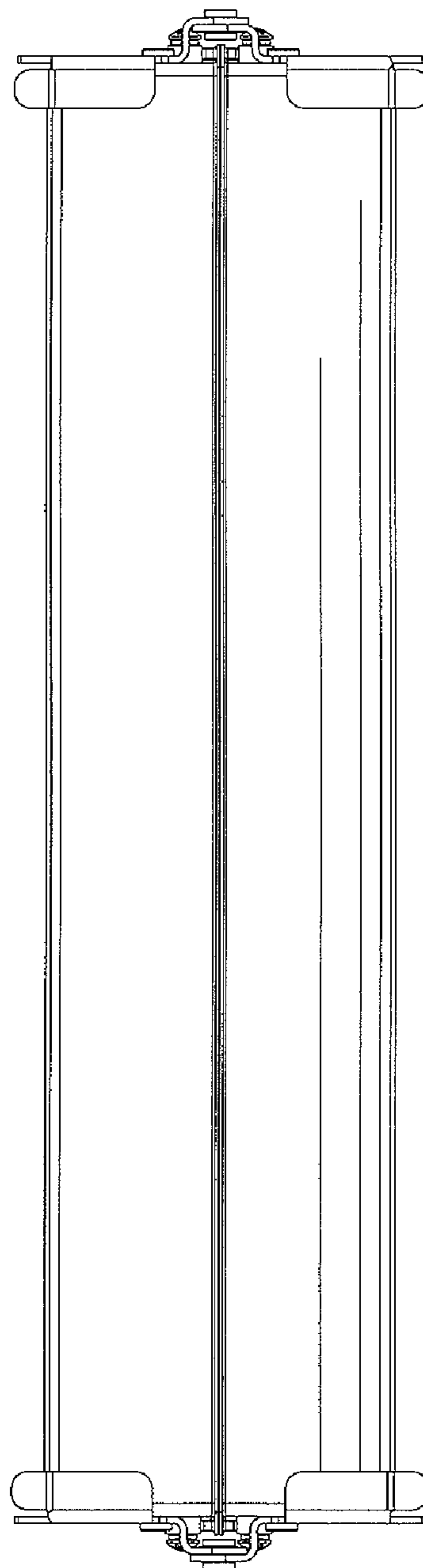


FIG. 7

FIG. 8

