



US00D637444S

(12) **United States Design Patent**
Lipson

(10) **Patent No.:** **US D637,444 S**

(45) **Date of Patent:** **** May 10, 2011**

(54) **BASKETBALL HOOP STRAW**

(76) Inventor: **Erik Lipson**, Philadelphia, PA (US)

(**) Term: **14 Years**

(21) Appl. No.: **29/366,740**

(22) Filed: **Jul. 29, 2010**

(51) **LOC (9) Cl.** **07-06**

(52) **U.S. Cl.** **D7/300.2**

(58) **Field of Classification Search** D7/300.2,
D7/376, 398, 643, 688; D24/147; D9/436;
D19/42; 30/123.3, 141; 215/229, 388, 389;
239/16, 17, 24-33; D21/702

See application file for complete search history.

(56) **References Cited**

U.S. PATENT DOCUMENTS

3,425,626	A	*	2/1969	Dietz et al.	239/33
D262,176	S	*	12/1981	Kamin et al.	D7/300.2
D290,213	S	*	6/1987	Imotani	D7/300.2
D324,925	S	*	3/1992	Locklear et al.	D21/702
D366,669	S	*	1/1996	McCartney et al.	D19/42

D372,624	S	*	8/1996	Chein	D7/300.2
D467,460	S	*	12/2002	Swanson et al.	D7/300.2
D494,002	S	*	8/2004	Killips	D7/300.2

* cited by examiner

Primary Examiner — Cynthia M Chin

(74) *Attorney, Agent, or Firm* — Gifford, Krass, Sprinkle, Anderson & Citkowski, P.C.

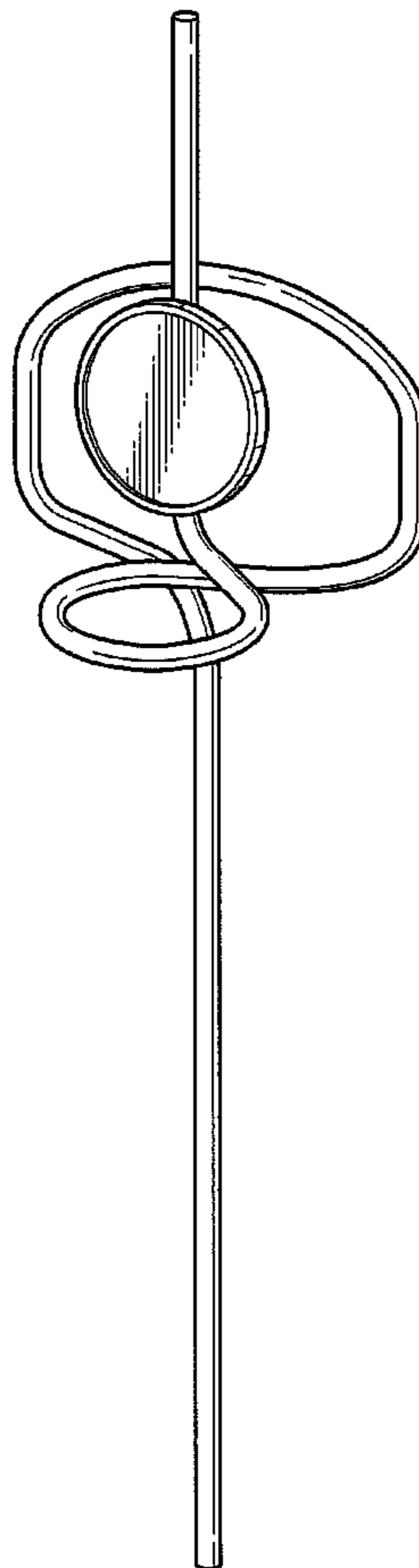
(57) **CLAIM**

The ornamental design for a basketball hoop straw, as shown and described.

DESCRIPTION

FIG. 1 is a view from a front perspective of the right side of a basketball hoop straw showing my new design;
FIG. 2 is a front view of the basketball hoop straw of FIG. 1;
FIG. 3 is a right side view of the basketball hoop straw of FIG. 1;
FIG. 4 is a rear view of the basketball hoop straw of FIG. 1;
FIG. 5 is a left side view of the basketball hoop straw of FIG. 1;
FIG. 6 is a top view of the basketball hoop straw in FIG. 1; and,
FIG. 7 is a bottom view of the basketball hoop straw of FIG. 1.

1 Claim, 3 Drawing Sheets



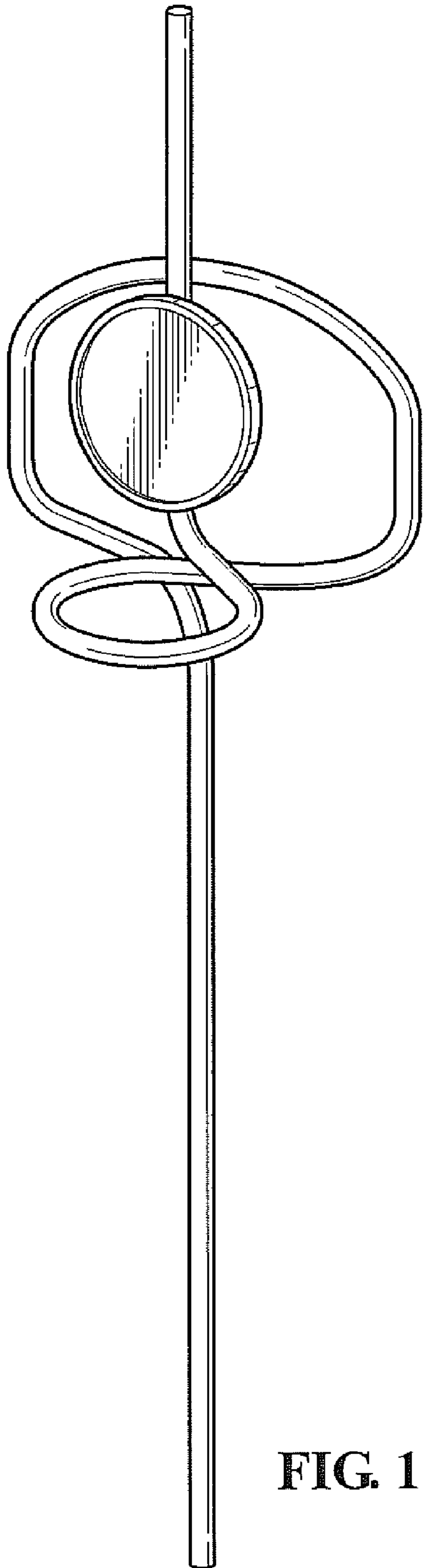


FIG. 1

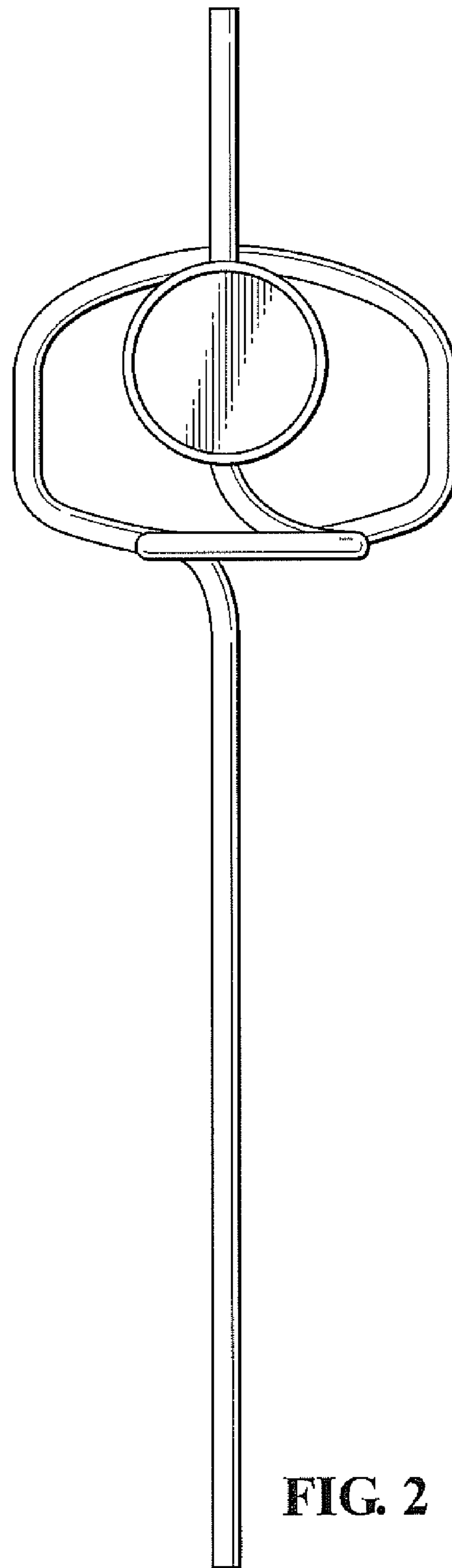


FIG. 2

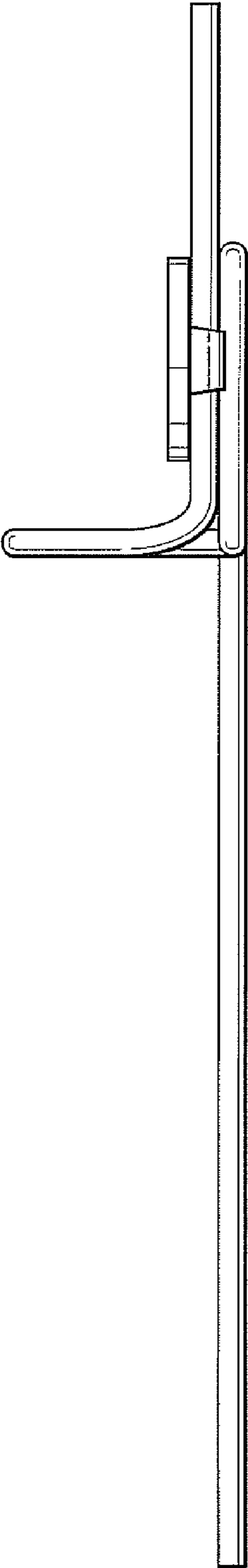


FIG. 3

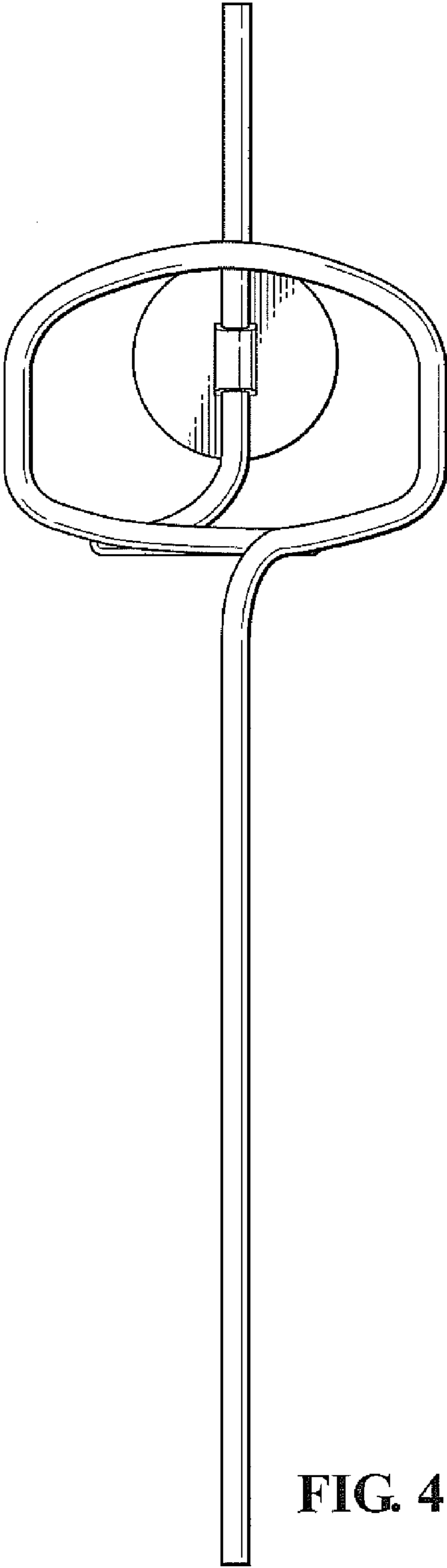


FIG. 4

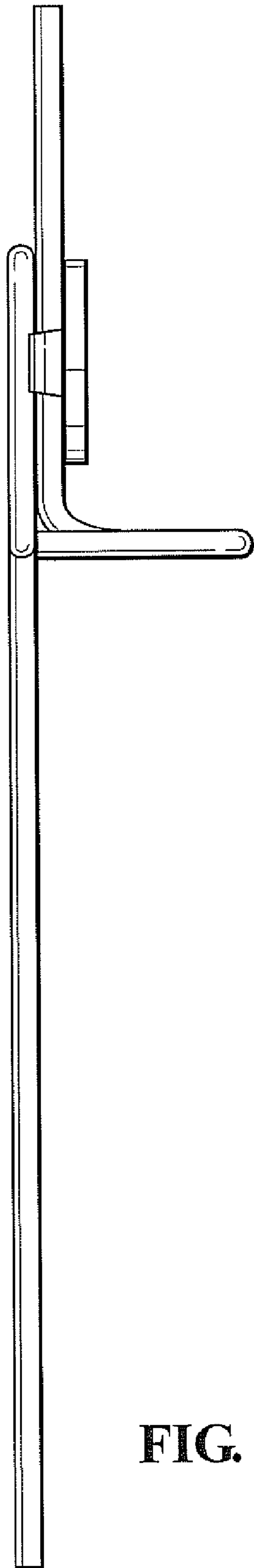


FIG. 5

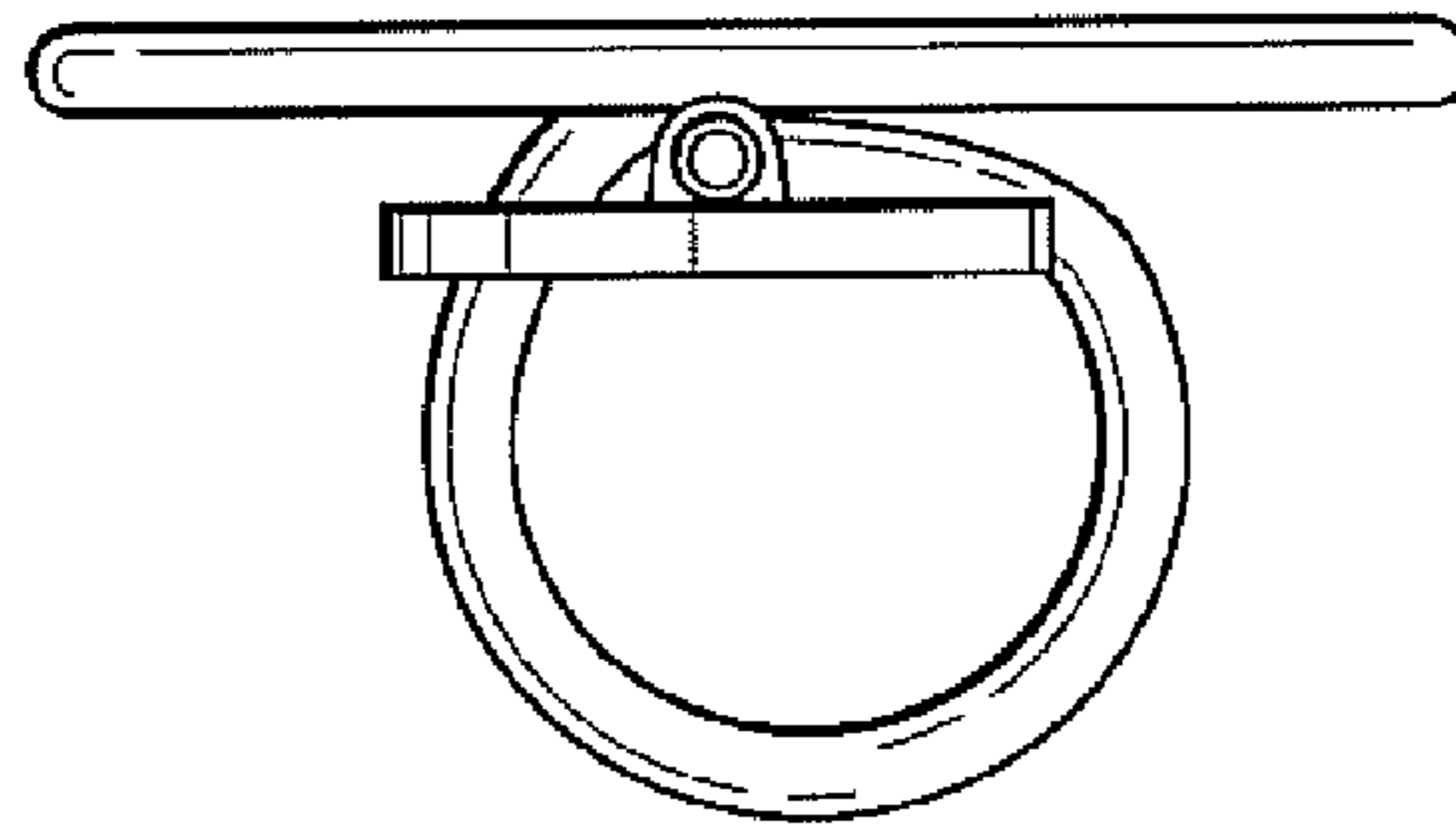


FIG. 6

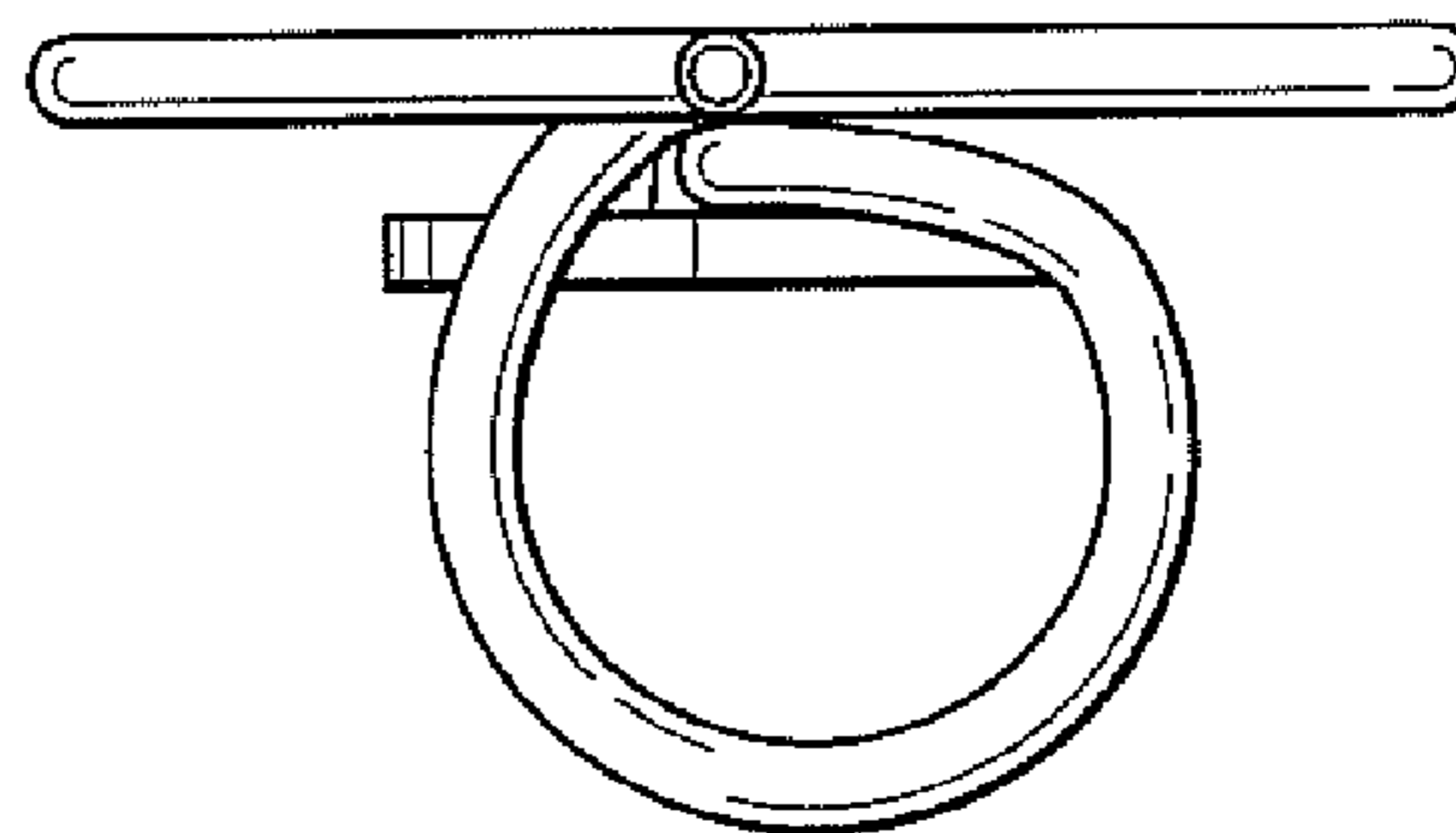


FIG. 7