



US00D637442S

(12) **United States Design Patent**
Fallon et al.

(10) **Patent No.:** **US D637,442 S**
(45) **Date of Patent:** **** May 10, 2011**

(54) **DISPENSER**

(75) Inventors: **Barry Fallon**, Birmingham (GB); **Paul Hanniffy**, Birmingham (GB)

(73) Assignee: **Manitowoc Beverage Systems, Ltd.**,
West Midlands (GB)

(**) Term: **14 Years**

(21) Appl. No.: **29/356,560**

(22) Filed: **Feb. 26, 2010**

(51) **LOC (9) Cl.** **07-01**

(52) **U.S. Cl.** **D7/300; D7/397**

(58) **Field of Classification Search** D7/300,
D7/305, 397, 624.1; 222/153.07, 542, 146.6,
222/608; 62/400

See application file for complete search history.

(56) **References Cited**

U.S. PATENT DOCUMENTS

D101,644 S *	10/1936	Lehman	D7/397
2,917,906 A *	12/1959	Woolley	62/306
D205,825 S *	9/1966	Cornelius	D7/300
4,083,294 A *	4/1978	Petry	99/279
4,164,858 A *	8/1979	Holmes	72/237
4,481,791 A *	11/1984	German	62/400
D341,986 S *	12/1993	Futscher	D7/313

D366,183 S *	1/1996	Sintchak	D7/388
D382,760 S *	8/1997	Priest	D7/305
6,010,043 A *	1/2000	Williamson et al.	222/608
D600,976 S *	9/2009	Chen	D7/397
7,757,908 B1 *	7/2010	Buhl, Jr.	222/608

* cited by examiner

Primary Examiner — Marianne Pandozzi

(74) *Attorney, Agent, or Firm* — Ohlandt, Greeley, Ruggiero & Perle, L.L.P.

(57) **CLAIM**

The ornamental design for a dispenser, as shown and described.

DESCRIPTION

FIG. 1 is a top perspective view of a dispenser showing our new design;

FIG. 2 is a top view of the dispenser of FIG. 1;

FIG. 3 is a bottom view of the dispenser of FIG. 1;

FIG. 4 is a front view of the dispenser of FIG. 1;

FIG. 5 is a rear view of the dispenser of FIG. 1;

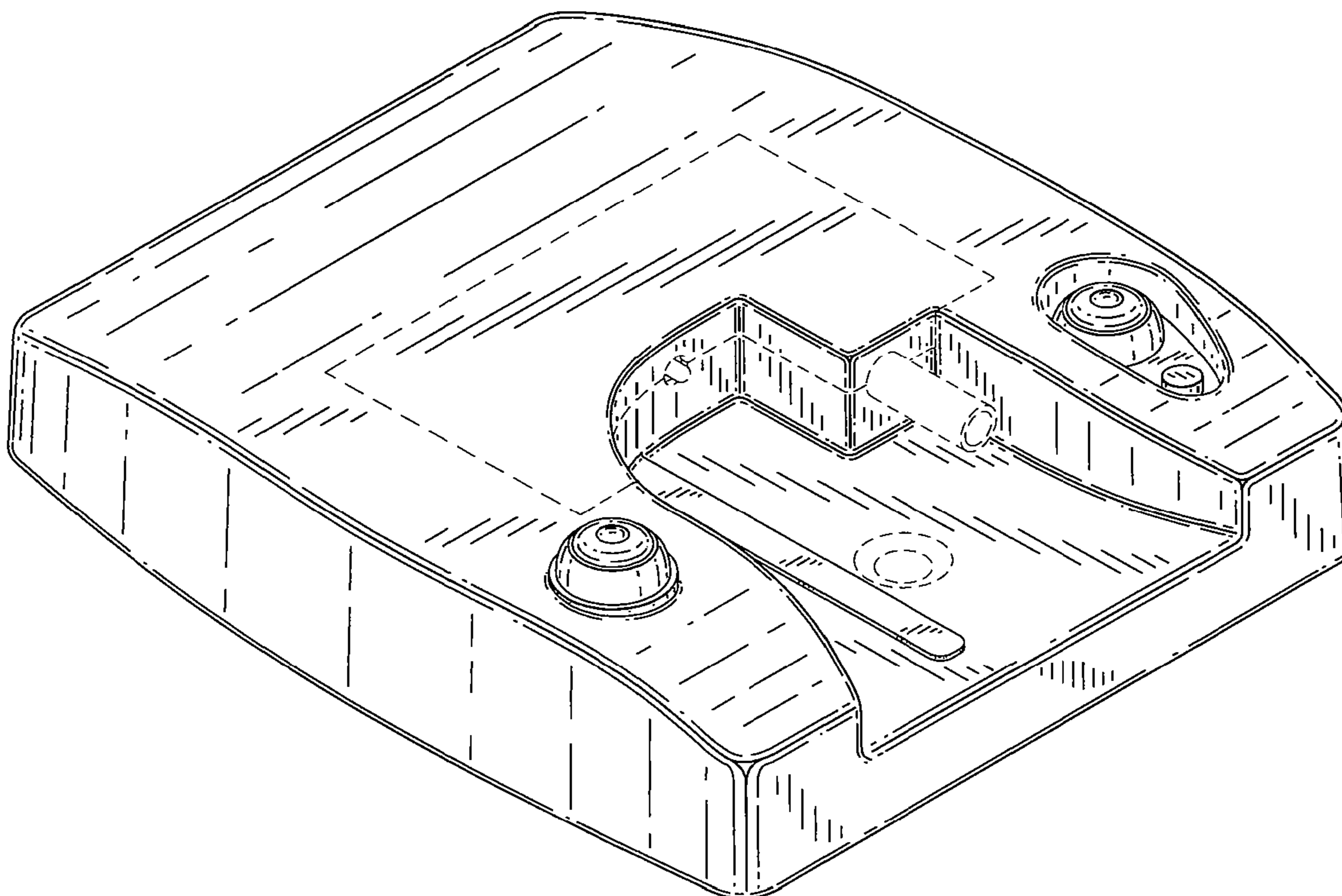
FIG. 6 is a right side view of the dispenser of FIG. 1;

FIG. 7 is a left side view of the dispenser of FIG. 1; and,

FIG. 8 is an in use perspective view thereof.

The broken lines in the drawings are included for the purpose of illustration and form no part of the claimed design.

1 Claim, 6 Drawing Sheets



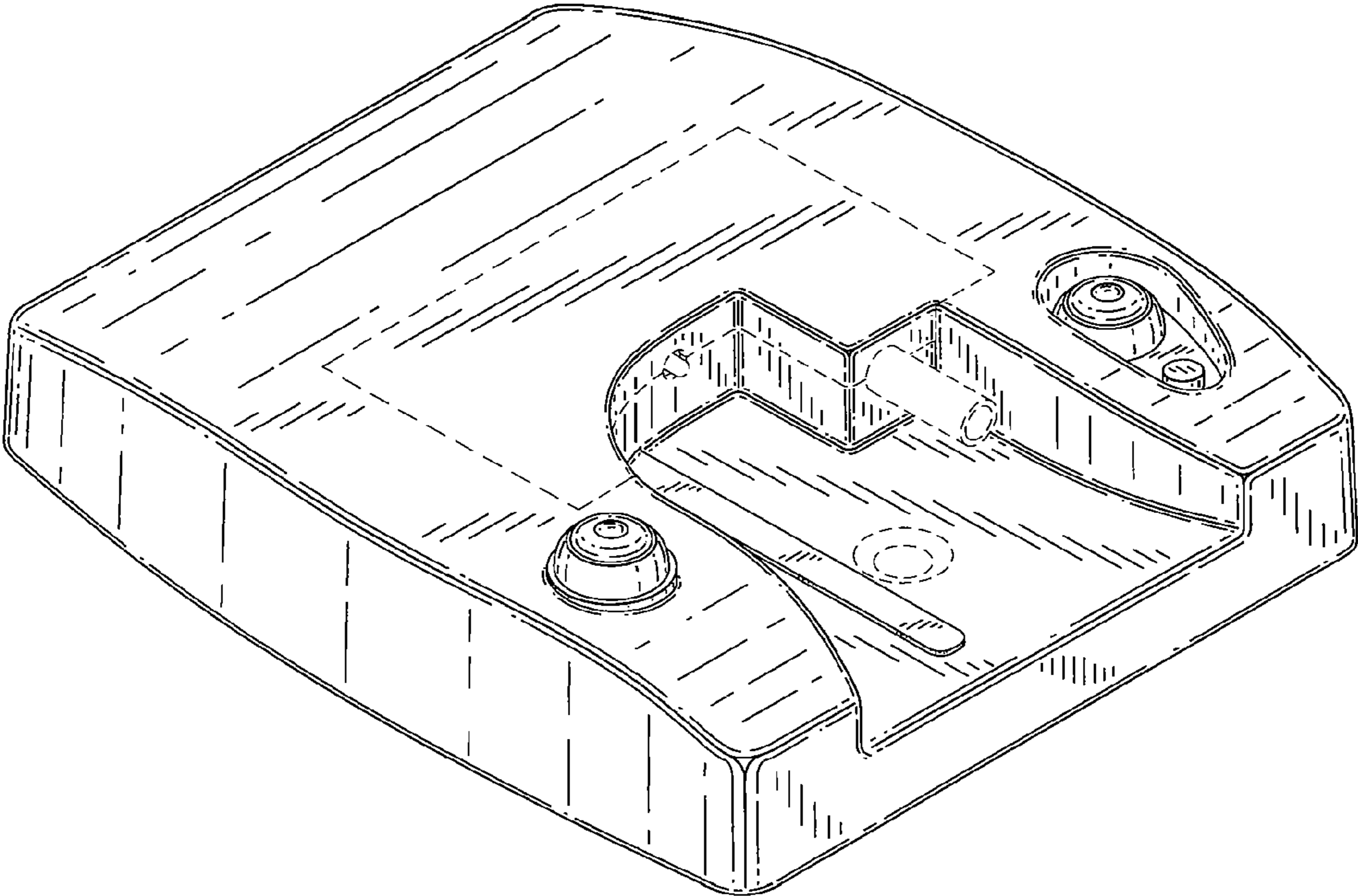


FIG. 1

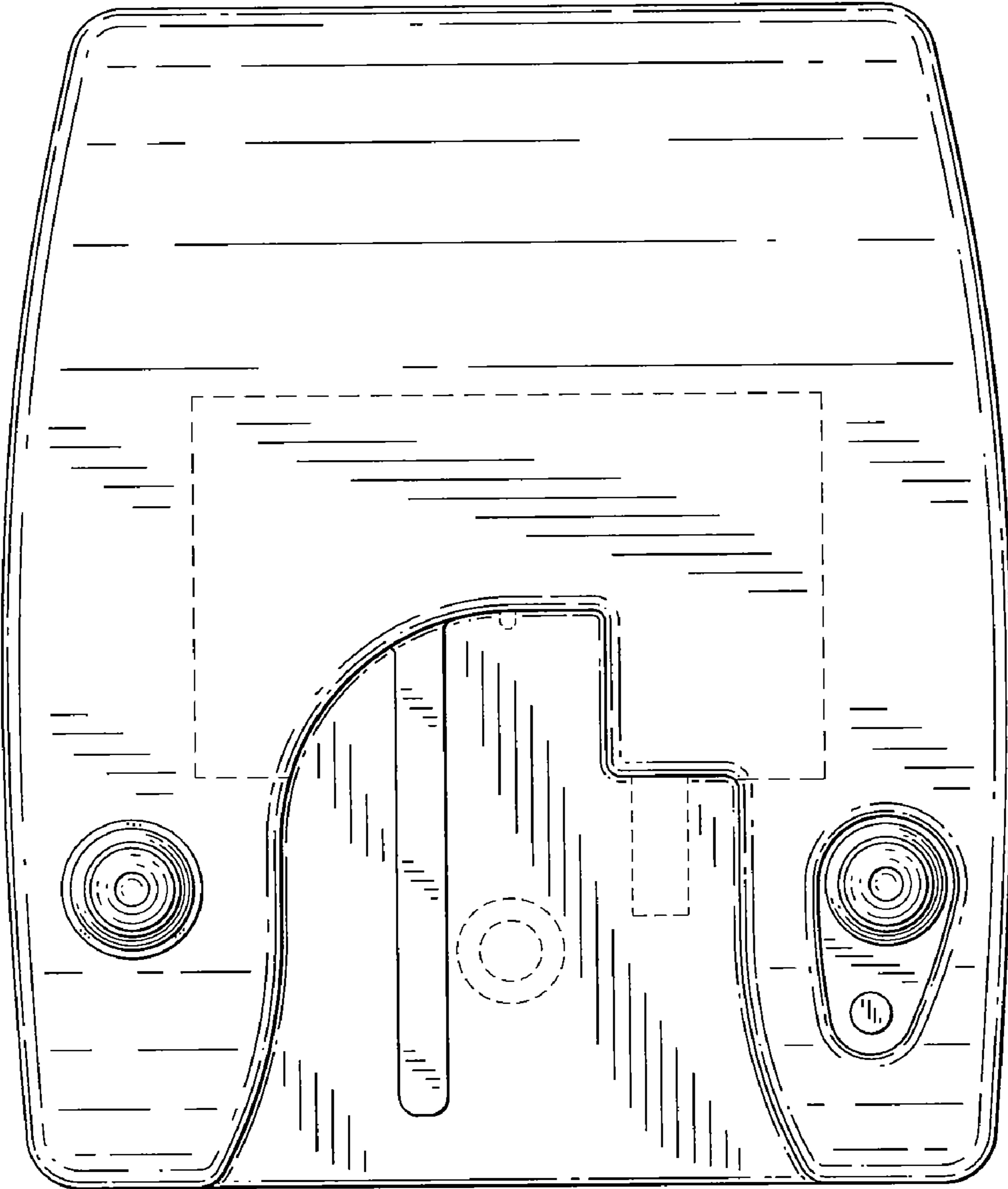


FIG. 2

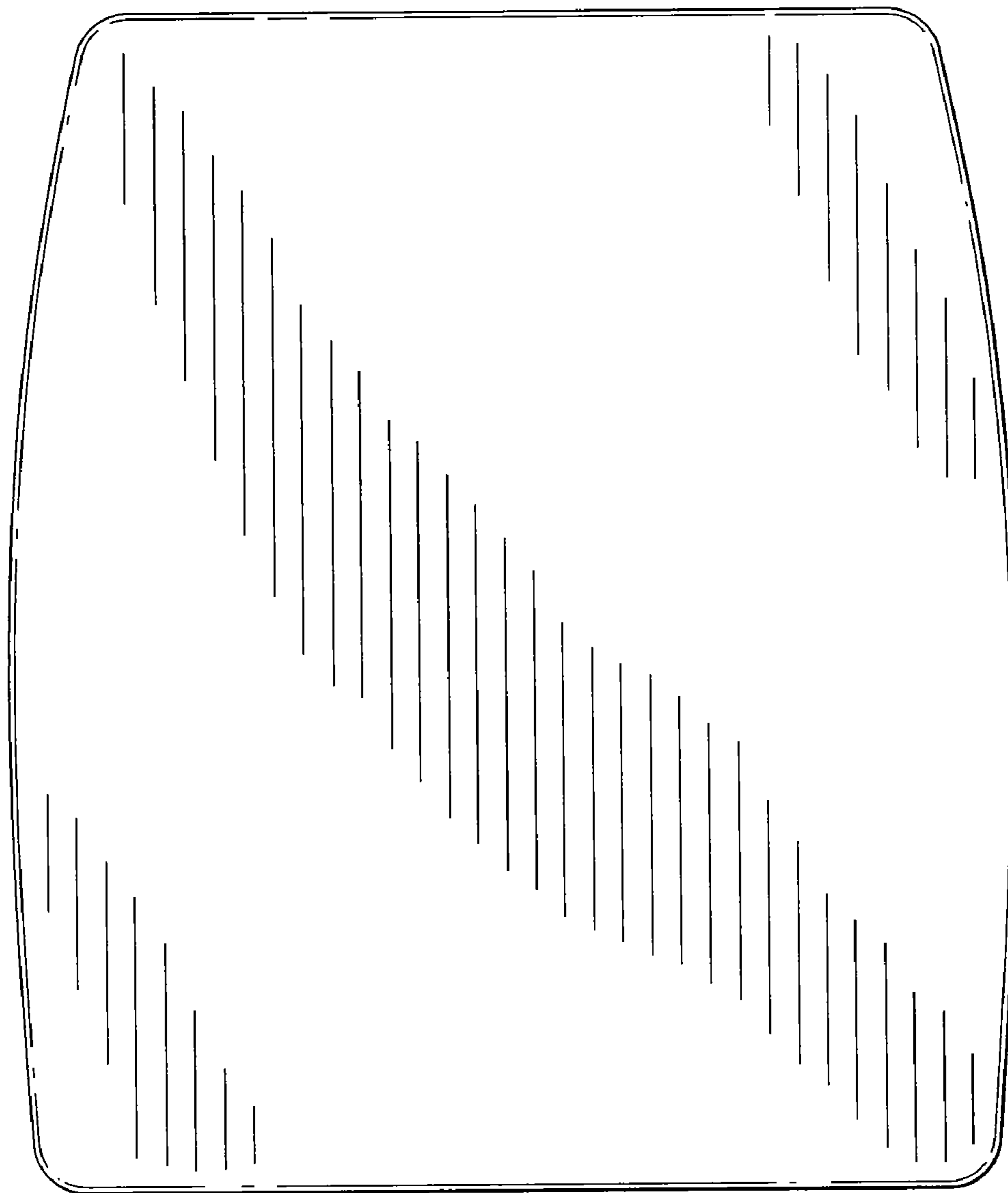


FIG. 3

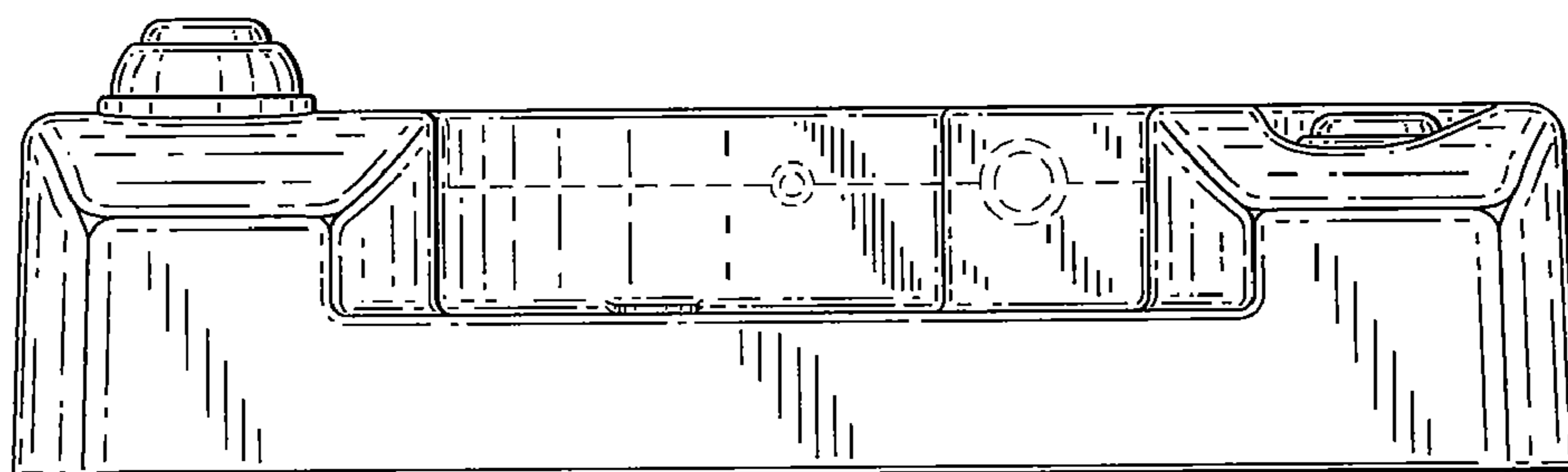


FIG. 4

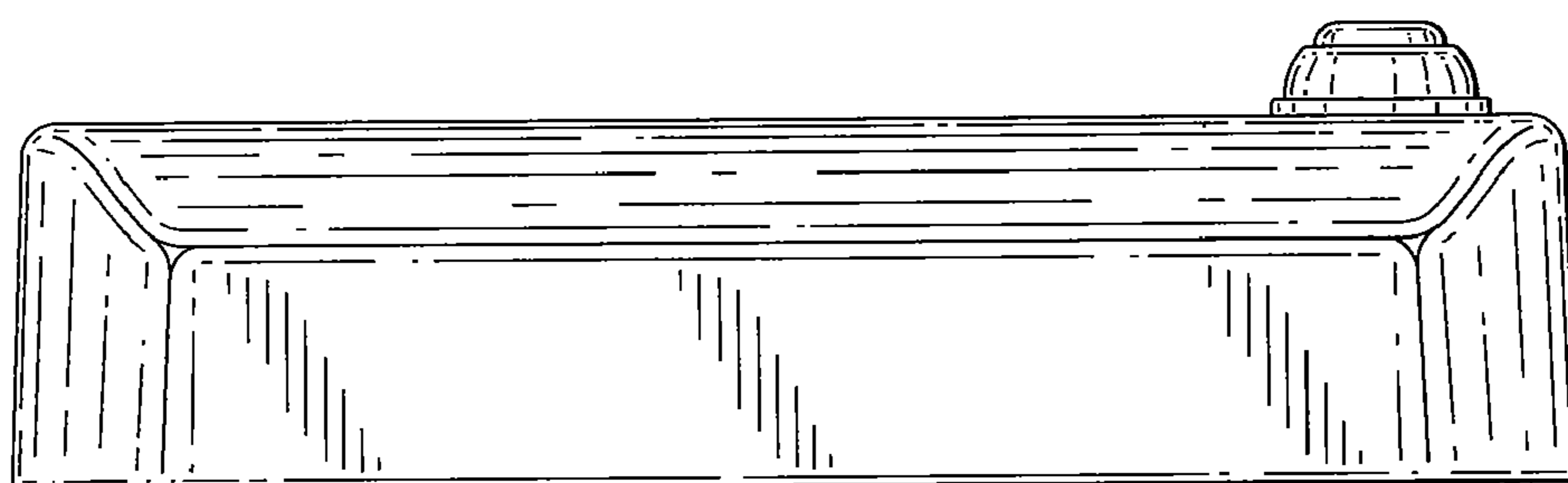


FIG. 5

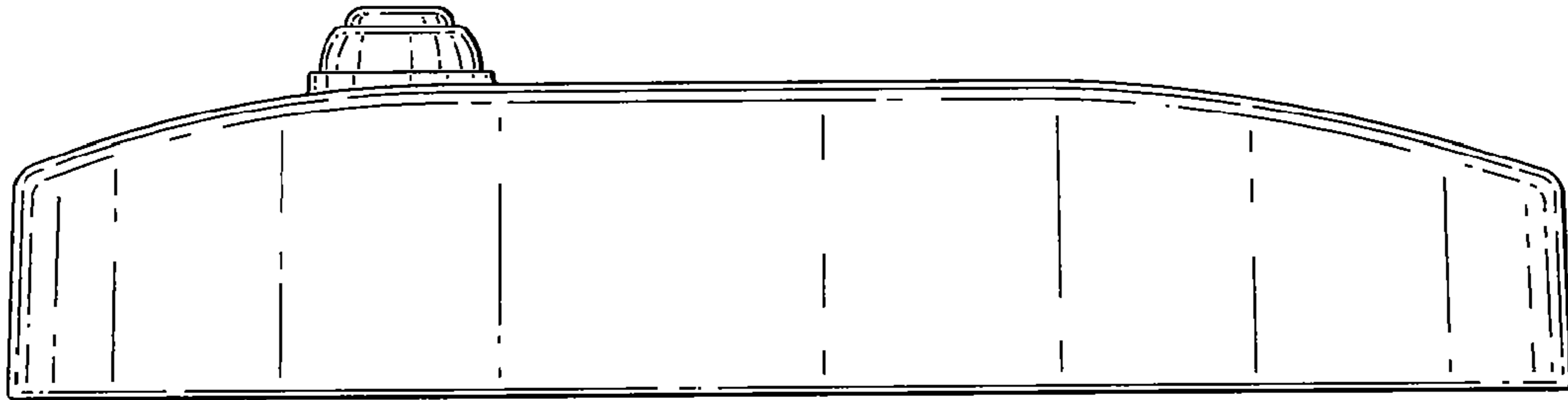


FIG. 6

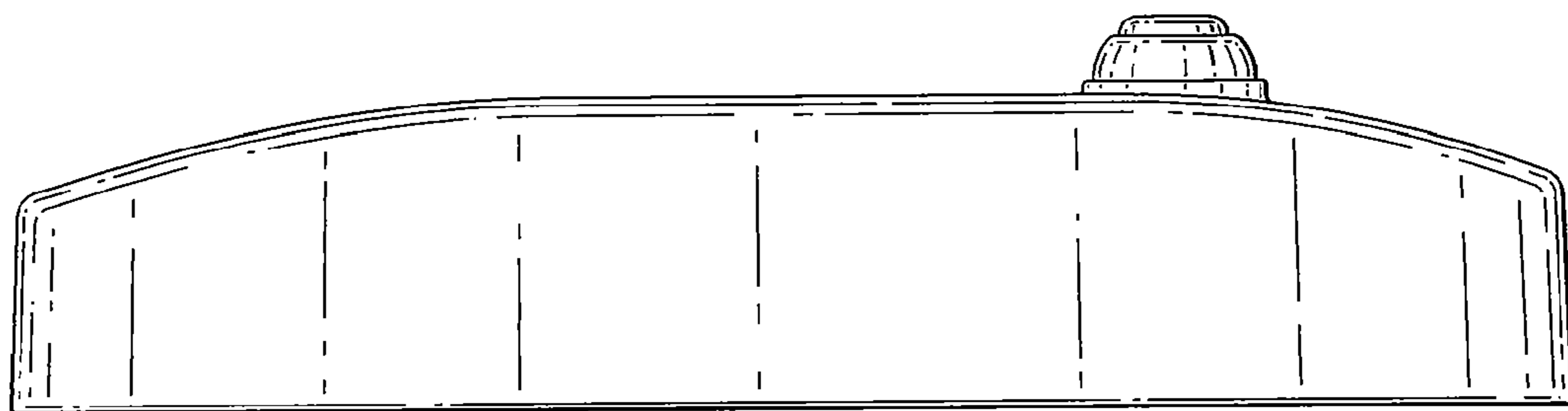


FIG. 7

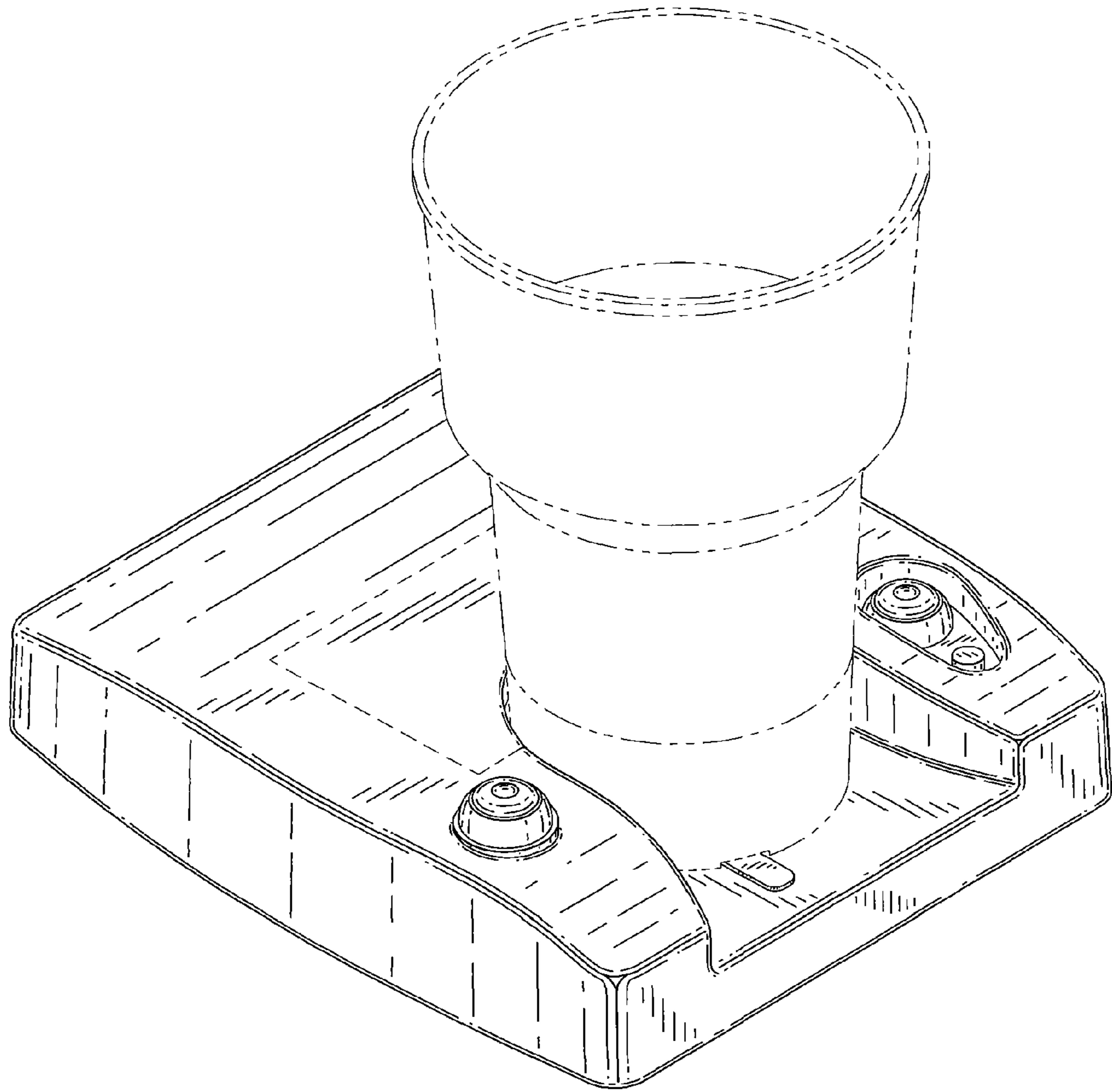


FIG. 8