

US00D637437S

(12) **United States Design Patent**  
**Lewis, II**

(10) **Patent No.:** **US D637,437 S**

(45) **Date of Patent:** **\*\* May 10, 2011**

(54) **PILLOWCASE**

(76) **Inventor:** **John Lewis, II**, Glen Allen, VA (US)

(\*\*) **Term:** **14 Years**

(21) **Appl. No.:** **29/361,071**

(22) **Filed:** **May 5, 2010**

(51) **LOC (9) Cl.** ..... **06-09**

(52) **U.S. Cl.** ..... **D6/601**

(58) **Field of Classification Search** ..... D6/595–601,  
D6/604, 606, 610, 611; 5/482, 483, 485–487,  
5/489–492, 497, 502, 636, 641; D21/803;  
D30/118; 119/526; 150/154, 158  
See application file for complete search history.

(56) **References Cited**

**U.S. PATENT DOCUMENTS**

|              |      |         |                    |         |
|--------------|------|---------|--------------------|---------|
| 1,617,822    | A *  | 2/1927  | O'Leary            | 5/641   |
| 3,109,474    | A *  | 11/1963 | Levi               | 150/158 |
| D309,392     | S *  | 7/1990  | Hafvenstein et al. | D6/601  |
| 5,157,799    | A *  | 10/1992 | Aird               | 5/490   |
| 5,168,590    | A *  | 12/1992 | O'Sullivan         | 5/490   |
| 5,940,909    | A *  | 8/1999  | Sapp               | 5/490   |
| 5,970,919    | A *  | 10/1999 | Mooney             | 119/526 |
| 6,668,400    | B1 * | 12/2003 | Nichols et al.     | 5/485   |
| 7,089,617    | B1 * | 8/2006  | Lauro              | 5/636   |
| D628,423     | S *  | 12/2010 | Kratzer            | D6/601  |
| 2001/0044963 | A1 * | 11/2001 | Sky et al.         | 5/482   |
| 2006/0010599 | A1 * | 1/2006  | Batchler           | 5/482   |
| 2010/0319126 | A1 * | 12/2010 | Craib              | 5/490   |

\* cited by examiner

*Primary Examiner* — Mary Ann Calabrese

(74) *Attorney, Agent, or Firm* — Brian J. Teague

(57) **CLAIM**

I claim the ornamental design for a pillowcase, as shown and described.

**DESCRIPTION**

FIG. 1 is a perspective view of one embodiment of a pillowcase showing the new design.

FIG. 2 is a top view thereof.

FIG. 3 is a bottom view thereof.

FIG. 4 is a front elevational view thereof.

FIG. 5 is a rear elevational view thereof.

FIG. 6 is a right side elevational view thereof.

FIG. 7 is a left side elevational view thereof.

FIG. 8 is a perspective view of an alternative embodiment of a pillowcase.

FIG. 9 is a top view thereof.

FIG. 10 is a bottom view thereof.

FIG. 11 is a front elevational view thereof.

FIG. 12 is a rear elevational view thereof.

FIG. 13 is a right side elevational view thereof.

FIG. 14 is a left side elevational view thereof.

FIG. 15 is a perspective view of an alternative embodiment of a pillowcase.

FIG. 16 is a top view thereof.

FIG. 17 is a bottom view thereof.

FIG. 18 is a front elevational view thereof.

FIG. 19 is a rear elevational view thereof.

FIG. 20 is a right side elevational view thereof.

FIG. 21 is a left side elevational view thereof.

FIG. 22 is a perspective view of an alternative embodiment of a pillowcase.

FIG. 23 is a top view thereof.

FIG. 24 is a bottom view thereof.

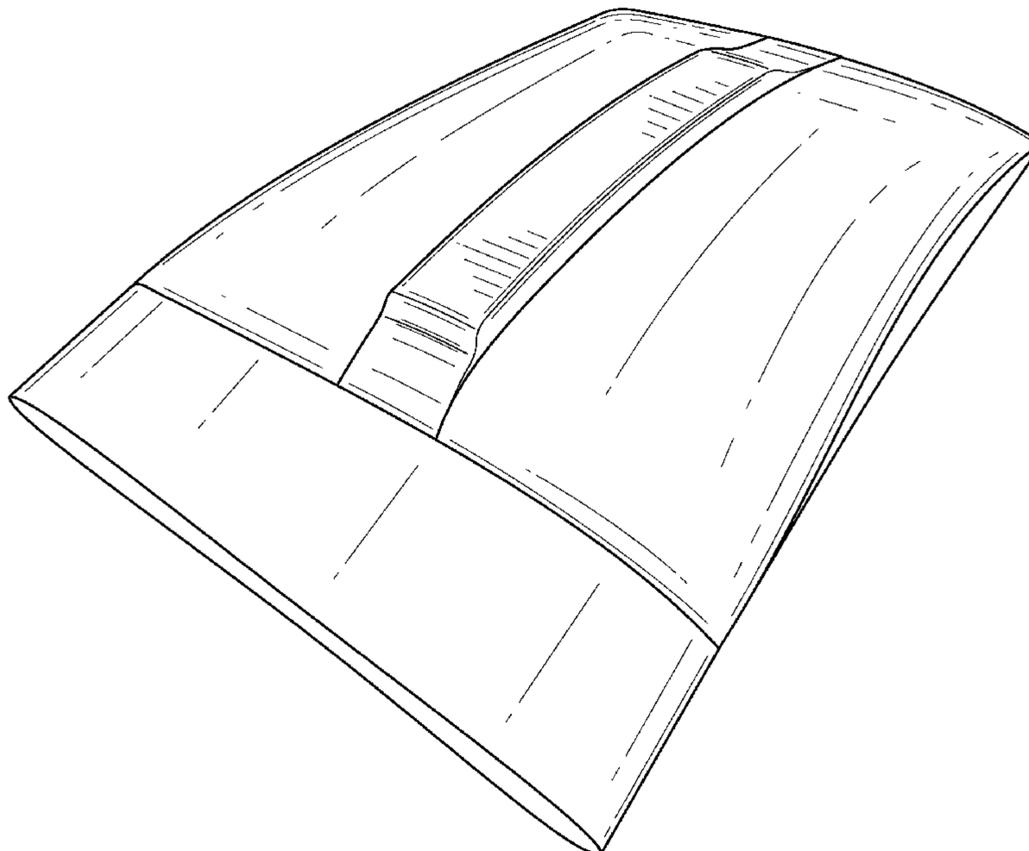
FIG. 25 is a front elevational view thereof.

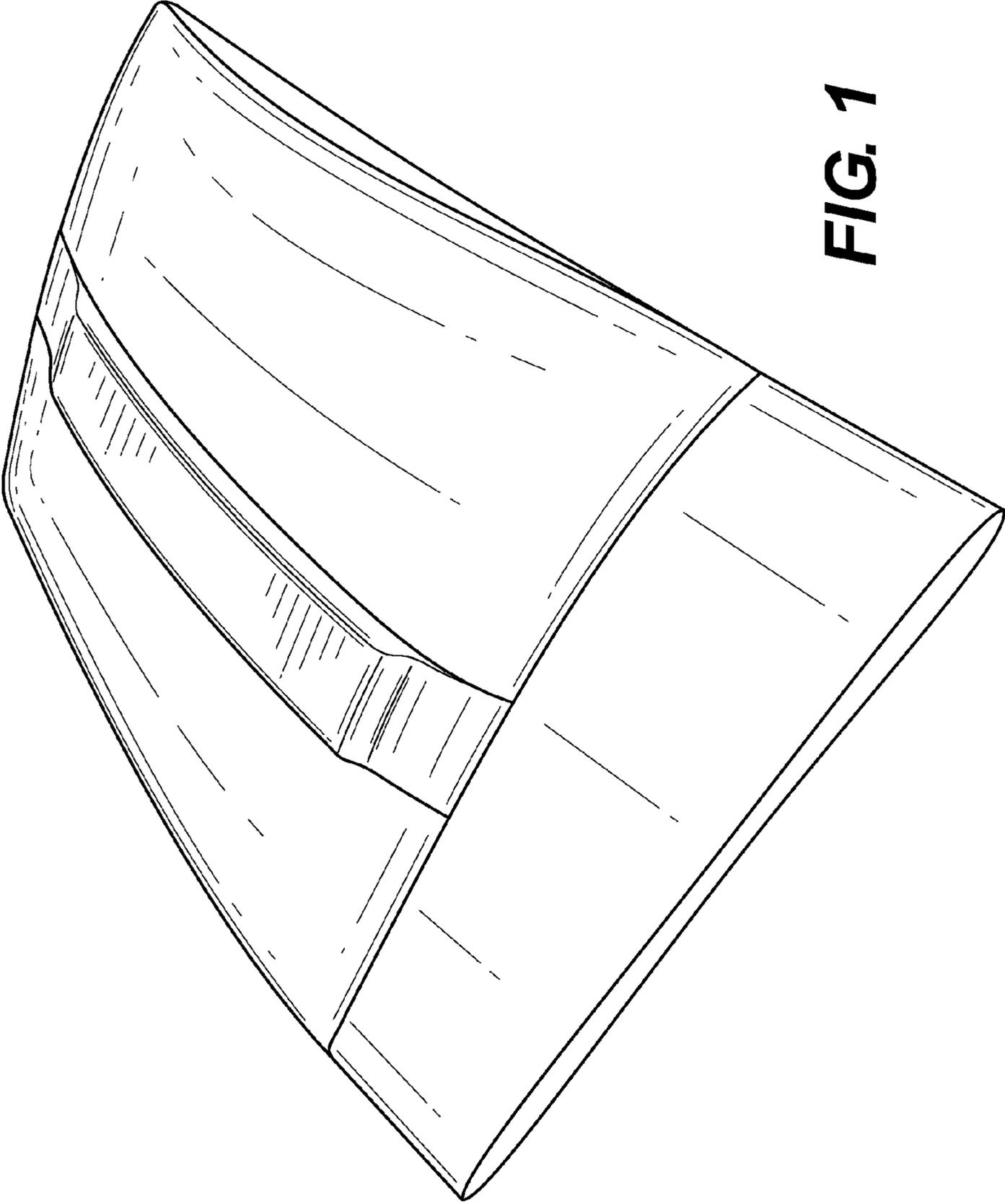
FIG. 26 is a rear elevational view thereof.

FIG. 27 is a right side elevational view thereof; and,

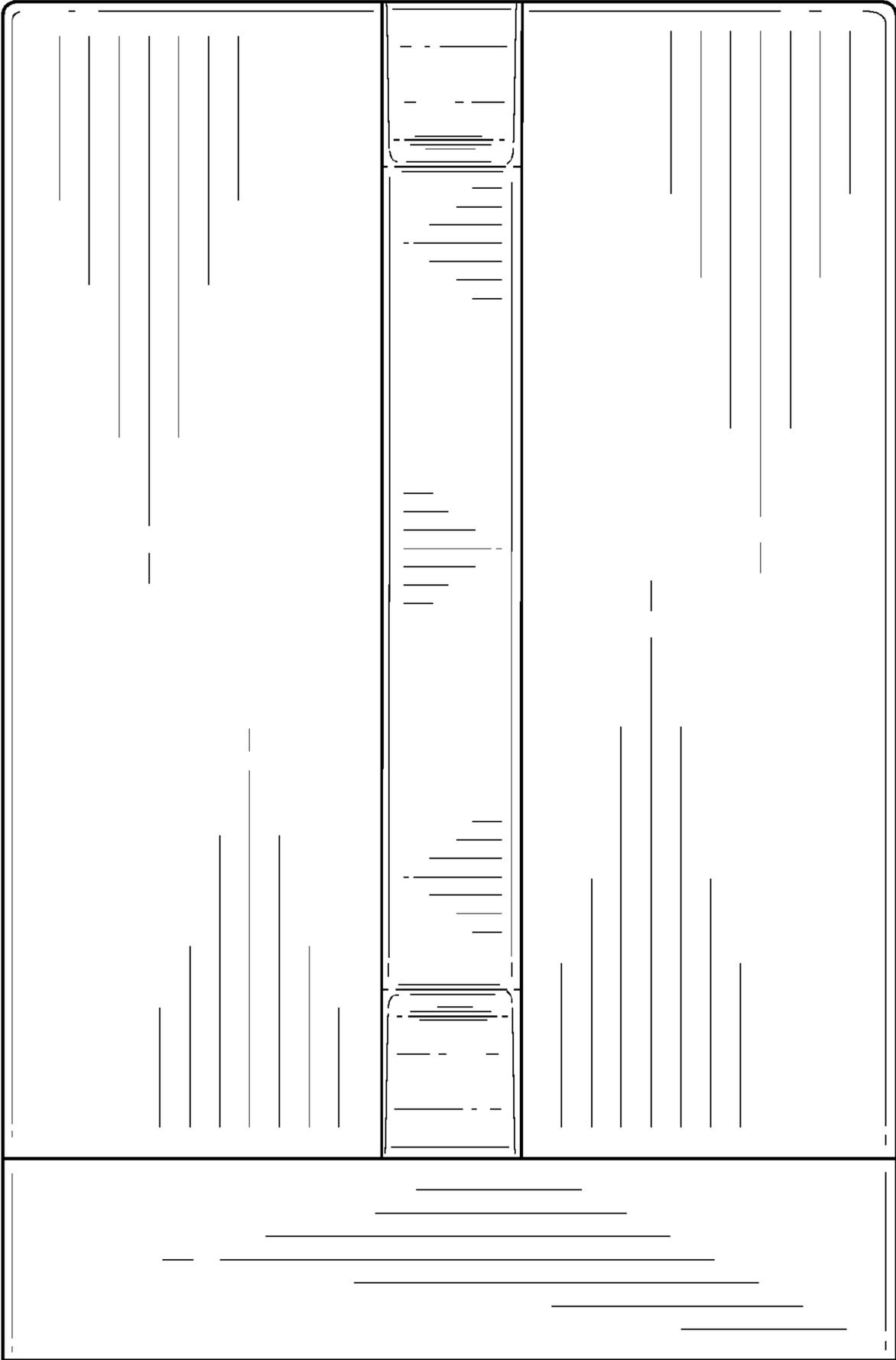
FIG. 28 is a left side elevational view thereof.

**1 Claim, 20 Drawing Sheets**

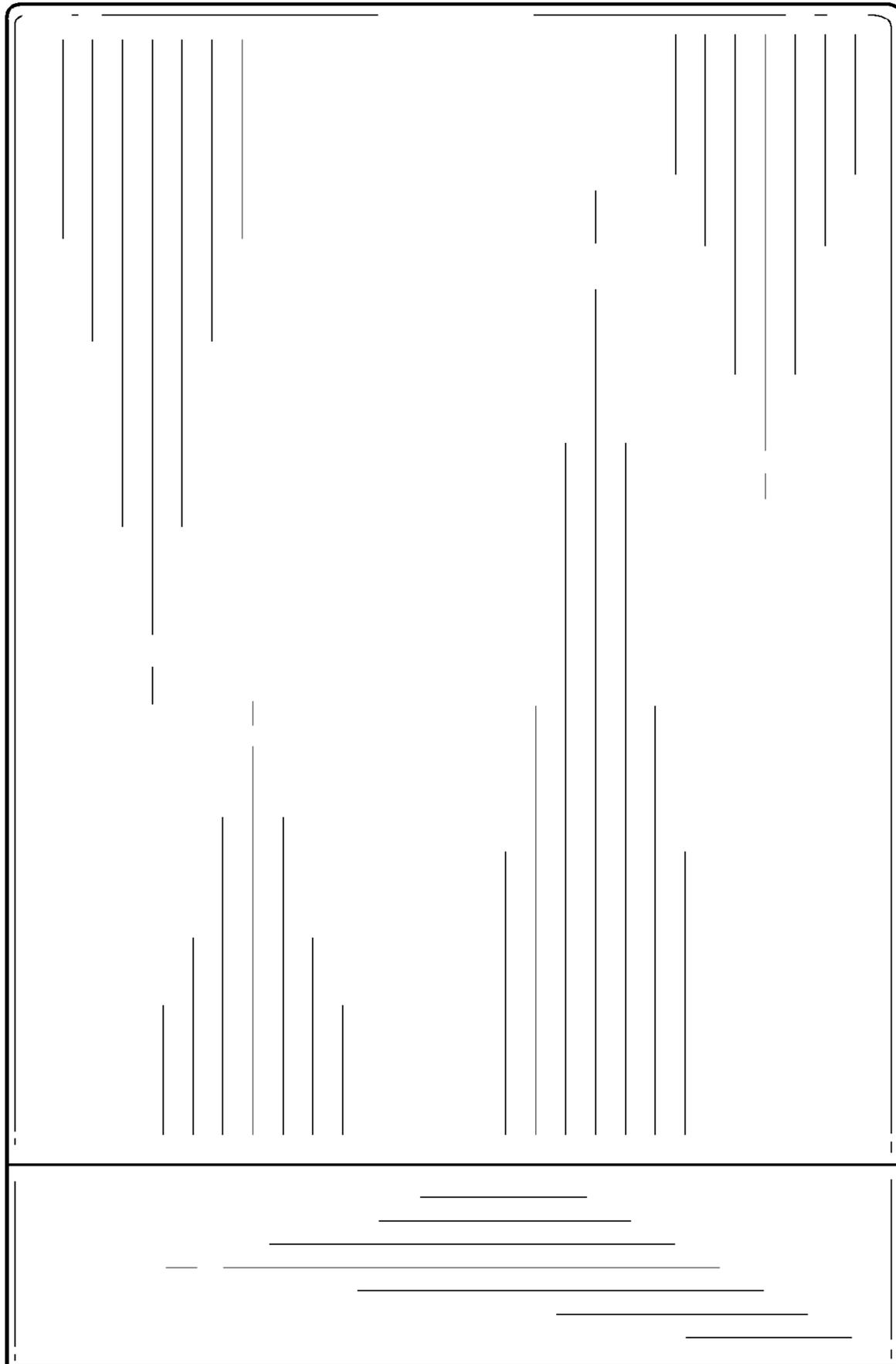




**FIG. 1**



**FIG. 2**



**FIG. 3**



**FIG. 4**



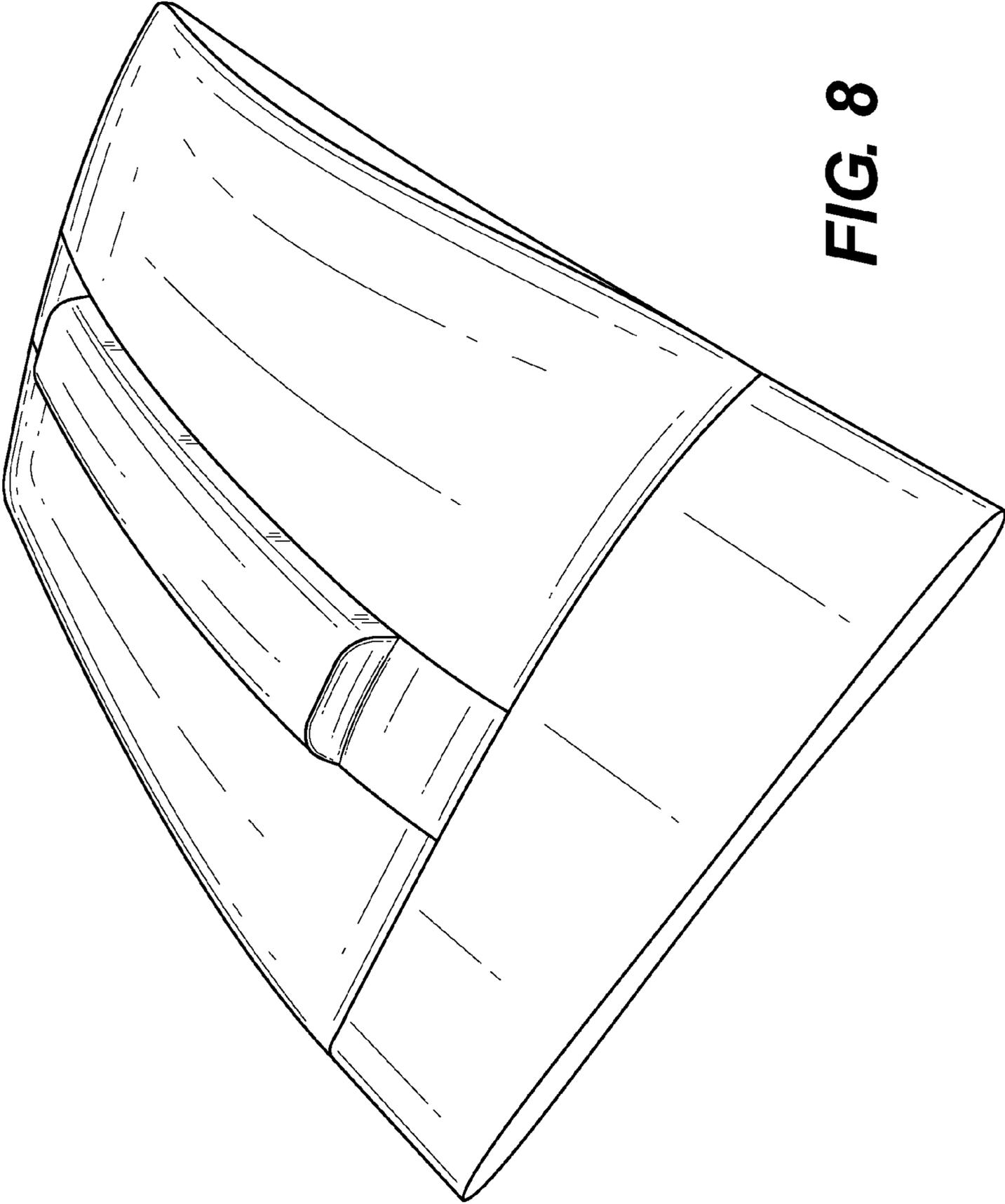
**FIG. 5**



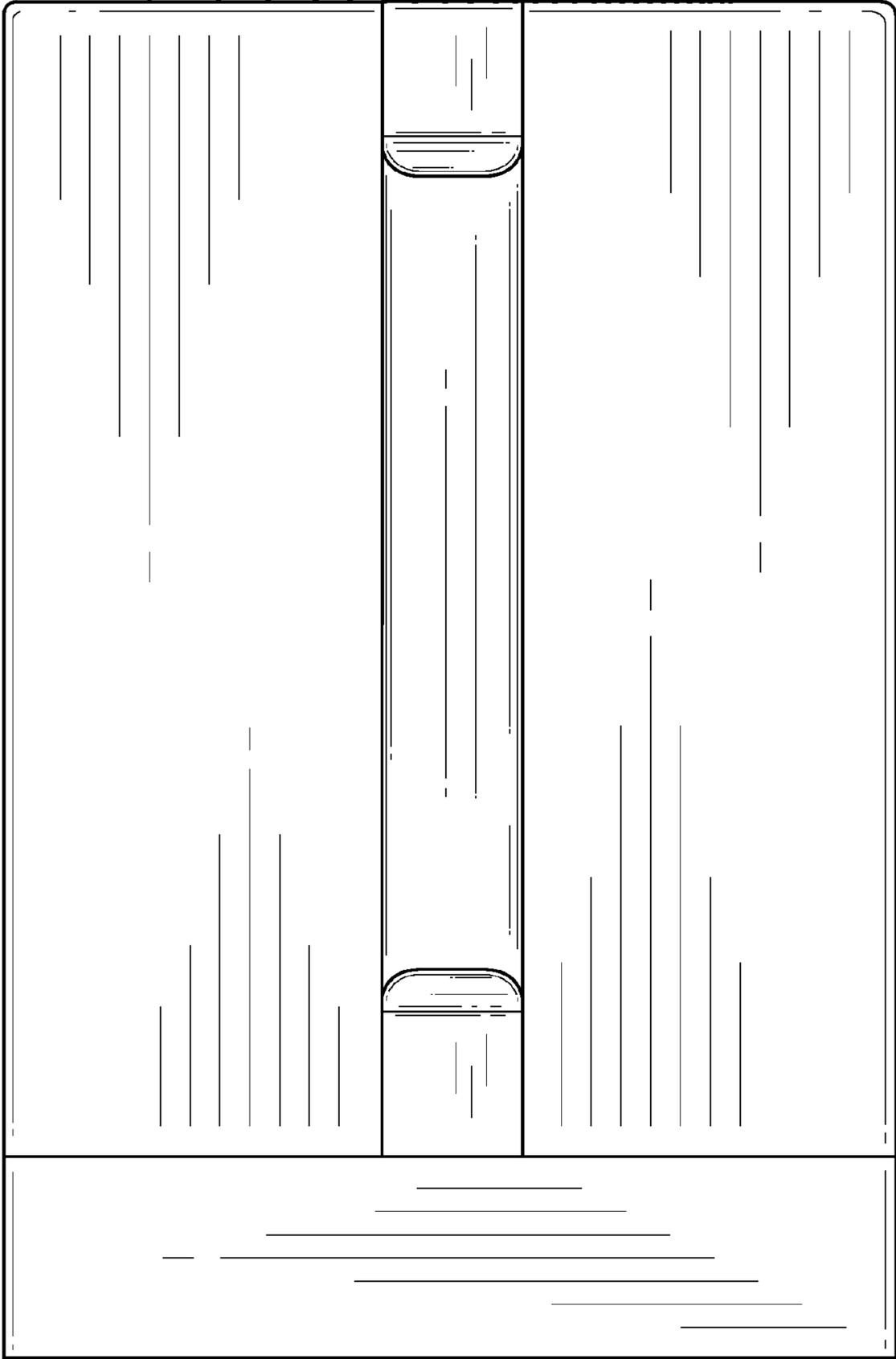
**FIG. 6**



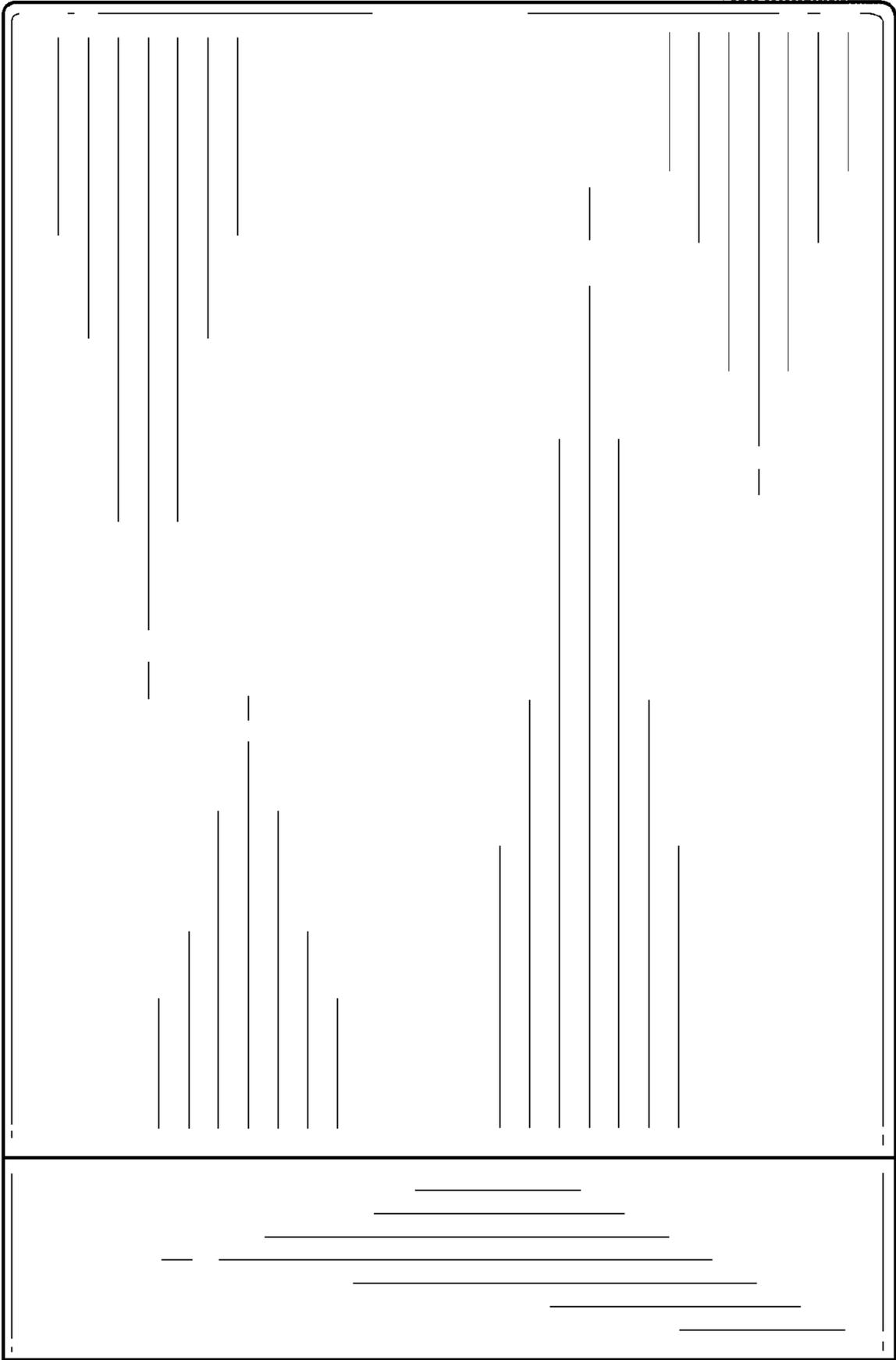
**FIG. 7**



**FIG. 8**



**FIG. 9**



**FIG. 10**



**FIG. 11**



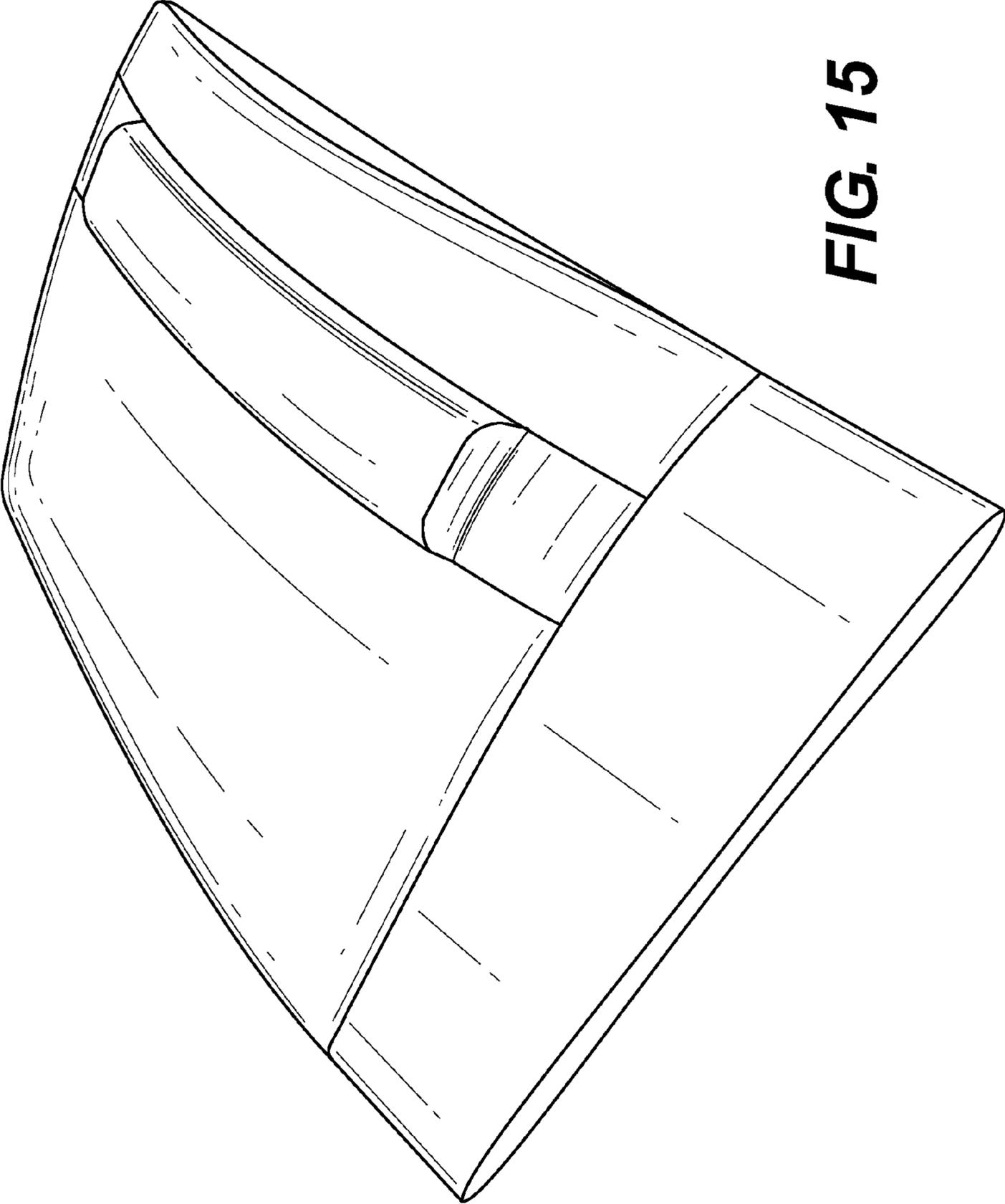
**FIG. 12**



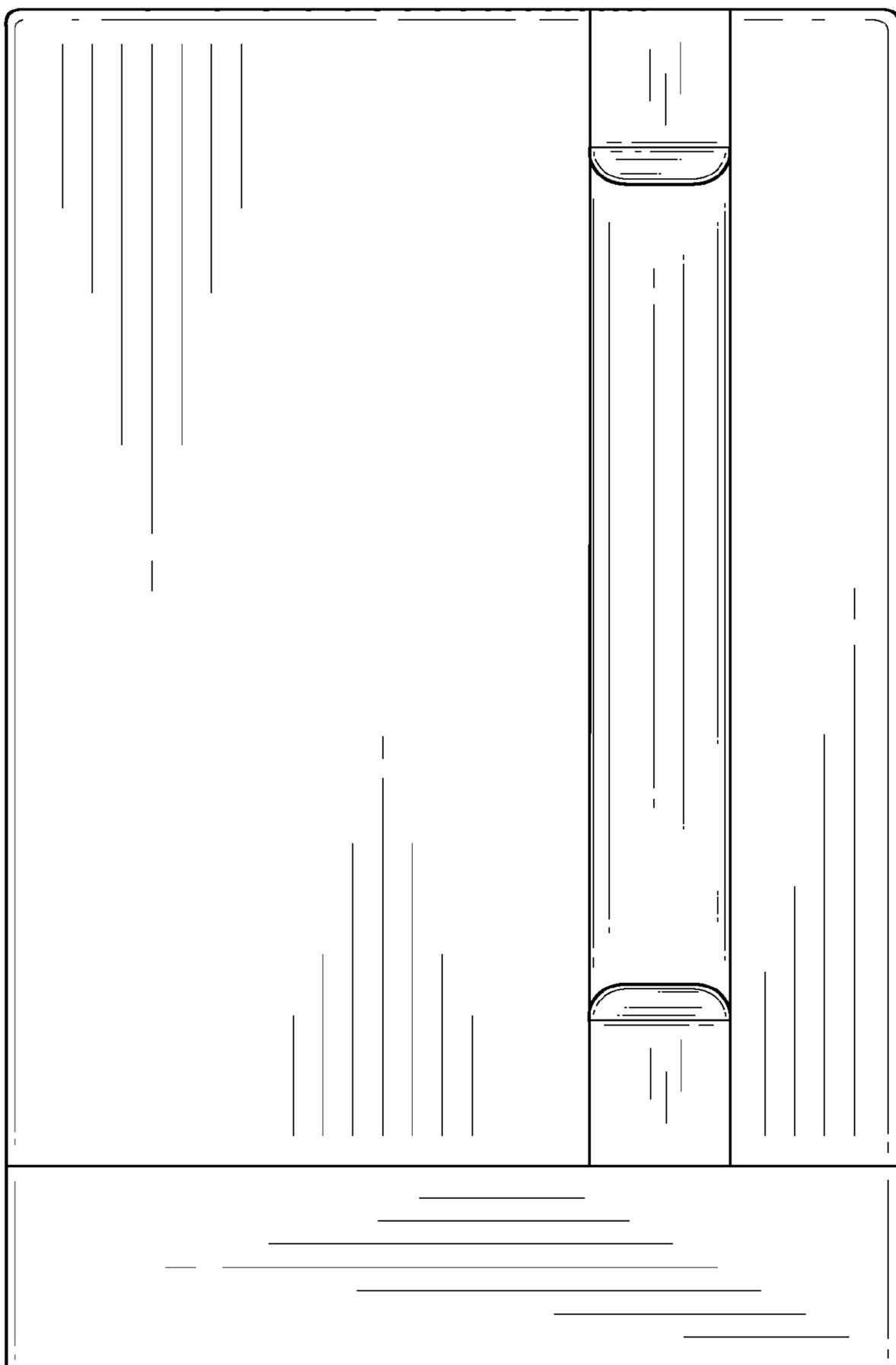
**FIG. 13**



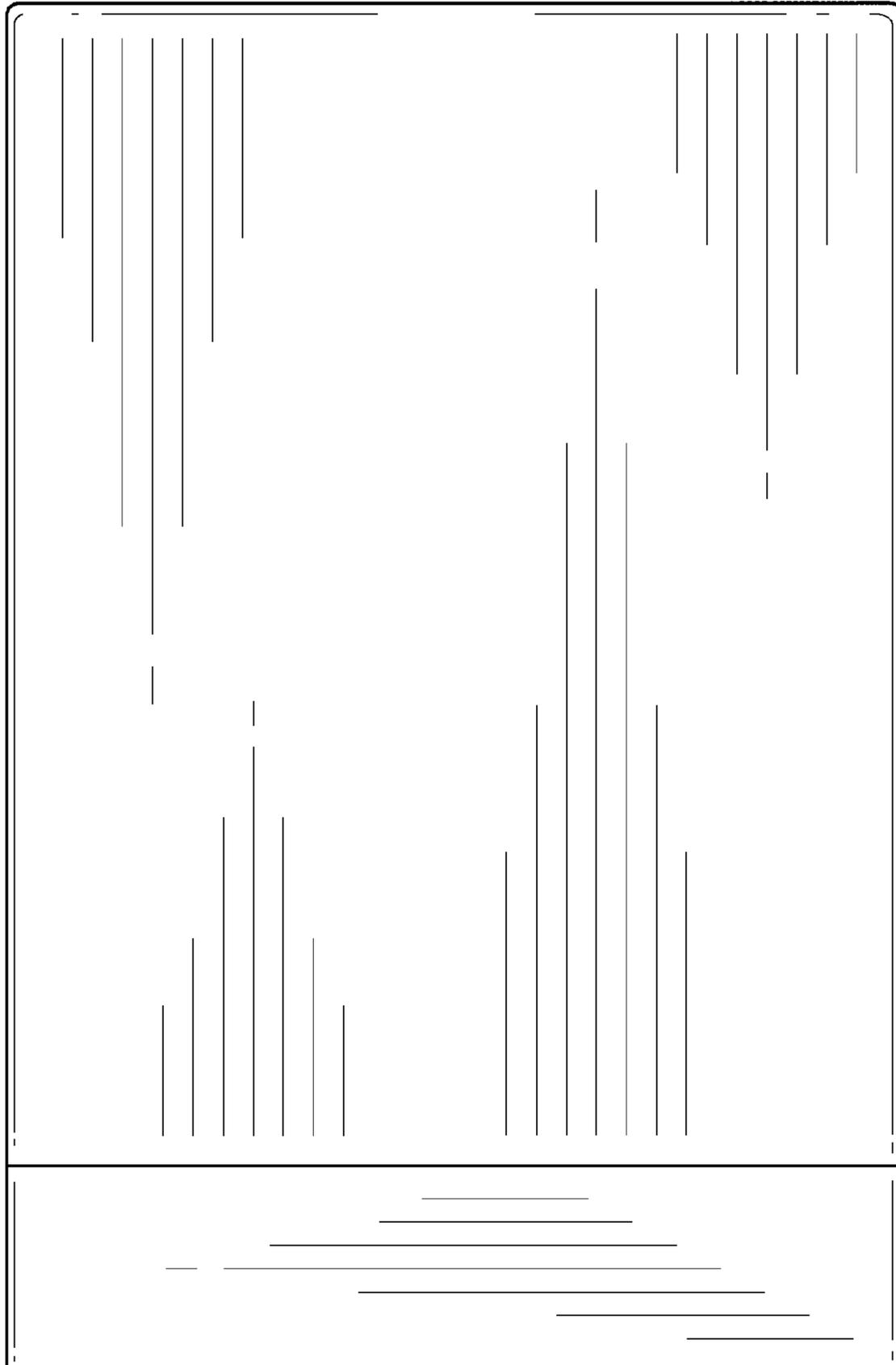
**FIG. 14**



**FIG. 15**



**FIG. 16**



**FIG. 17**



**FIG. 18**



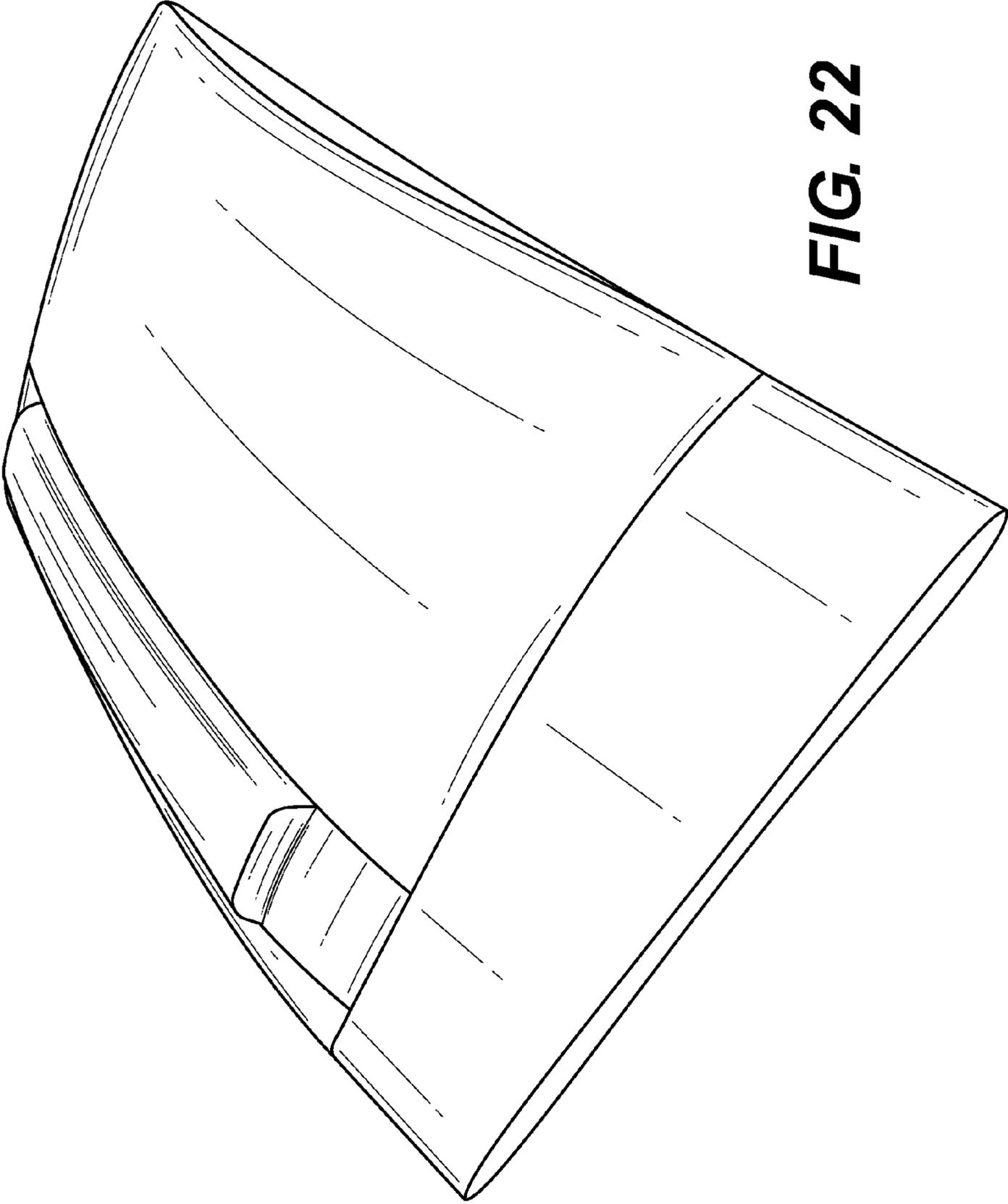
**FIG. 19**



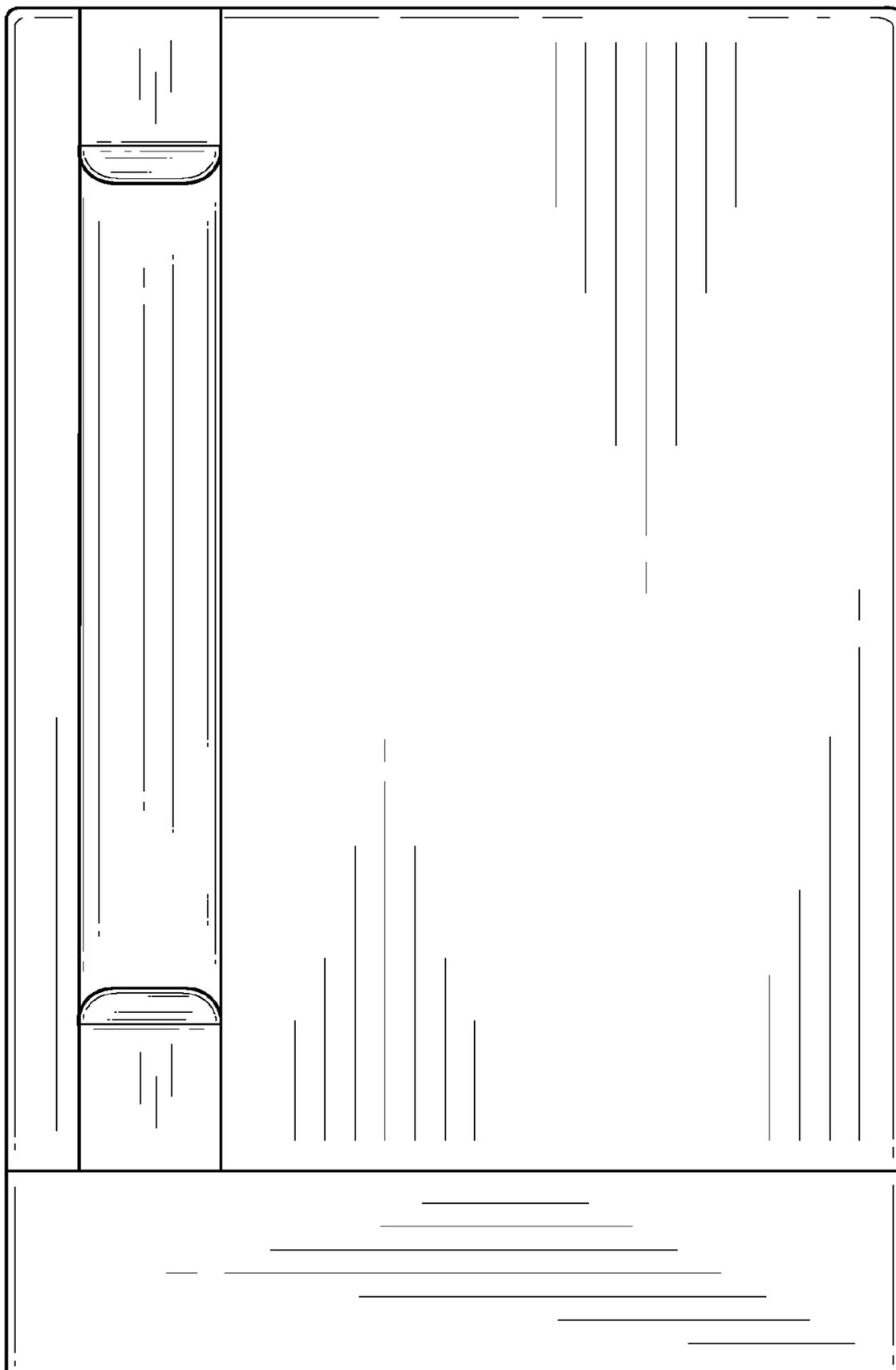
**FIG. 20**



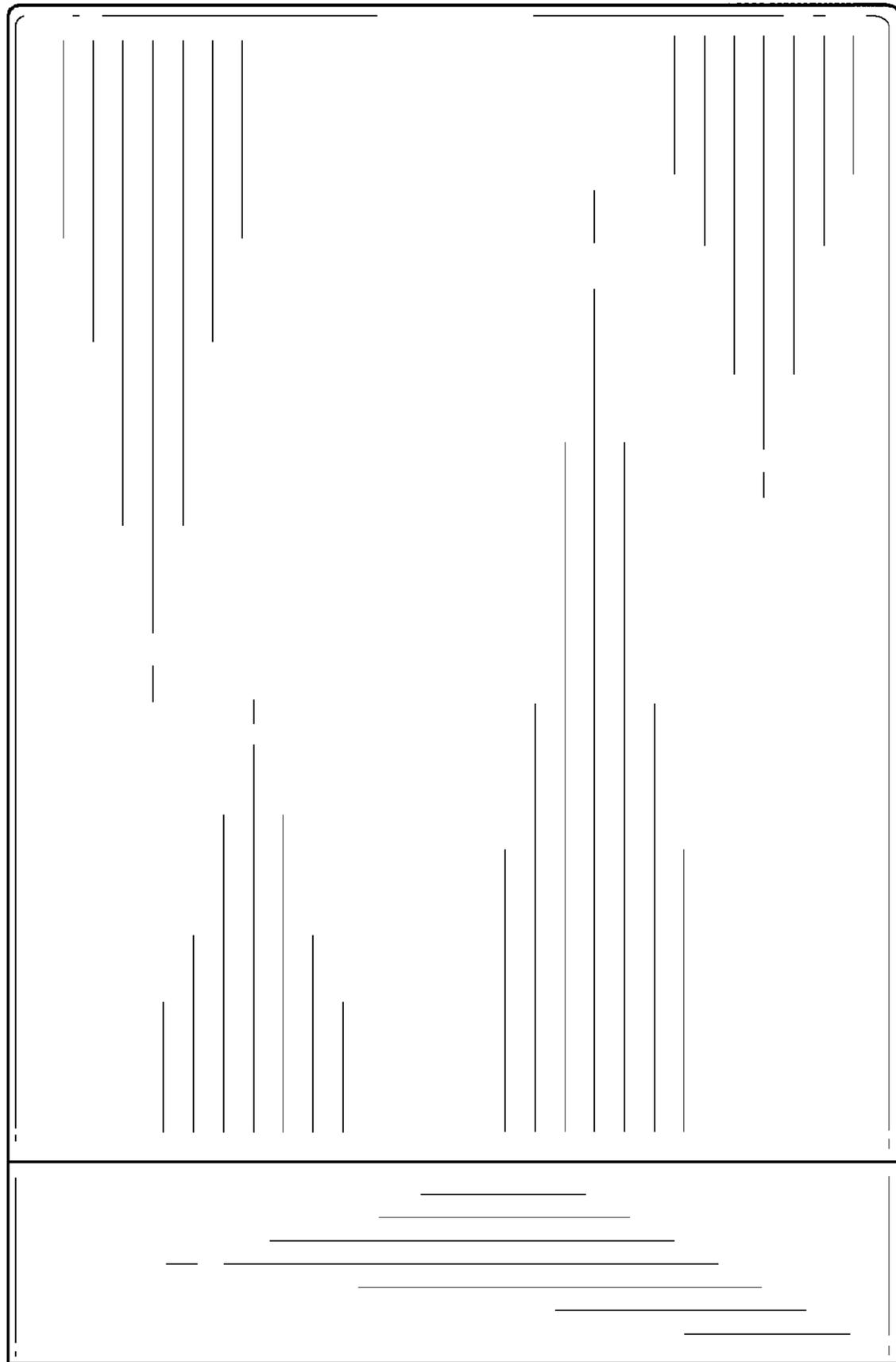
**FIG. 21**



**FIG. 22**



**FIG. 23**



**FIG. 24**



**FIG. 25**



**FIG. 26**



**FIG. 27**



**FIG. 28**