



US00D637429S

(12) **United States Design Patent**
Seehoff et al.

(10) **Patent No.:** **US D637,429 S**

(45) **Date of Patent:** **** May 10, 2011**

(54) **TOOTHBRUSH HOLDER**

(75) Inventors: **Gary Stanley Seehoff**, Encino, CA
(US); **Christopher Anzalone**, Foothill
Ranch, CA (US)

(73) Assignee: **Evrholder Products, LLC**, Anaheim,
CA (US)

(**) Term: **14 Years**

(21) Appl. No.: **29/365,997**

(22) Filed: **Jul. 17, 2010**

(51) **LOC (9) Cl.** **23-02**

(52) **U.S. Cl.** **D6/534**

(58) **Field of Classification Search** D6/534,
D6/526-528; 206/208, 209, 209.1, 228,
206/361, 362.1, 362.2; 211/13.1, 65-66,
211/70.6

See application file for complete search history.

(56) **References Cited**

U.S. PATENT DOCUMENTS

2,655,968 A * 10/1953 Simmons 206/362.3
3,127,985 A * 4/1964 Scott 206/362.3

3,746,162 A * 7/1973 Bridges 206/361
4,396,238 A * 8/1983 Torruella 211/65
D379,280 S * 5/1997 Butler et al. D6/534
D398,177 S * 9/1998 Garcia D6/534
5,924,567 A * 7/1999 Wenum 206/362.3
D416,729 S * 11/1999 Koop et al. D6/534
D477,948 S * 8/2003 Paik D6/534
D626,364 S * 11/2010 Fretwell D6/534

* cited by examiner

Primary Examiner — Brian N Vinson

(57) **CLAIM**

The ornamental design for a toothbrush holder, as shown and described.

DESCRIPTION

FIG. 1 is a top plan view of a toothbrush holder showing our new design;

FIG. 2 is a front elevational view thereof;

FIG. 3 is a left side elevational view thereof;

FIG. 4 is a right side elevational view thereof;

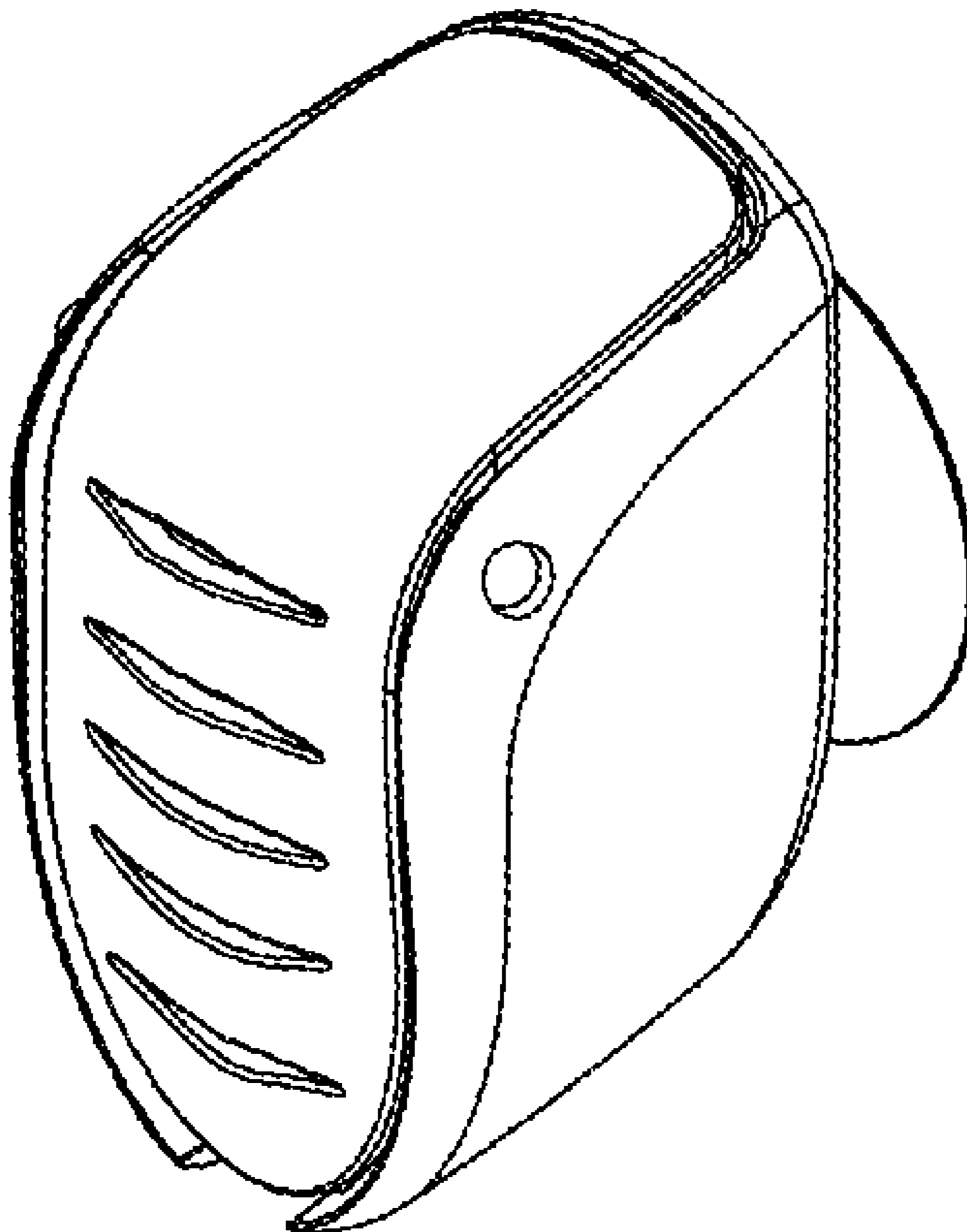
FIG. 5 is a rear elevational view thereof;

FIG. 6 is a bottom plan view thereof;

FIG. 7 is a vertical cross-sectional view thereof, taken along line 7—7 of FIG. 1; and,

FIG. 8 is a top, front, and right side perspective view thereof.

1 Claim, 8 Drawing Sheets



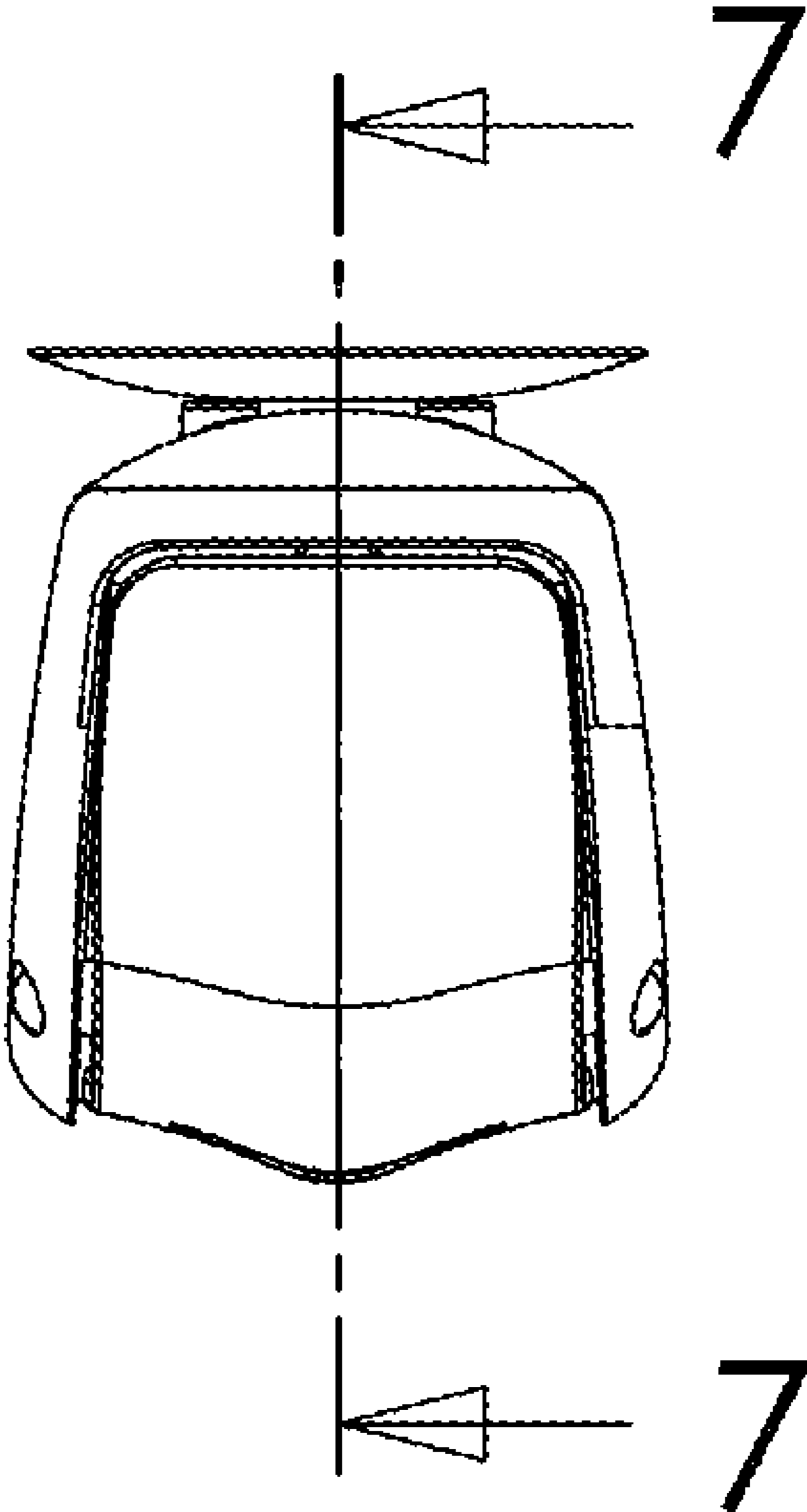


Fig. 1

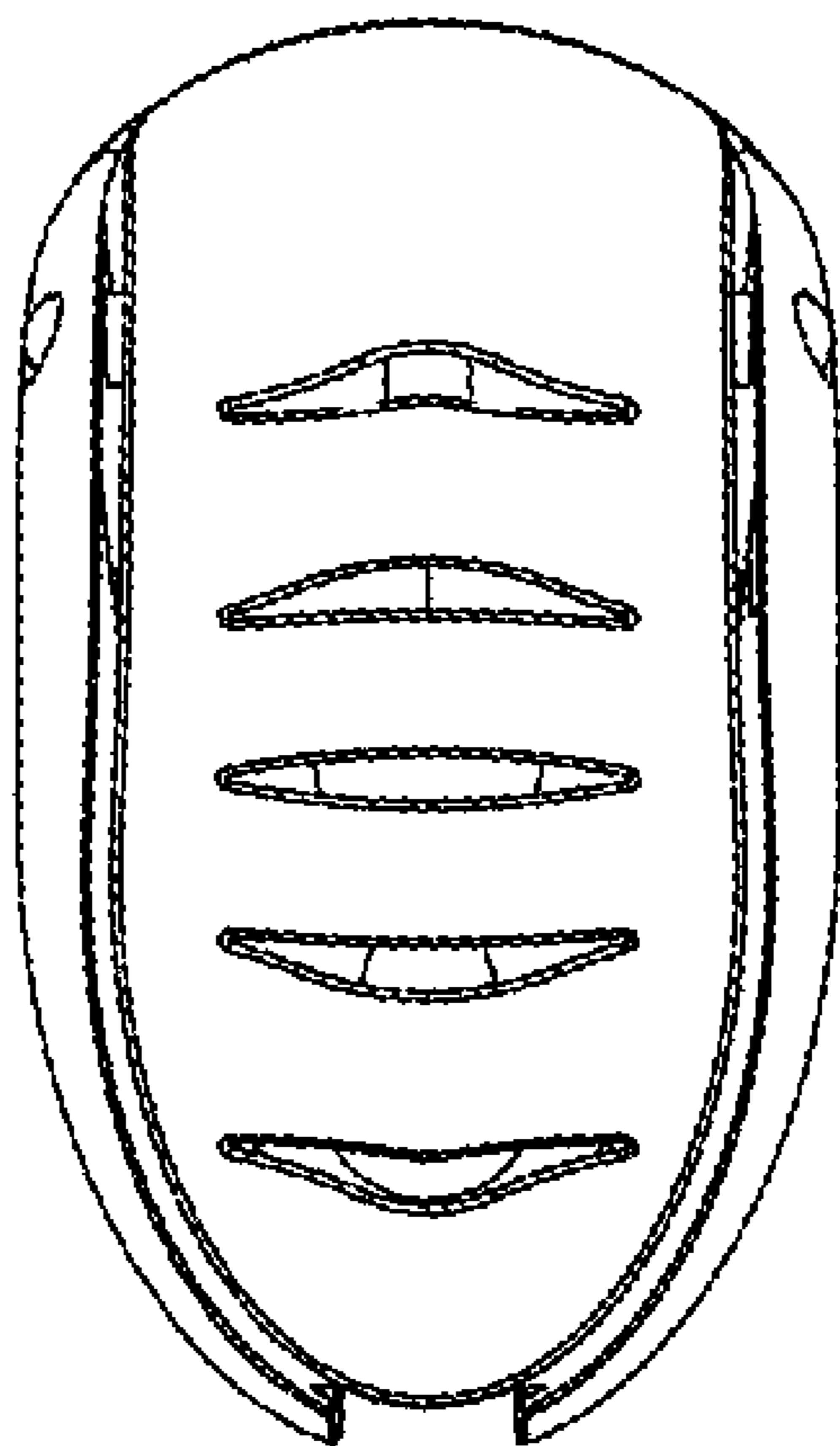


Fig. 2

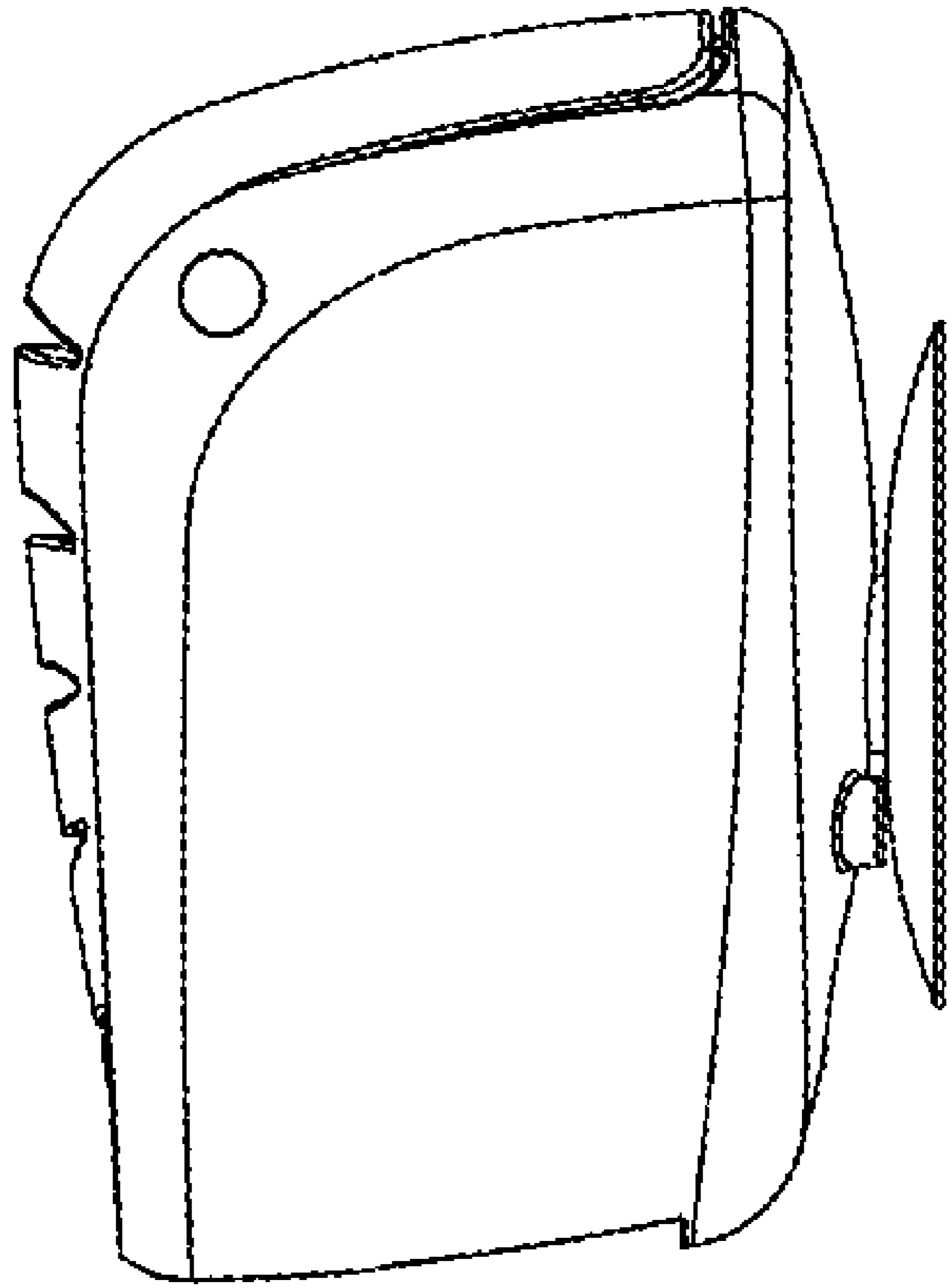


Fig. 3

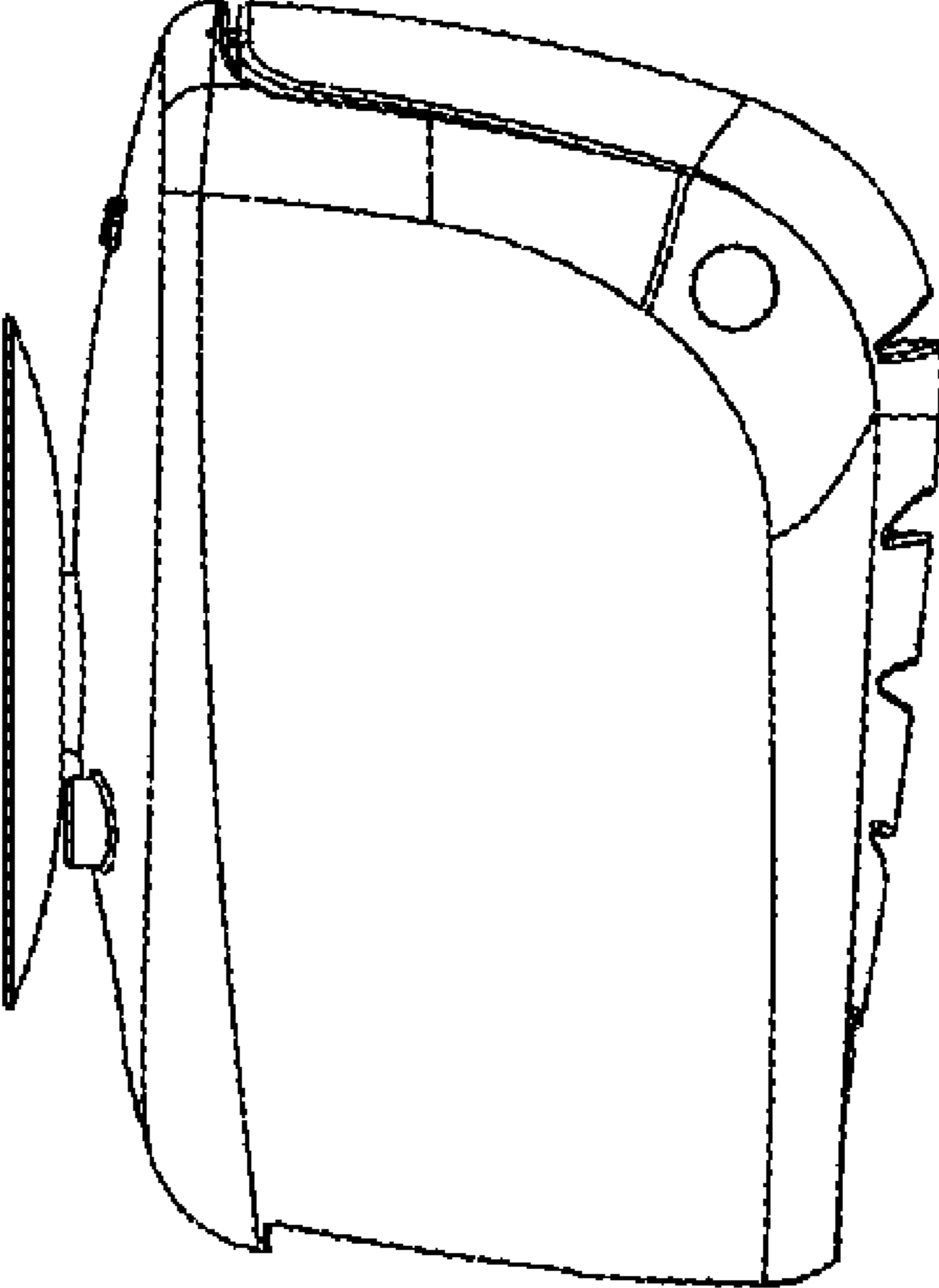


Fig. 4

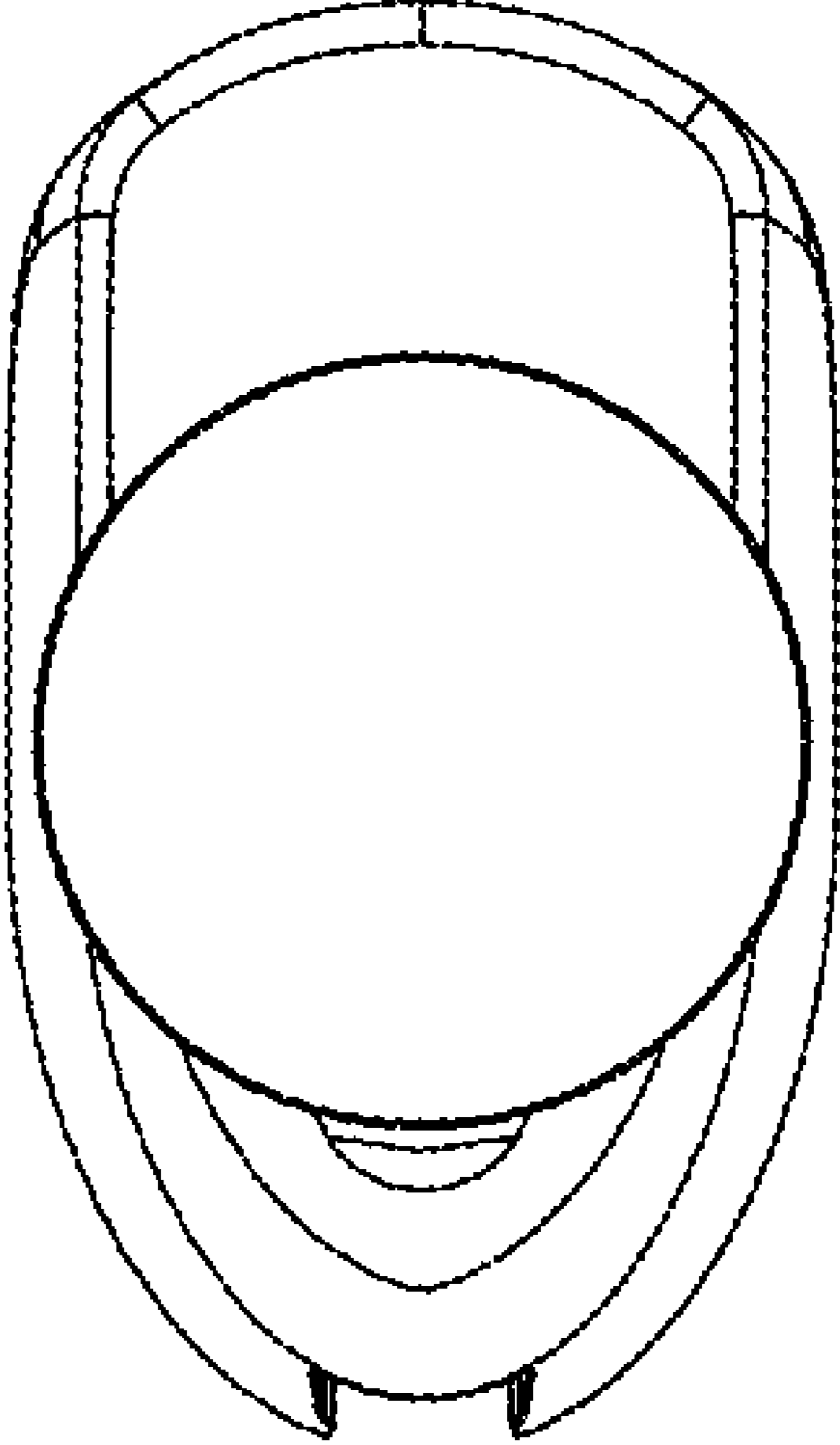


Fig. 5

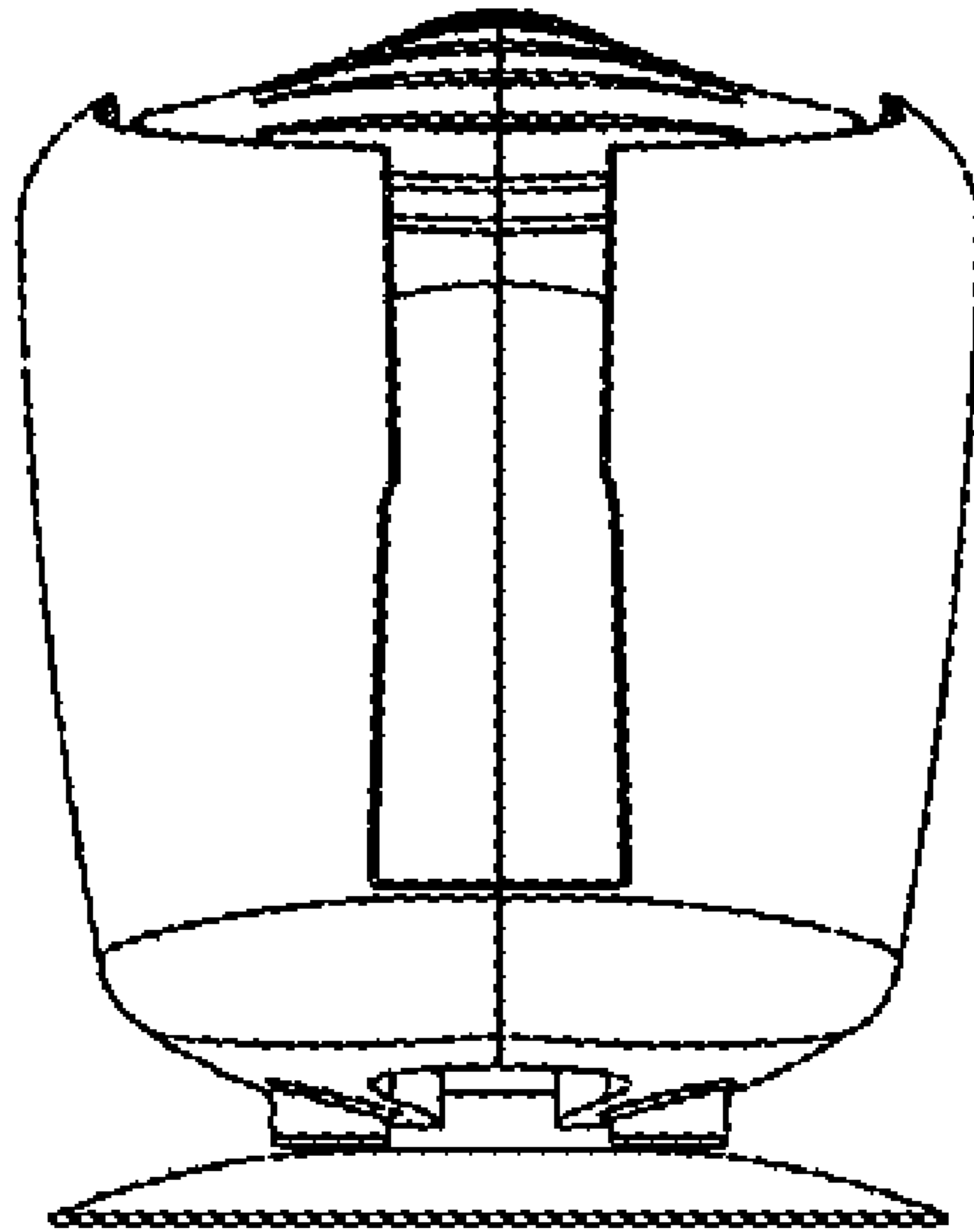


Fig. 6

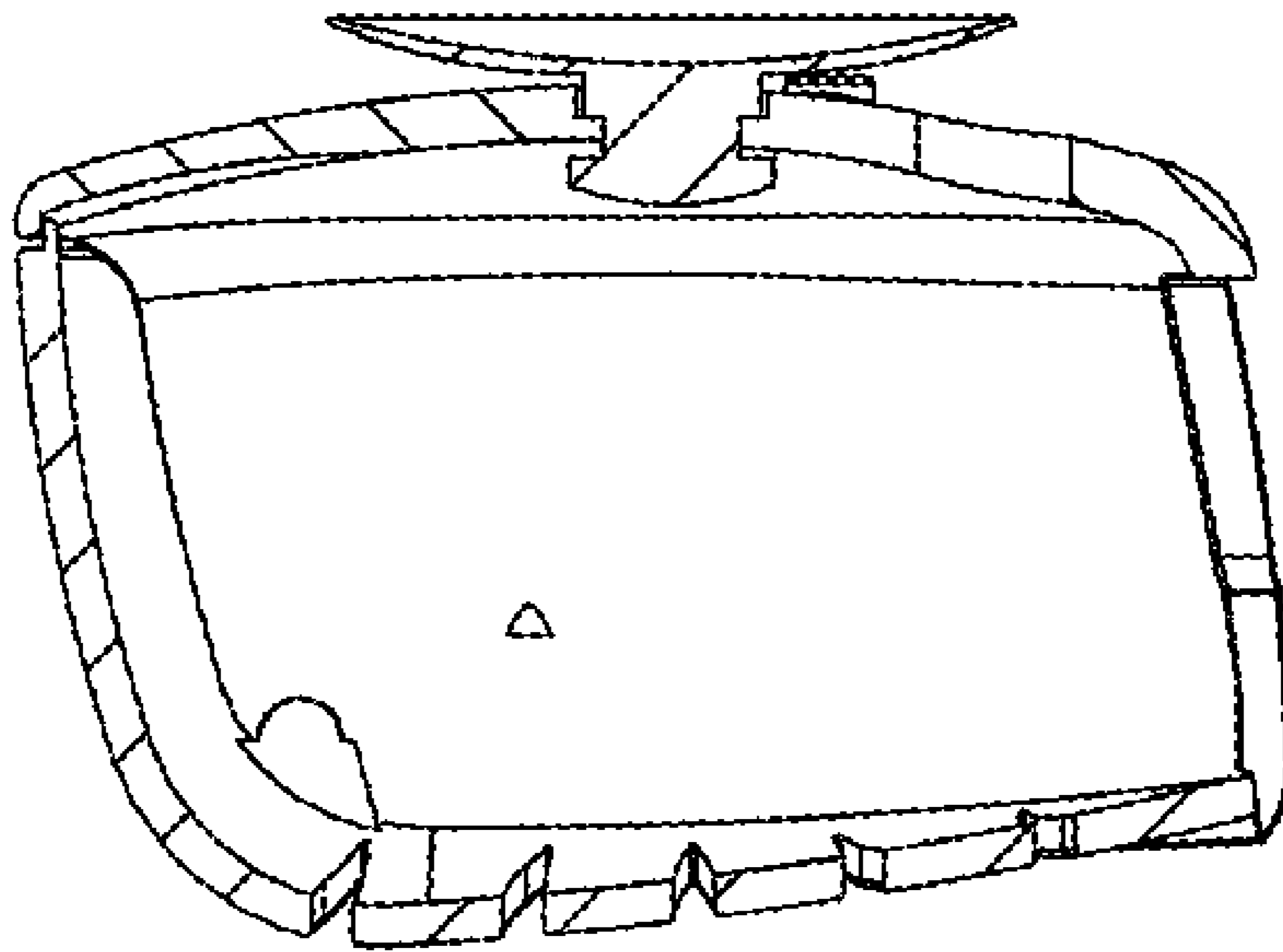


Fig. 7

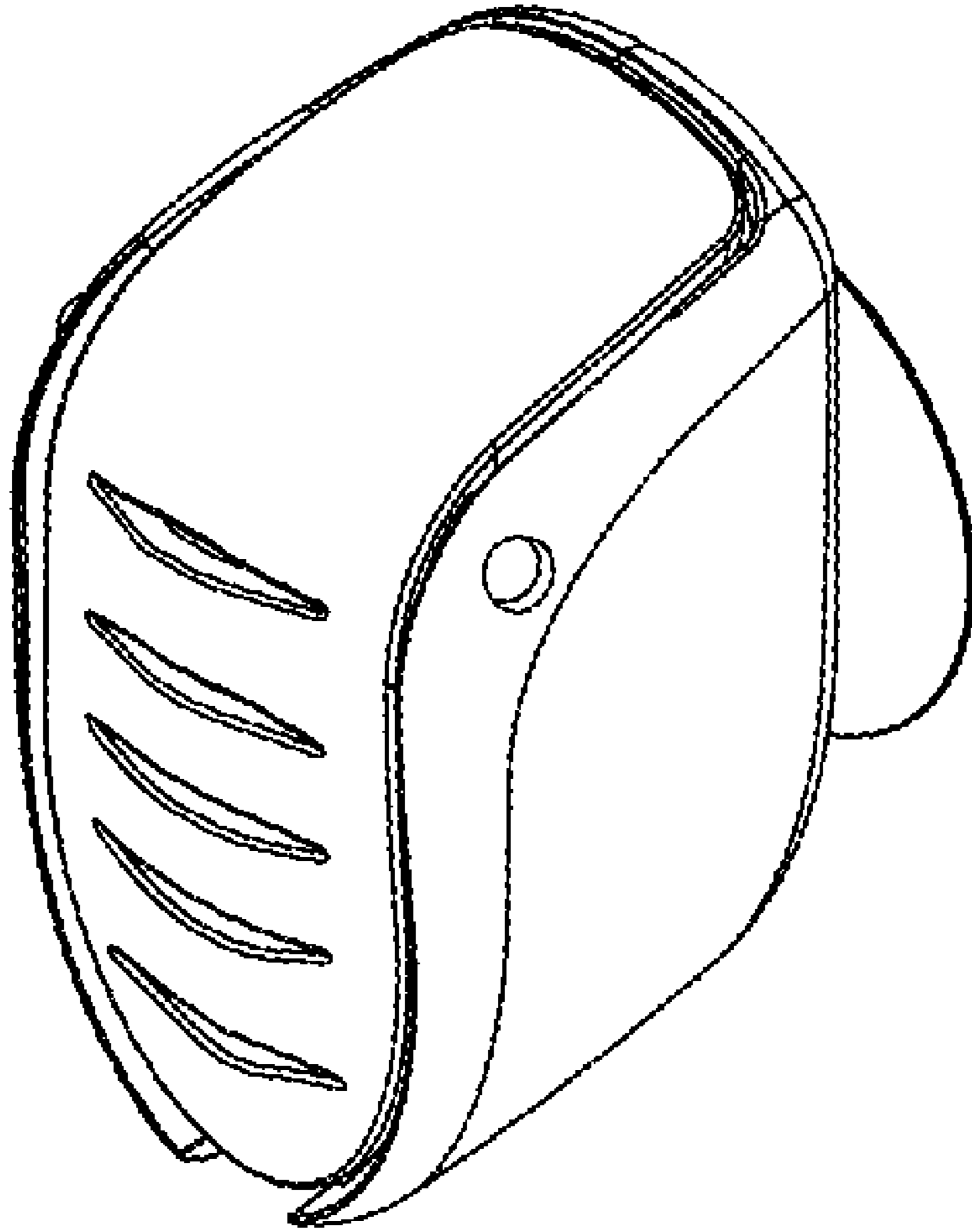


Fig. 8