



US00D637428S

(12) **United States Design Patent**
Yuyama et al.

(10) **Patent No.:** **US D637,428 S**
(45) **Date of Patent:** **** May 10, 2011**

(54) **TABLET CONTAINER FOR DISPENSING TABLETS**

(75) Inventors: **Shoji Yuyama**, Toyonaka (JP); **Naoki Koike**, Toyonaka (JP); **Akira Maeda**, Toyonaka (JP)

(73) Assignee: **Yuyama Mfg. Co., Ltd.**, Toyonaka-shi (JP)

(**) Term: **14 Years**

(21) Appl. No.: **29/363,576**

(22) Filed: **Jun. 11, 2010**

(51) **LOC (9) Cl.** **20-02**

(52) **U.S. Cl.** **D6/515**

(58) **Field of Classification Search** D3/203.2, D3/203.1, 203.3, 203.4, 201, 205, 294; D6/515, D6/512; 206/530-540, 581; D15/147, 199; 221/152, 190, 196, 264, 266, 281
See application file for complete search history.

(56) **References Cited**

U.S. PATENT DOCUMENTS

4,230,236	A *	10/1980	Boulter	221/190
4,428,502	A *	1/1984	Veltri	221/152
D340,603	S *	10/1993	Ellison	D6/515
D392,481	S *	3/1998	Perkitny	D6/515
D610,796	S *	3/2010	Siegel	D3/203.2
D622,499	S *	8/2010	Sprada et al.	D3/203.2

FOREIGN PATENT DOCUMENTS

JP 2007-082622 A 4/2007

* cited by examiner

Primary Examiner — Brian N Vinson

(74) *Attorney, Agent, or Firm* — Marvin A. Motsenbocker; Mots Law, PLLC

(57) **CLAIM**

The ornamental design for a tablet container for dispensing tablets, as shown and described.

DESCRIPTION

FIG. 1 is a top, front and right side perspective view of a tablet container for dispensing tablets showing our new design
FIG. 2 is a front elevational view thereof;
FIG. 3 is a left side elevational view thereof;
FIG. 4 is a right side elevational view thereof;
FIG. 5 is a rear elevational view thereof;
FIG. 6 is a top plan view thereof;
FIG. 7 is a bottom plan view thereof;
FIG. 8 is a vertical cross-sectional view thereof taken along the line 8—8 in FIG. 2;
FIG. 9 is a horizontal cross-sectional view thereof taken along the line 9—9 in FIG. 2.
FIG. 10 is a bottom, front, and right side perspective view thereof; and,
FIG. 11 is a top, front, and right side perspective view thereof, with the lid portion omitted.

The broken-lines in the views are understood to illustrate portions of the article in which the claimed design is embodied, but which form no part of the claimed design. Where a broken-line abuts a claimed surface shown in unbroken lines and provided with surface shading, that broken-line is understood to represent an unclaimed boundary between claimed and unclaimed surfaces.

1 Claim, 11 Drawing Sheets

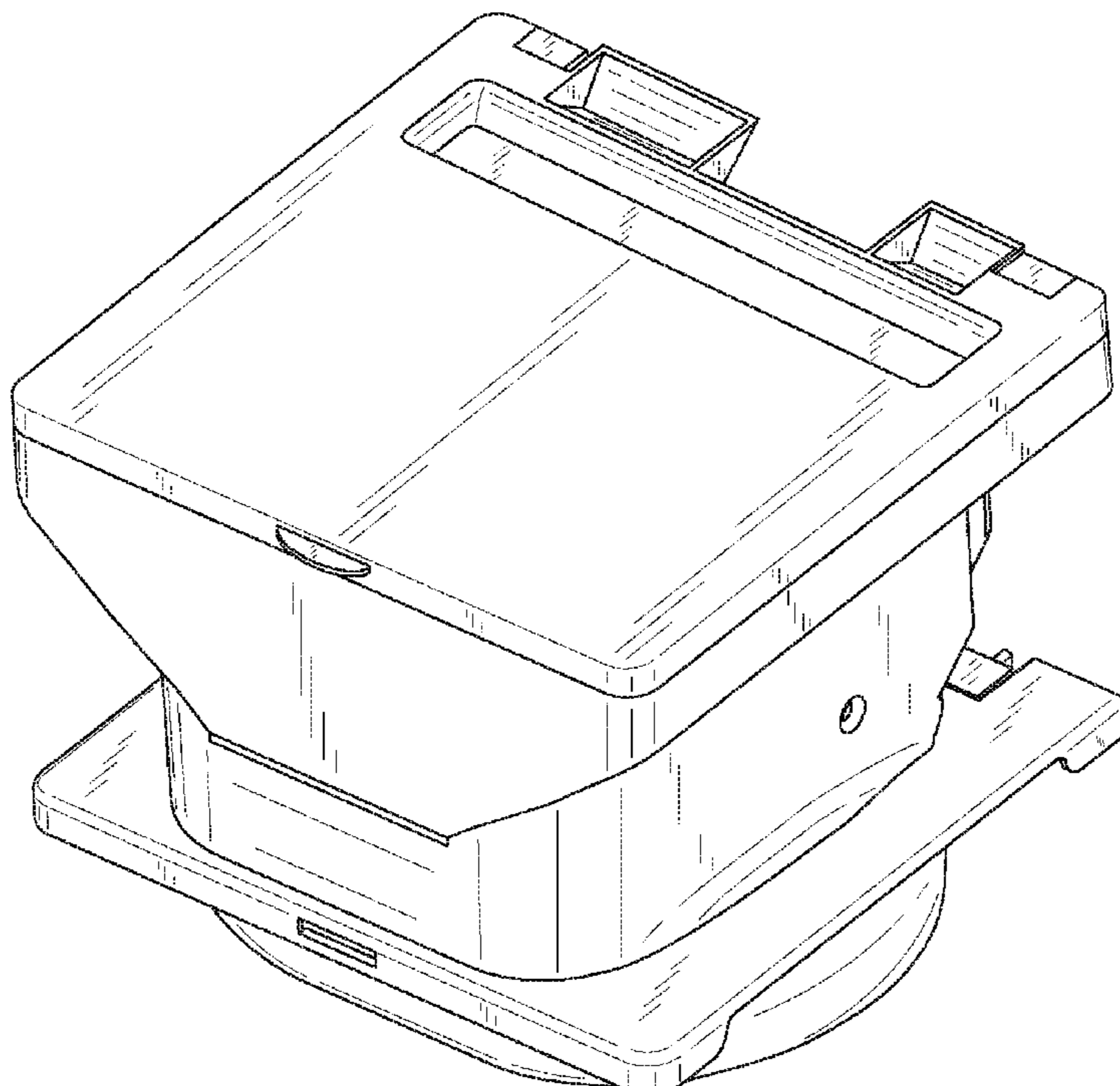


Fig. 1

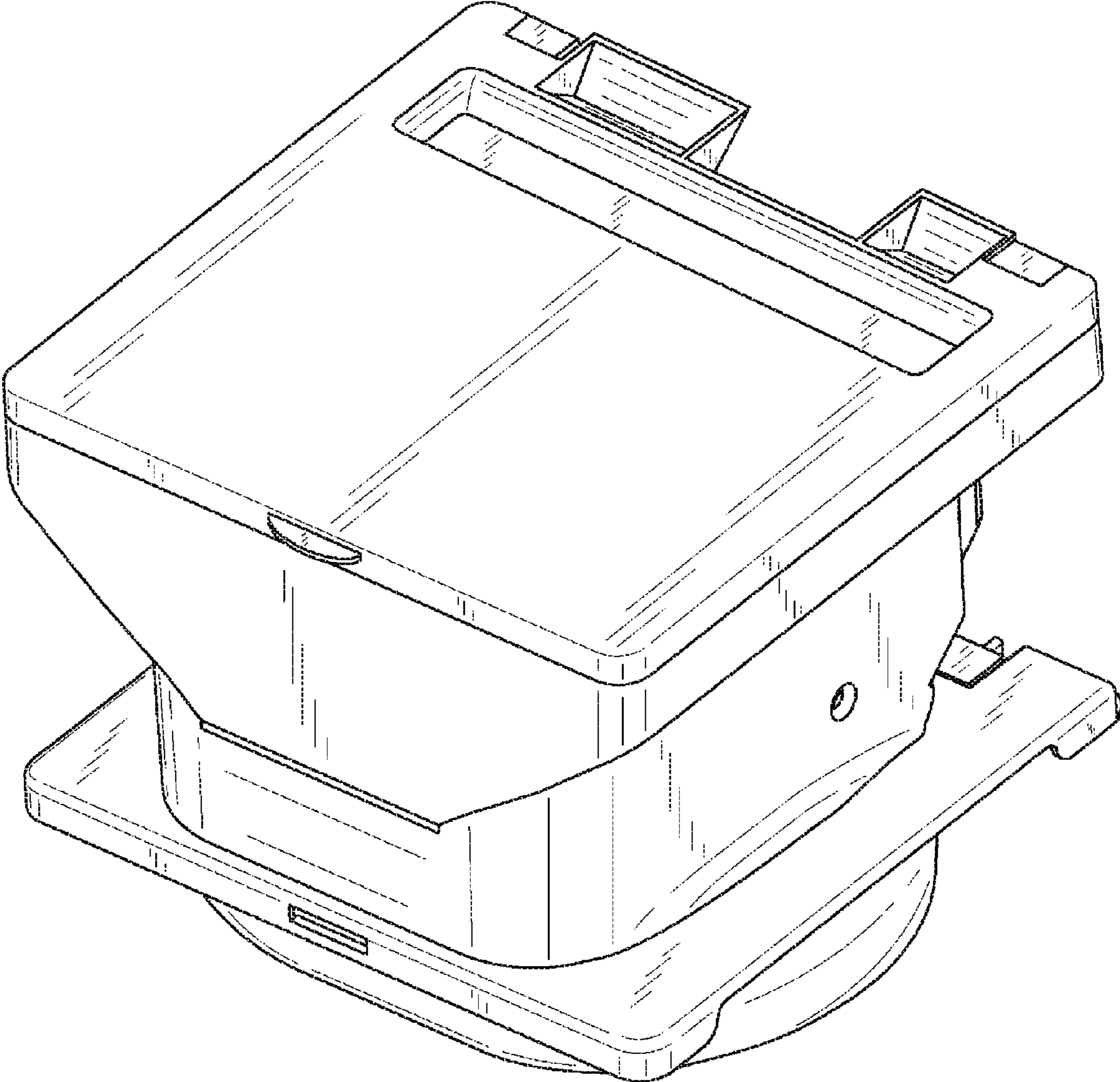


Fig.2

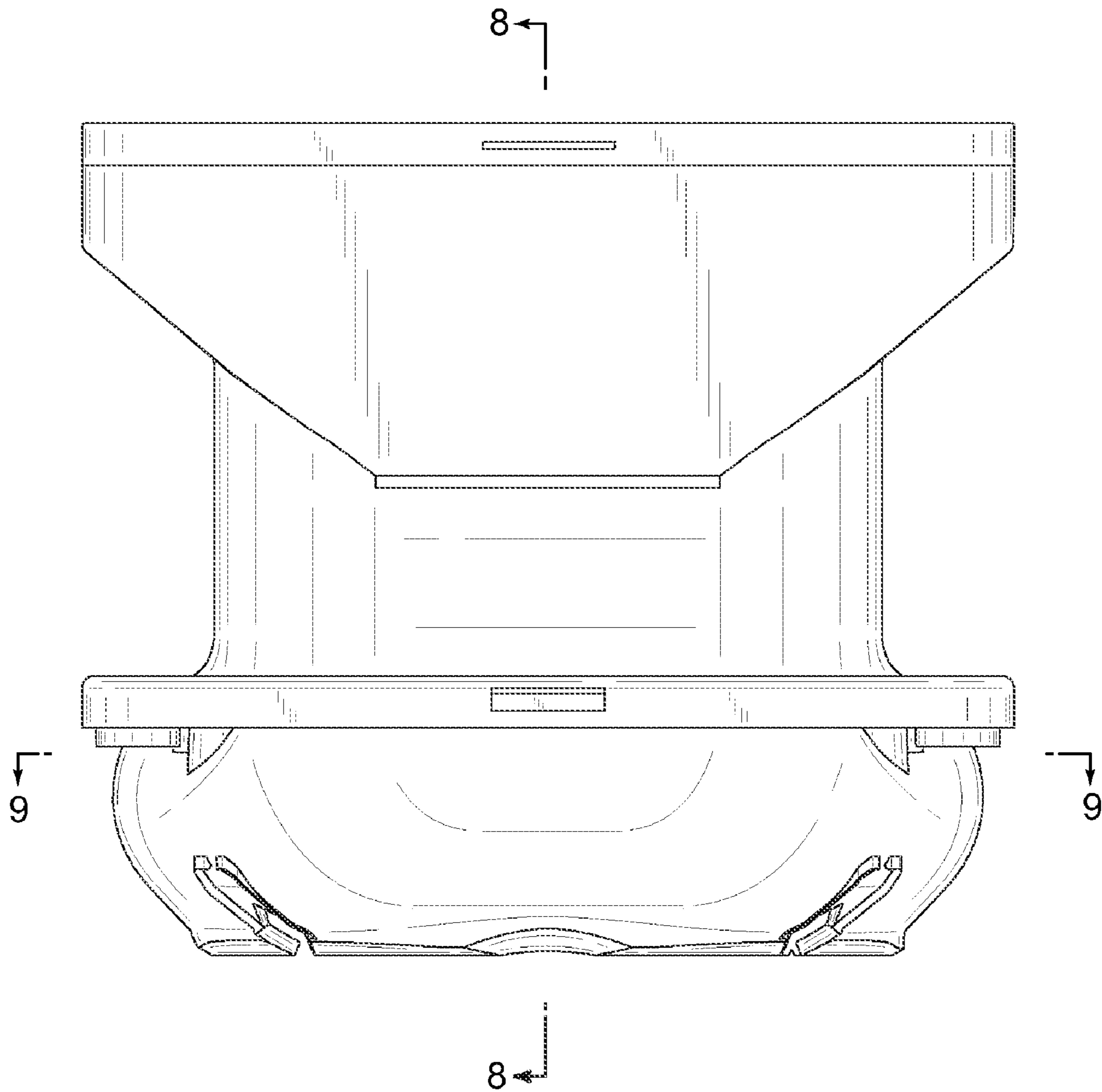


Fig. 3

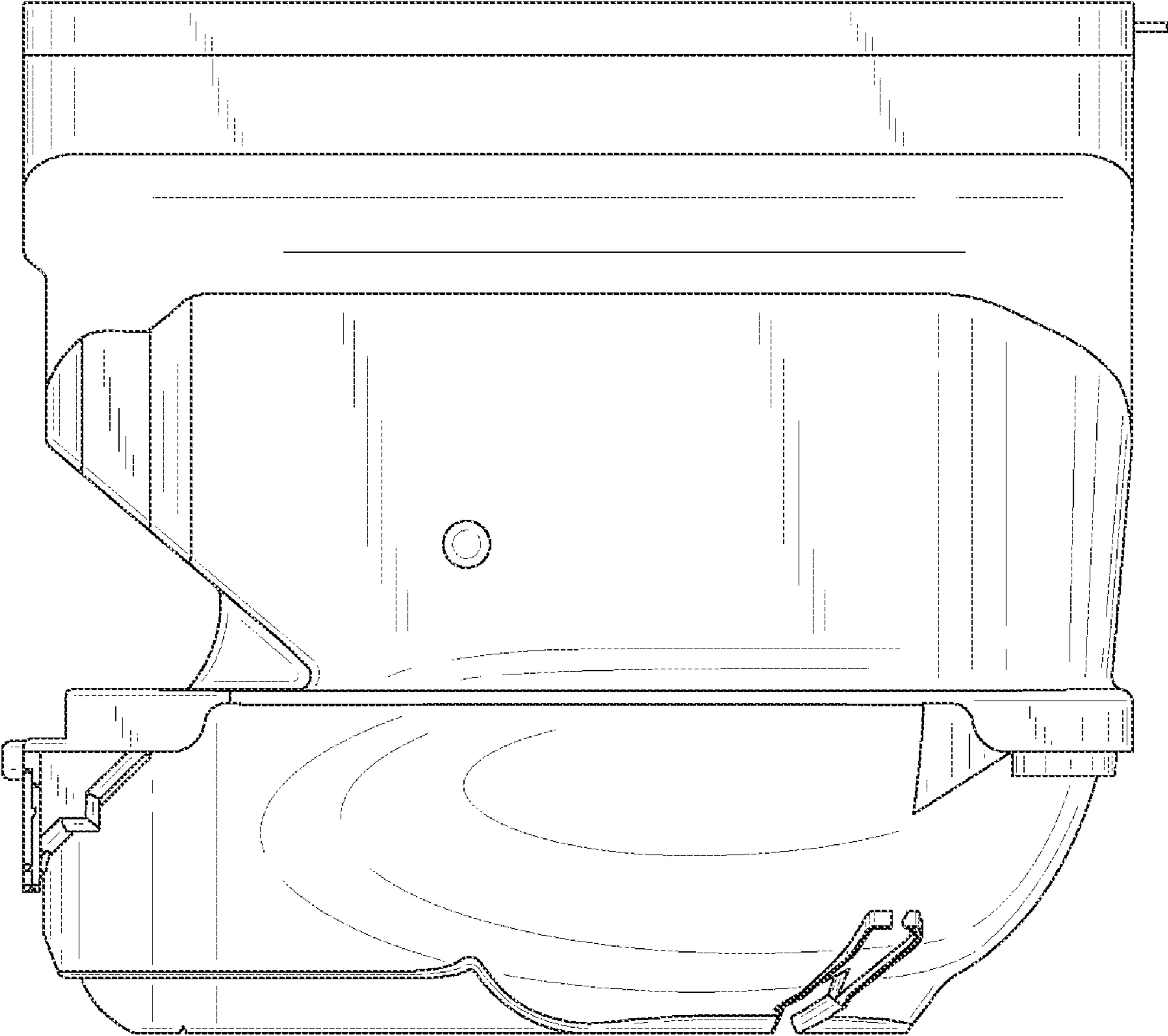


Fig.4

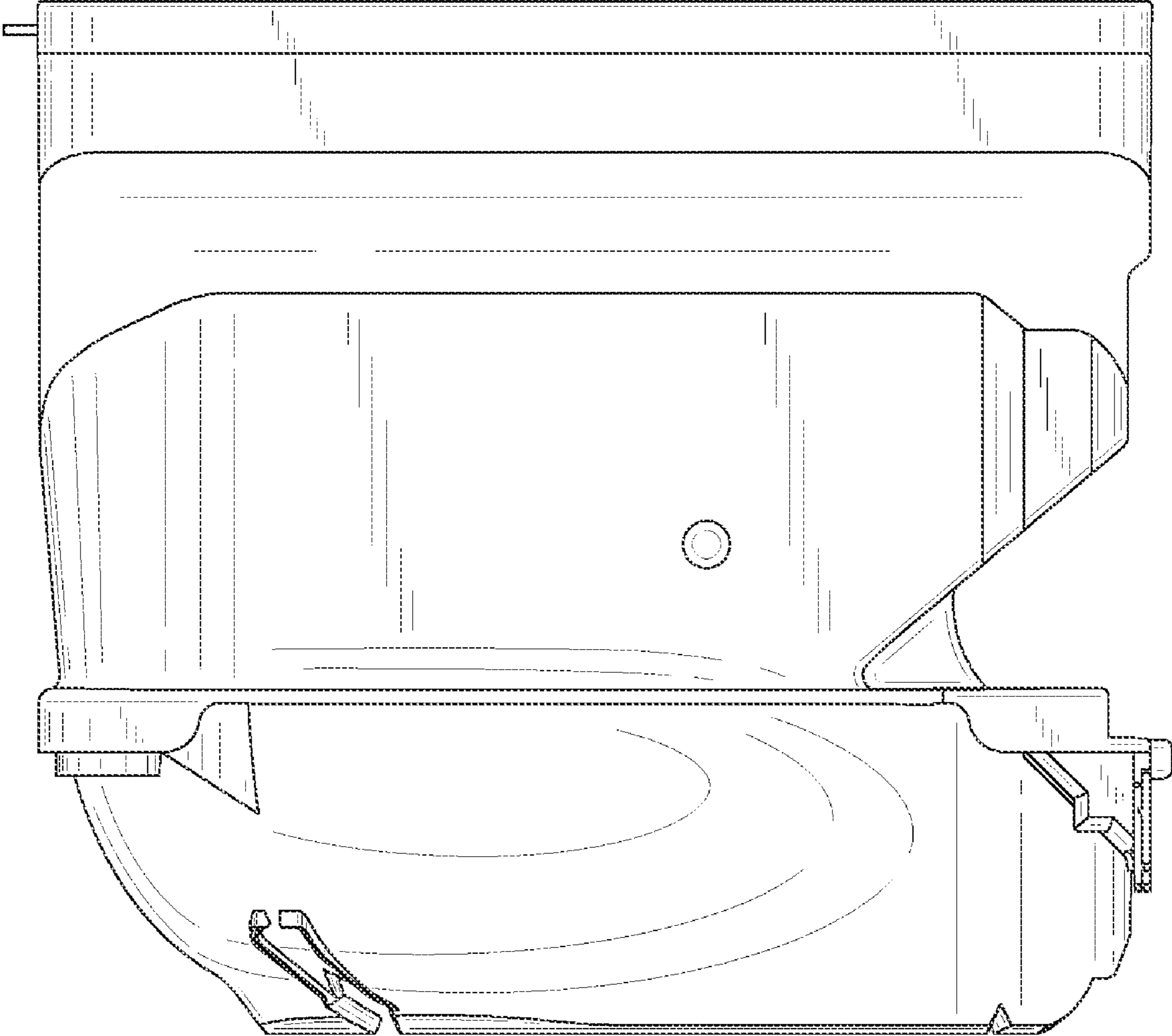


Fig.5

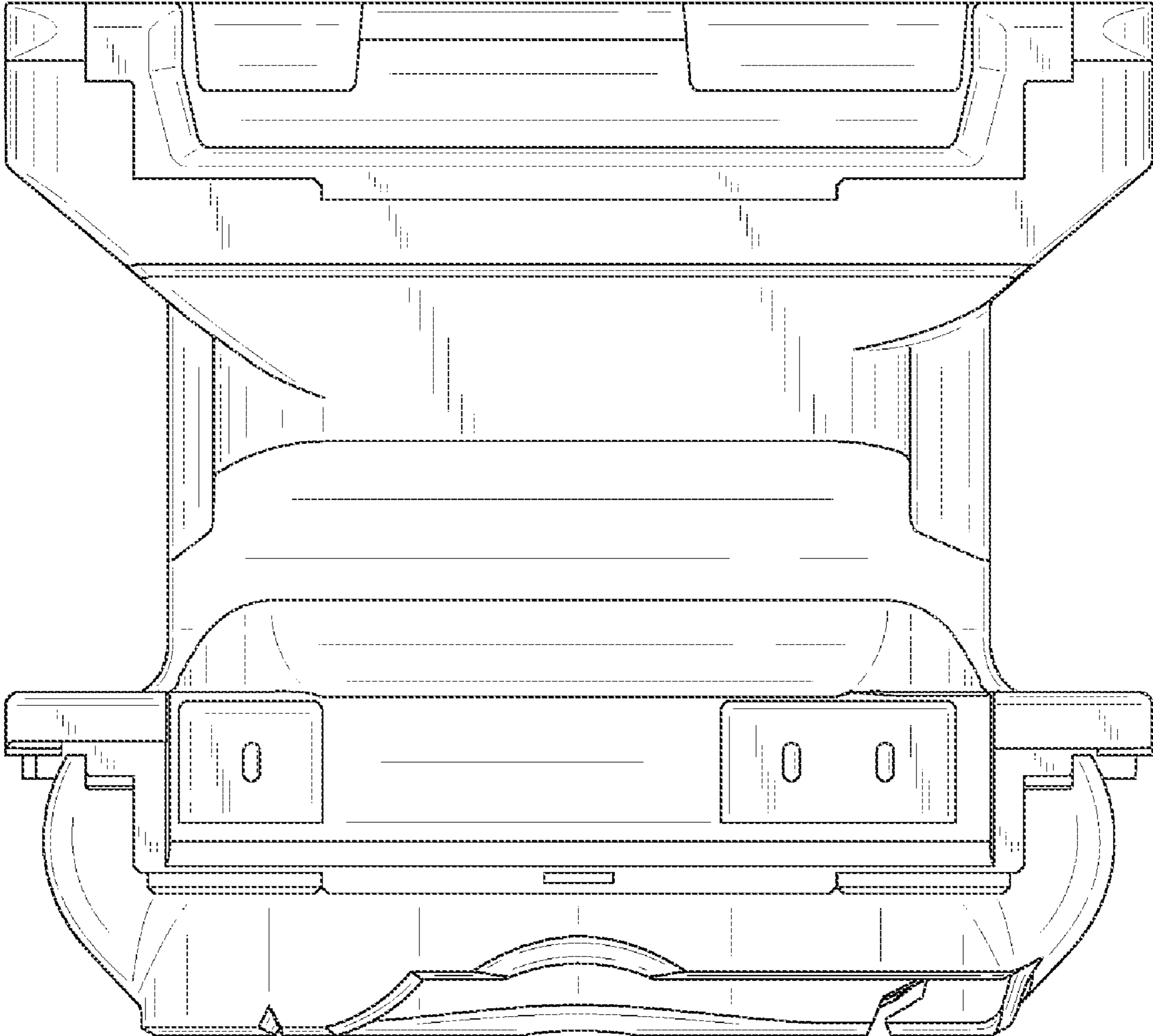


Fig.6

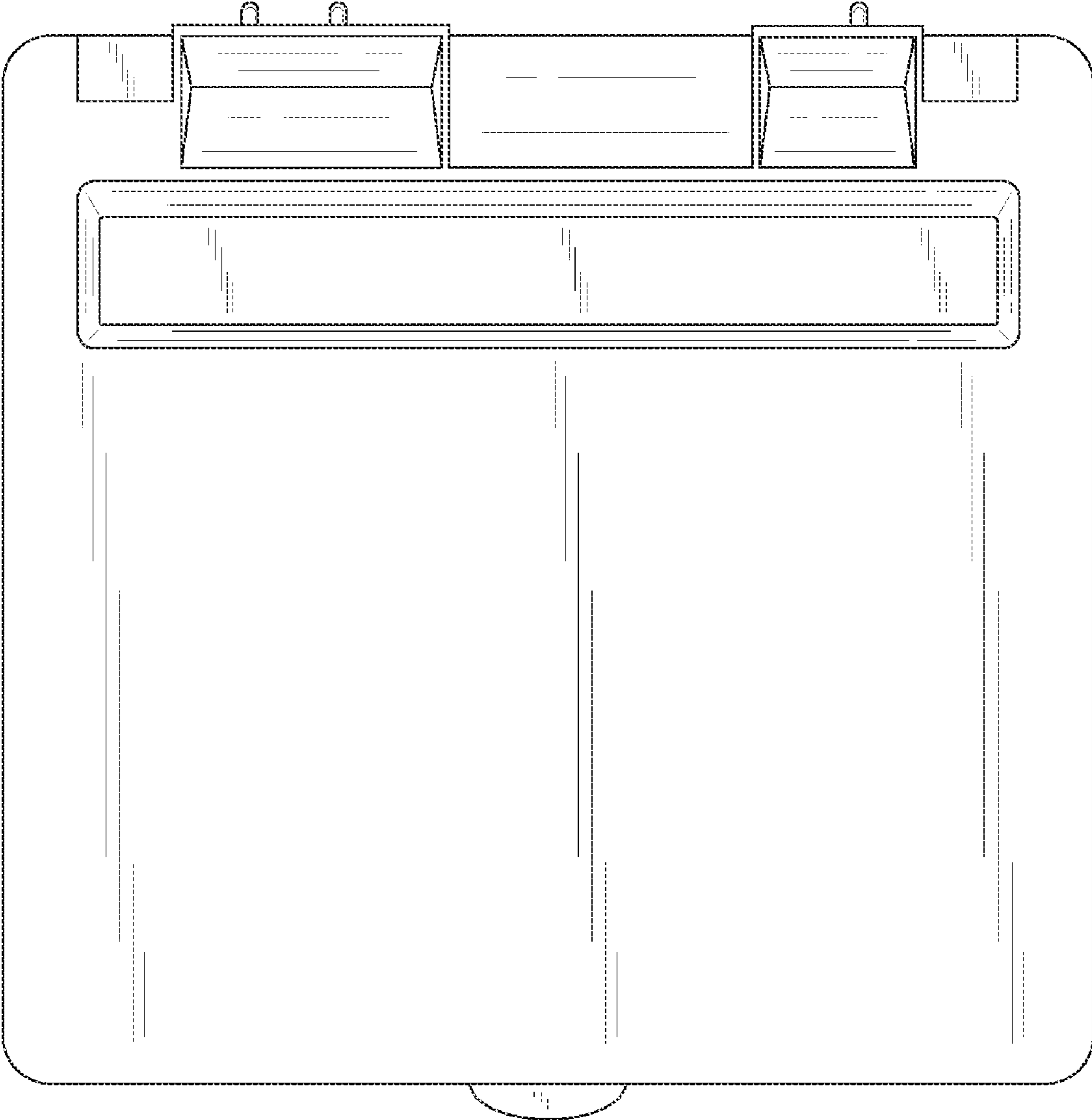


Fig.7

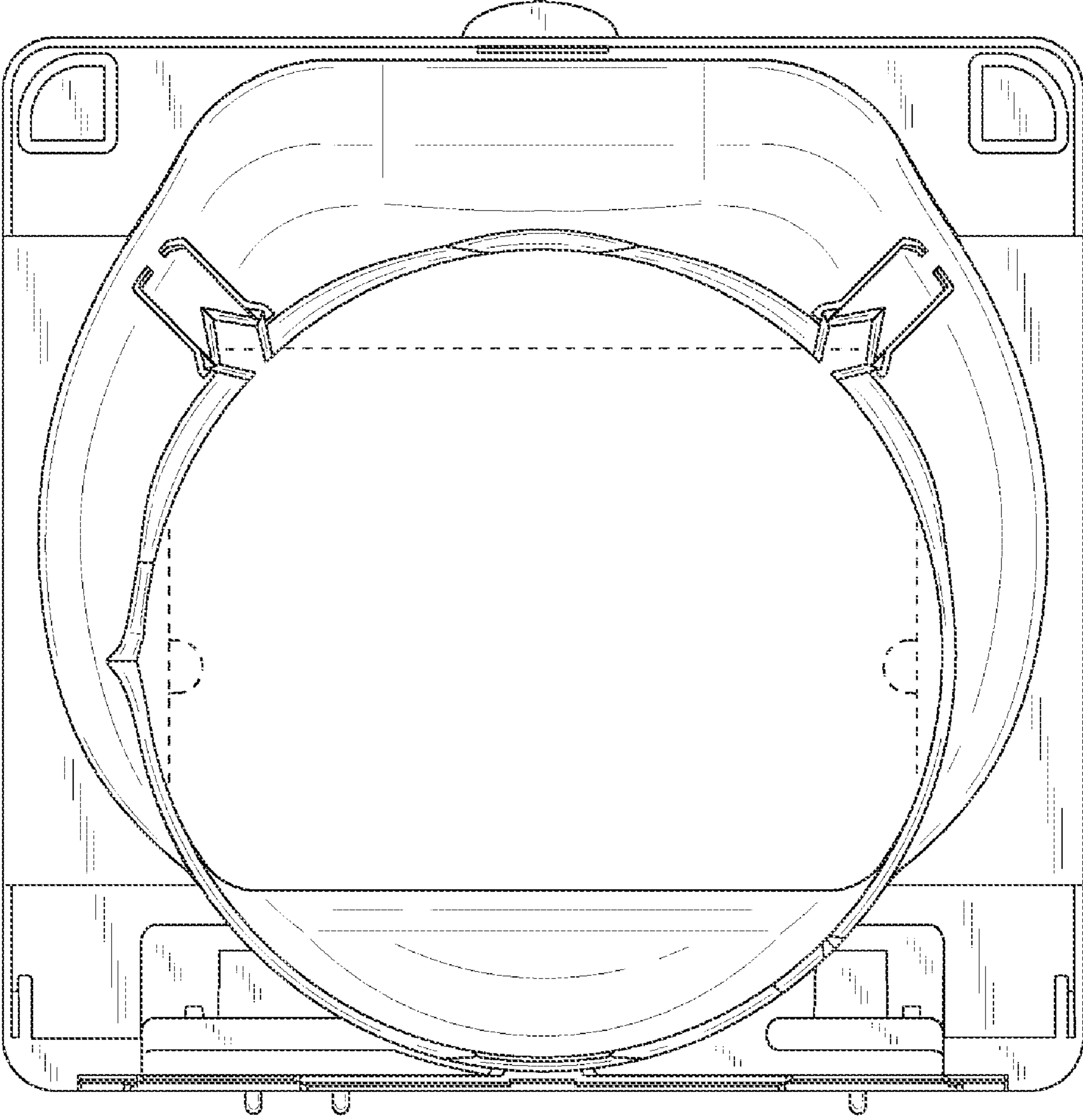


Fig. 8

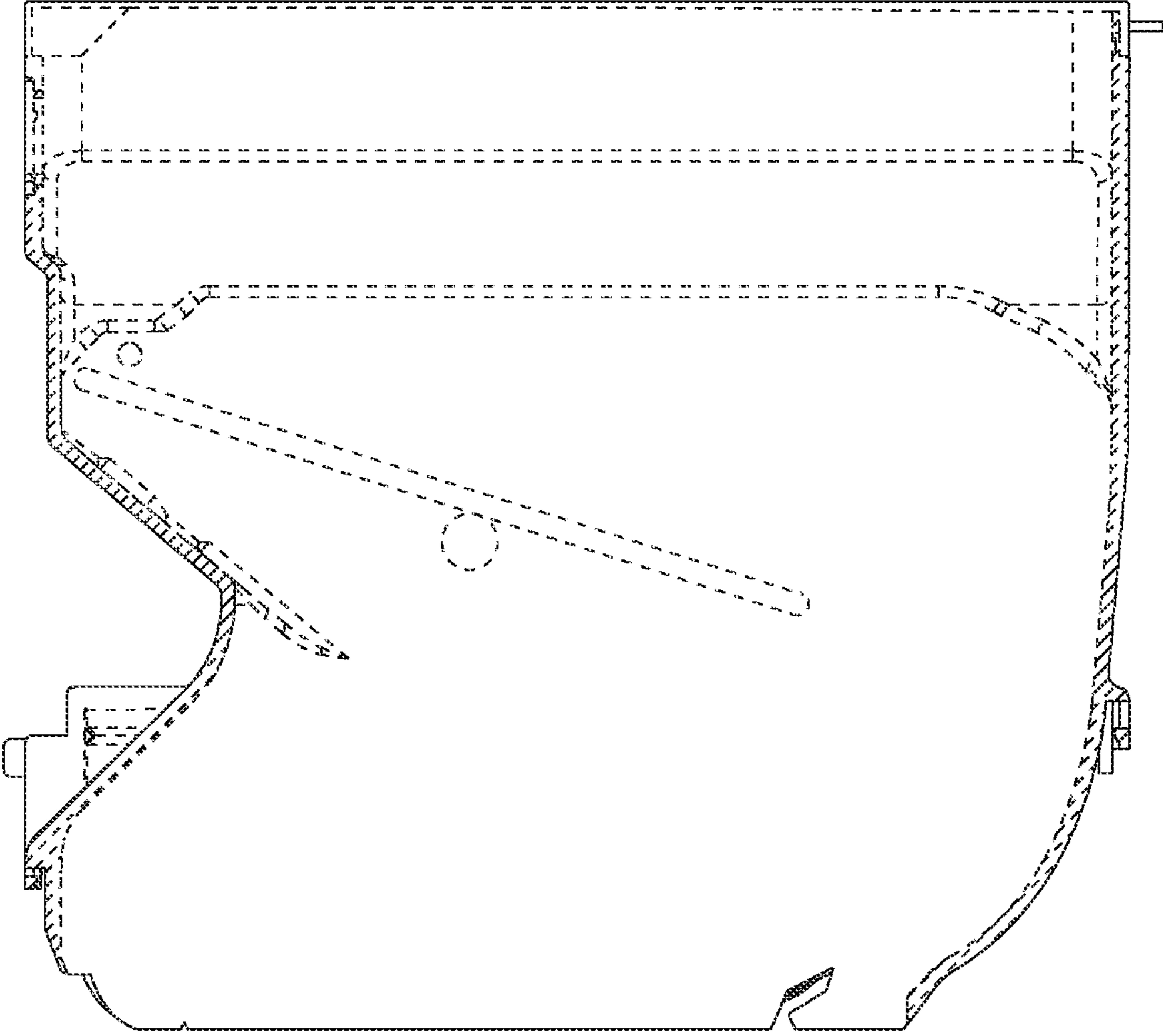


Fig. 9

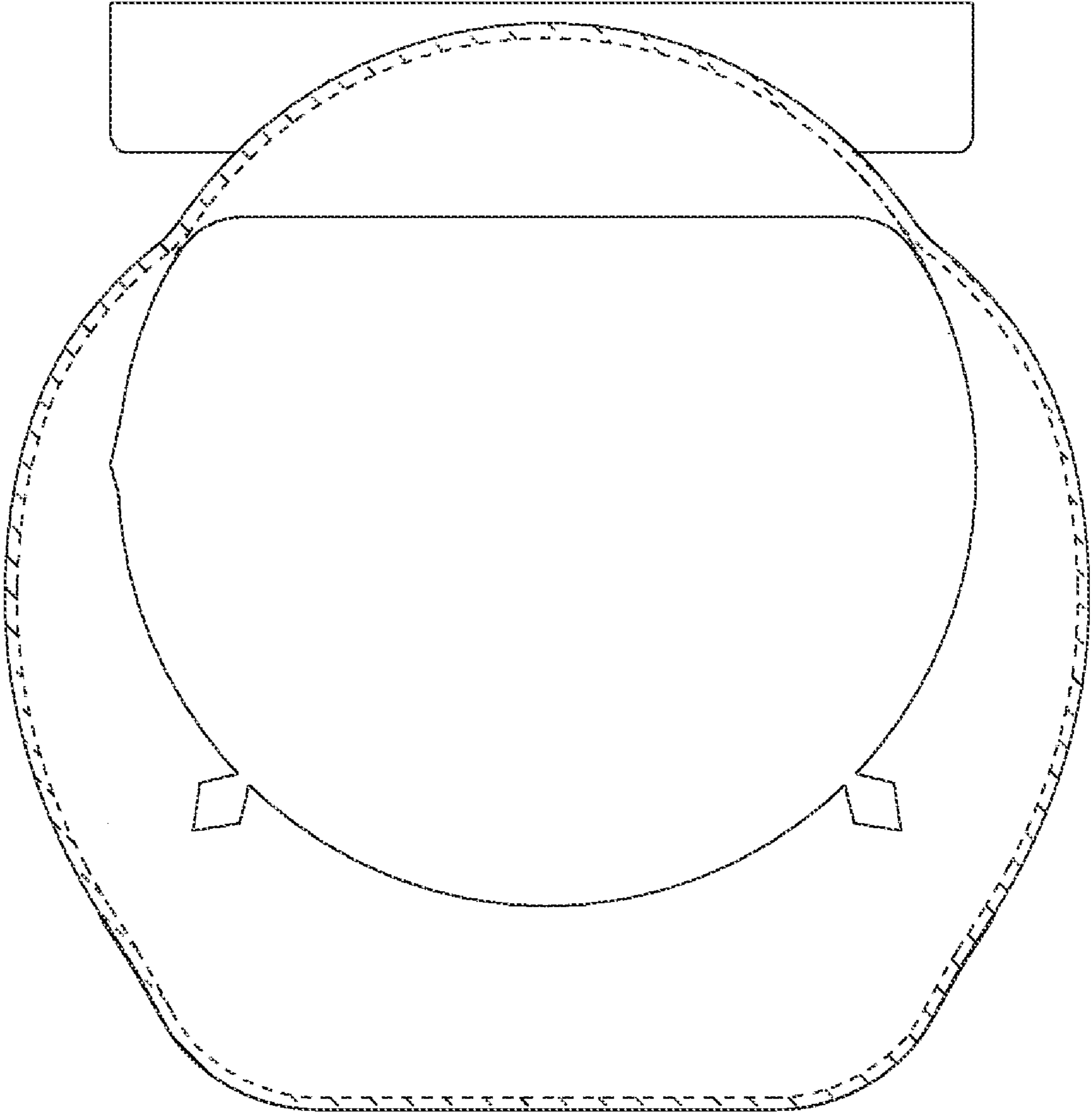


Fig. 10

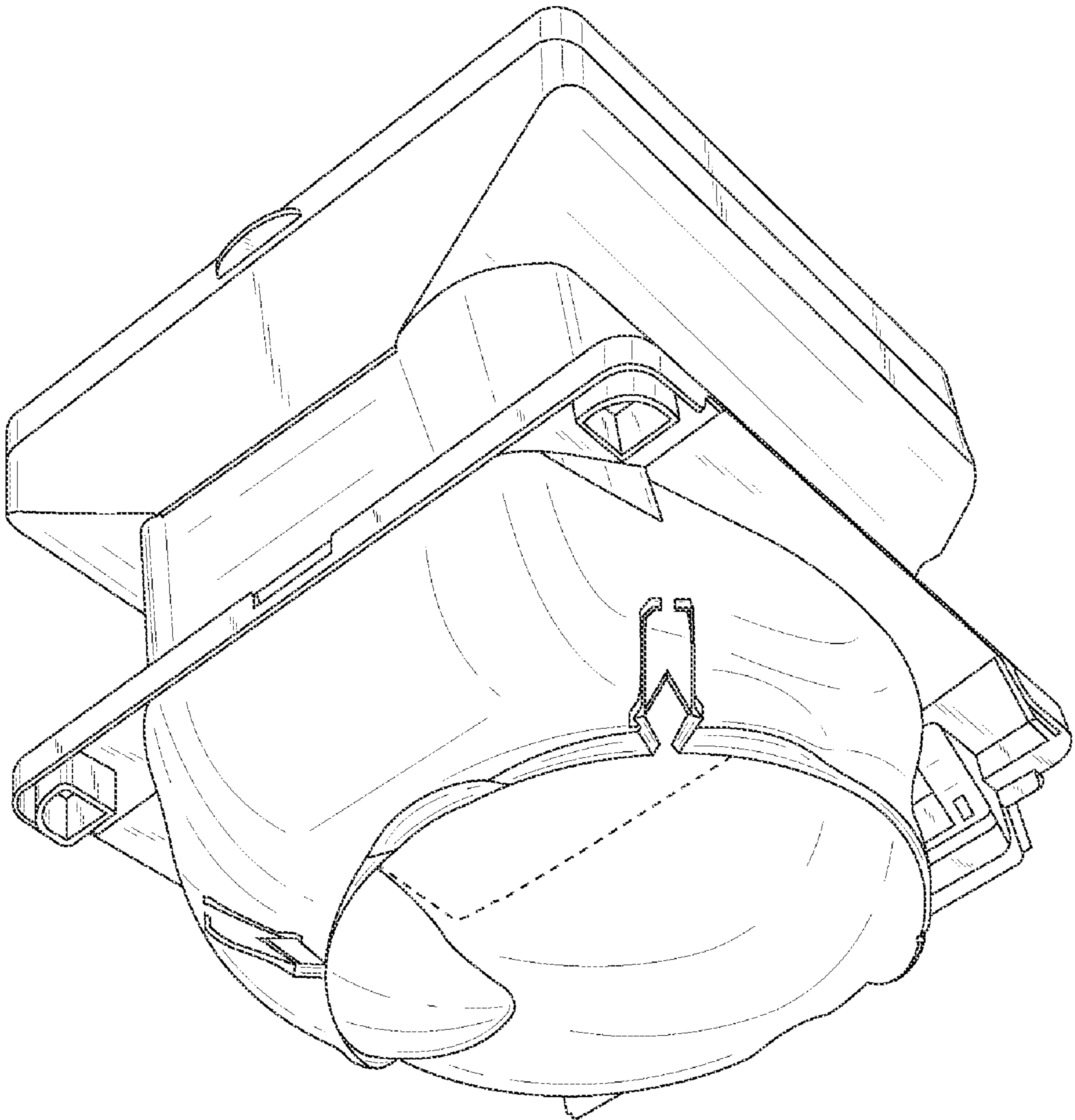


Fig. 11

