



US00D637427S

(12) **United States Design Patent**
Troyner et al.

(10) **Patent No.:** **US D637,427 S**

(45) **Date of Patent:** **** May 10, 2011**

(54) **SHELF AND SUPPORT FOR SHELVING UNIT**

(75) Inventors: **Anthony J. Troyner**, Shorewood, IL (US); **David J. Wojtowicz**, Orland Park, IL (US); **Thomas St. Germain**, Bridgeview, IL (US); **Antonio Luis Escalante**, Chicago, IL (US)

(73) Assignee: **Edsal Manufacturing Co., Inc.**, Chicago, IL (US)

(**) Term: **14 Years**

(21) Appl. No.: **29/365,087**

(22) Filed: **Jul. 2, 2010**

(51) **LOC (9) Cl.** **06-02**

(52) **U.S. Cl.** **D6/511**

(58) **Field of Classification Search** D6/396–397, D6/449, 461–462, 465, 467, 474, 476–479, D6/499, 509, 511, 513, 566; 211/88.01, 211/183, 85.26, 133.2, 134, 90.01, 181.1, 211/182, 153; 108/59–61, 91–93, 147.11; D7/408–409

See application file for complete search history.

(56) **References Cited**

U.S. PATENT DOCUMENTS

2,057,429	A *	10/1936	Heim	211/153
3,269,556	A *	8/1966	Streater	211/132.1
D215,773	S *	10/1969	Maslow	D6/462
D251,106	S *	2/1979	Petursson	D7/409
4,637,323	A *	1/1987	Nicely	108/107
D289,479	S *	4/1987	Brancher	D6/511
D291,165	S *	8/1987	Ray	D6/465
D292,658	S *	11/1987	Kester	D6/465
D326,579	S *	6/1992	Leeds	D6/511
D341,967	S *	12/1993	Cohn	D6/511
D378,481	S *	3/1997	Oberhaus et al.	D6/511
D385,444	S *	10/1997	Welch et al.	D6/511
5,676,263	A *	10/1997	Chang	211/187
5,752,610	A *	5/1998	Remmers	211/181.1
5,779,070	A *	7/1998	Dickinson et al.	211/187
5,810,179	A *	9/1998	Kleiman	211/88.01
D419,344	S *	1/2000	Greene	D6/511

D424,836	S *	5/2000	Kopala, Jr.	D6/465
D425,754	S *	5/2000	Matteson et al.	D7/409
D427,487	S *	7/2000	Holbrook	D7/409
D444,997	S *	7/2001	Bartley	D7/409
D445,617	S *	7/2001	Von Gunten et al.	D6/511

(Continued)

Primary Examiner — Elizabeth A Albert

Assistant Examiner — Kelley A Donnelly

(74) *Attorney, Agent, or Firm* — Wood, Herron & Evans, LLP

(57) **CLAIM**

The ornamental design for a shelf and support for shelving unit, as shown and described.

DESCRIPTION

FIG. 1 is a perspective view of a shelf and support showing the new design;

FIG. 2 is an enlarged perspective view of a portion of FIG. 1 showing the new design;

FIG. 3 is a top view of FIG. 2;

FIG. 4 is a left side elevational view of FIG. 2, the right view being a mirror image;

FIG. 5 is cross-sectional view of the invention taken on line 5—5 of FIG. 2;

FIG. 6 is a bottom view of FIG. 3;

FIG. 7 is a perspective view of a second embodiment of the invention;

FIG. 8 is a top view of FIG. 7

FIG. 9 is a left side elevational view of FIG. 7, the right view being a mirror image;

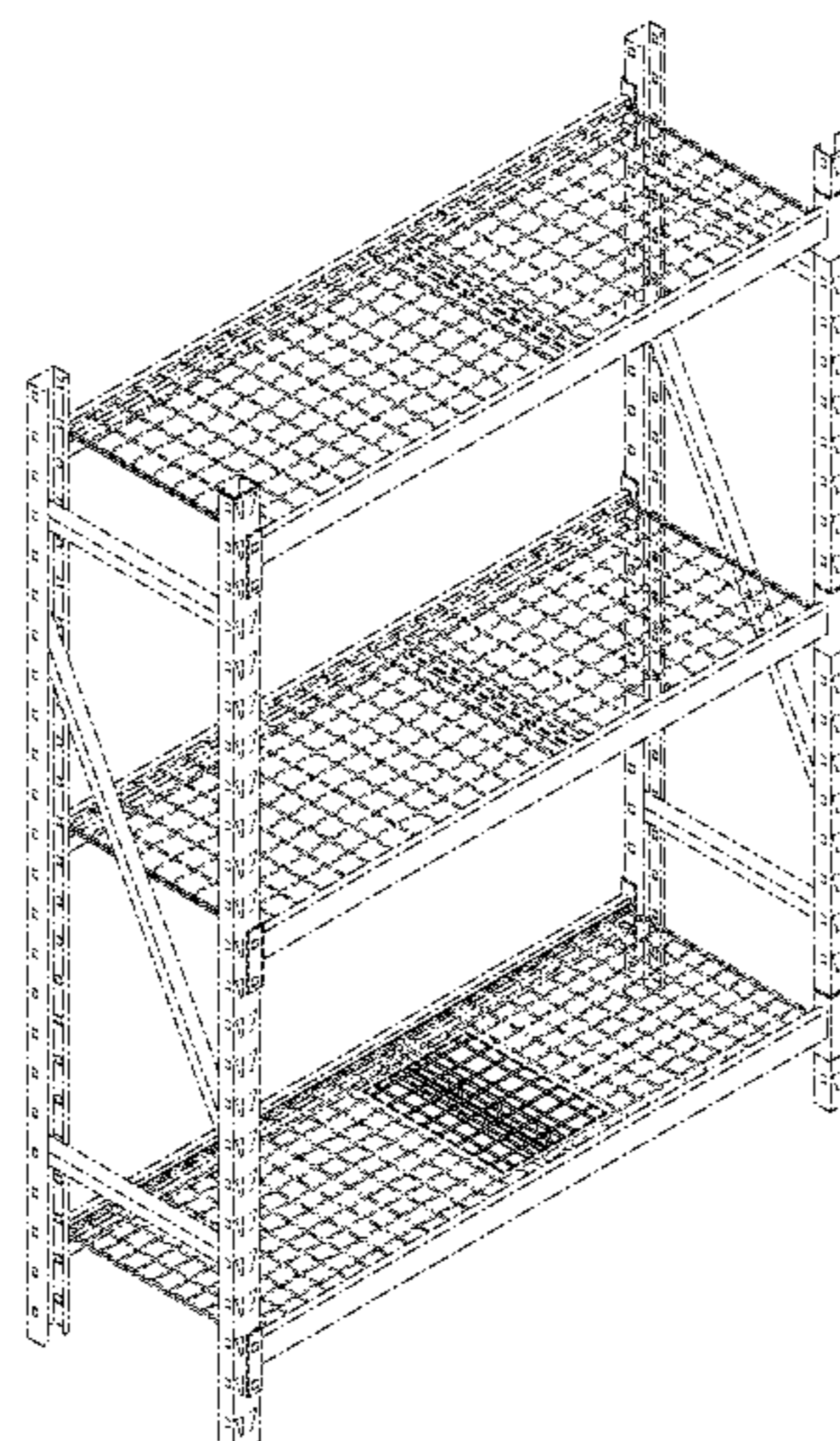
FIG. 10 is cross-sectional view of the invention taken on line 10—10 of FIG. 7; and,

FIG. 11 is a bottom view of FIG. 8.

The long and short broken lines are included for the purpose of illustrating environment and form no part of the claimed design.

The heavy evenly spaced broken lines in shown in FIGS. 1 through 11 define the bounds of the claimed design and form no part thereof.

1 Claim, 7 Drawing Sheets



US D637,427 S

Page 2

U.S. PATENT DOCUMENTS

D452,093	S *	12/2001	Johnson	D6/509		
D471,033	S *	3/2003	Yamaguchi	D6/465		
D471,381	S *	3/2003	Yamaguchi	D6/465		
D485,092	S *	1/2004	Rosen	D6/465		
D485,109	S *	1/2004	Oberhaus	D6/574		
D489,205	S *	5/2004	Droppers et al.	D6/511		
D498,633	S *	11/2004	Anderson et al.	D6/566		
D509,706	S *	9/2005	Shin	D7/409		
D522,067	S *	5/2006	Allen	D21/321		
D525,811	S *	8/2006	Nawrocki	D6/513		
D526,519	S *	8/2006	Nawrocki	D6/511		
D527,935	S *	9/2006	Remmers	D6/511		
7,131,547	B2 *	11/2006	Gawel	211/183		
D545,092	S *	6/2007	Knorring et al.	D6/510		
D550,983	S *	9/2007	Van Es	D6/464		
D551,884	S *	10/2007	Remmers	D6/511		
D580,192	S *	11/2008	Sparkowski	D6/461		
D588,839	S *	3/2009	Klein et al.	D6/462		
D592,897	S *	5/2009	Welsch et al.	D6/511		
D597,354	S *	8/2009	Liss	D6/511		
D611,743	S *	3/2010	Mitten et al.	D6/511		
D620,729	S *	8/2010	Snider	D6/467		
D623,440	S *	9/2010	Daniel et al.	D6/465		
D627,180	S *	11/2010	McCombs et al.	D6/511		
2003/0146177	A1 *	8/2003	Miller et al.	211/59.2		

* cited by examiner

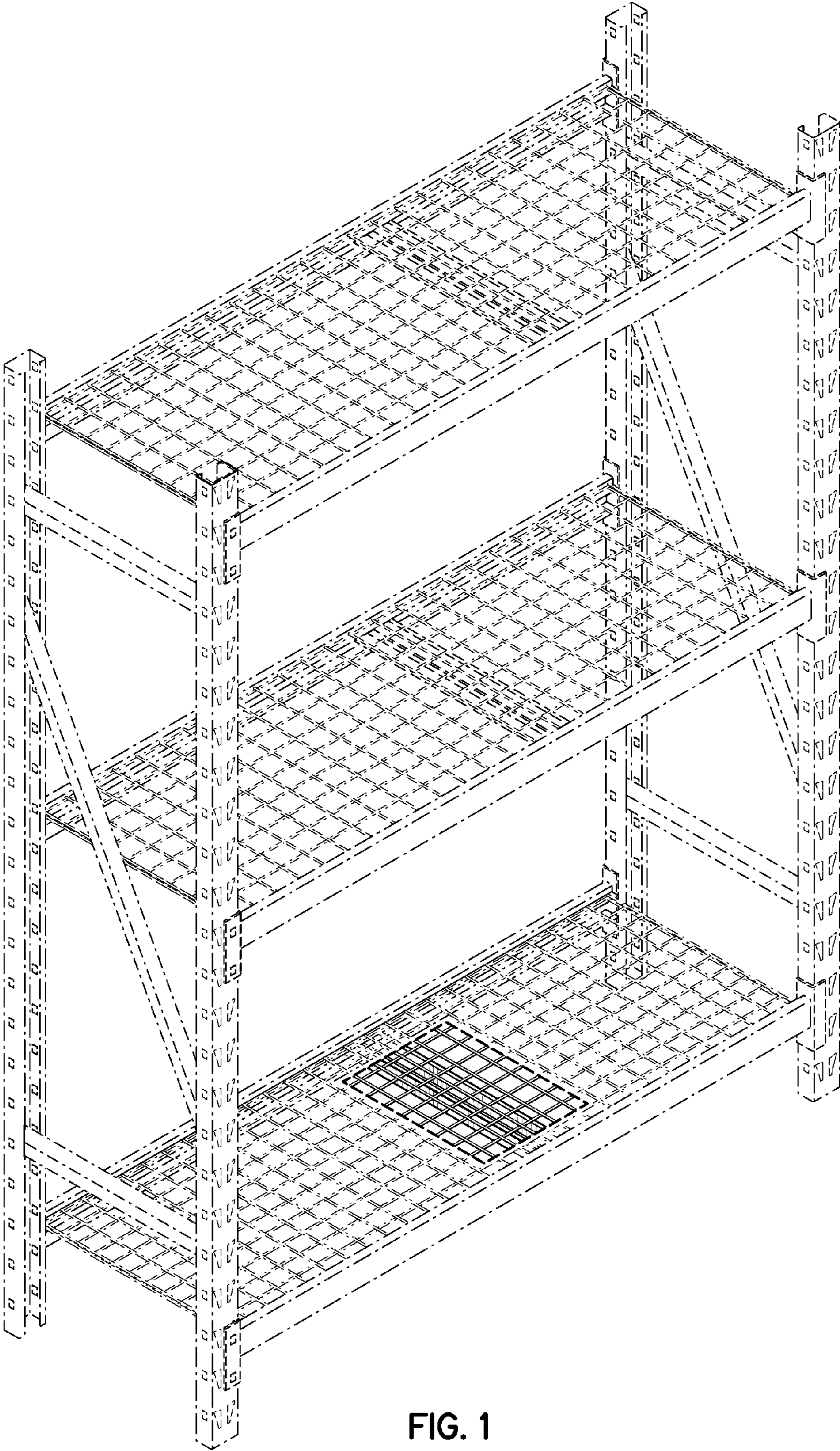


FIG. 1

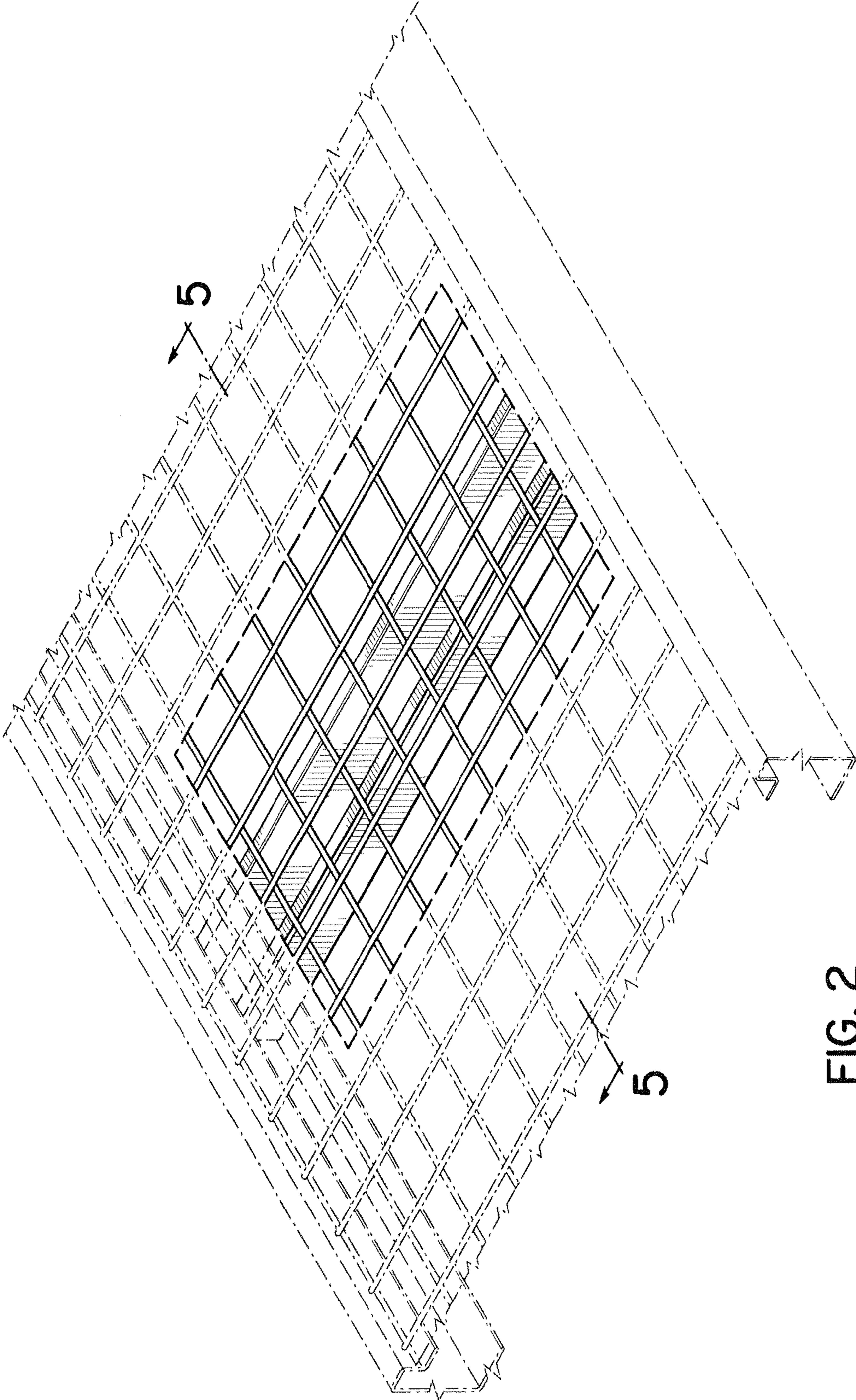


FIG. 2

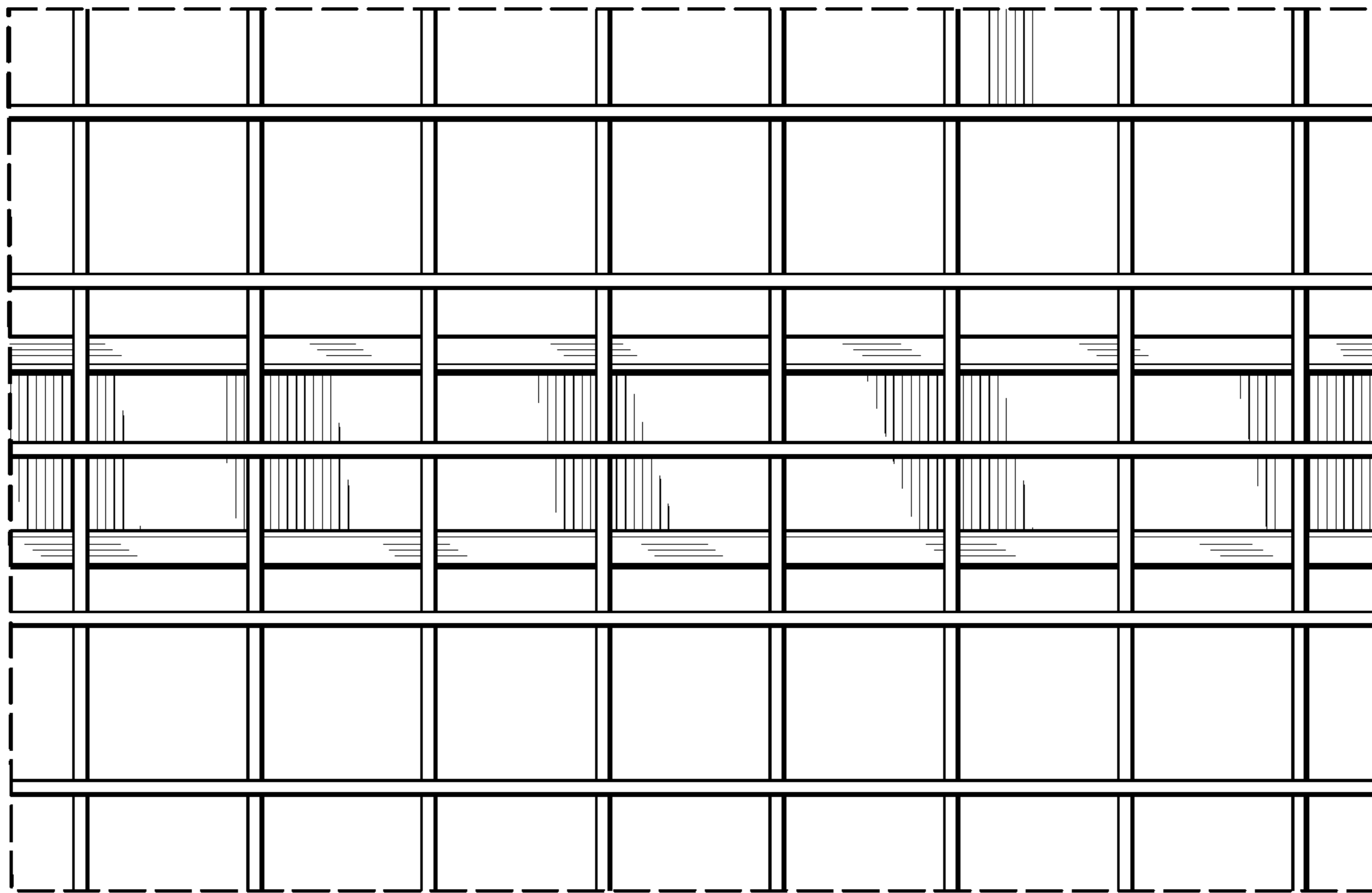


FIG. 3

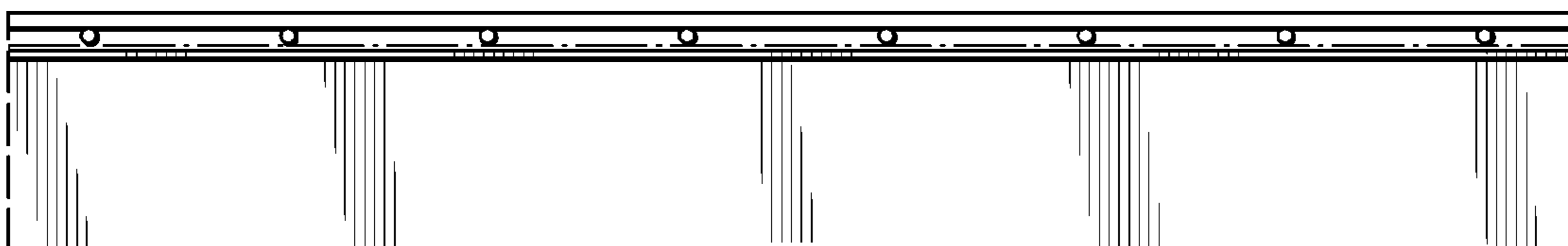


FIG. 4

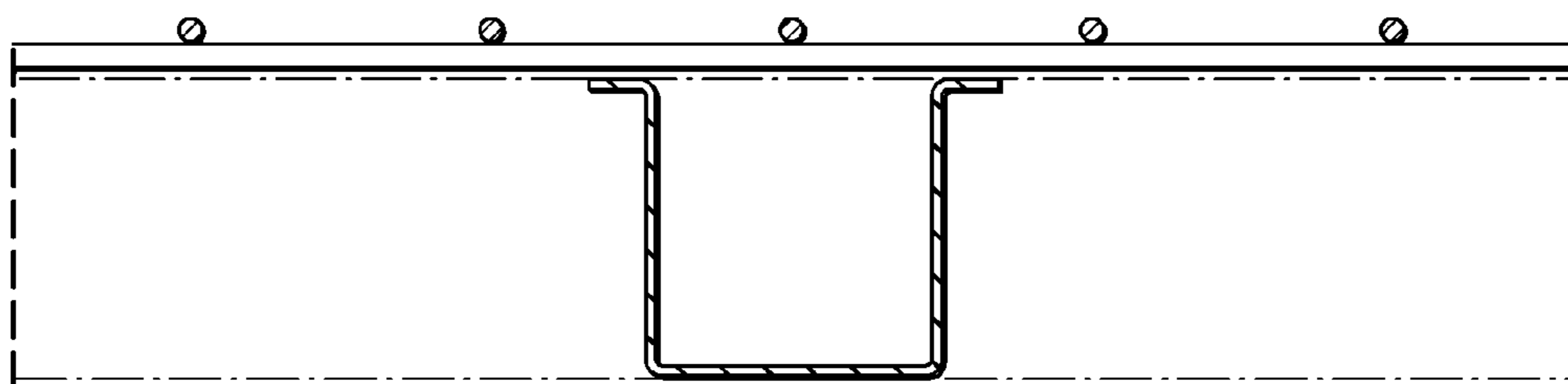


FIG. 5

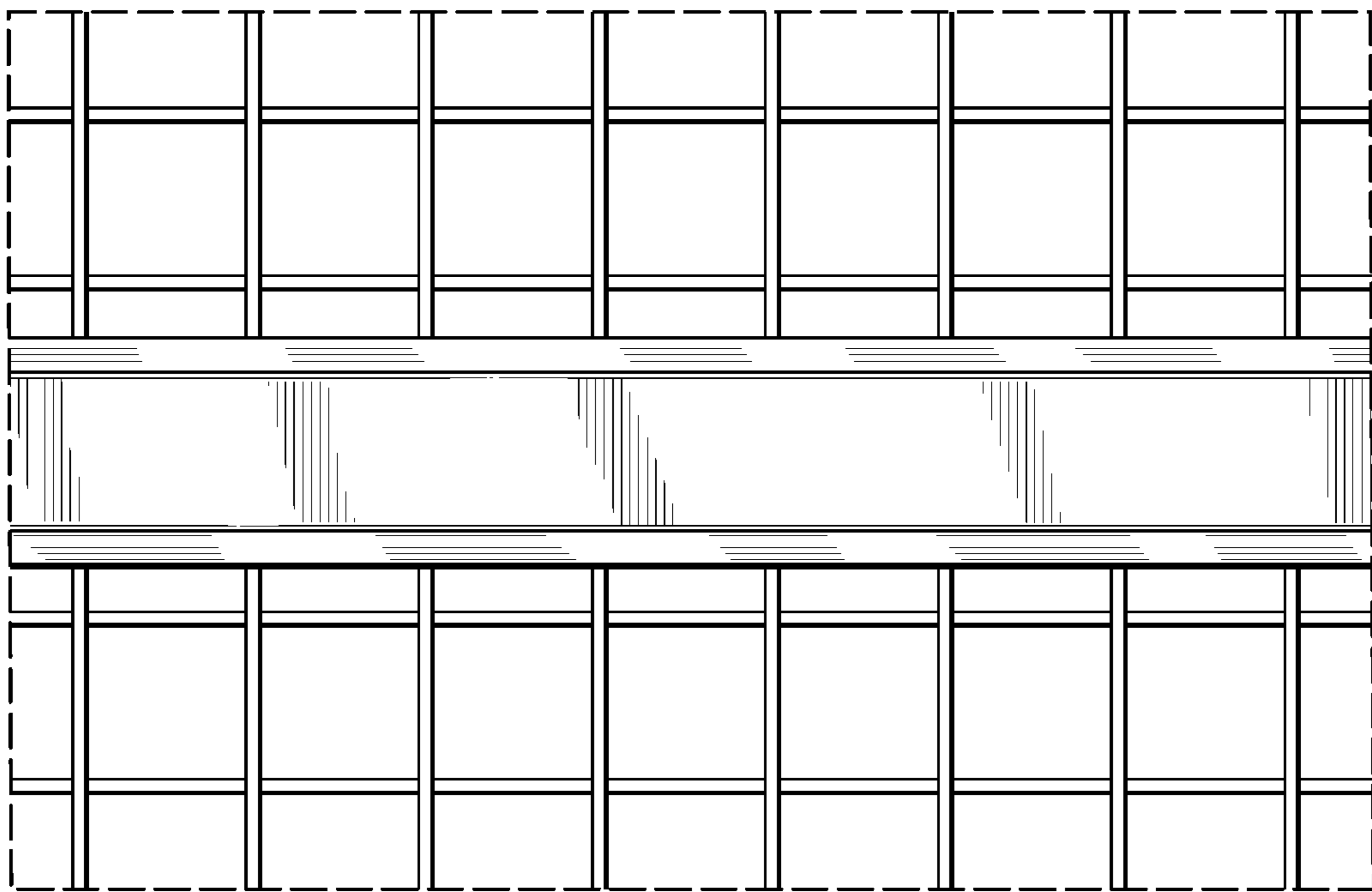


FIG. 6

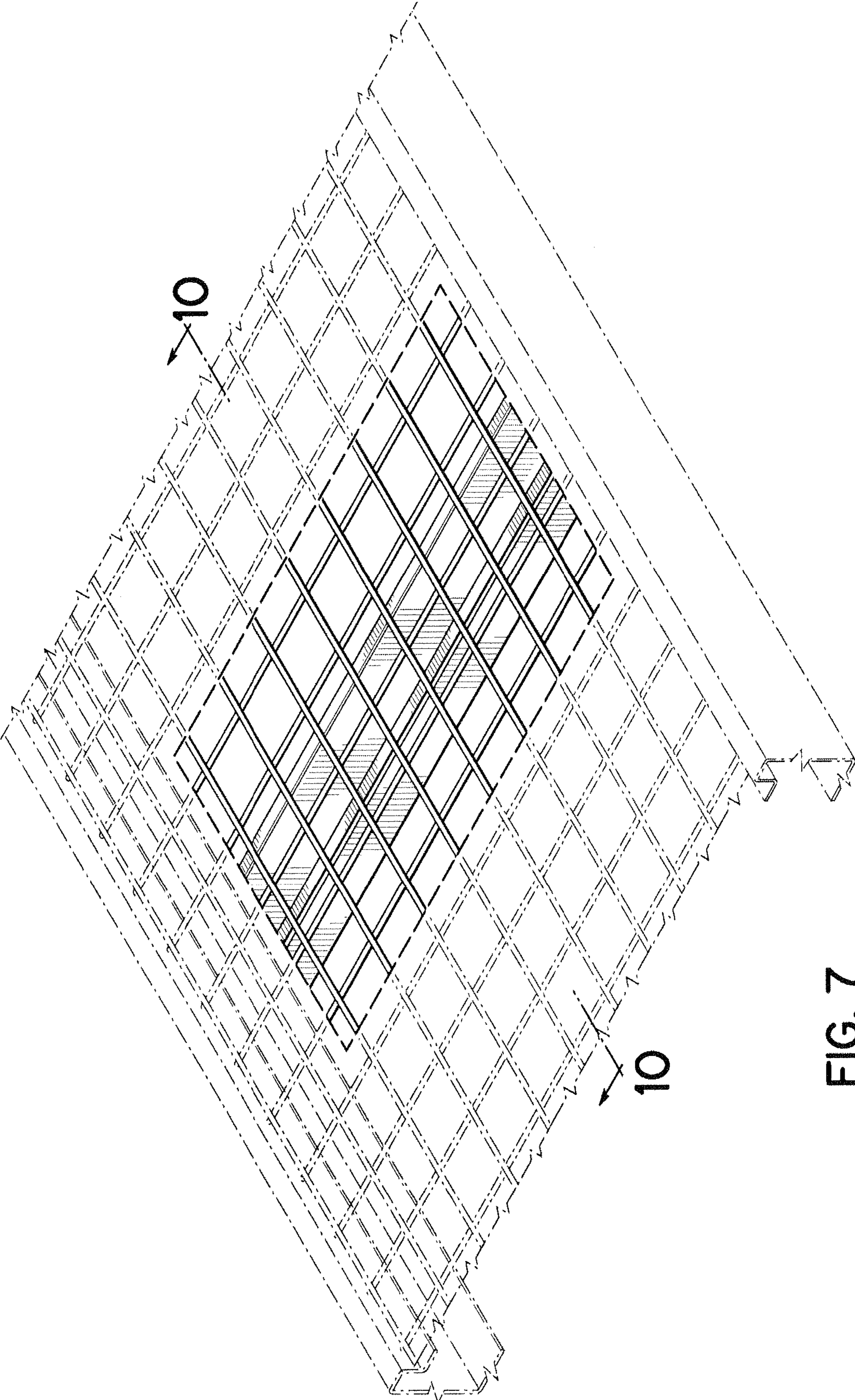


FIG. 7

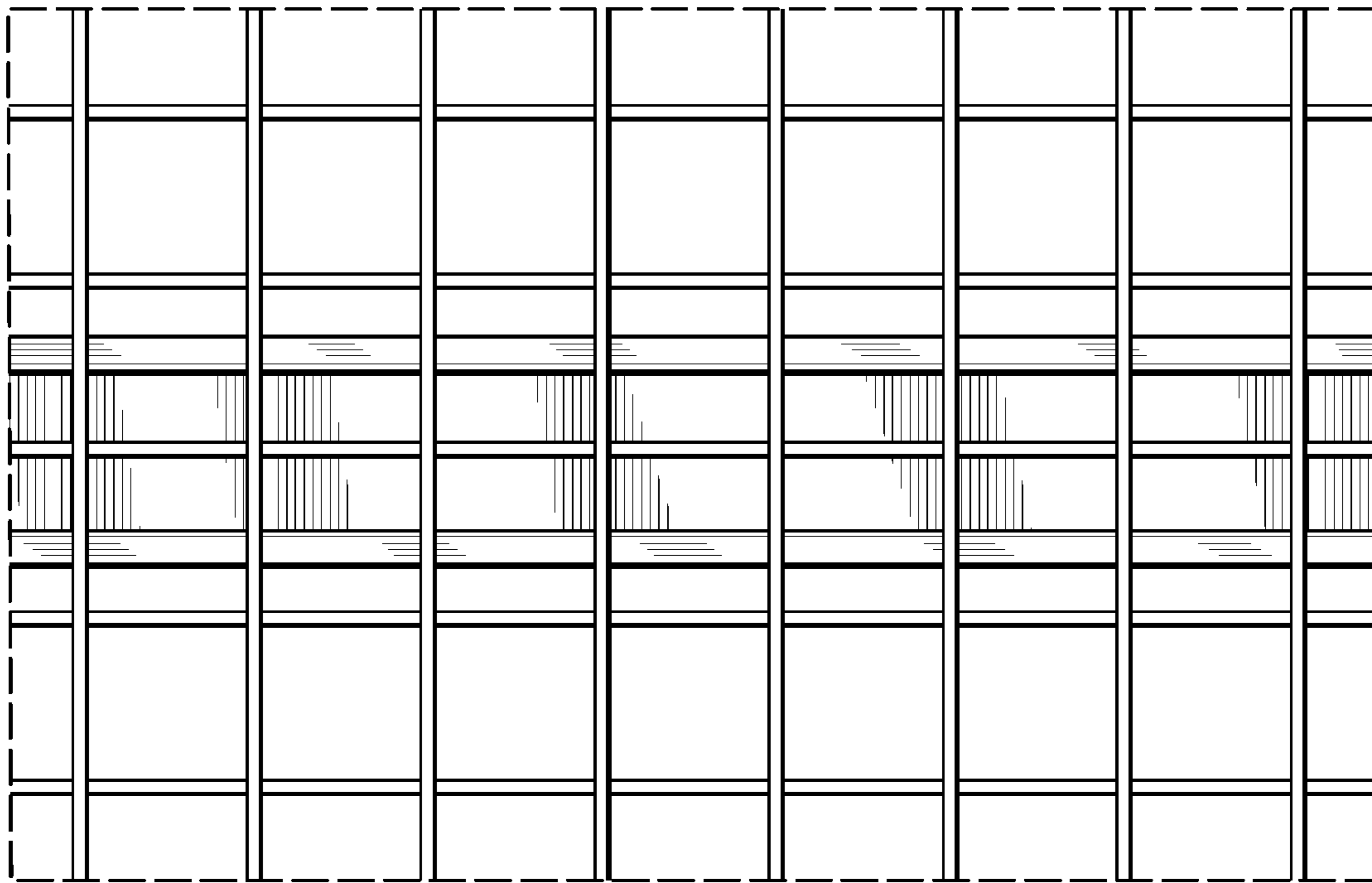


FIG. 8

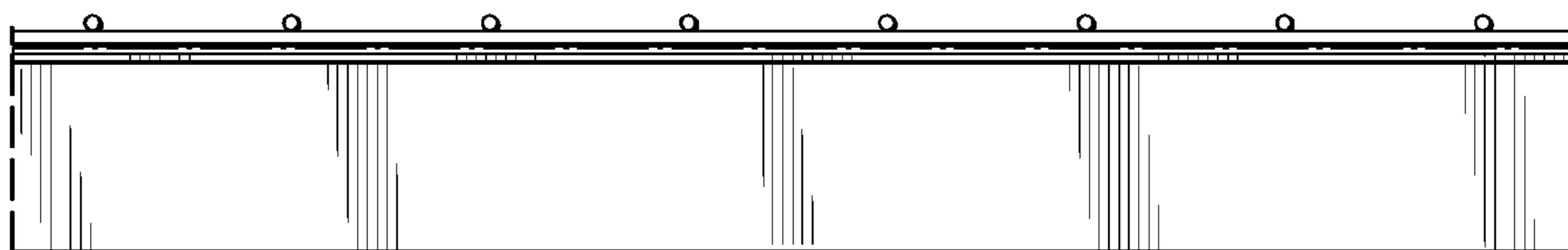


FIG. 9

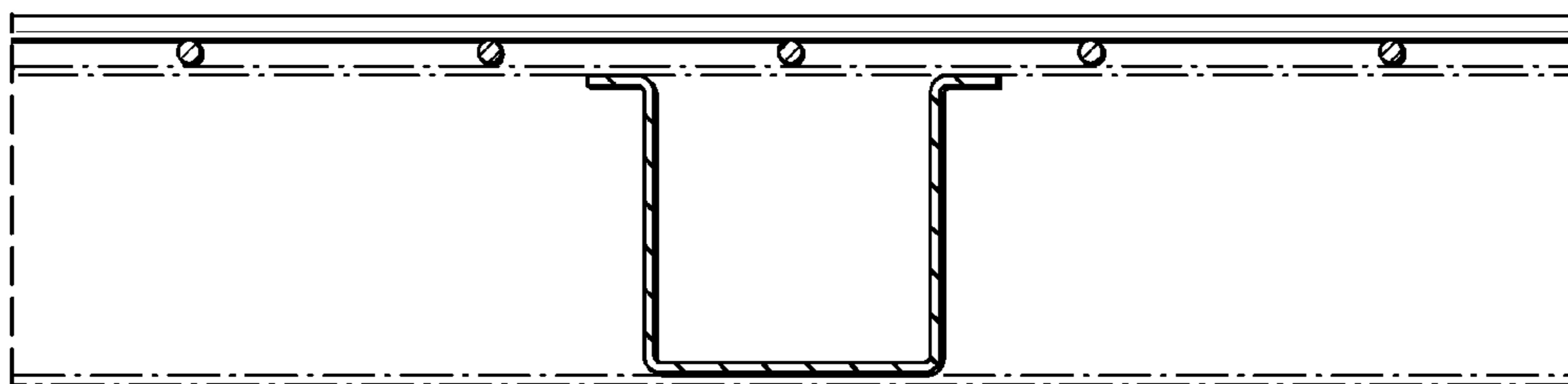


FIG. 10

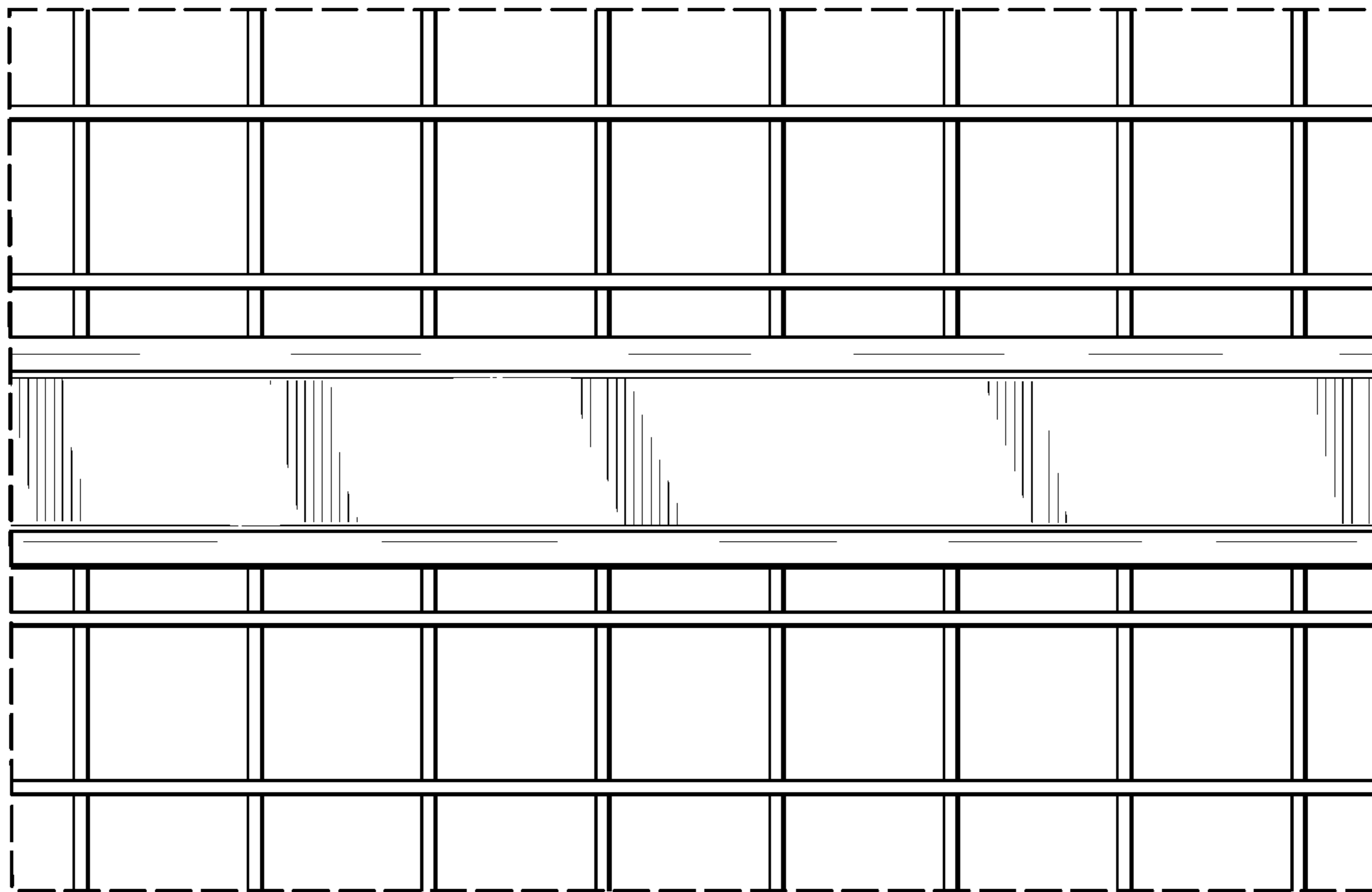


FIG. 11