



US00D637426S

(12) **United States Design Patent**  
**Muller**

(10) **Patent No.:** **US D637,426 S**  
(45) **Date of Patent:** **\*\* May 10, 2011**

(54) **SEAT FRAME**  
(75) **Inventor:** **Carl A. Muller**, Huntington Beach, CA (US)  
(73) **Assignee:** **Elite Manufacturing Corporation**, Santa Fe Springs, CA (US)  
(\*\*) **Term:** **14 Years**  
(21) **Appl. No.:** **29/378,749**

D543,733 S 6/2007 Muller  
D545,087 S 6/2007 Muller  
D547,957 S 8/2007 Muller  
D566,996 S 4/2008 Muller  
D566,997 S 4/2008 Muller  
D573,377 S 7/2008 Muller  
D573,379 S 7/2008 Muller  
D573,816 S 7/2008 Muller  
D574,640 S 8/2008 Muller  
D605,880 S 12/2009 Muller  
D606,343 S 12/2009 Muller  
D606,779 S 12/2009 Muller  
D609,035 S 2/2010 Muller  
D613,097 S 4/2010 Muller

(Continued)

(22) **Filed:** **Nov. 9, 2010**

(51) **LOC (9) Cl.** ..... **06-01**

(52) **U.S. Cl.** ..... **D6/502**

(58) **Field of Classification Search** ..... D6/334–336,  
D6/359–369, 372–375, 379–381, 498, 500–502;  
297/218.1, 284.4, 411.27, 452.13, 452.19,  
297/452.21, 452.29, 452.3, 452.56, 452.64;  
601/99

See application file for complete search history.

(56) **References Cited**

**U.S. PATENT DOCUMENTS**

D181,928 S \* 1/1958 Jacobson ..... D6/334  
D188,488 S \* 8/1960 Otto ..... D6/334  
3,567,278 A \* 3/1971 Barecki et al. .... 297/218.1  
D222,997 S \* 2/1972 Edgar ..... D6/374  
D240,780 S \* 8/1976 Dittert ..... D6/366  
D379,563 S \* 6/1997 Bally ..... D6/374  
6,346,088 B1 \* 2/2002 Stone et al. .... 601/99  
D487,983 S 4/2004 Muller  
D487,986 S 4/2004 Muller  
D488,632 S 4/2004 Muller  
D489,193 S 5/2004 Muller  
D498,064 S \* 11/2004 Gomez ..... D6/334  
D502,825 S 3/2005 Muller  
D509,385 S 9/2005 Muller  
D519,761 S 5/2006 Muller  
D526,821 S 8/2006 Muller  
D528,813 S \* 9/2006 Sienkowski et al. .... D6/374  
D540,562 S 4/2007 Muller  
D541,560 S 5/2007 Muller

**OTHER PUBLICATIONS**

Carl A. Muller, Elite Scoop Accent Table #250, 1-page, Apr. 2003.

(Continued)

*Primary Examiner* — Ricky Pham

(74) *Attorney, Agent, or Firm* — Heslin Rothenberg Farley & Mesiti P.C.

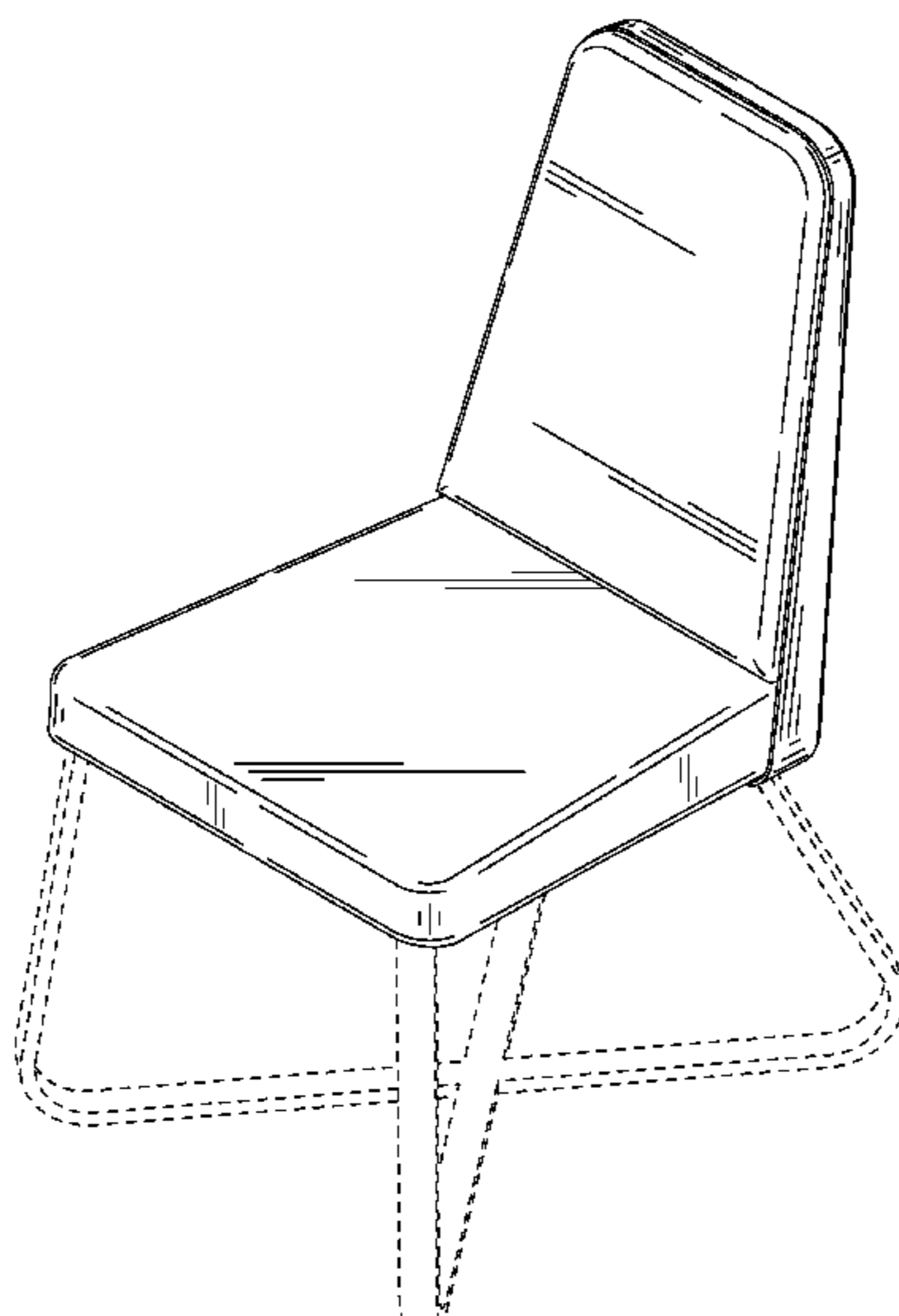
(57) **CLAIM**

The ornamental design for a seat frame, as shown and described.

**DESCRIPTION**

FIG. 1 is an isometric view of a seat frame in accordance with the new design;  
FIG. 2 is a front elevational view thereof;  
FIG. 3 is a right side elevational view thereof;  
FIG. 4 is a left side elevational view thereof;  
FIG. 5 is a rear elevational view thereof;  
FIG. 6 is a top view thereof; and,  
FIG. 7 is an isometric view of an alternative embodiment of the seat frame configured as a barstool.  
The broken lines in the figures are for illustrative purposes only and form no part of the claimed design.

**1 Claim, 7 Drawing Sheets**



# US D637,426 S

Page 2

---

## U.S. PATENT DOCUMENTS

D613,974 S 4/2010 Muller

## OTHER PUBLICATIONS

Carl A. Muller, U.S. Appl. No. 29/378,748, filed Nov. 9, 2010, entitled "Table Base."

Carl A. Muller, U.S. Appl. No. 29/375,326, filed Sep. 21, 2010, entitled "Table Base."

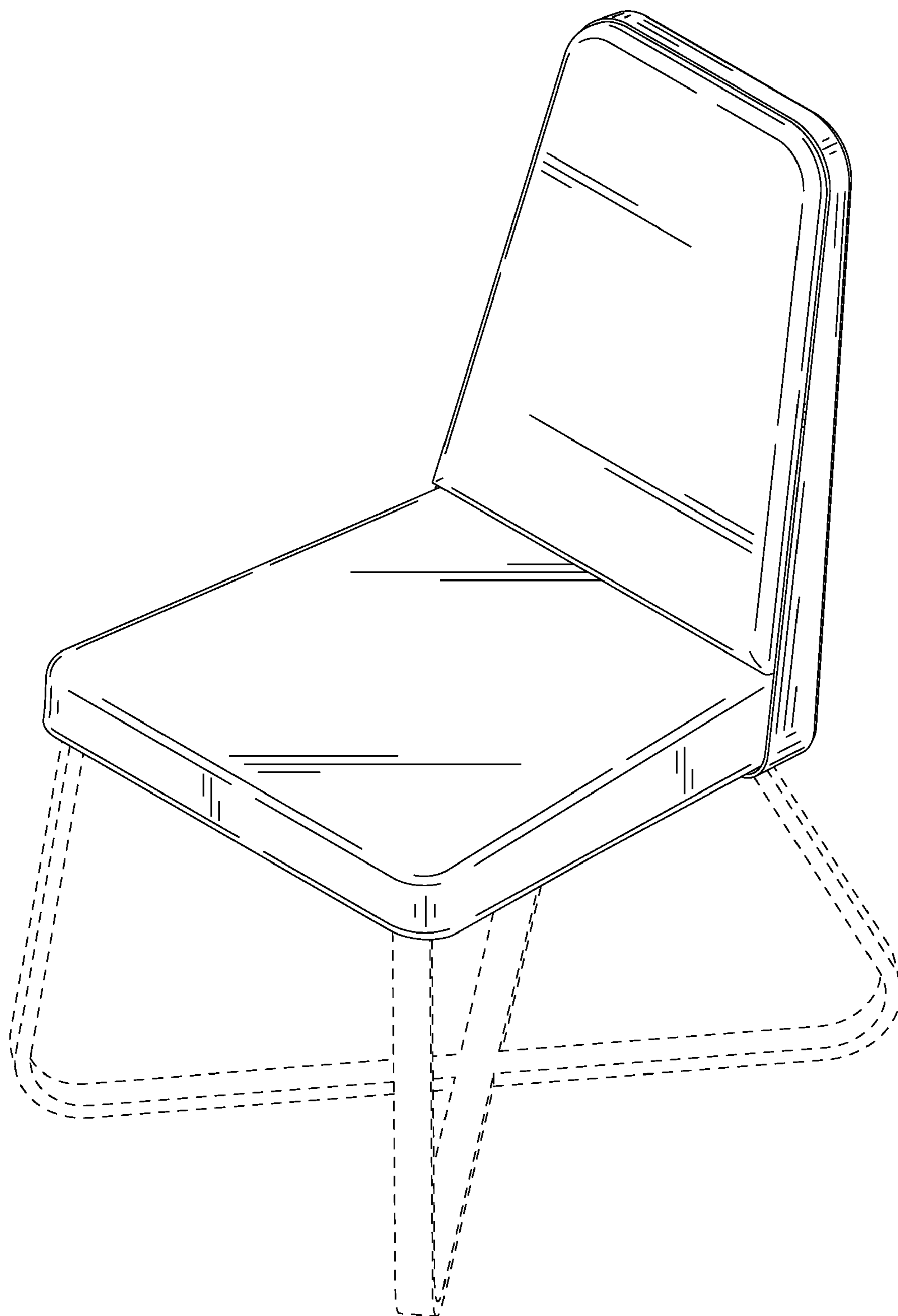
Carl A. Muller, U.S. Appl. No. 29/378,746, filed Nov. 9, 2010, entitled "Chair Backrest."

Encore Table, designed by Carl Muller, available from Elite Manufacturing Corporation, 1-page, Oct. 17, 2009.

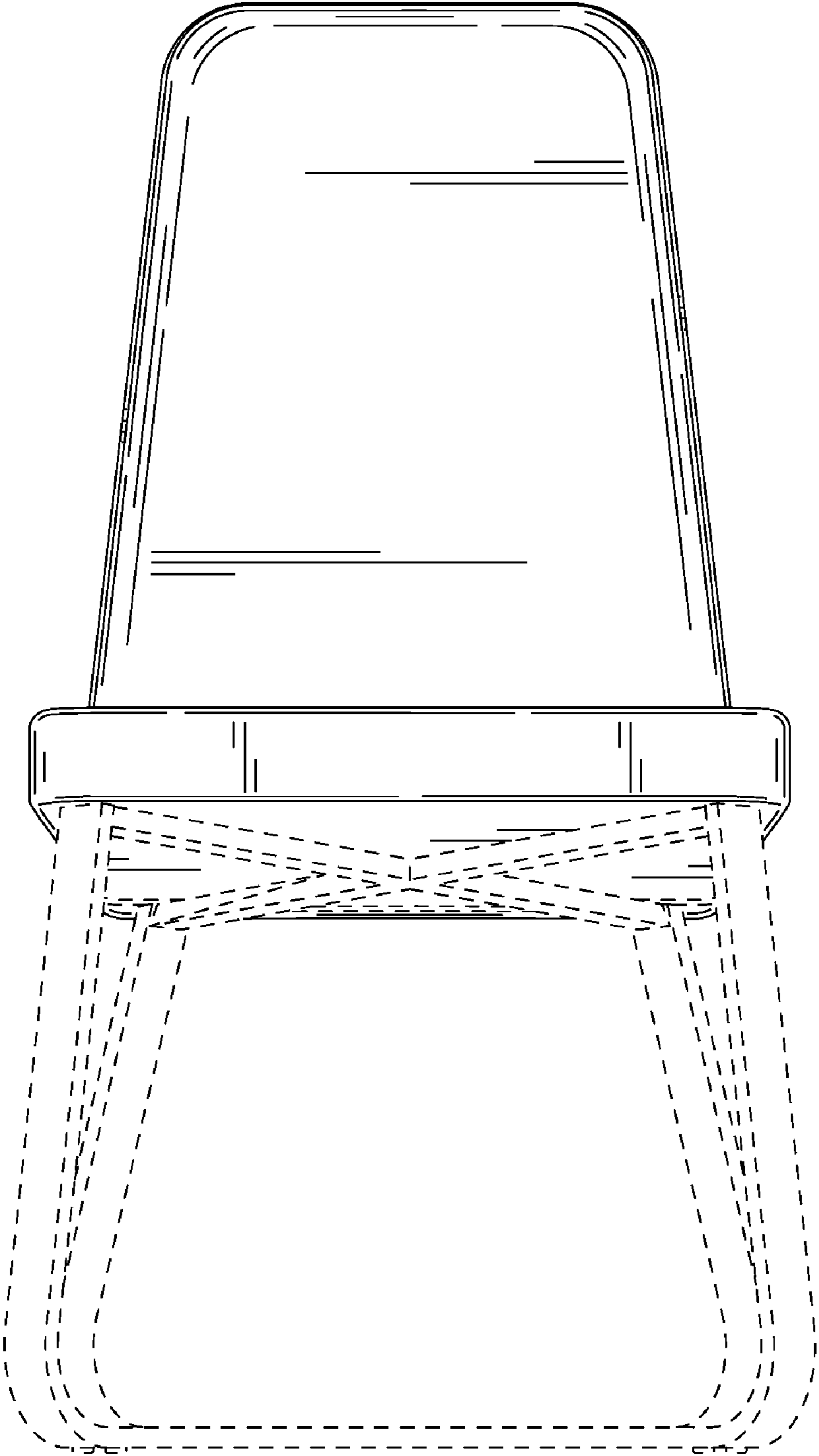
Wave Tables, designed by Rick Lee, available from Elite Manufacturing Corporation, 2-pages, 2008.

Jo-Lie Chair, designed by Roberto Romanello, manufactured by Segis, Italy, 2006.

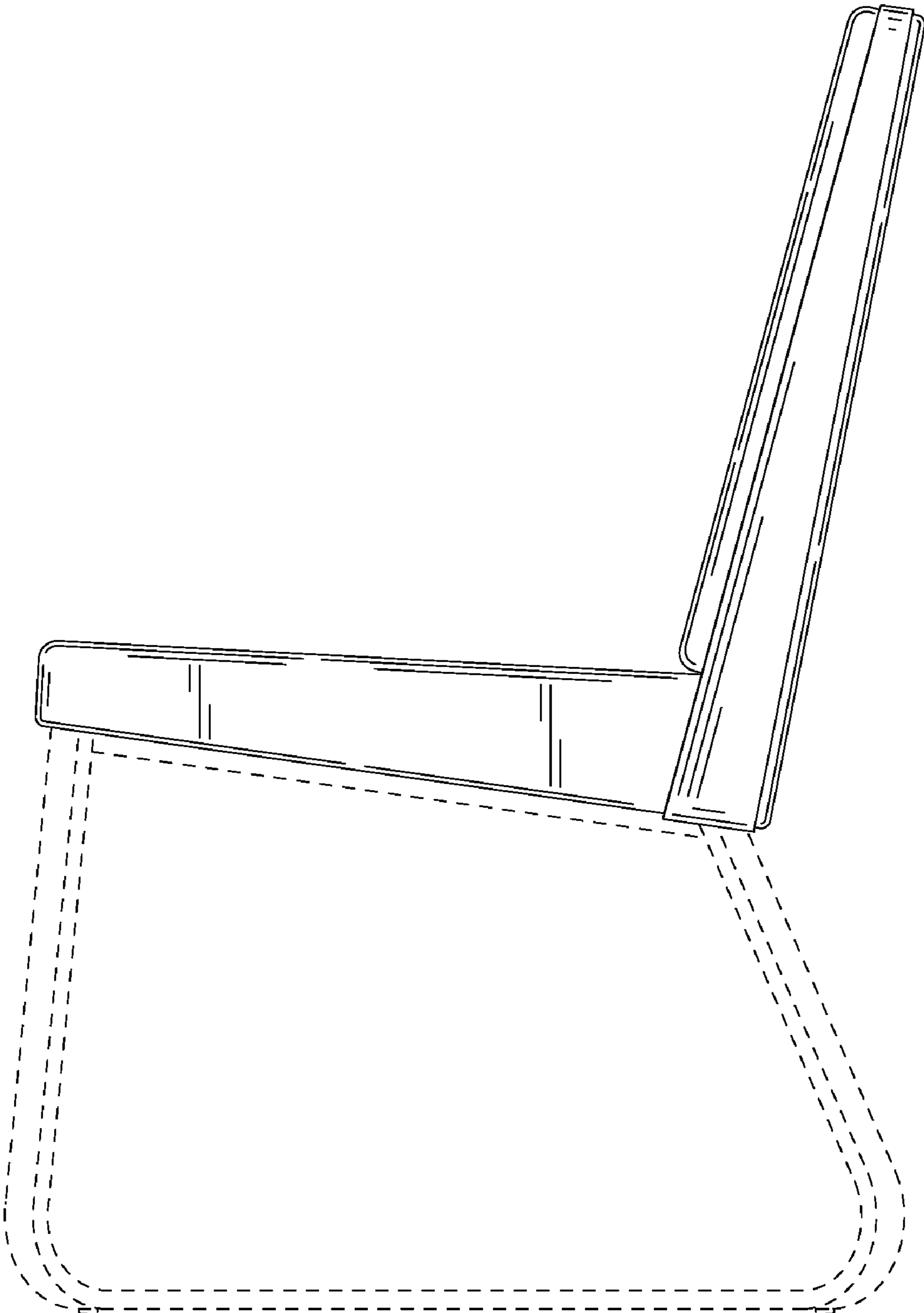
\* cited by examiner



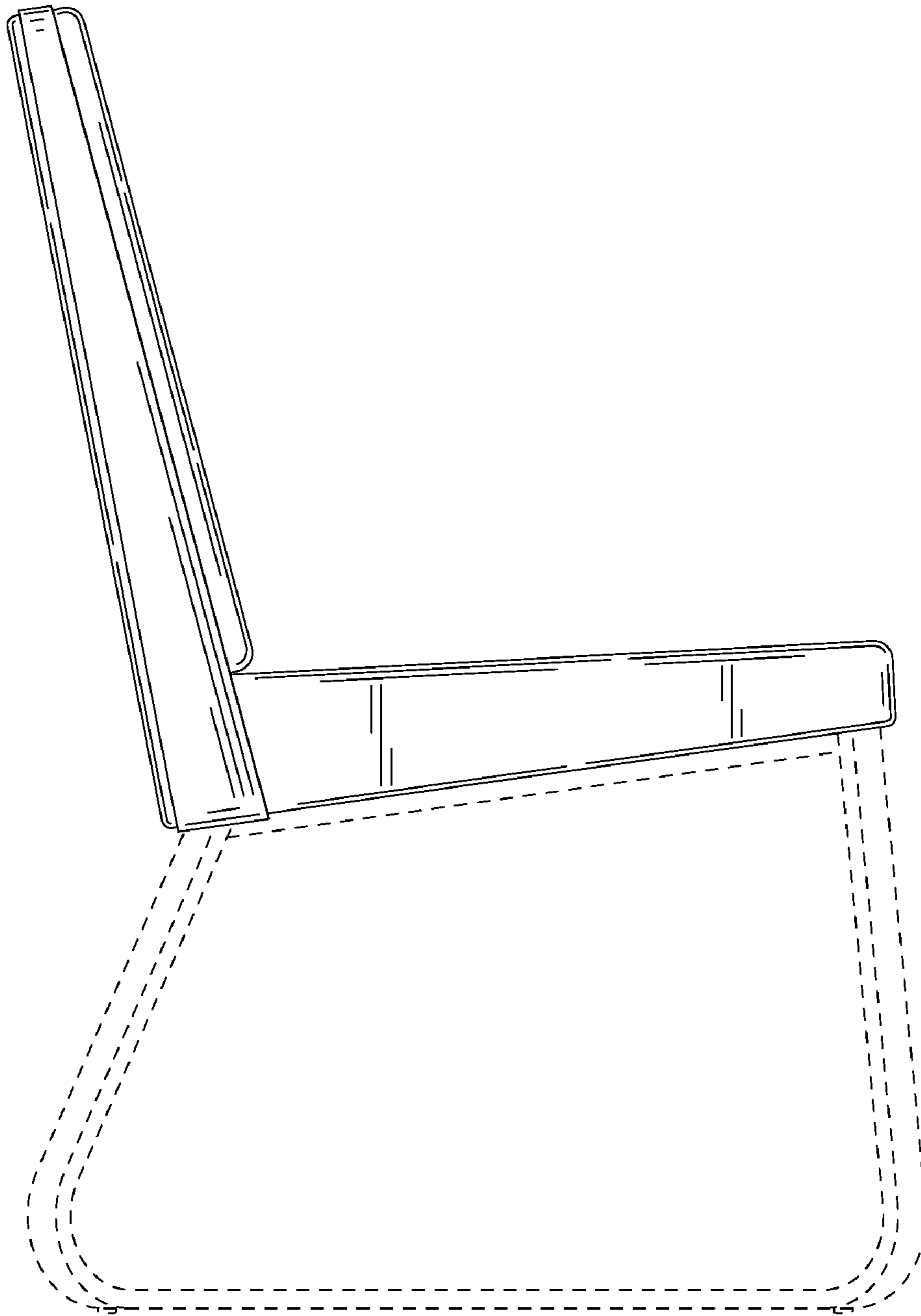
**FIG. 1**



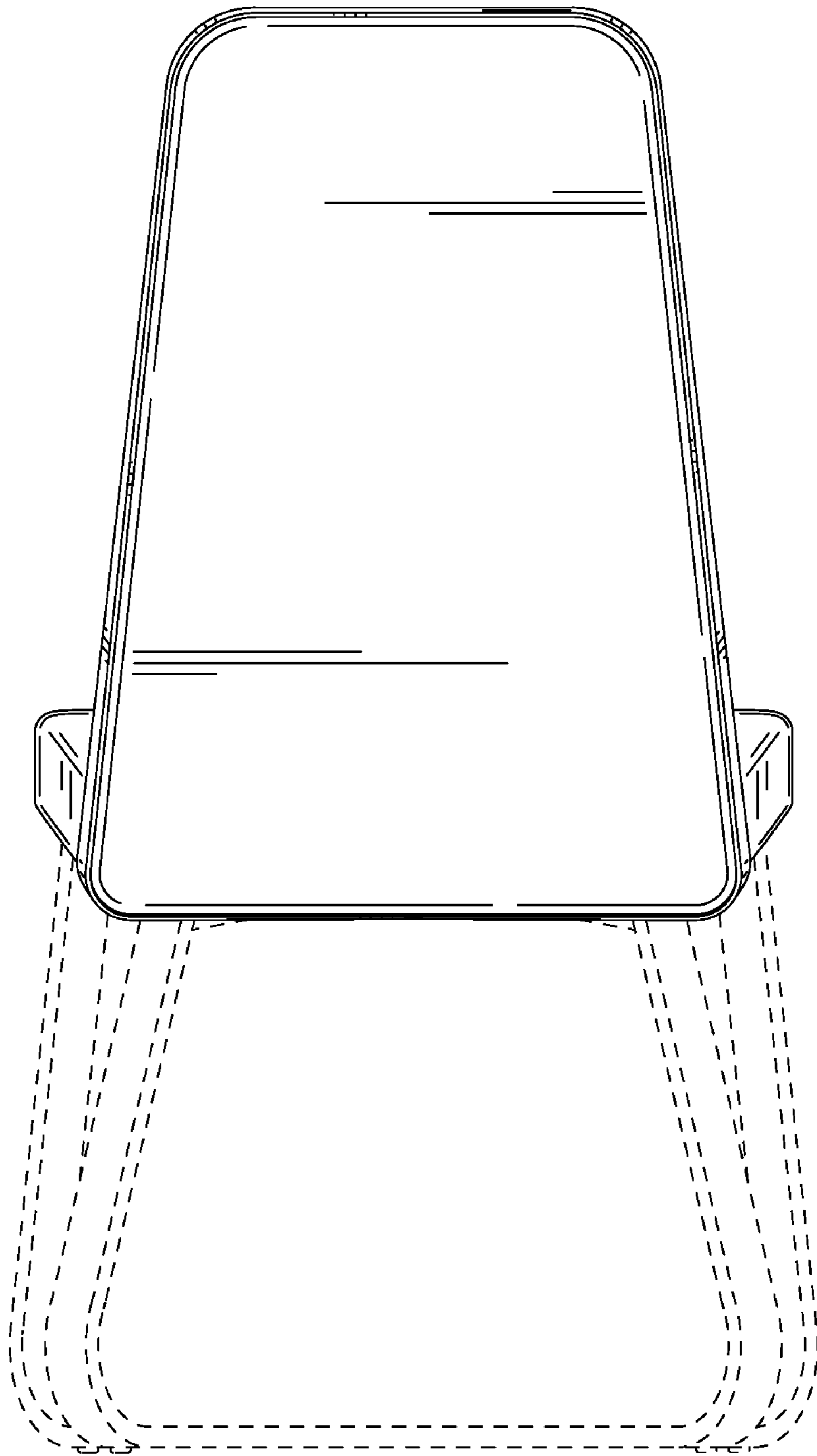
**FIG. 2**



**FIG. 3**

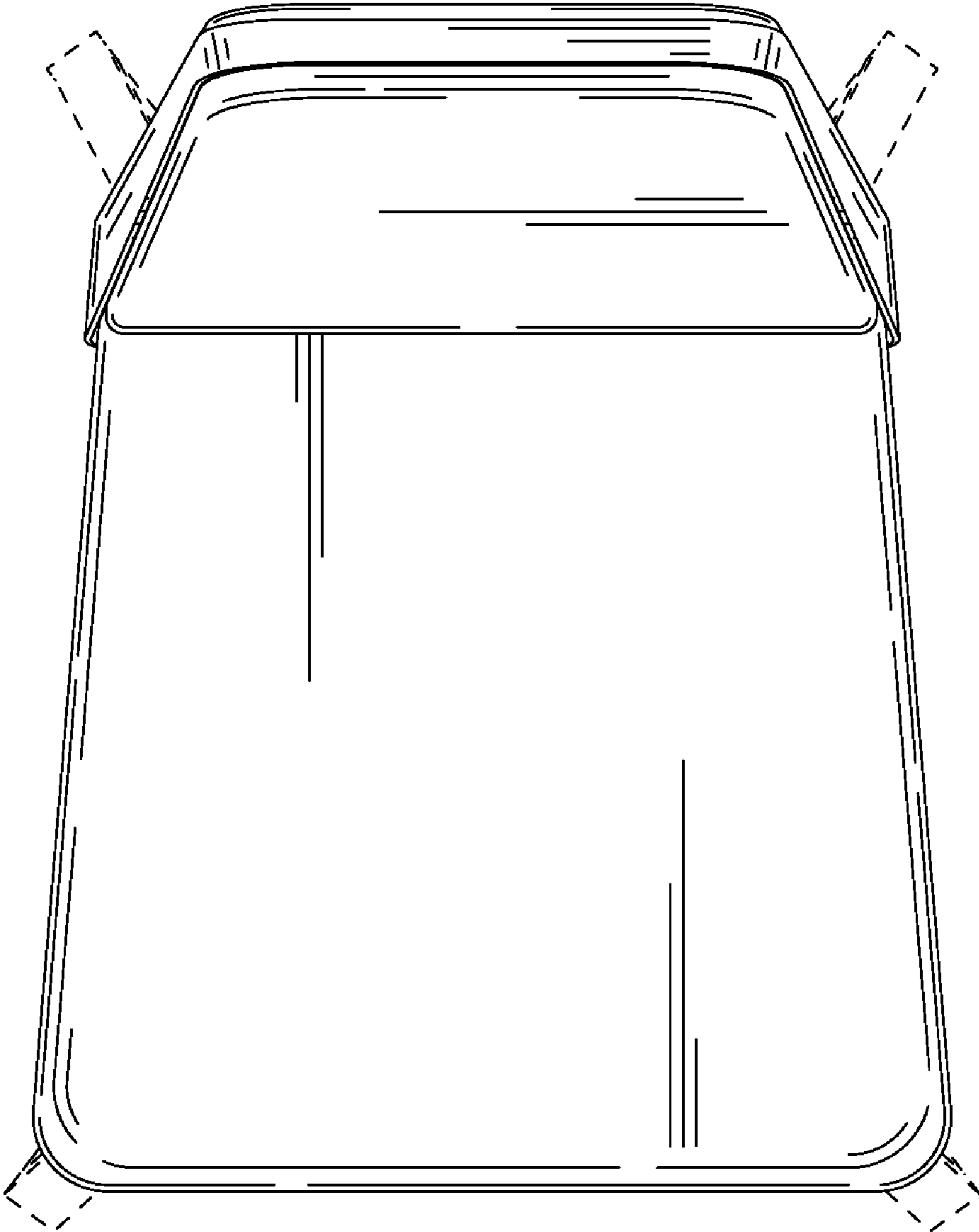


**FIG. 4**



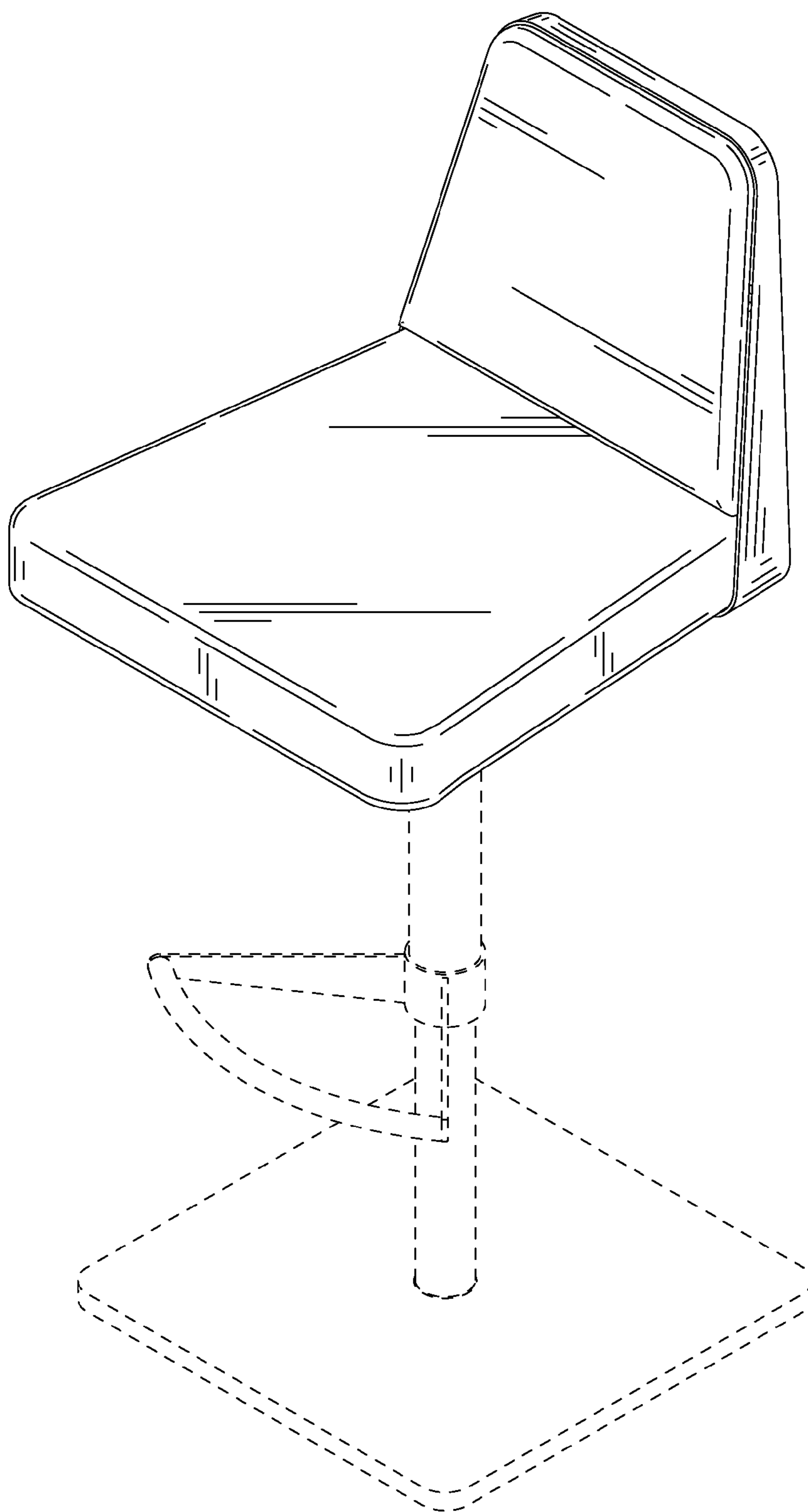
**FIG. 5**





**FIG. 6**





**FIG. 7**