



US00D637425S

(12) **United States Design Patent**  
**Muller**

(10) **Patent No.:** **US D637,425 S**

(45) **Date of Patent:** **\*\* May 10, 2011**

(54) **CHAIR BACKREST**

D609,035 S 2/2010 Muller  
D610,379 S 2/2010 Muller  
D610,844 S 3/2010 Muller

(75) Inventor: **Carl A. Muller**, Huntington Beach, CA  
(US)

(73) Assignee: **Elite Manufacturing Corporation**,  
Santa Fe Springs, CA (US)

(\*\*) Term: **14 Years**

(21) Appl. No.: **29/378,746**

(22) Filed: **Nov. 9, 2010**

(51) **LOC (9) Cl.** ..... **06-01**

(52) **U.S. Cl.** ..... **D6/502**

(58) **Field of Classification Search** ..... D6/334-336,  
D6/359-369, 372-375, 379-381, 498, 500-502;  
297/284.4, 411.27, 452.13, 452.19, 452.21,  
297/452.29, 452.3, 452.56, 452.64

See application file for complete search history.

(56) **References Cited**

**U.S. PATENT DOCUMENTS**

D149,652 S *	5/1948	Kipp .....	D6/372
D171,116 S *	12/1953	Adkinson .....	D6/374
D195,620 S *	7/1963	Chapman et al. ....	D6/374
D331,326 S *	12/1992	Bennett .....	D6/379
D340,360 S *	10/1993	Strugarevic et al. ....	D6/363
D416,407 S *	11/1999	Baumann et al. ....	D6/500
D472,080 S *	3/2003	Kita .....	D6/500
D474,348 S *	5/2003	Bosman et al. ....	D6/372
D487,983 S	4/2004	Muller	
D487,986 S	4/2004	Muller	
D488,632 S	4/2004	Muller	
D489,193 S	5/2004	Muller	
D489,911 S	5/2004	Muller	
D506,338 S *	6/2005	Gasser .....	D6/502
D520,768 S *	5/2006	Glass et al. ....	D6/374
D540,562 S	4/2007	Muller	
D544,227 S *	6/2007	Bartlmae .....	D6/374
D547,957 S	8/2007	Muller	
D573,816 S	7/2008	Muller	
D585,204 S *	1/2009	Wieland et al. ....	D6/366
D603,616 S *	11/2009	Kubryk .....	D6/374

**OTHER PUBLICATIONS**

Carl Muller, pending U.S. Appl. No. 29/378,749, filed Nov. 9, 2010  
entitled "Seat Frame."

Carl A. Muller, U.S. Appl. No. 29/375,326, filed Sep. 21, 2010,  
entitled "Table Base."

Carl A. Muller, U.S. Appl. No. 29/378,748, filed Nov. 9, 2010,  
entitled "Table Base."

Huntington Barstool, designed by Carl Muller, manufactured by Elite  
Manufacturing, California, May 2004.

Pinot Barstool, designed by Dario Antonioni, manufactured by Elite  
Manufacturing, California, 2002.

Lepper, Schmidt, Sommerlade Series 1600 Piazza Chair, manufac-  
tured by Kusch+Co, Germany, 1998.

Dining Chair, model 108, designed by Finn Juhl, 1946.

\* cited by examiner

*Primary Examiner* — Ricky Pham

(74) *Attorney, Agent, or Firm* — Heslin Rothenberg Farley  
& Mesiti P.C.

(57) **CLAIM**

The ornamental design for a chair backrest, as shown and  
described.

**DESCRIPTION**

FIG. 1 is an isometric view of a chair backrest in accordance  
with the new design;

FIG. 2 is a front elevational view thereof;

FIG. 3 is a right side elevational view thereof;

FIG. 4 is a left side elevational view thereof;

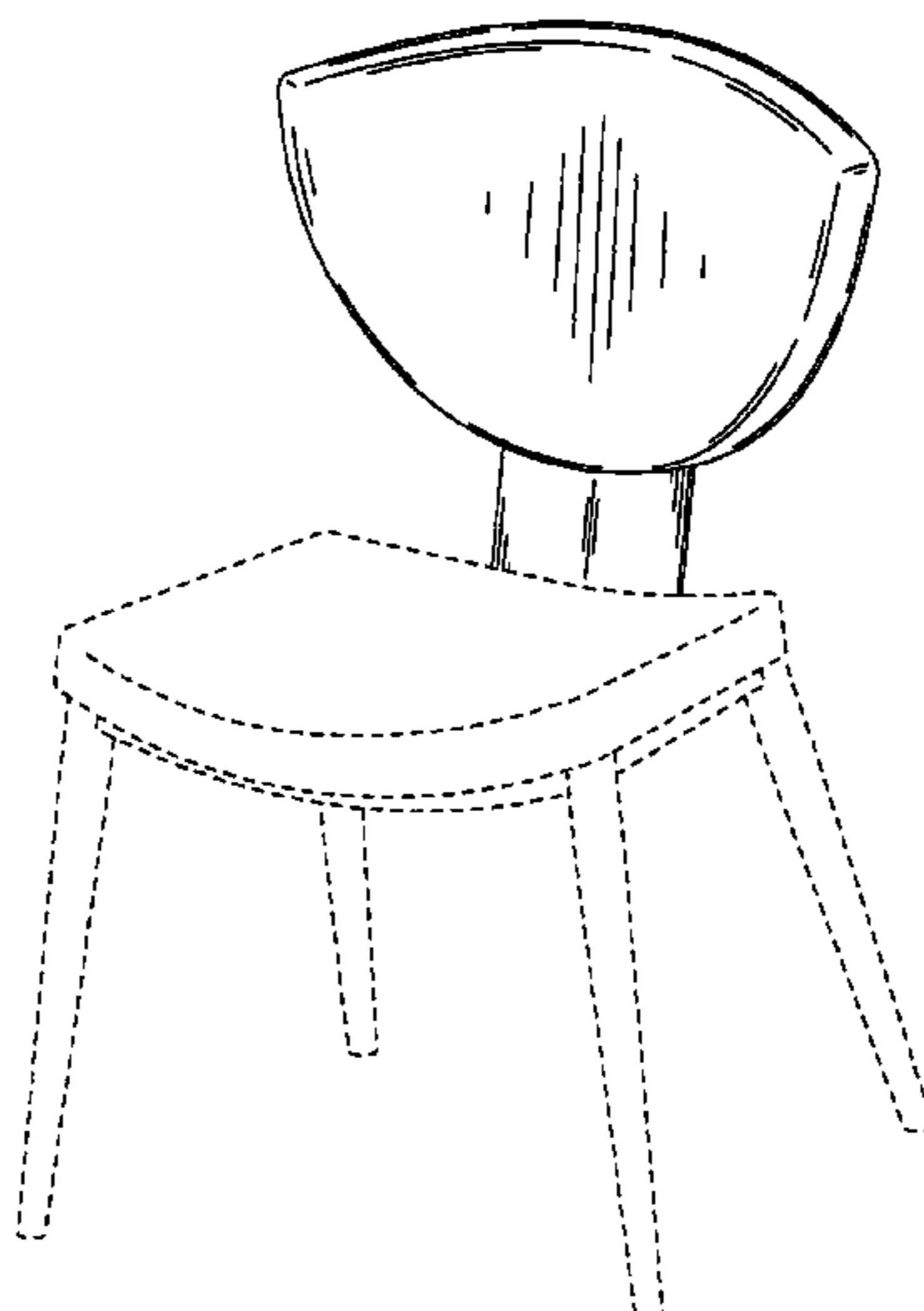
FIG. 5 is a rear elevational view thereof;

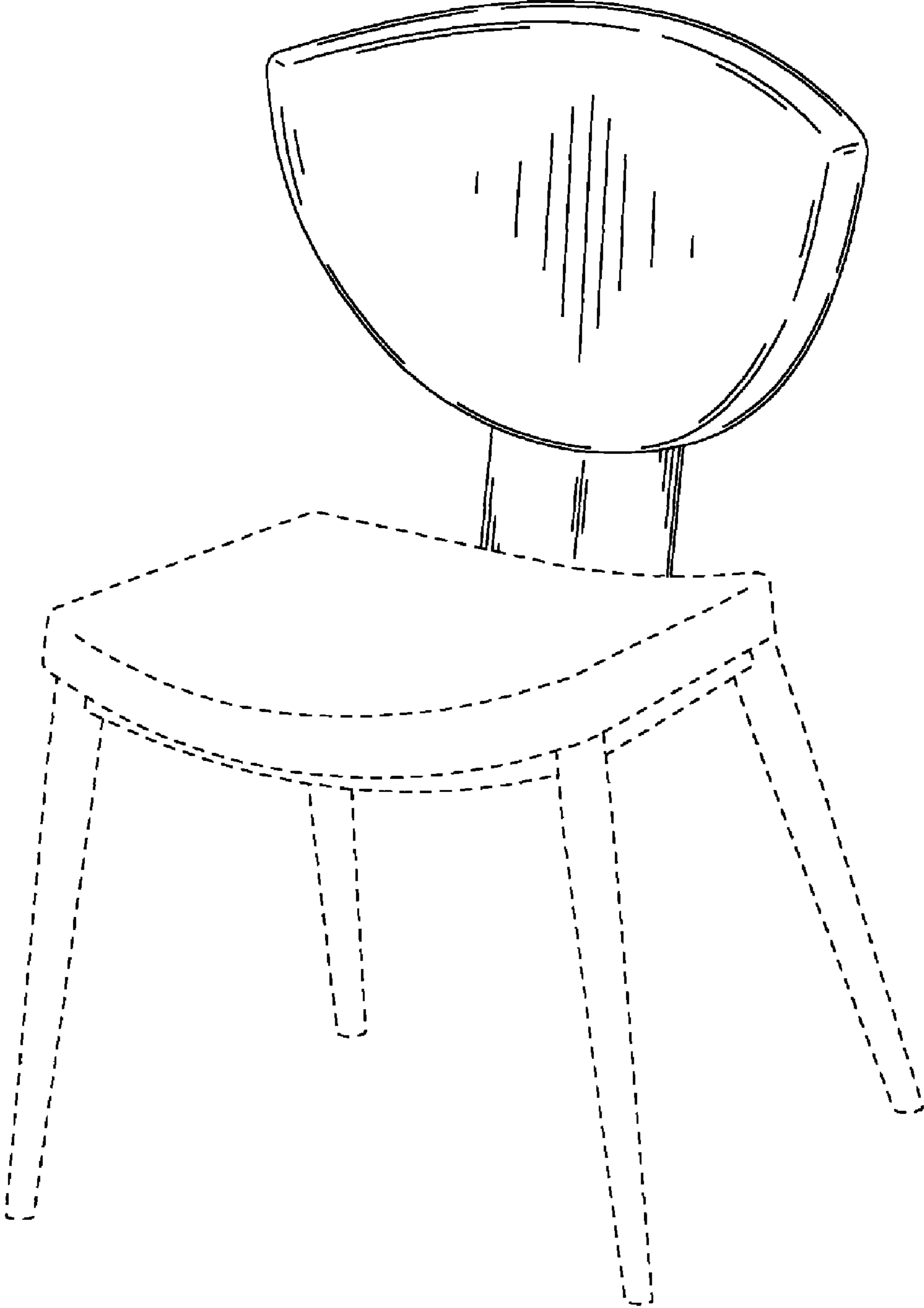
FIG. 6 is a top view thereof; and,

FIG. 7 is an isometric view of an alternative embodiment of  
the chair backrest configured as a barstool.

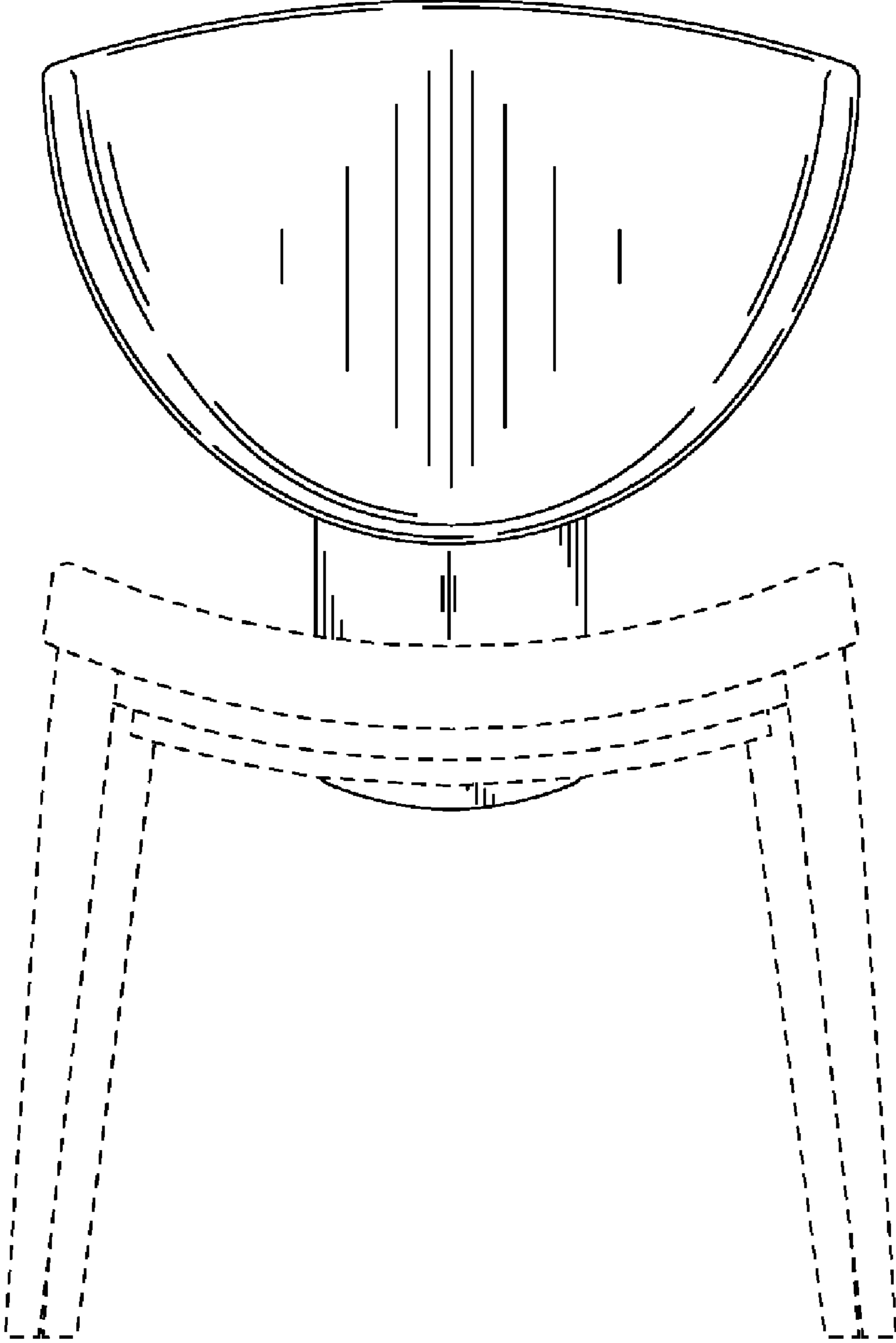
The broken lines in the figures are for illustrative purposes  
only and form no part of the claimed design.

**1 Claim, 7 Drawing Sheets**

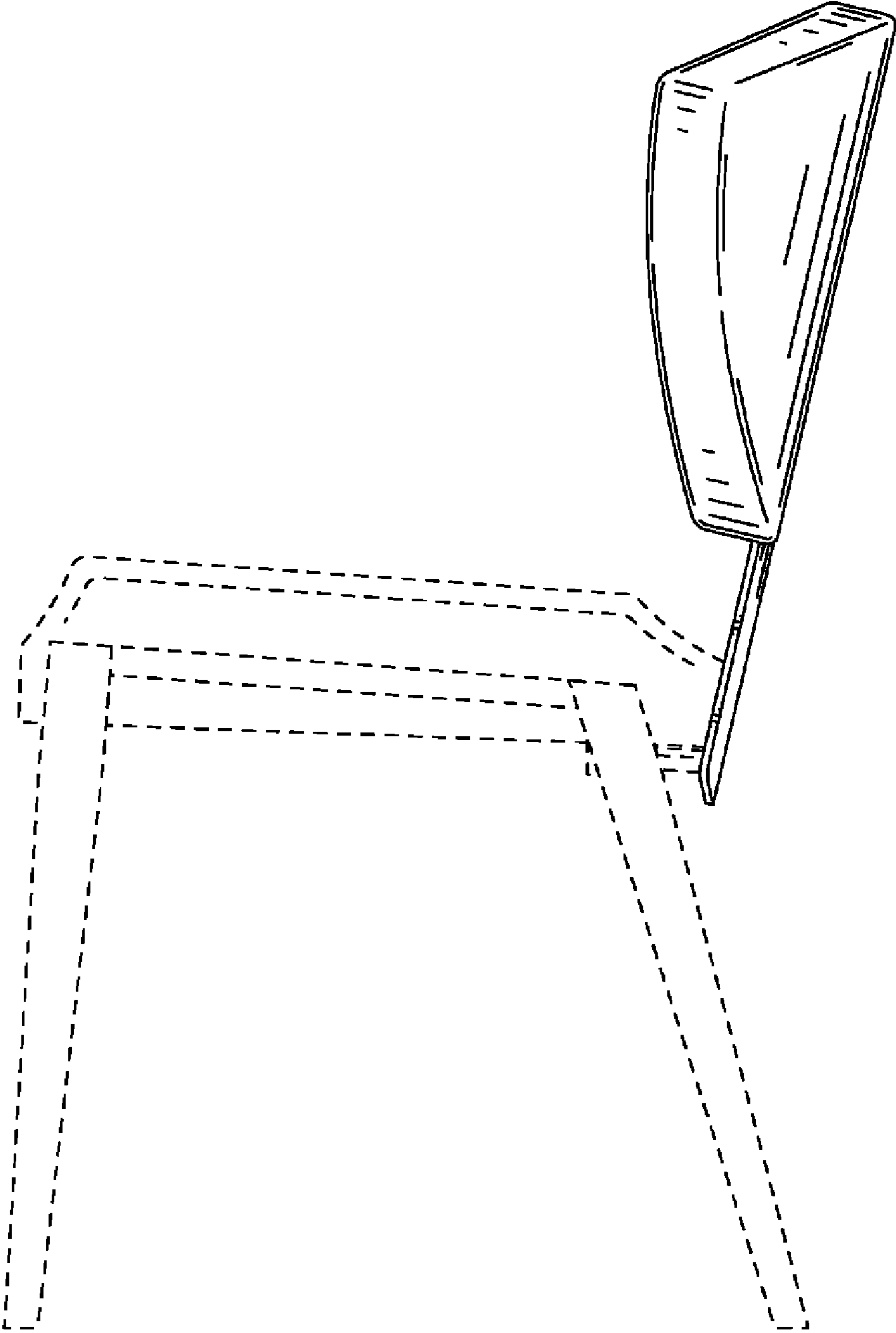




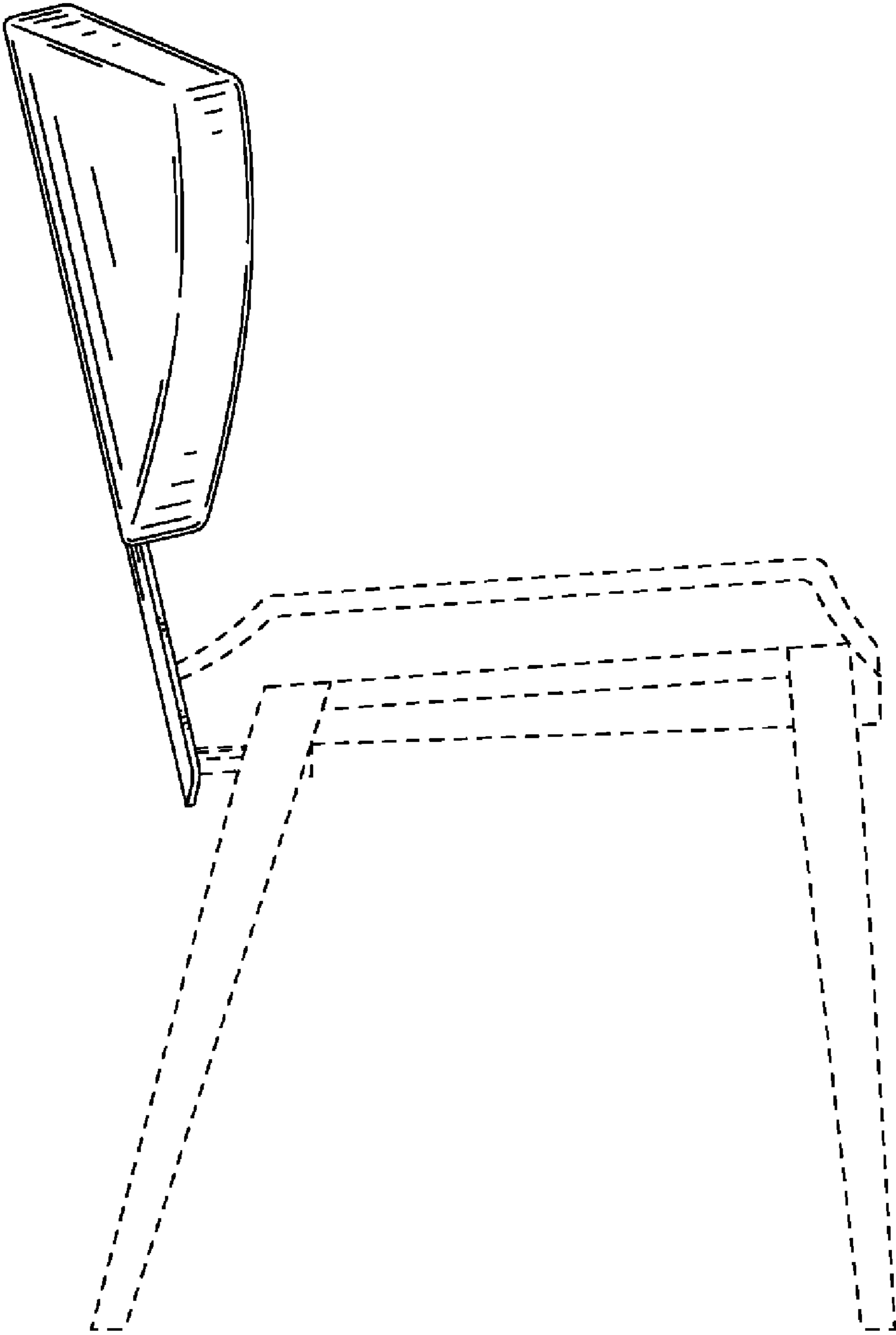
**FIG. 1**



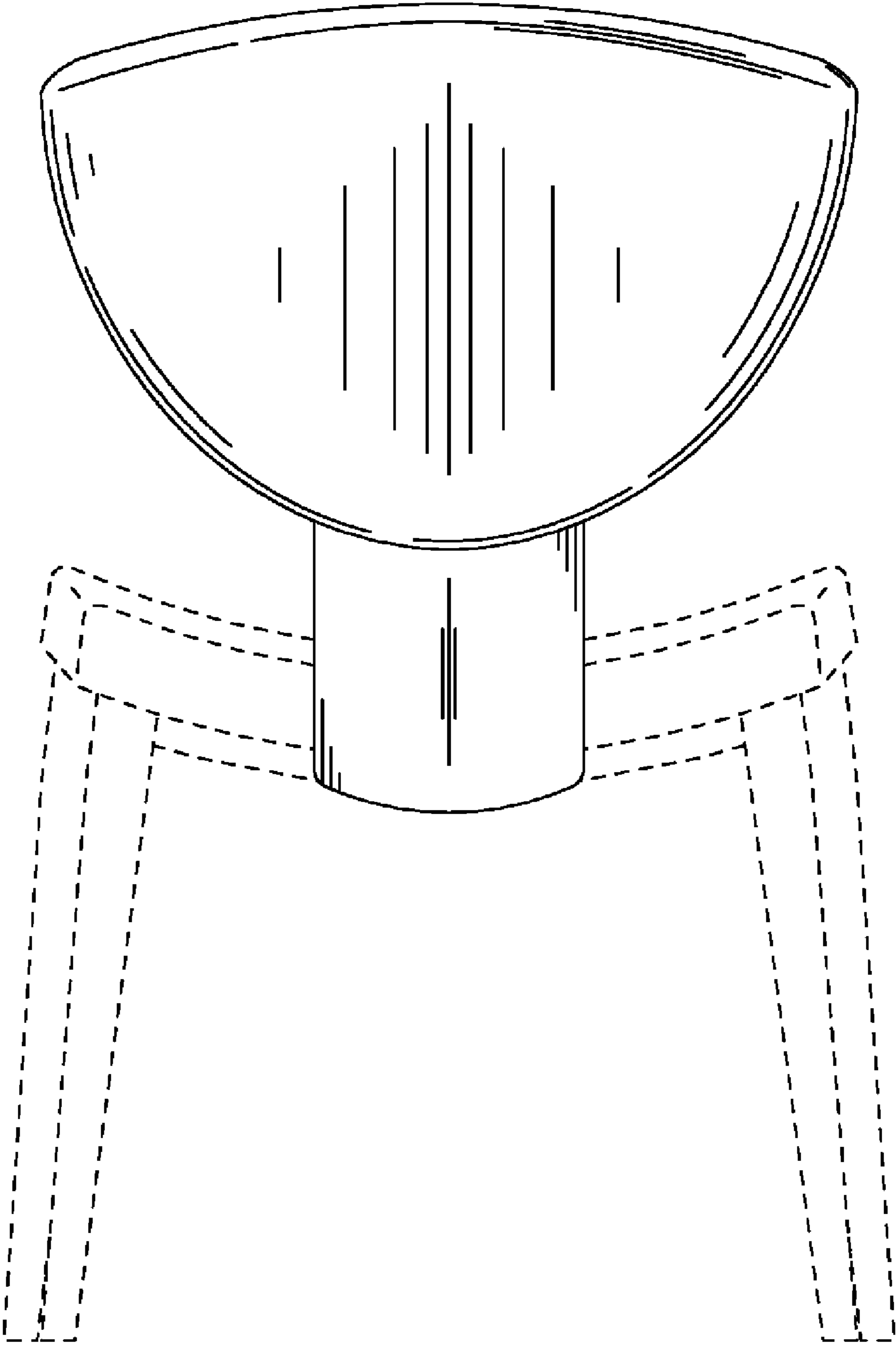
**FIG. 2**



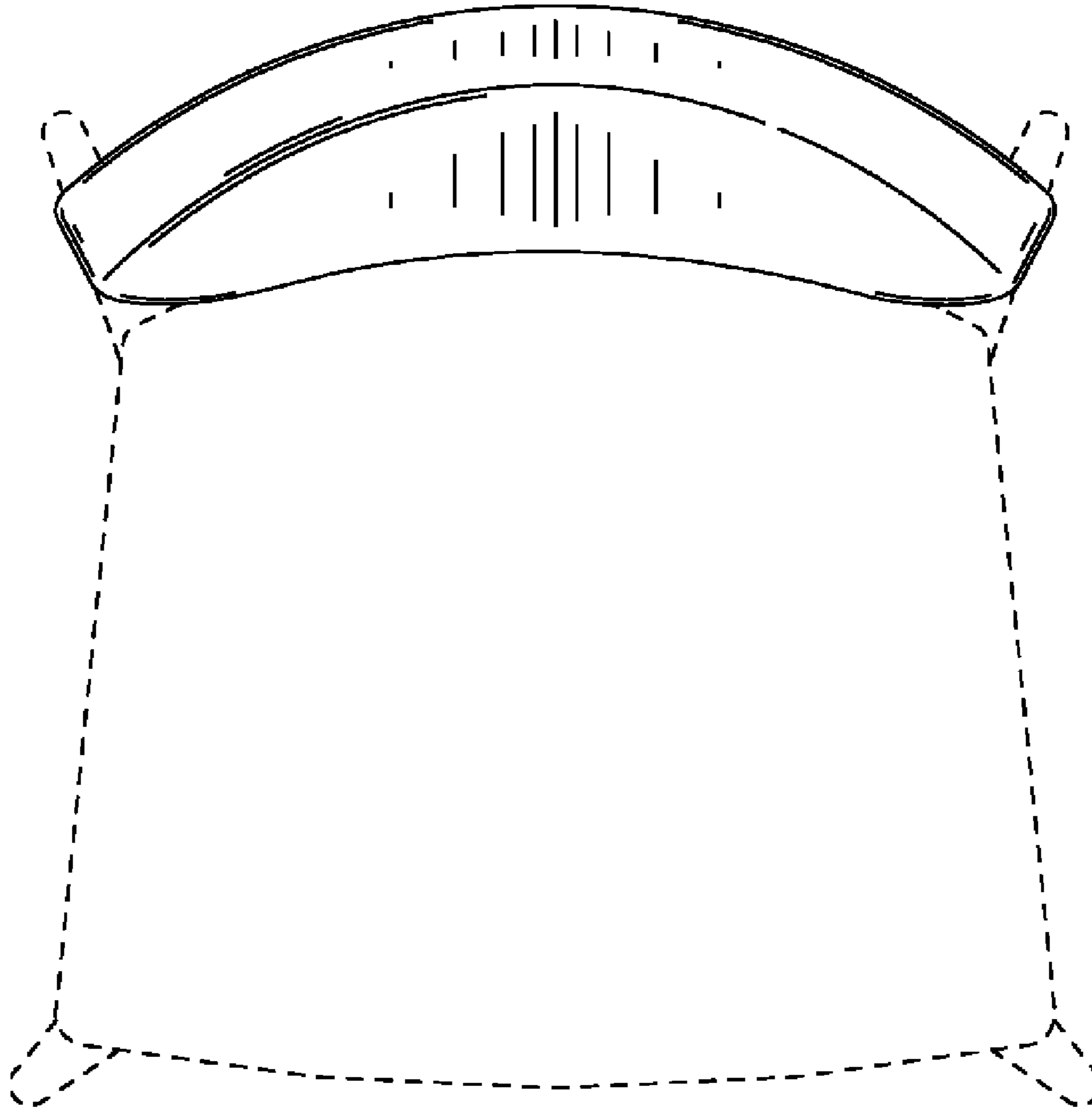
**FIG. 3**



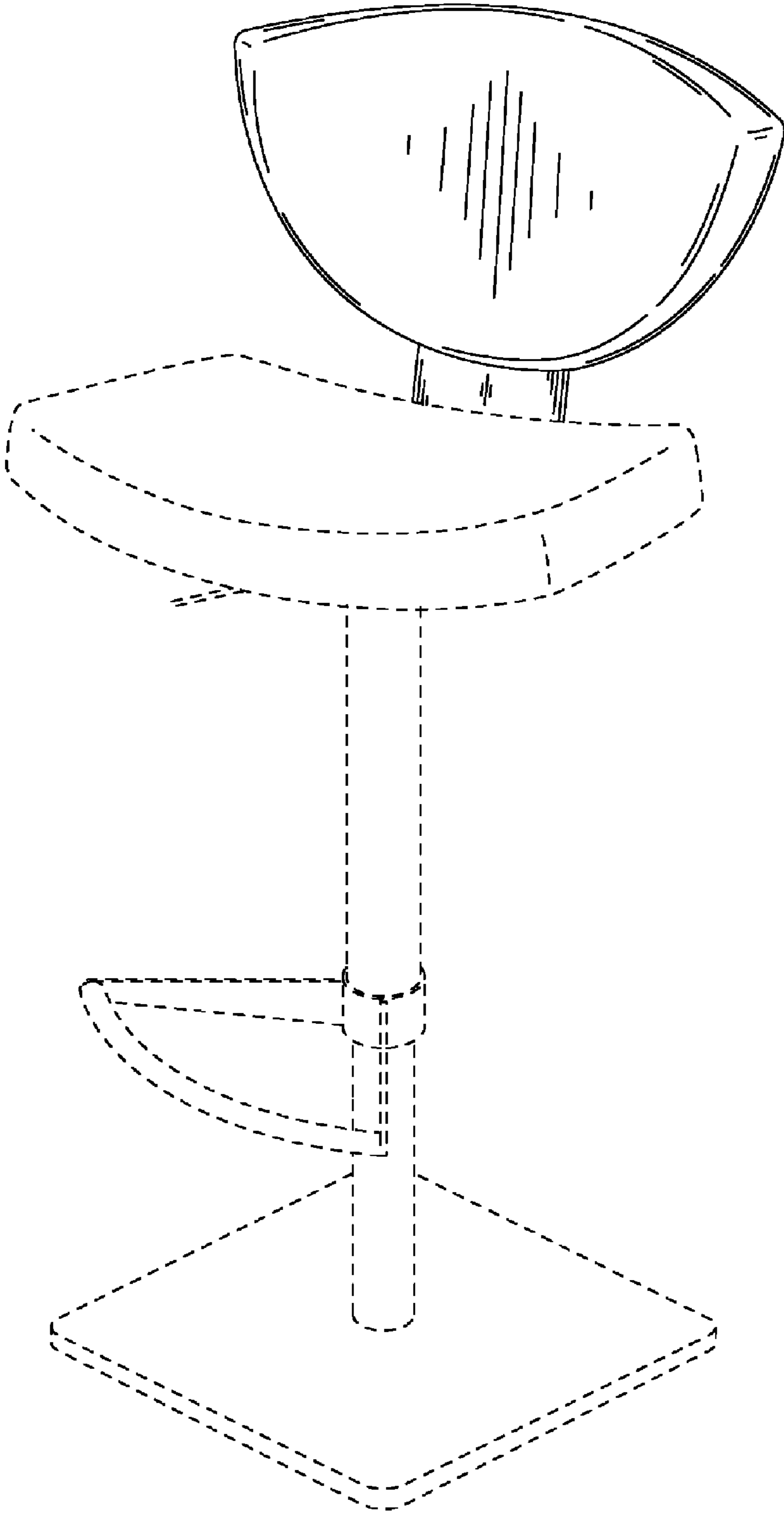
**FIG. 4**



**FIG. 5**



**FIG. 6**



**FIG. 7**