



US00D637424S

(12) **United States Design Patent**
Zell

(10) **Patent No.:** **US D637,424 S**

(45) **Date of Patent:** **** May 10, 2011**

(54) **DECORATIVE ANIMAL TAIL SEAT**

D254,023 S * 1/1980 Knight et al. D21/825
D282,872 S * 3/1986 Hayes et al. D24/161

(76) Inventor: **Susan Caveny Zell**, Sherman Oaks, CA
(US)

* cited by examiner

(**) Term: **14 Years**

Primary Examiner — Sandra Snapp

(21) Appl. No.: **29/310,047**

(57) **CLAIM**

The ornamental design for a decorative animal tail seat, as shown and described.

(22) Filed: **Jul. 24, 2008**

DESCRIPTION

(51) **LOC (9) Cl.** **06-01**

(52) **U.S. Cl.** **D6/502**

(58) **Field of Classification Search** D6/334,
D6/336, 338, 349, 352, 363, 374, 375, 380,
D6/381, 491, 492, 500–502, 351, 358, 359;
297/175, 411.2, 445.1, 446.1, 446.2, 447.1,
297/447.2, 448.1, 451.2, 452.11, 452.29,
297/461, 462; 5/12.1, 12.2

See application file for complete search history.

FIG. 1 is a perspective view of a decorative animal tail seat showing my new design;

FIG. 2 is a front elevation view of the decorative animal tail seat;

FIG. 3 is a side elevation view of the decorative animal tail seat;

FIG. 4 is a perspective view of a second embodiment of the decorative animal tail seat;

FIG. 5 is a front elevation view of the second embodiment of the decorative animal tail seat; and,

FIG. 6 is a side elevation view of the second embodiment of the decorative animal tail seat.

The broken lines showing the legs of the seat and the cross braces between the legs are for illustrative purposes only and form no part of the claimed design.

An animal tail is attached to the bottom of a seat and hangs down therefrom.

(56) **References Cited**

U.S. PATENT DOCUMENTS

D54,764 S *	3/1920	Oppenheim	D6/354
D81,524 S *	7/1930	Conboy	D6/359
D81,525 S *	7/1930	Conboy	D6/359
D139,730 S *	12/1944	Mathisson	D6/340
2,371,384 A *	3/1945	Dyer, Jr.	472/120
D218,817 S *	9/1970	Schildknacht	D6/351
D254,022 S *	1/1980	Knight et al.	D21/825

1 Claim, 2 Drawing Sheets

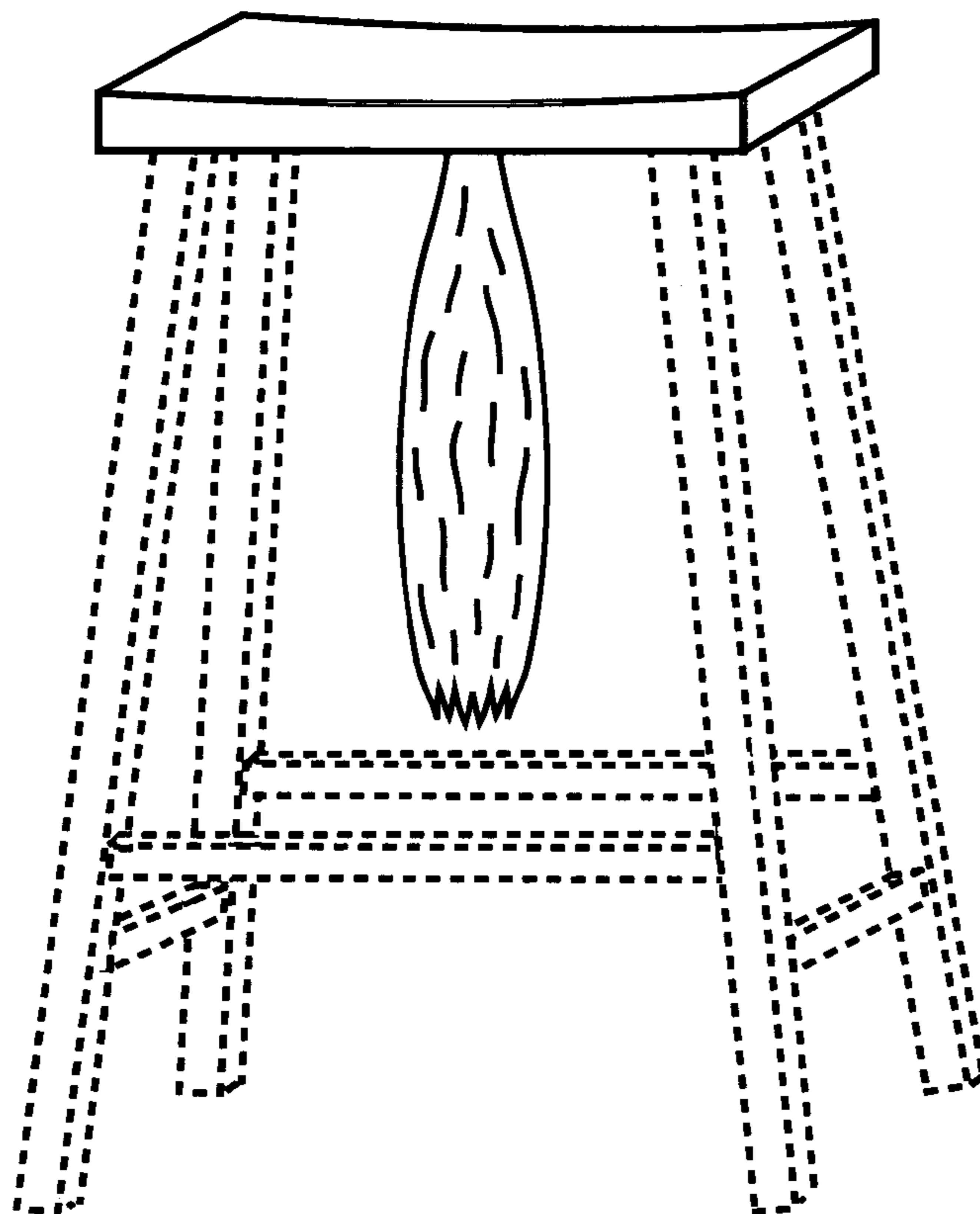


Fig. 1

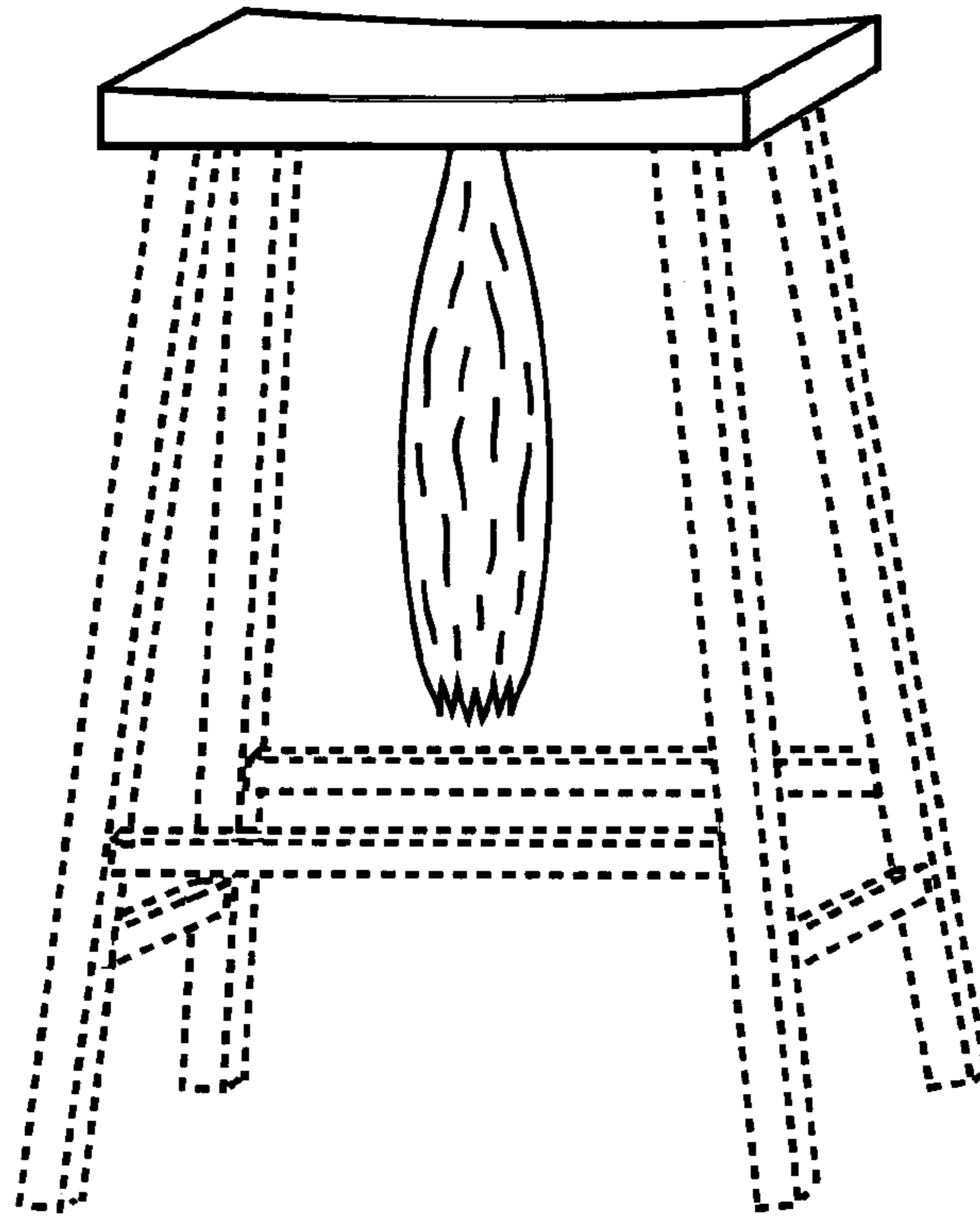


Fig. 2

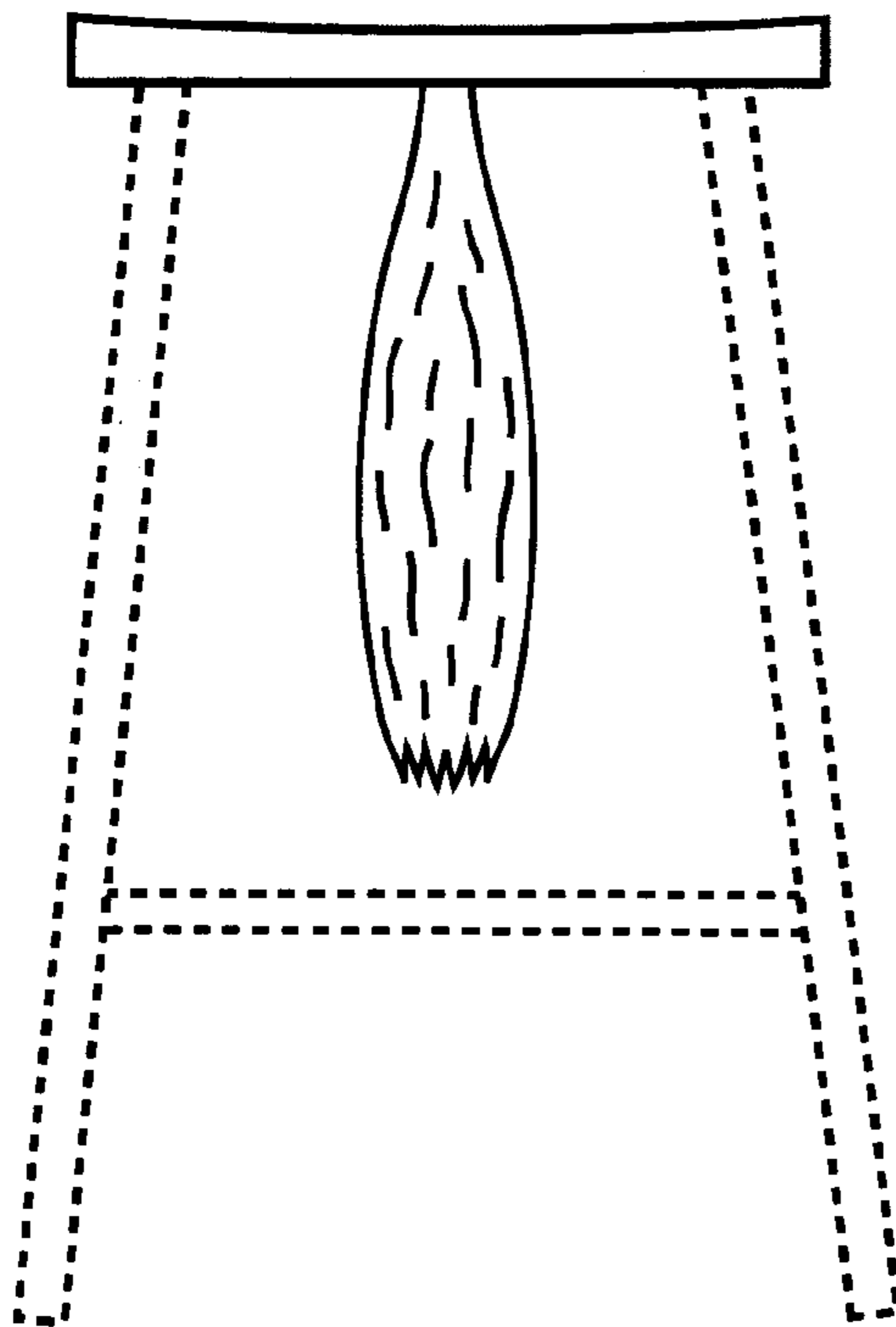


Fig. 3

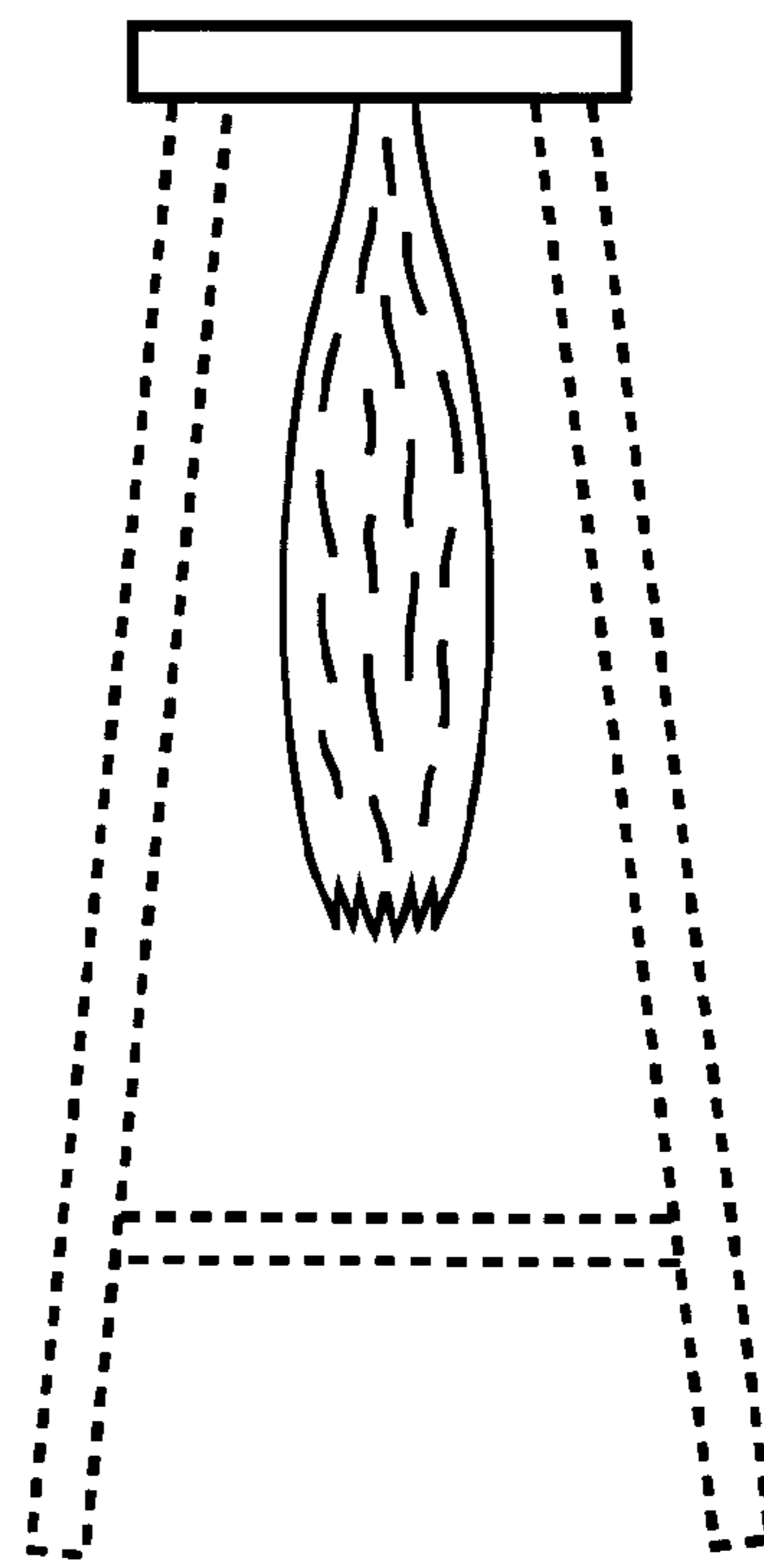


Fig.4

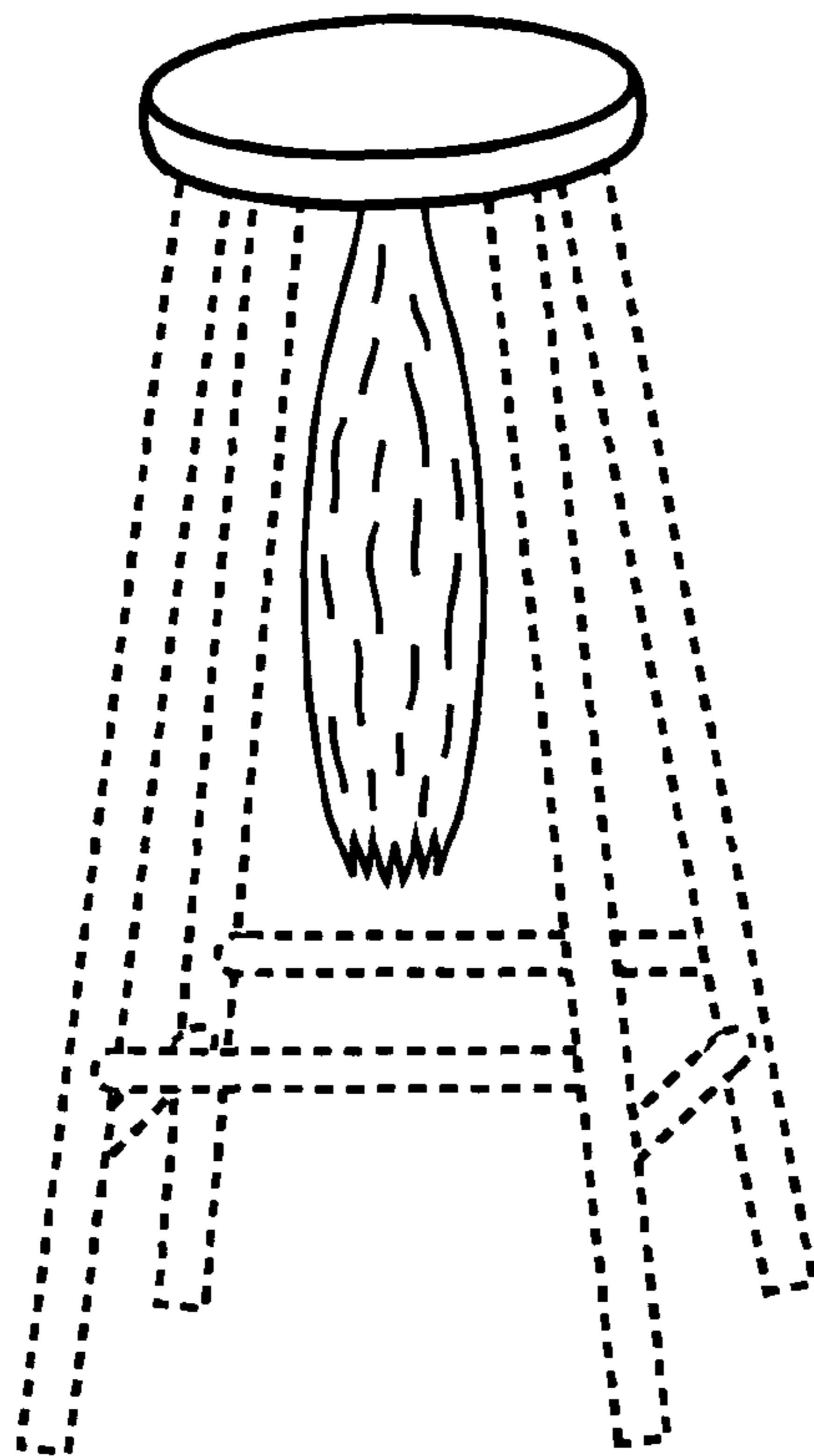


Fig.5

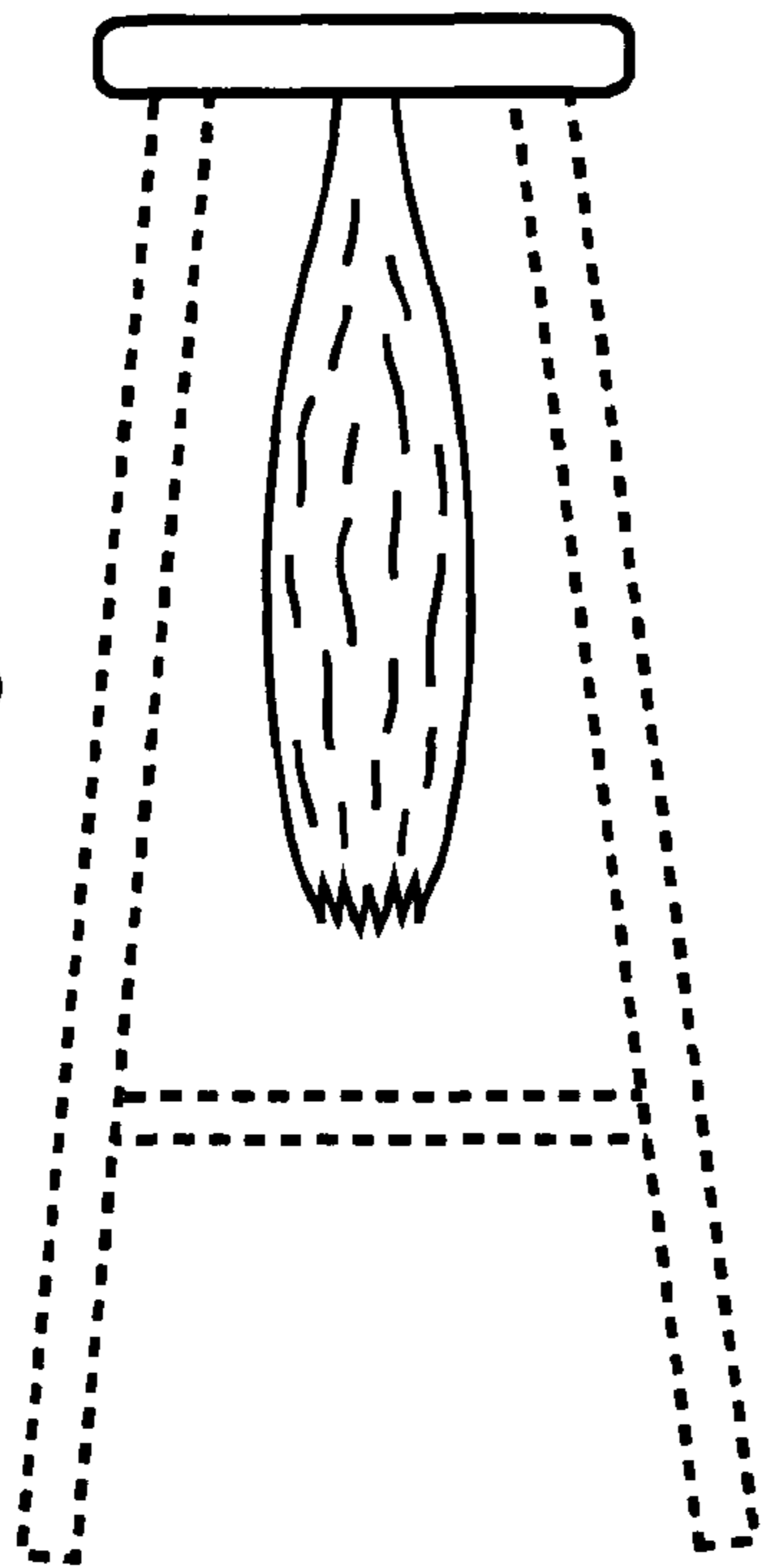


Fig.6

