



US00D637423S

(12) **United States Design Patent**
Behar et al.

(10) **Patent No.:** **US D637,423 S**

(45) **Date of Patent:** **** May 10, 2011**

(54) **CHAIR**

(75) Inventors: **Yves Behar**, San Francisco, CA (US);
Bret Recor, San Francisco, CA (US);
Qin Li, South San Francisco, CA (US);
Naoya Edahiro, San Francisco, CA (US)

D201,355 S 6/1965 Cavelli
3,198,578 A 8/1965 Geoffrey et al.
3,241,879 A 3/1966 Castello et al.
3,446,530 A 5/1969 Rowland
3,608,960 A 9/1971 Sherman

(Continued)

FOREIGN PATENT DOCUMENTS

(73) Assignee: **Herman Miller, Inc.**, Zeeland, MI (US)

CA 1315186 3/1993

(Continued)

(**) Term: **14 Years**

OTHER PUBLICATIONS

(21) Appl. No.: **29/359,634**

Search Report from Great Britain Application No. GB 0414694.0, dated Sep. 1, 2005, 1 page.

(22) Filed: **Apr. 13, 2010**

(Continued)

(51) **LOC (9) Cl.** **06-01**

(52) **U.S. Cl.** **D6/500; D6/366**

(58) **Field of Classification Search** D6/334-336,
D6/360-369, 373-374, 379-380, 498, 500-502,
D6/601; 297/284.4-284.5, 291, 297, 411.2,
297/411.27-411.29, 452.13, 452.19, 452.21,
297/452.29, 452.3, 452.56, 452.64

Primary Examiner — Ricky Pham

(74) *Attorney, Agent, or Firm* — Brinks Hofer Gilson & Lione

See application file for complete search history.

(57) **CLAIM**

The ornamental design for a chair, as shown and described.

(56) **References Cited**

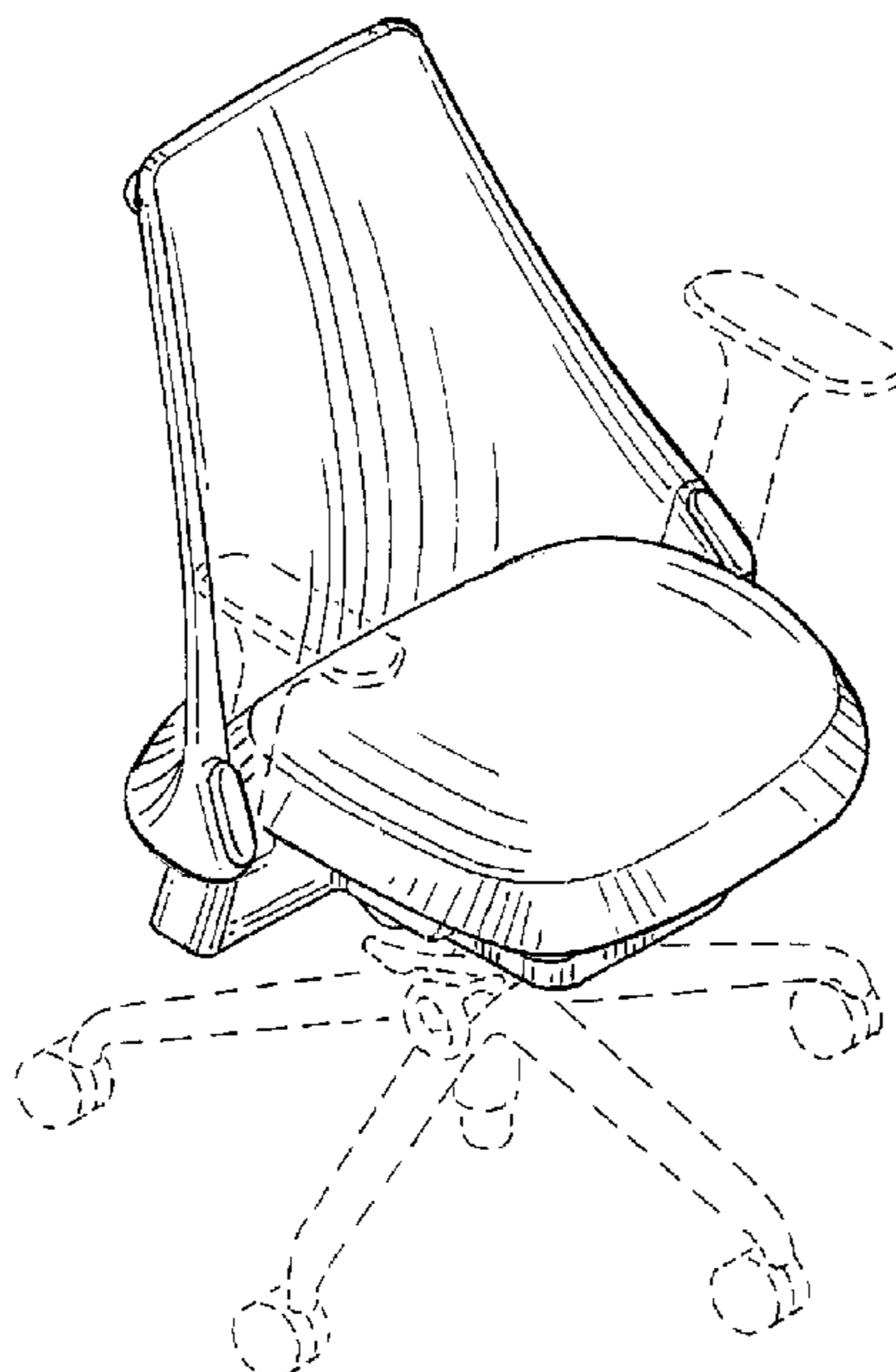
DESCRIPTION

U.S. PATENT DOCUMENTS

2,549,902 A 4/1951 Hibbard et al.
2,558,171 A 6/1951 Chesley
2,745,468 A 5/1956 Kramer
2,756,809 A 7/1956 Endresen
2,843,195 A 7/1958 Barvaeus
2,894,565 A 7/1959 Conner
2,931,427 A 4/1960 Goldstein
2,952,300 A 9/1960 Cohen
3,006,688 A 10/1961 Ouellette
3,014,762 A 12/1961 Mauser
3,059,919 A 10/1962 Marchino
3,095,236 A 6/1963 Klassen
3,111,344 A 11/1963 Hoven et al.
3,138,404 A 6/1964 Newton

FIG. 1 is a perspective view of a chair;
FIG. 2 is a left side view of the chair shown in FIG. 1;
FIG. 3 is a right side view of the chair shown in FIG. 1;
FIG. 4 is a front view of the chair shown in FIG. 1;
FIG. 5 is a rear view of the chair shown in FIG. 1;
FIG. 6 is a top view of the chair shown in FIG. 1; and
FIG. 7 is a bottom view of the chair shown in FIG. 1.
The broken lines showing the base, armrests, and controls for the chair in FIGS. 1-7 are for environmental purposes only and do not form any part of the claimed design.

1 Claim, 4 Drawing Sheets



US D637,423 S

U.S. PATENT DOCUMENTS					
3,708,202	A	1/1973 Barecki et al.	5,439,268	A	8/1995 Dozsa-Farkas
3,720,568	A	3/1973 Rowland	5,460,427	A	10/1995 Serber
3,762,769	A	10/1973 Poschl	5,478,137	A	12/1995 Olson et al.
3,767,261	A	10/1973 Rowland	5,484,187	A	1/1996 Doerner et al.
3,814,474	A	6/1974 Baker et al.	5,486,035	A	1/1996 Koepke et al.
3,938,858	A	2/1976 Drabert et al.	5,487,591	A	1/1996 Knoblock
3,982,785	A	9/1976 Ambasz	5,501,507	A	3/1996 Hummitzsch
4,002,369	A	1/1977 Jennings	D368,818	S	4/1996 Adat
4,118,069	A	10/1978 Hunter	5,518,294	A	5/1996 Ligon, Sr. et al.
4,153,293	A	5/1979 Sheldon	5,553,917	A	9/1996 Adat et al.
4,240,663	A	12/1980 Locher	5,567,010	A	10/1996 Sparks
4,298,227	A	11/1981 Berthier et al.	5,582,459	A	12/1996 Hama
4,300,362	A	11/1981 Lande et al.	5,590,067	A	12/1996 Jones et al.
4,313,637	A	2/1982 Barley	5,590,934	A	1/1997 Gibbs
4,318,570	A	3/1982 Adam et al.	5,597,203	A	1/1997 Hubbard
4,350,388	A	9/1982 Weiner	5,599,067	A	2/1997 Schuelke et al.
4,368,917	A	1/1983 Urai	5,599,068	A	2/1997 Kelly et al.
4,390,210	A	6/1983 Wisniewski et al.	5,624,158	A	4/1997 Adat et al.
D270,020	S *	8/1983 Drabert D6/366	5,626,394	A	5/1997 Perry
4,418,958	A	12/1983 Watkin	5,630,643	A	5/1997 Scholten et al.
D273,728	S	5/1984 Cafiero	5,630,647	A	5/1997 Heidmann et al.
4,452,485	A	6/1984 Schuster	5,641,203	A	6/1997 Van De Riet et al.
4,502,728	A	3/1985 Sheldon et al.	5,647,638	A	7/1997 Ritt et al.
4,502,729	A	3/1985 Locher	5,651,586	A	7/1997 Groth
4,529,247	A	7/1985 Stumpf	5,655,814	A	8/1997 Gibbs
4,541,670	A	9/1985 Morgenstern et al.	5,662,381	A	9/1997 Roossien et al.
D281,210	S *	11/1985 Roberts D6/502	5,664,841	A	9/1997 Dal Monte
4,556,254	A	12/1985 Roberts	5,667,277	A	9/1997 Van De Riet
4,570,994	A	2/1986 Lowrey	5,683,142	A	11/1997 Gunderson et al.
4,575,152	A	3/1986 McLaughin, Sr.	5,685,606	A	11/1997 Lance
4,576,351	A	3/1986 Brink	5,695,096	A	12/1997 Yquel
4,597,606	A	7/1986 Magee	5,704,689	A	1/1998 Kim
4,601,514	A	7/1986 Meiller	D390,712	S	2/1998 Koepke et al.
4,632,454	A	12/1986 Naert	D391,089	S *	2/1998 Chu D6/366
4,634,178	A	1/1987 Carney	5,718,474	A	2/1998 Kojima et al.
4,641,885	A	2/1987 Brauning	5,718,476	A	2/1998 De Pascal et al.
4,648,653	A	3/1987 Rowland	5,725,276	A	3/1998 Ginat
4,695,096	A	9/1987 Kincaid	5,746,479	A	5/1998 Bodnar
4,718,724	A	1/1988 Quinton	5,749,628	A	5/1998 Synder et al.
4,722,569	A	2/1988 Morgenstern et al.	5,752,741	A	5/1998 Bort
4,730,871	A	3/1988 Sheldon	D394,961	S *	6/1998 Fancelli D6/366
4,799,732	A	1/1989 Yamzaki	5,758,925	A	6/1998 Schrewe
4,810,033	A	3/1989 Kemmann	D396,155	S *	7/1998 Shamir D6/502
4,900,085	A	2/1990 Tobler	5,782,536	A	7/1998 Heidmann et al.
4,909,568	A	3/1990 Dal Monte	5,791,733	A	8/1998 Van Hekken et al.
4,915,448	A	4/1990 Morgenstern	5,795,026	A	8/1998 Dral et al.
4,961,610	A	10/1990 Reeder et al.	5,797,652	A	8/1998 Darbyshire
4,968,093	A	11/1990 Dal Monte	5,848,823	A	12/1998 Su
4,981,325	A	1/1991 Zacharkow	5,853,223	A	12/1998 Ritt et al.
4,993,164	A	2/1991 Jacobsen	5,860,700	A	1/1999 Lance
5,009,467	A	4/1991 McCoy	5,863,095	A	1/1999 Rivard
5,018,786	A	5/1991 Goldstein et al.	5,868,466	A	2/1999 Massara et al.
5,026,116	A	6/1991 Dal Monte	5,871,256	A	2/1999 Kogai
5,076,643	A	12/1991 Colasanti	5,871,258	A	2/1999 Battey
5,102,196	A	4/1992 Kaneda	5,876,097	A	3/1999 Cao
5,106,161	A	4/1992 Meiller	D407,911	S	4/1999 Bräuning
5,112,106	A	5/1992 Asbjornsen	5,895,095	A	4/1999 Chen
5,143,422	A	9/1992 Althofer et al.	5,904,400	A	5/1999 Wei
5,195,804	A	3/1993 Stolle	5,909,923	A	6/1999 DeKraker
5,197,780	A	3/1993 Coughlin	5,913,569	A	6/1999 Klingler
5,217,278	A	6/1993 Harrison	5,927,811	A	7/1999 Tseng
5,228,747	A	7/1993 Greene	5,934,758	A	8/1999 Ritch et al.
5,249,839	A	10/1993 Faiks	5,944,382	A	8/1999 Ambasz
5,277,475	A	1/1994 Brandes	5,944,386	A	8/1999 Yamagishi et al.
5,288,138	A	2/1994 Stulik	D414,349	S	9/1999 Jenkins et al.
D345,060	S	3/1994 Duncan	5,961,184	A	10/1999 Balderi et al.
D346,279	S	4/1994 Stumpf et al.	5,975,632	A	11/1999 Ginat
5,314,235	A *	5/1994 Johnson 297/284.5	5,984,408	A	11/1999 Bujaryn
5,314,240	A	5/1994 Ishi	5,988,746	A	11/1999 Raftery
5,318,346	A	6/1994 Roossien	D417,792	S	12/1999 Hansen et al.
D350,033	S *	8/1994 Beaulieu D6/366	6,003,948	A	12/1999 Holbrook
5,344,211	A	9/1994 Adat et al.	D418,316	S	1/2000 Vogtherr
5,368,365	A	11/1994 Feldberg	6,017,091	A	1/2000 Cao
D355,534	S	2/1995 Saotome	6,027,169	A	2/2000 Roslund, Jr.
5,393,124	A	2/1995 Neil	6,030,041	A	2/2000 Hsiao
5,393,125	A	2/1995 Watson et al.	D423,259	S	4/2000 Grove
D358,515	S	5/1995 Adat	6,053,578	A	4/2000 Van Hekken et al.
5,415,459	A	5/1995 Schultz	6,053,579	A	4/2000 Nelson et al.
			D424,824	S	5/2000 Chu

JP	08-004544	A	1/1996
JP	10-179314	A	7/1998
WO	WO 89/09557	A1	10/1989
WO	WO 92/20262	A1	11/1992
WO	WO 93/25121	A1	12/1993
WO	WO 95/34233	A1	12/1995
WO	WO 98/48668	A1	11/1998
WO	WO 00/22961	A1	4/2000
WO	WO 00/74531	A2	12/2000
WO	WO 01/43685	A1	6/2001
WO	WO 2007/099376	A2	9/2007
WO	WO 2008/103674	A1	8/2008

OTHER PUBLICATIONS

Resultat(s) brochure, "Notice complete," INPI, dated 2009, 22 pages.
Resultat(s) brochure, "Notice com-lete," INPI, dated 2009, 4 pages.
Arbitare brochure, dated Apr. 1997, 4 pages.
Arbitare brochure, "Mobile & Misure 88," dated Sep. 1988, 3 pages.
Arbitare brochure, "Mini Spazi," dated Oct. 1988, 3 pages.
Md brochure, "moebel interior design," dated Jan. 1, 1996, 3 pages.
Md brochure, dated May 5, 1998, 3 pages.
Shitsunai brochure, "No. 500," dated 1996, 2 pages.

* cited by examiner

FIG. 1

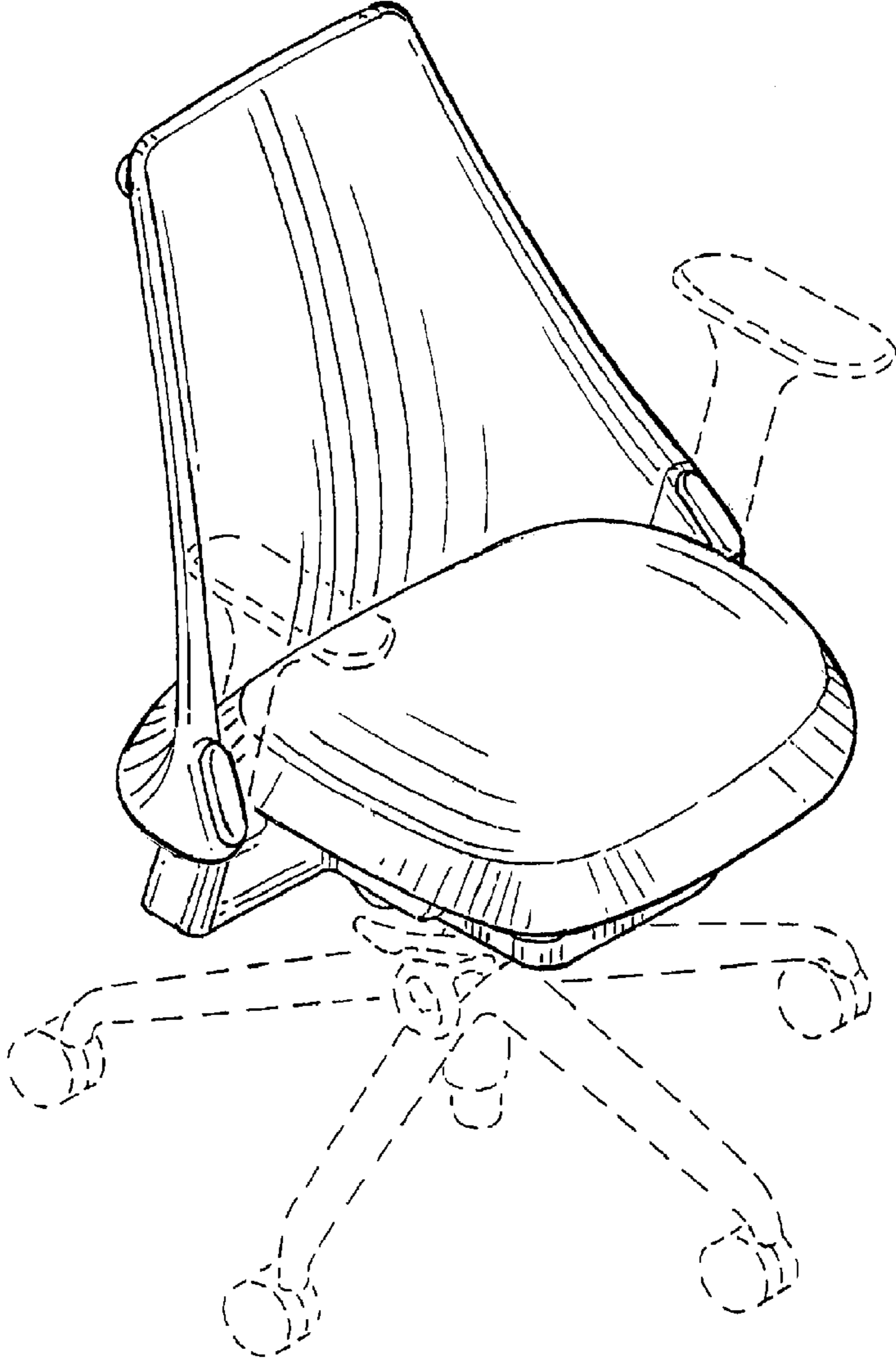


FIG. 3

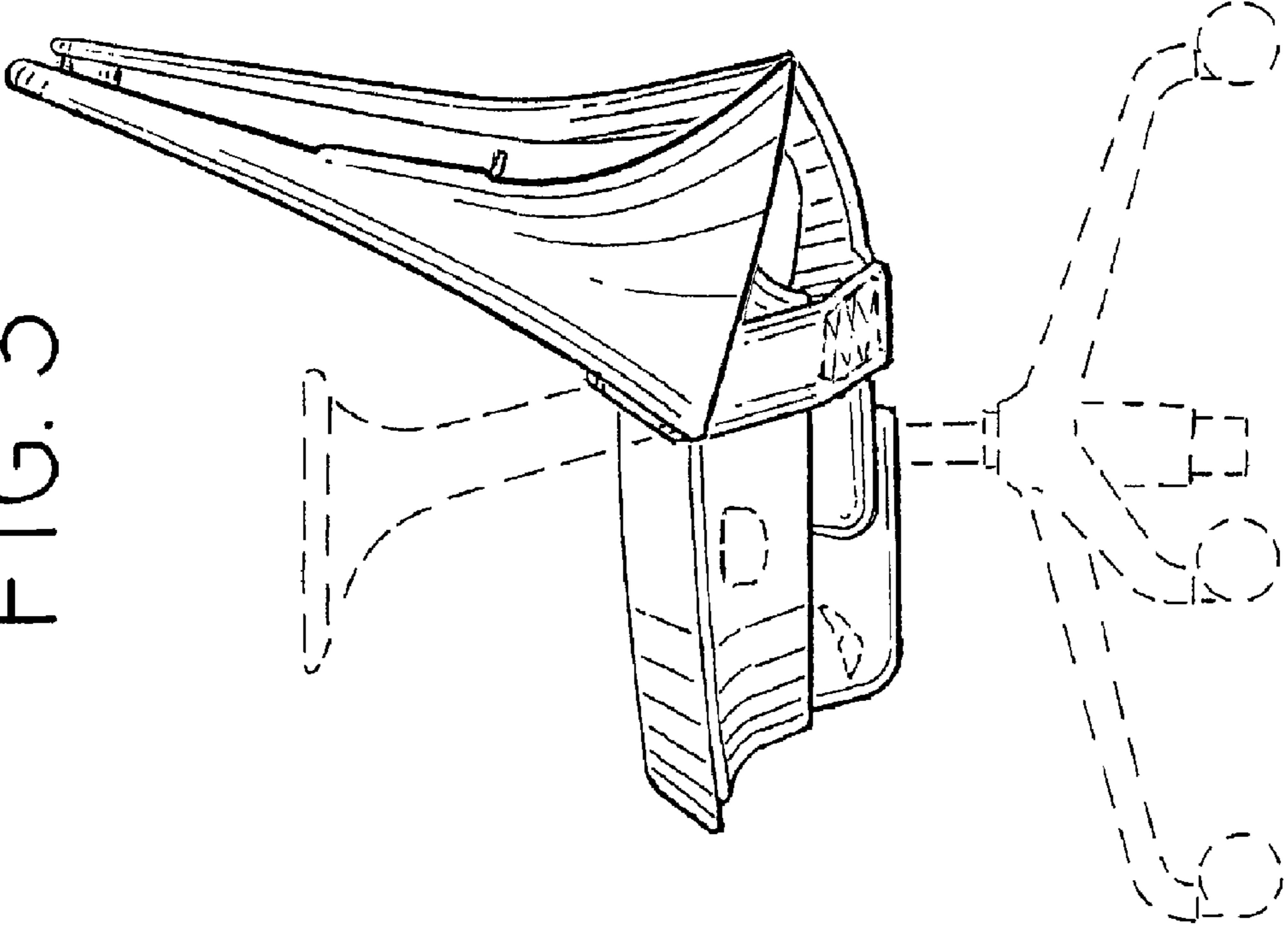


FIG. 2

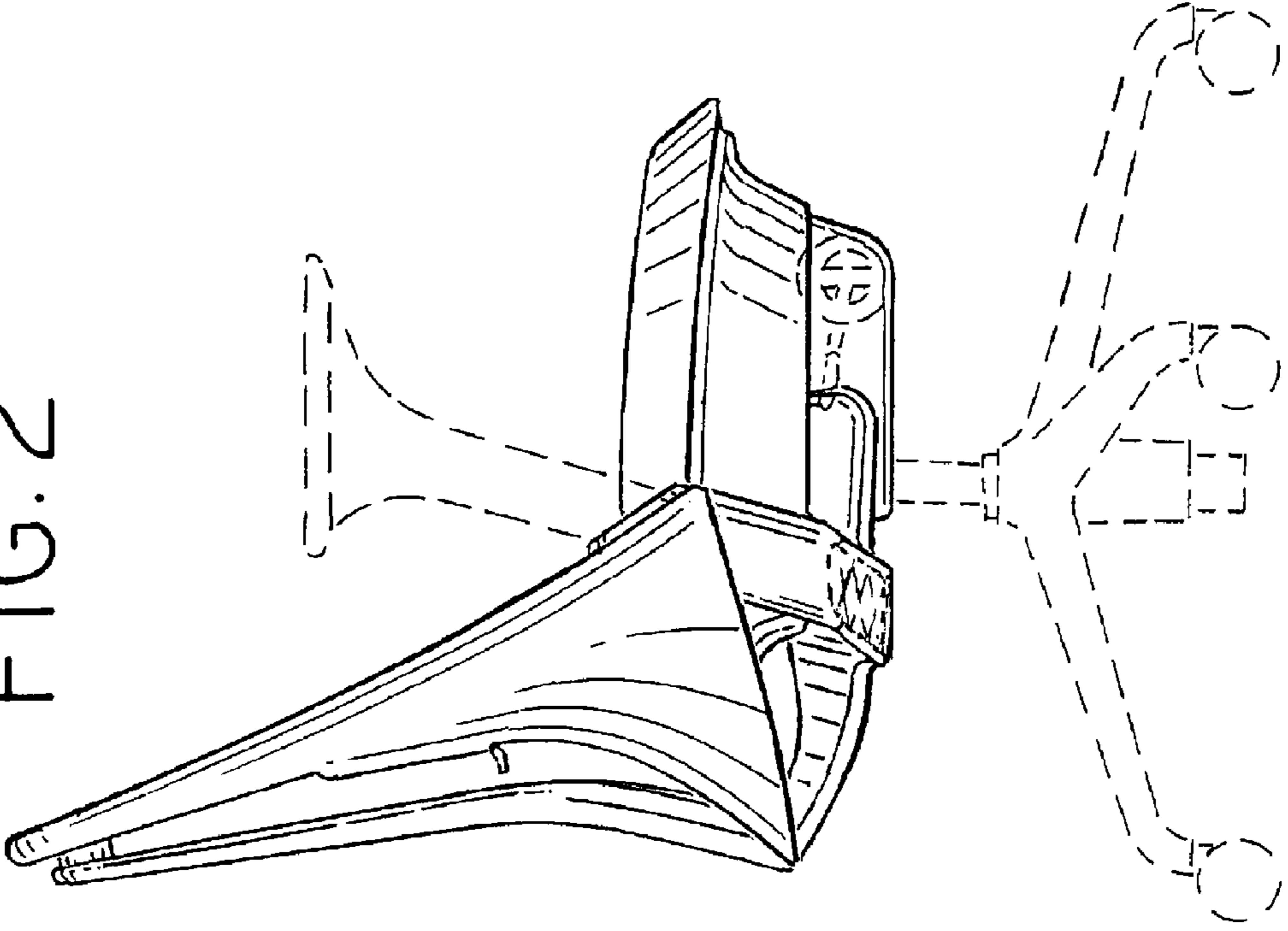


FIG. 5

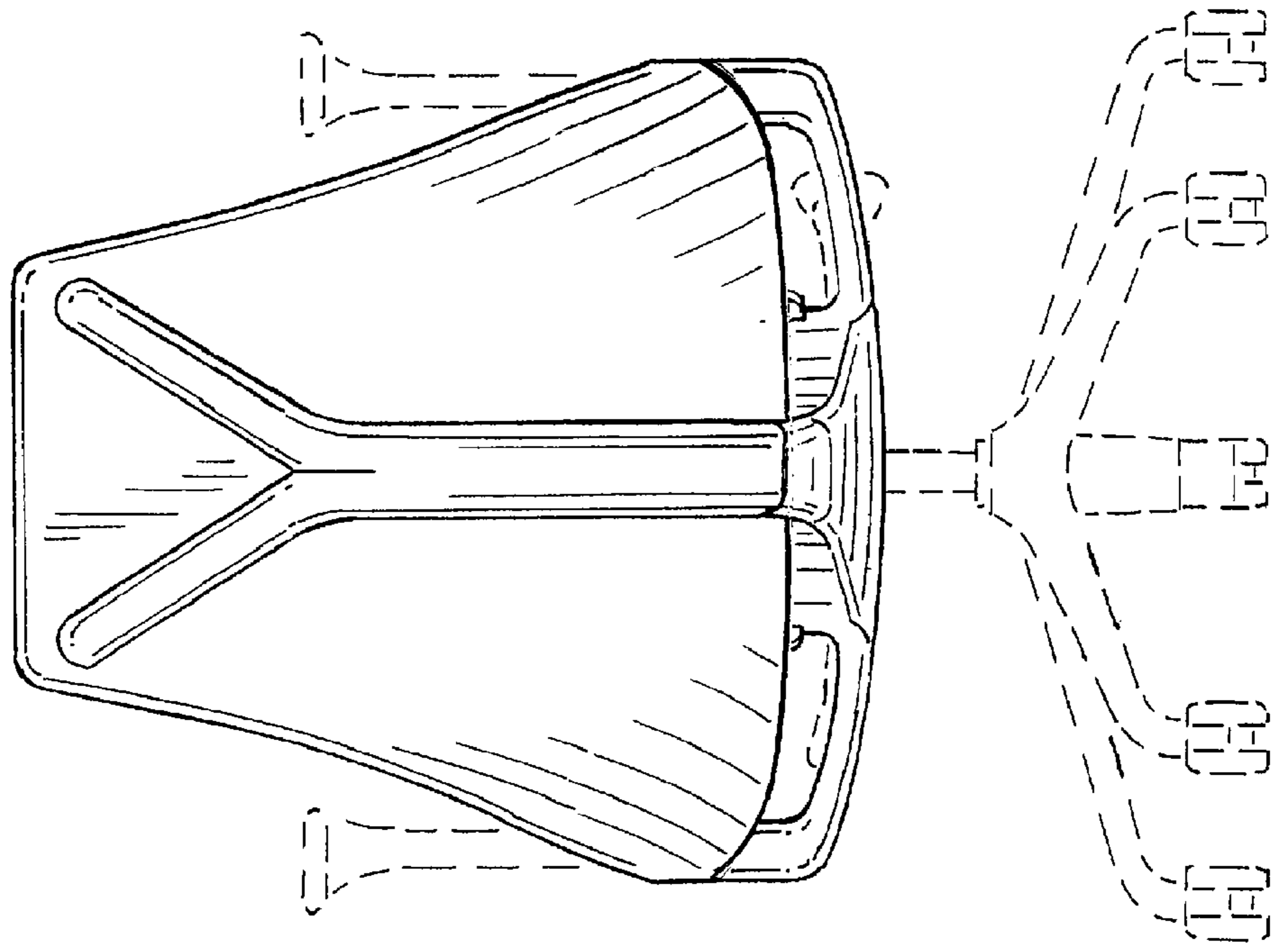


FIG. 4

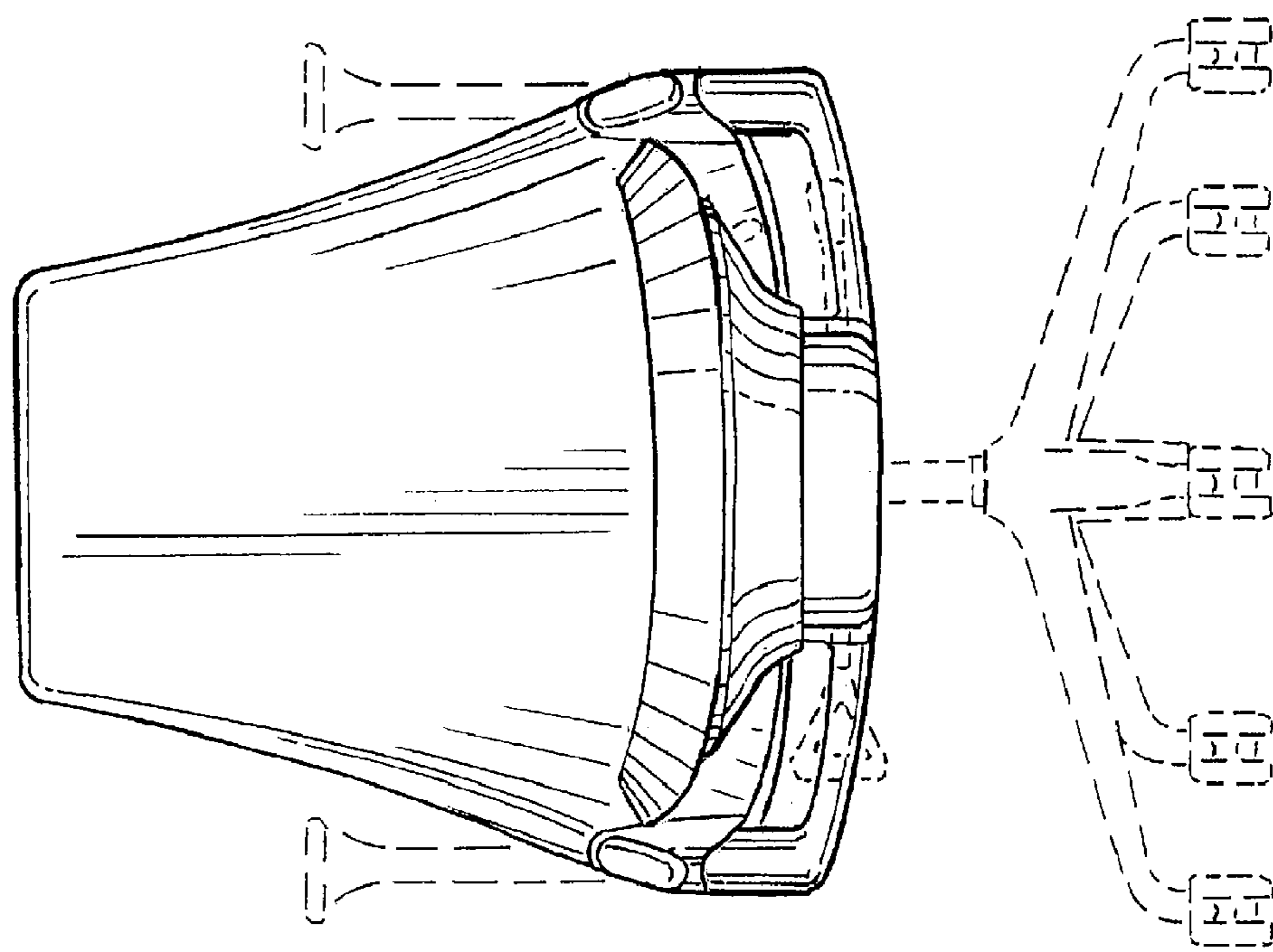


FIG. 6

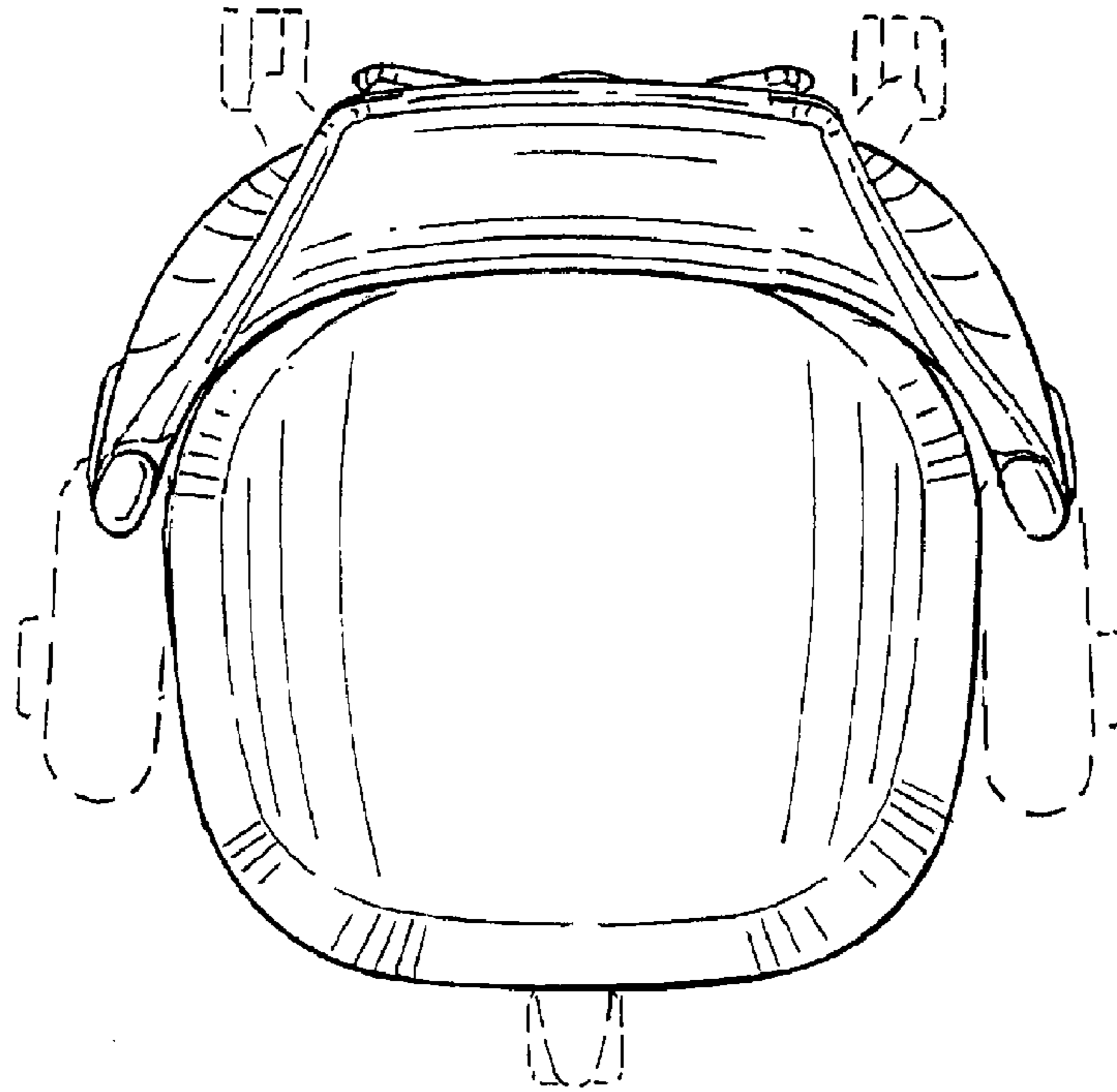


FIG. 7

