

US00D637416S

(12) **United States Design Patent**  
**Kelemer**

(10) **Patent No.:** **US D637,416 S**  
(45) **Date of Patent:** **\*\* May 10, 2011**

(54) **FOLDING CHAIR**

(76) Inventor: **Linda Derman Kelemer**, Los Angeles,  
CA (US)

(\*\*) Term: **14 Years**

(21) Appl. No.: **29/379,323**

(22) Filed: **Nov. 17, 2010**

D520,256 S *	5/2006	King	.....	D6/374
D524,072 S *	7/2006	King	.....	D6/380
D525,801 S *	8/2006	Domack et al.	.....	D6/380
D536,884 S	2/2007	Meda		
D553,372 S	10/2007	Henschel		
D554,875 S	11/2007	Emert		
D578,790 S	10/2008	Ciani		
D593,336 S	6/2009	Ciani		
D601,822 S *	10/2009	Neil	.....	D6/379
D616,658 S *	6/2010	Niermeyer	.....	D6/368
D617,108 S *	6/2010	Niermeyer	.....	D6/368
D620,275 S *	7/2010	Sofield	.....	D6/380

\* cited by examiner

**Related U.S. Application Data**

(62) Division of application No. 29/339,604, filed on Jul. 2,  
2009, now Pat. No. Des. 630,449.

(51) **LOC (9) Cl.** ..... **06-01**

(52) **U.S. Cl.** ..... **D6/368**

(58) **Field of Classification Search** ..... D6/334-336,  
D6/367-368, 371-374, 376, 379-380, 500-502;  
297/16.1, 40-41, 55-59, 452.1, 452.29  
See application file for complete search history.

*Primary Examiner* — Elizabeth A. Albert

*Assistant Examiner* — Kelley A Donnelly

(74) *Attorney, Agent, or Firm* — QuickPatents, Inc.; Kevin  
Prince

(57) **CLAIM**

I claim the ornamental design for a folding chair, as shown  
and described.

**DESCRIPTION**

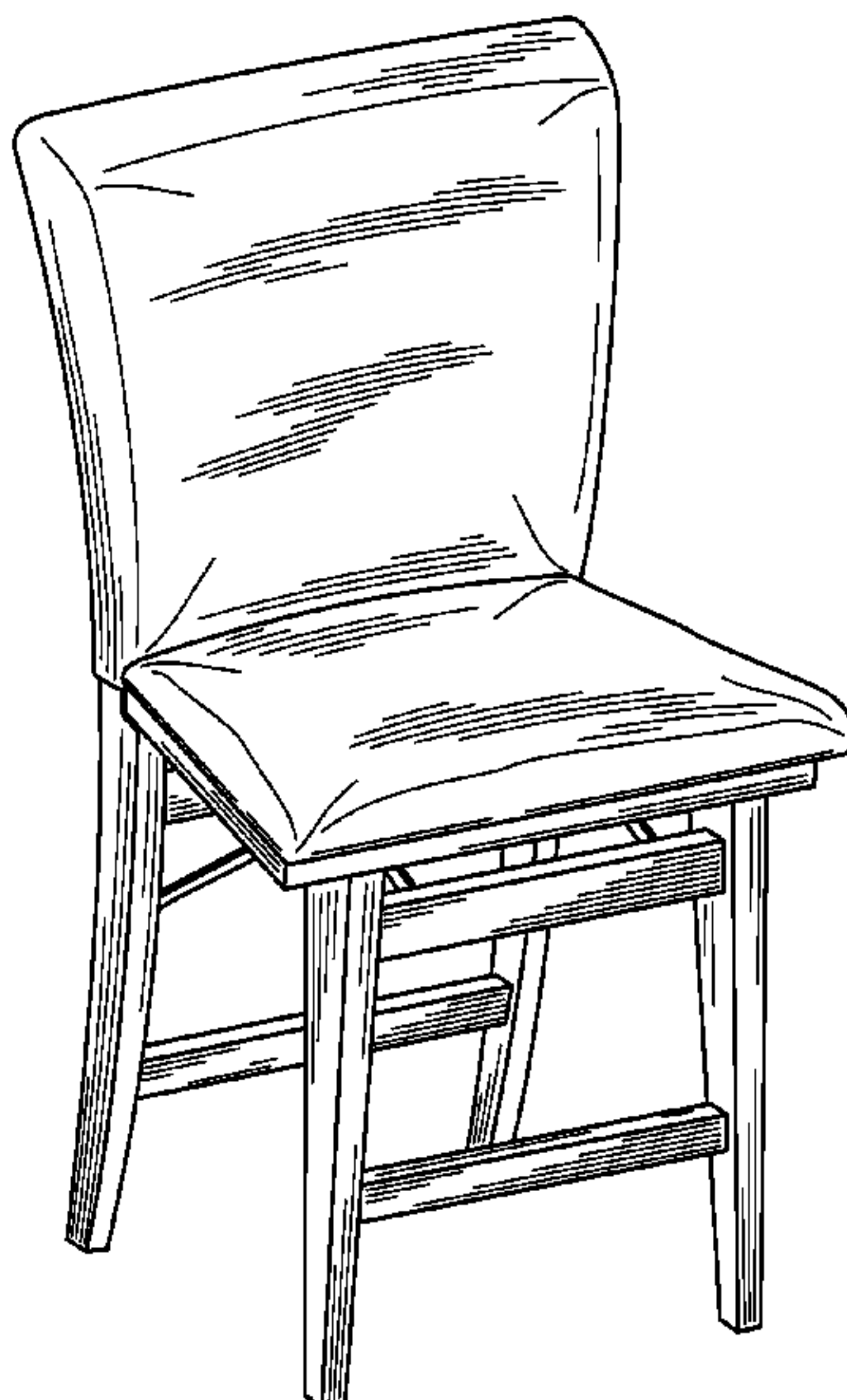
FIG. 1 is a perspective view of a folding chair, illustrated in an  
expanded configuration, showing my new design;  
FIG. 2 is a front elevational view of FIG. 1;  
FIG. 3 is a rear elevational view of FIG. 1;  
FIG. 4 is a right-side elevational view of FIG. 1, the left-side  
elevational view being a mirror image thereof;  
FIG. 5 is a top plan view of FIG. 1;  
FIG. 6 is a bottom plan view of FIG. 1;  
FIG. 7 is a front elevational view thereof, illustrated in a  
collapsed configuration; and,  
FIG. 8 is a right-side elevational view of FIG. 7, the left-side  
elevational view being a mirror image thereof.  
The broken lines in FIG. 6 are for the purpose of illustrating  
the environment of the design only and form no part of the  
claimed design.

(56) **References Cited**

**U.S. PATENT DOCUMENTS**

D78,960 S	7/1929	Feinberg		
1,957,417 A	5/1934	Williams		
D158,841 S	6/1950	Cudini		
D194,032 S	11/1962	Scruci		
3,236,558 A *	2/1966	Kaufman	.....	297/59
D258,176 S	2/1981	Baker		
D263,435 S	3/1982	Deconinck		
D265,026 S	6/1982	Macho		
D344,859 S	3/1994	Butterfield		
D367,563 S	3/1996	Murken		
D402,126 S	12/1998	Silva		
D426,972 S	6/2000	Bellini		
D433,830 S	11/2000	Barile		
D469,263 S *	1/2003	Clark et al.	.....	D6/334
D485,447 S	1/2004	Stanton		
D502,611 S	3/2005	Williams		
D503,288 S *	3/2005	Domack	.....	D6/334
D518,970 S *	4/2006	Domack et al.	.....	D6/380

**1 Claim, 3 Drawing Sheets**



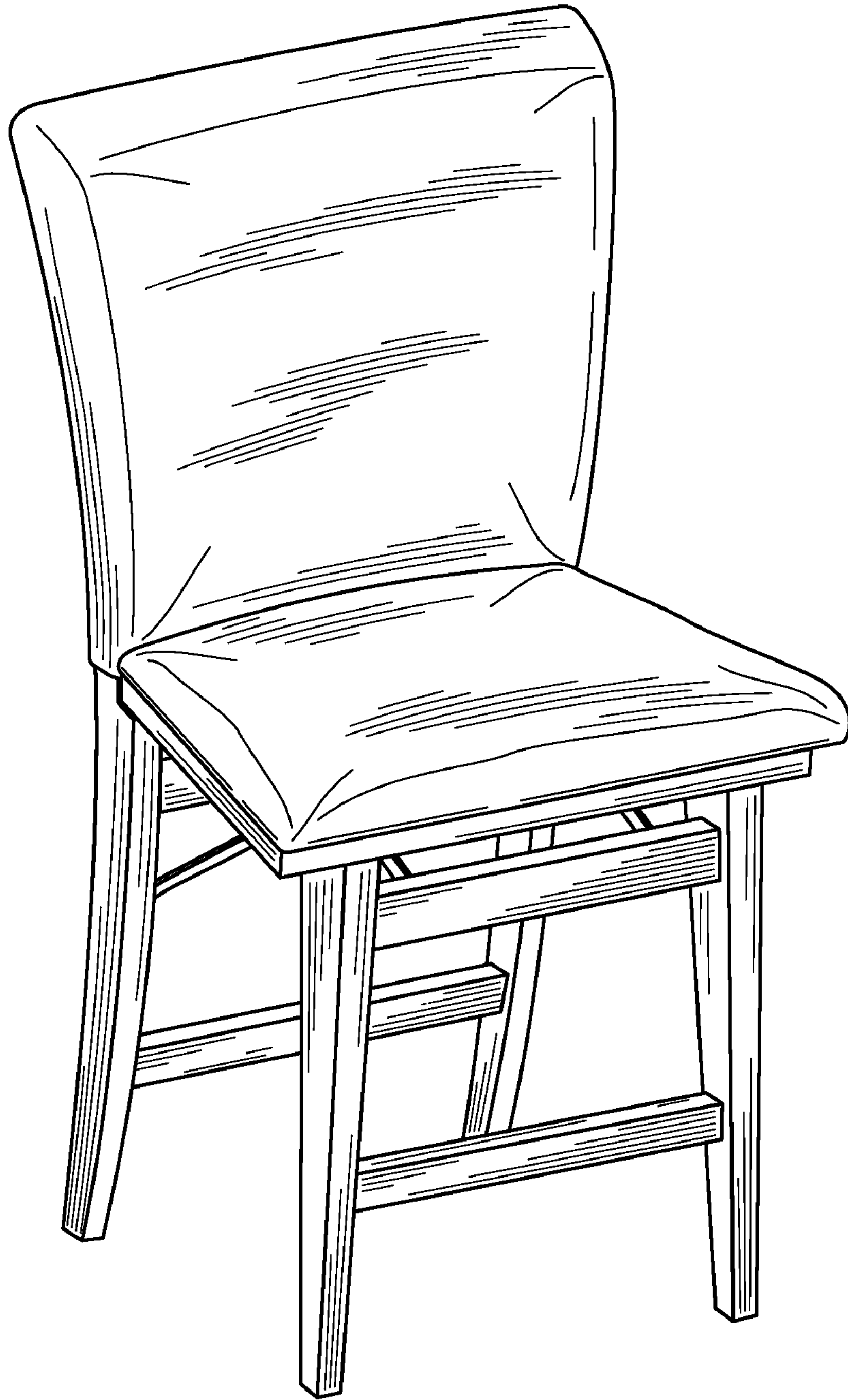


FIG. 1

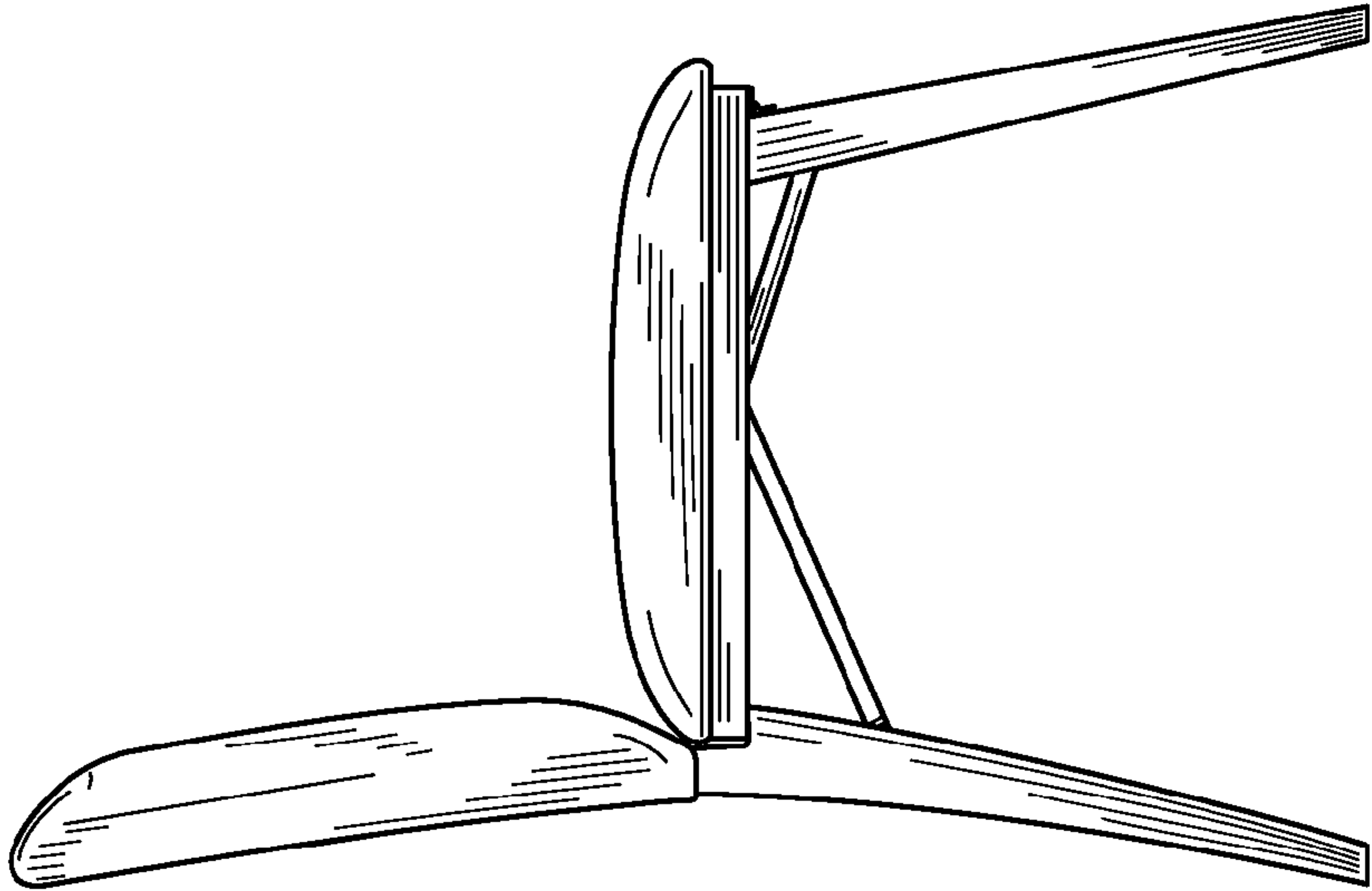


FIG. 4

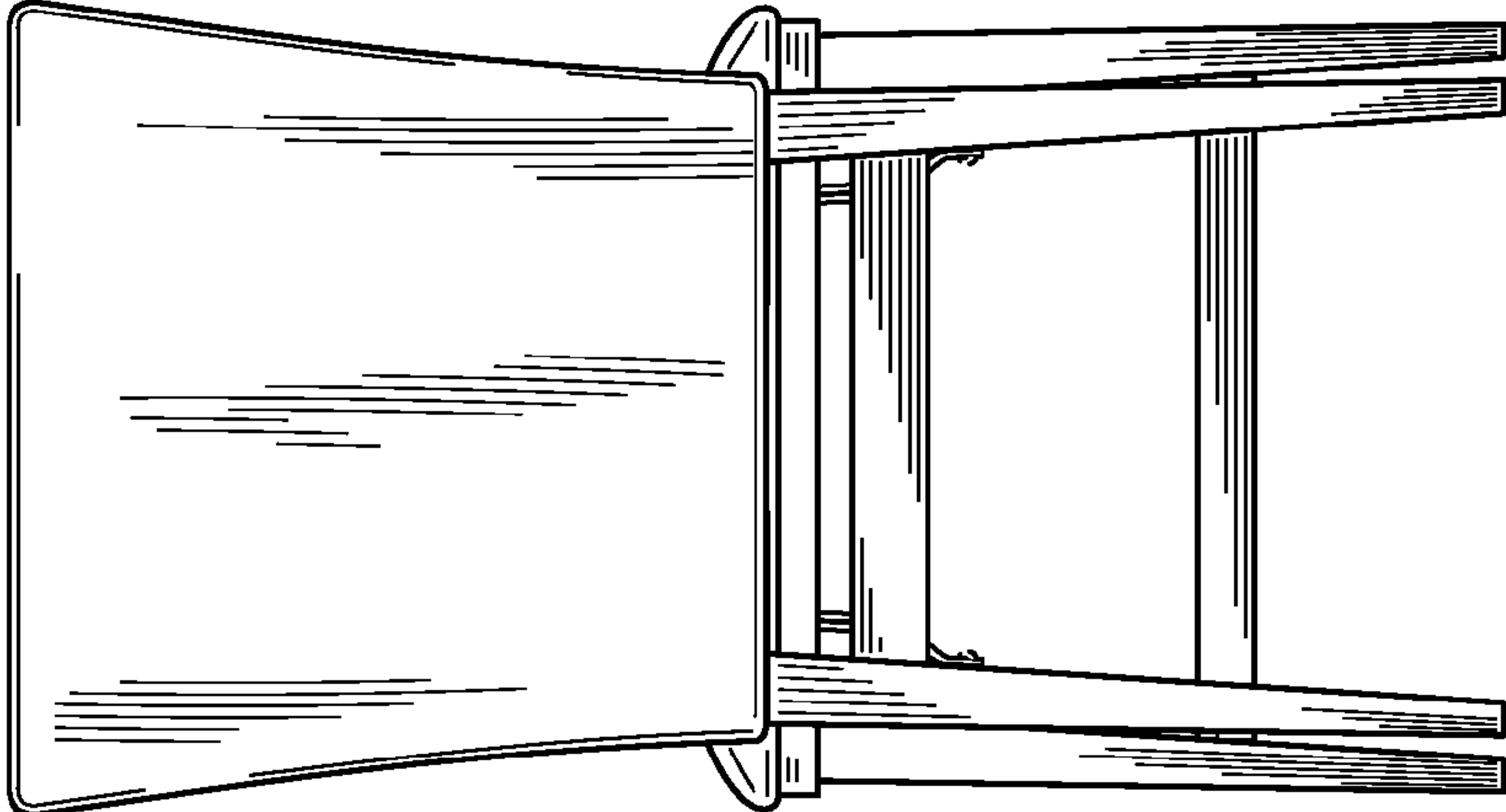


FIG. 3

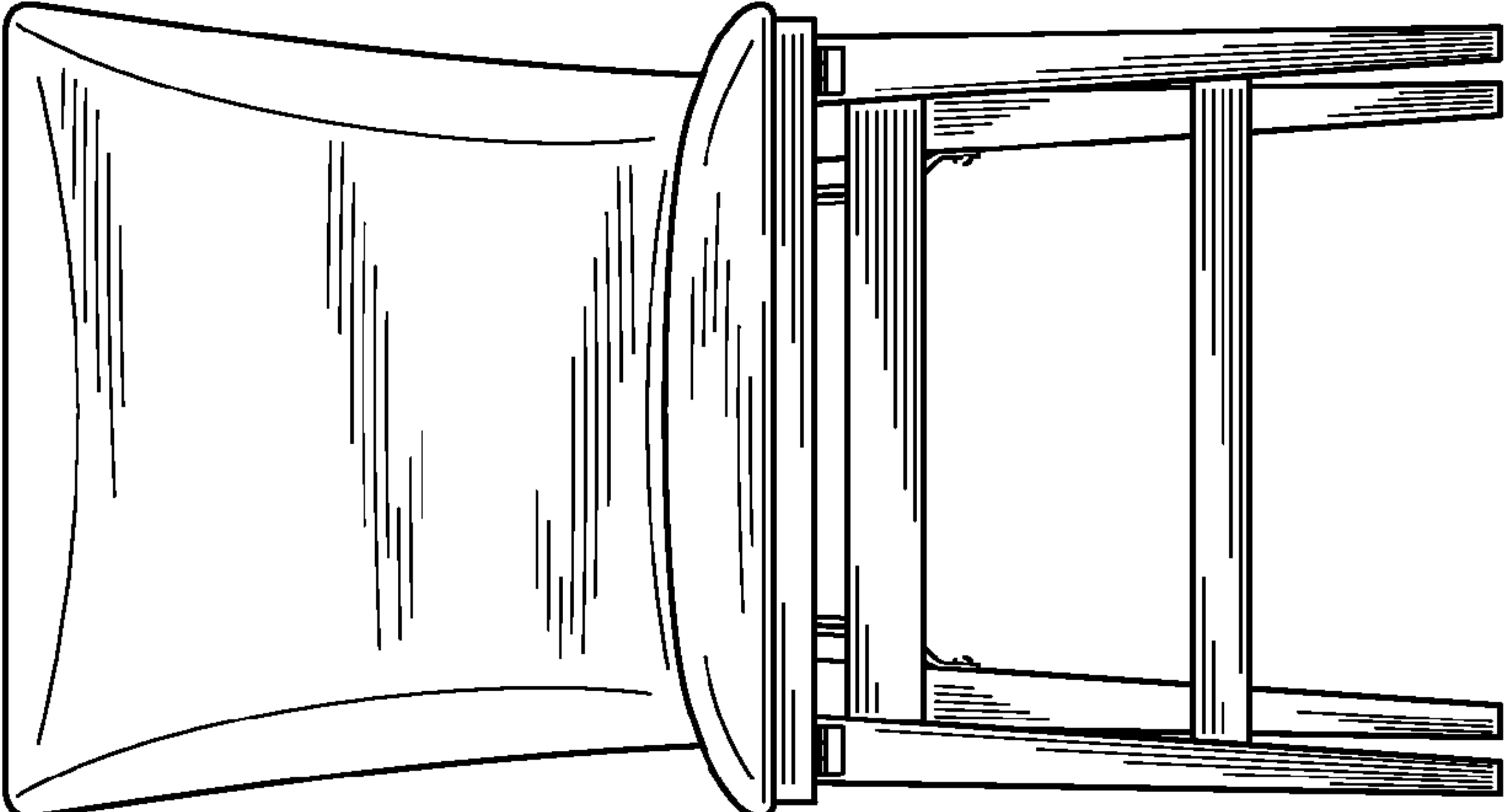


FIG. 2

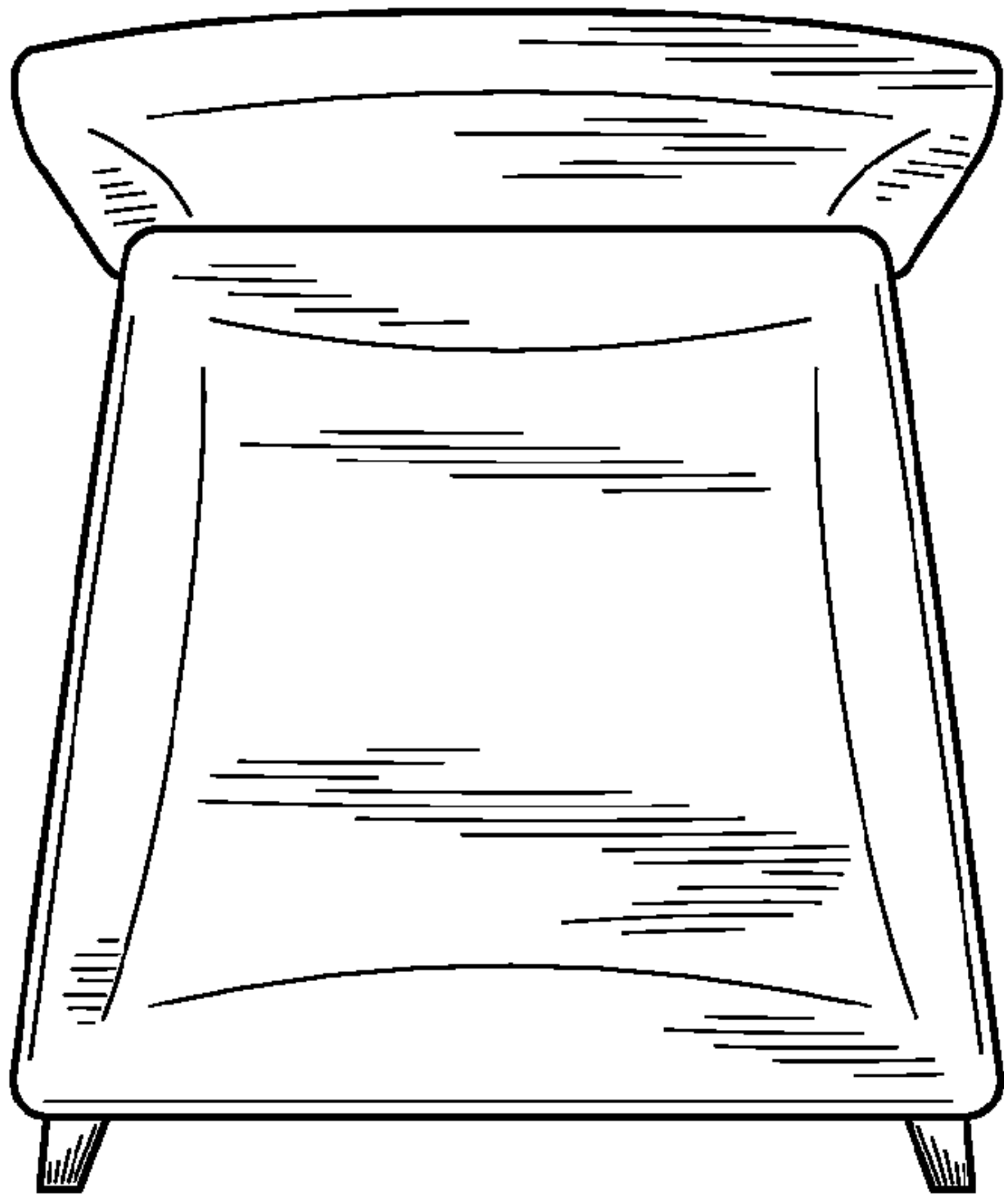


FIG. 5

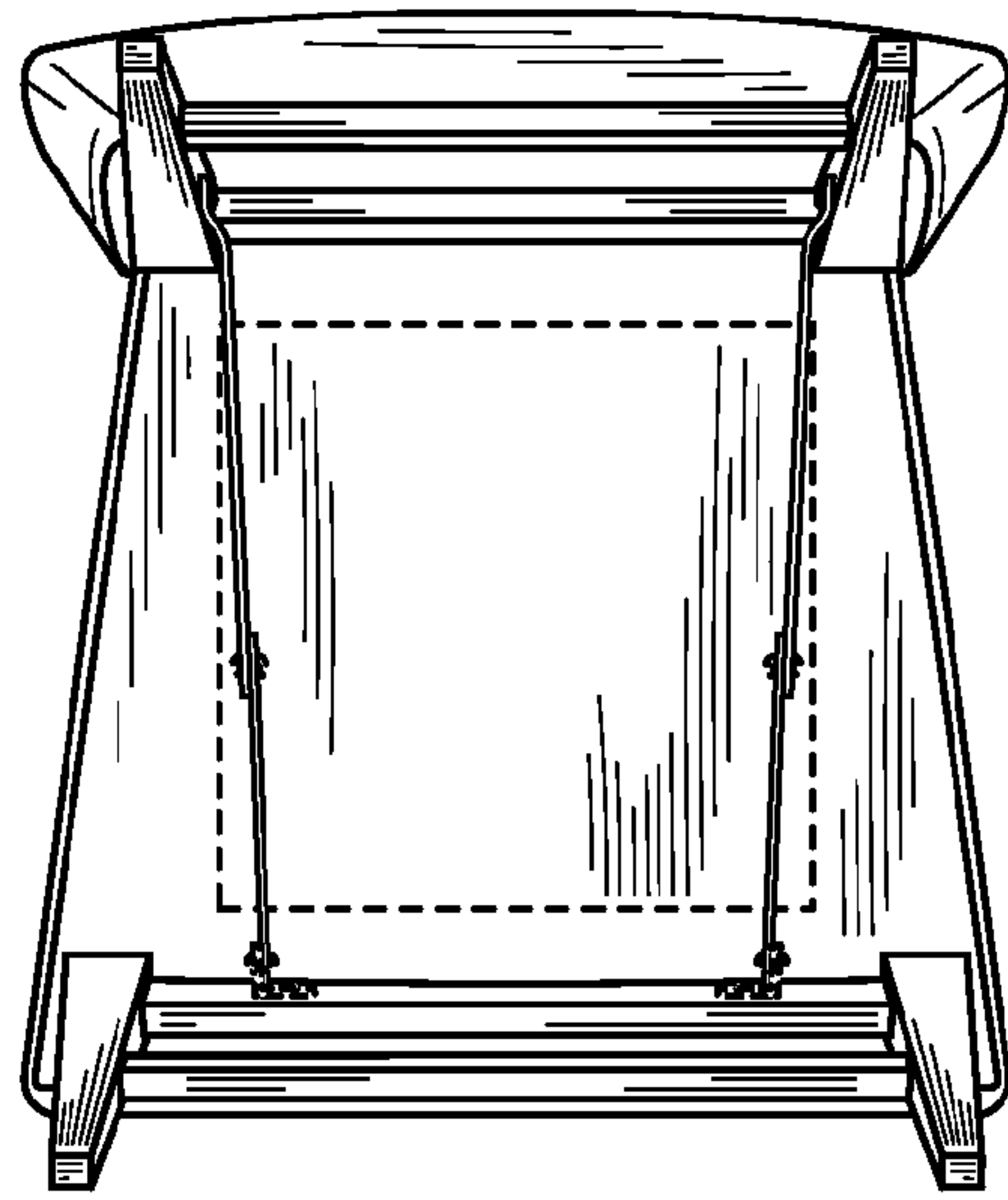


FIG. 6

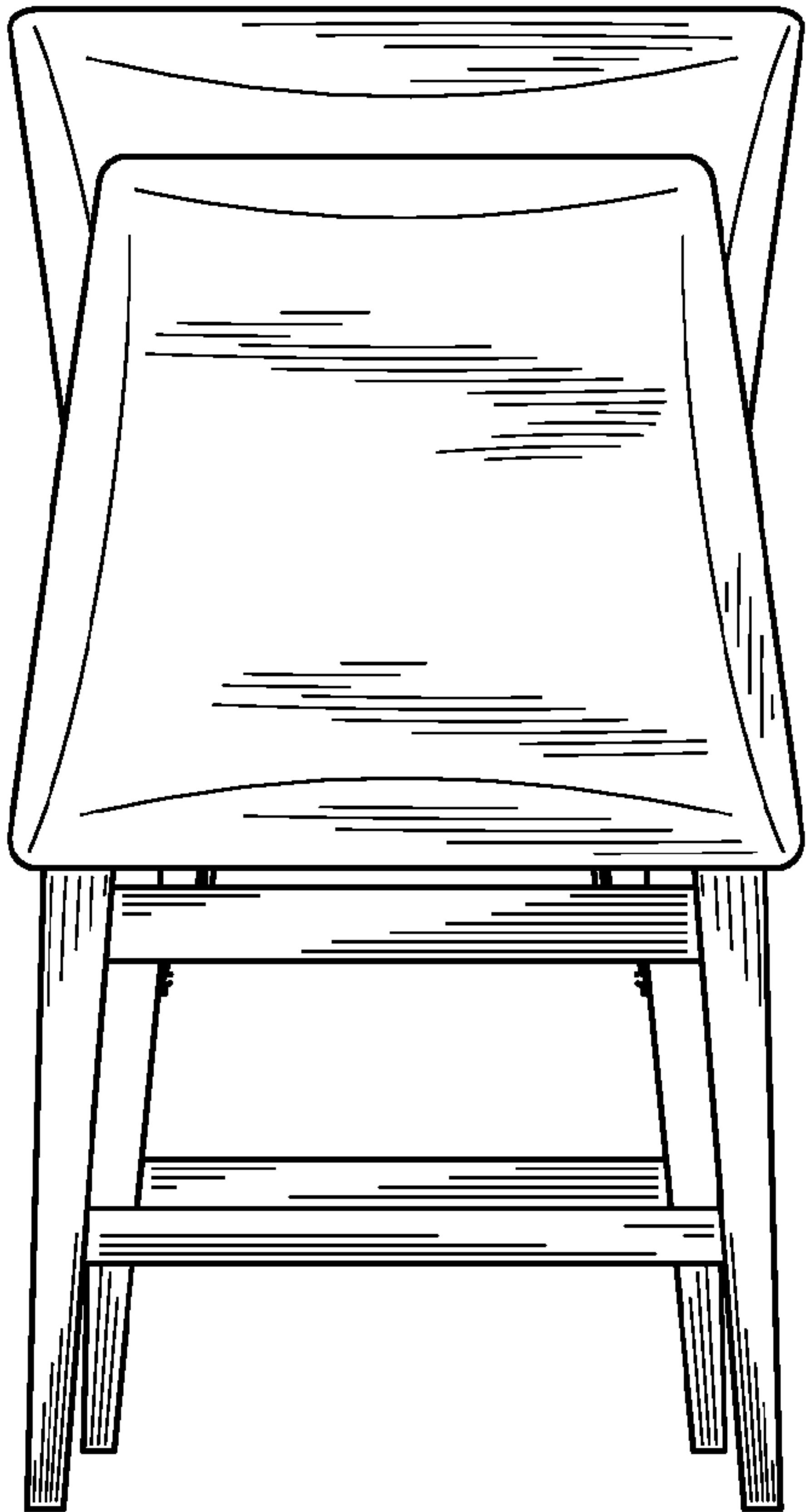


FIG. 7



FIG. 8