



US00D637415S

(12) **United States Design Patent**  
**Lee**

(10) **Patent No.:** **US D637,415 S**  
(45) **Date of Patent:** **\*\* May 10, 2011**

(54) **CHAIR**

(76) Inventor: **Sangho Lee**, Busan (KR)

(\*\*) Term: **14 Years**

(21) Appl. No.: **29/363,025**

(22) Filed: **Jun. 3, 2010**

(30) **Foreign Application Priority Data**

Dec. 28, 2009 (KR) ..... 30-2009-0057040

(51) **LOC (9) Cl.** ..... **06-01**

(52) **U.S. Cl.** ..... **D6/366**

(58) **Field of Classification Search** ..... D6/334-336,  
D6/352, 360-369, 373-374, 379-380, 491,  
D6/498, 500-502, 601; 297/118, 284.4-284.5,  
297/291, 297, 411.2, 411.27-411.29, 423.13,  
297/452.13, 452.19, 452.21, 452.29, 452.3,  
297/452.56, 452.64, 466

See application file for complete search history.

(56) **References Cited**

**U.S. PATENT DOCUMENTS**

D266,291 S \* 9/1982 Leffler et al. .... D6/366  
D283,858 S \* 5/1986 Opsvik ..... D6/366

D293,049 S \* 12/1987 Opsvik ..... D6/366  
5,054,857 A \* 10/1991 Kvalheim ..... 297/423.13  
5,261,727 A \* 11/1993 Klaebel ..... 297/423.13  
D428,713 S \* 8/2000 Arko et al. .... D6/336  
D493,968 S \* 8/2004 Barbieri ..... D6/352  
7,090,303 B2 \* 8/2006 Kropa ..... 297/466  
D577,229 S \* 9/2008 Haaksma ..... D6/500  
D577,230 S \* 9/2008 Haaksma ..... D6/500  
D591,537 S \* 5/2009 Zhang ..... D6/491  
D620,722 S \* 8/2010 Adams ..... D6/366  
2008/0093896 A1 \* 4/2008 Zhang ..... 297/118

\* cited by examiner

*Primary Examiner* — Ricky Pham

(74) *Attorney, Agent, or Firm* — Cantor Colburn LLP

(57) **CLAIM**

I claim, the ornamental design for a chair, as shown and described.

**DESCRIPTION**

FIG. 1 is a perspective view of chair, showing my new design;  
FIG. 2 is a front elevational view thereof;  
FIG. 3 is a rear elevational view thereof;  
FIG. 4 is a left side elevational view thereof;  
FIG. 5 is a right side elevational view thereof;  
FIG. 6 is a top plan view thereof; and,  
FIG. 7 is a bottom plan view thereof.

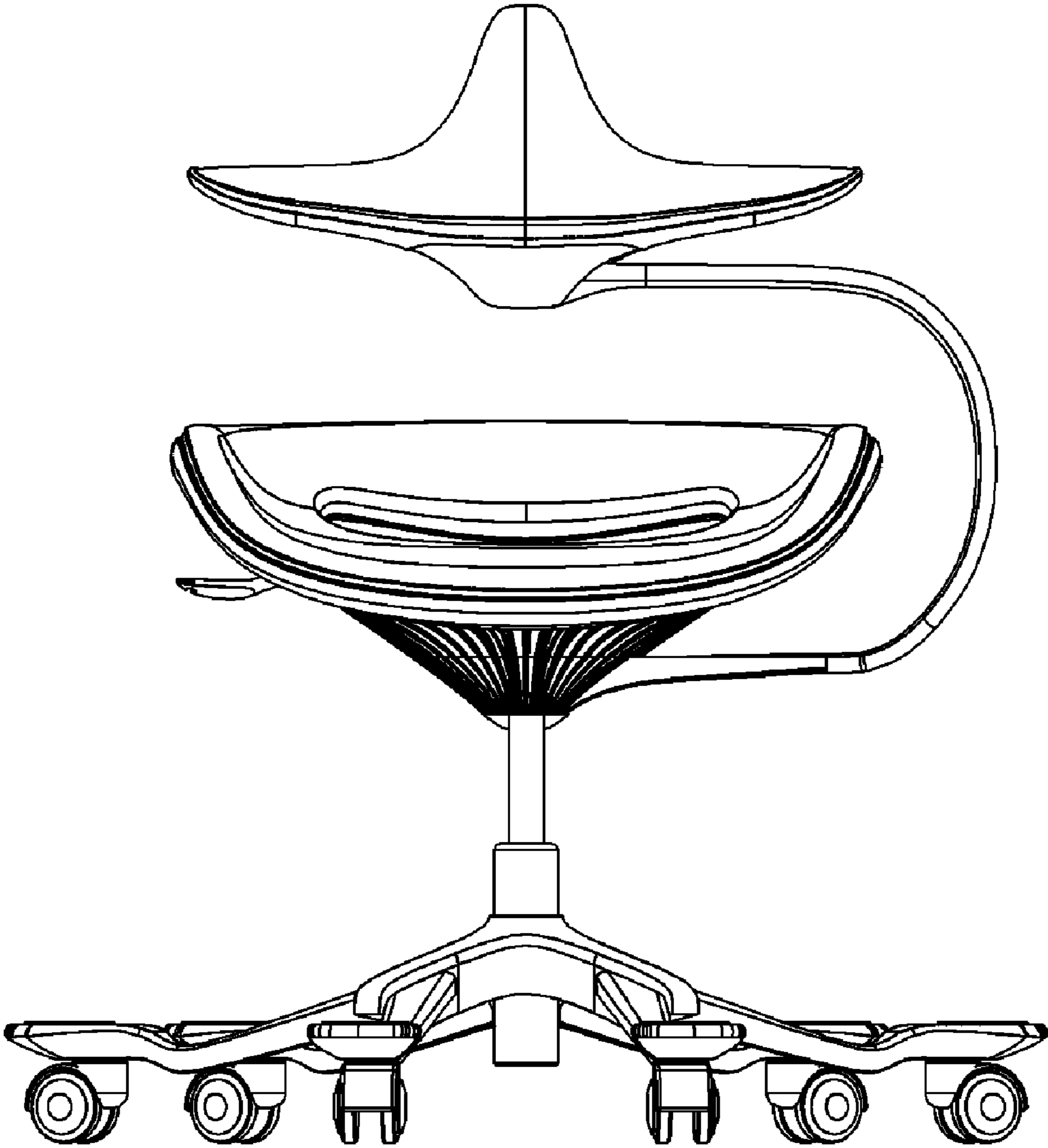
**1 Claim, 7 Drawing Sheets**



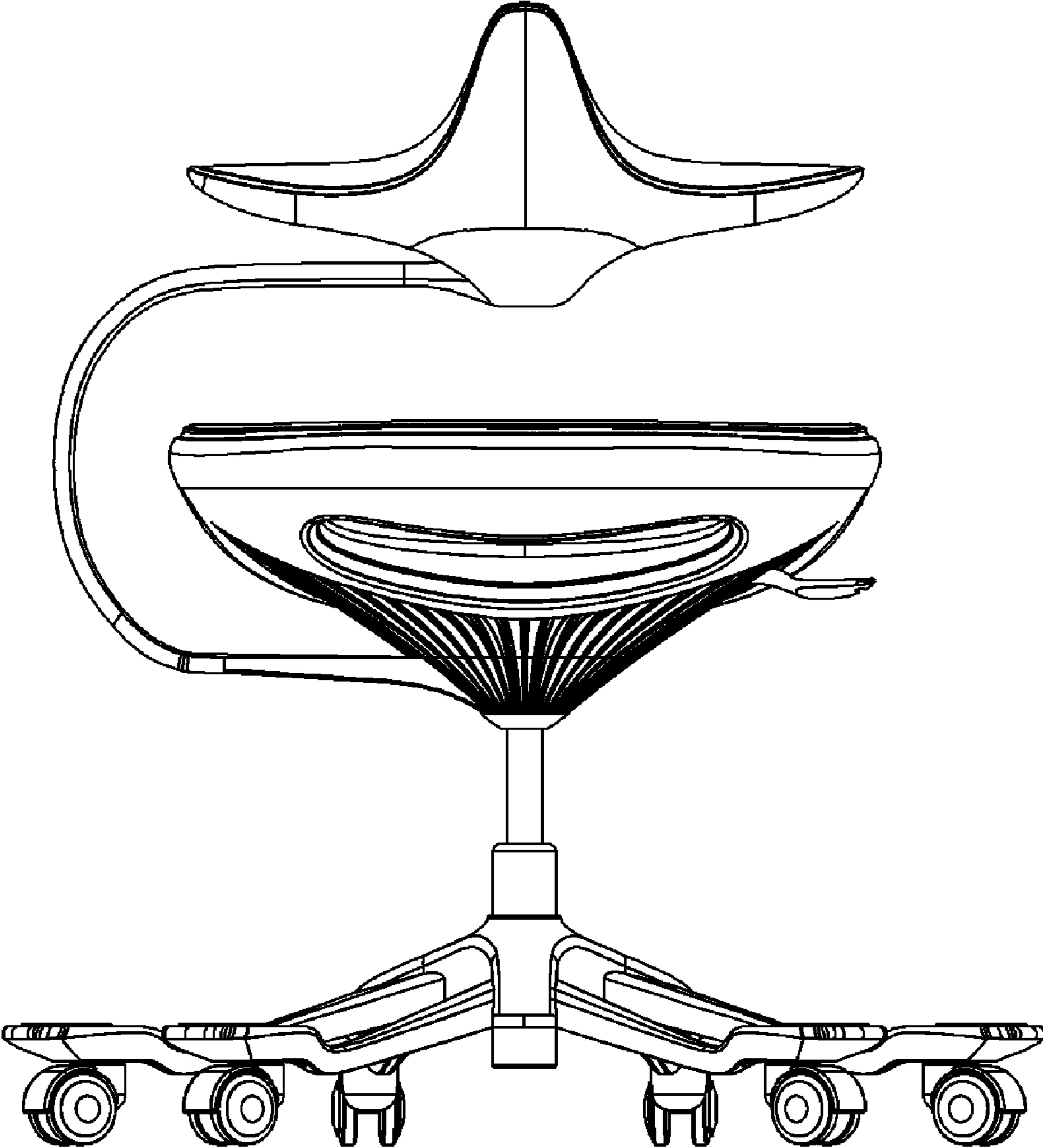
**FIG. 1**



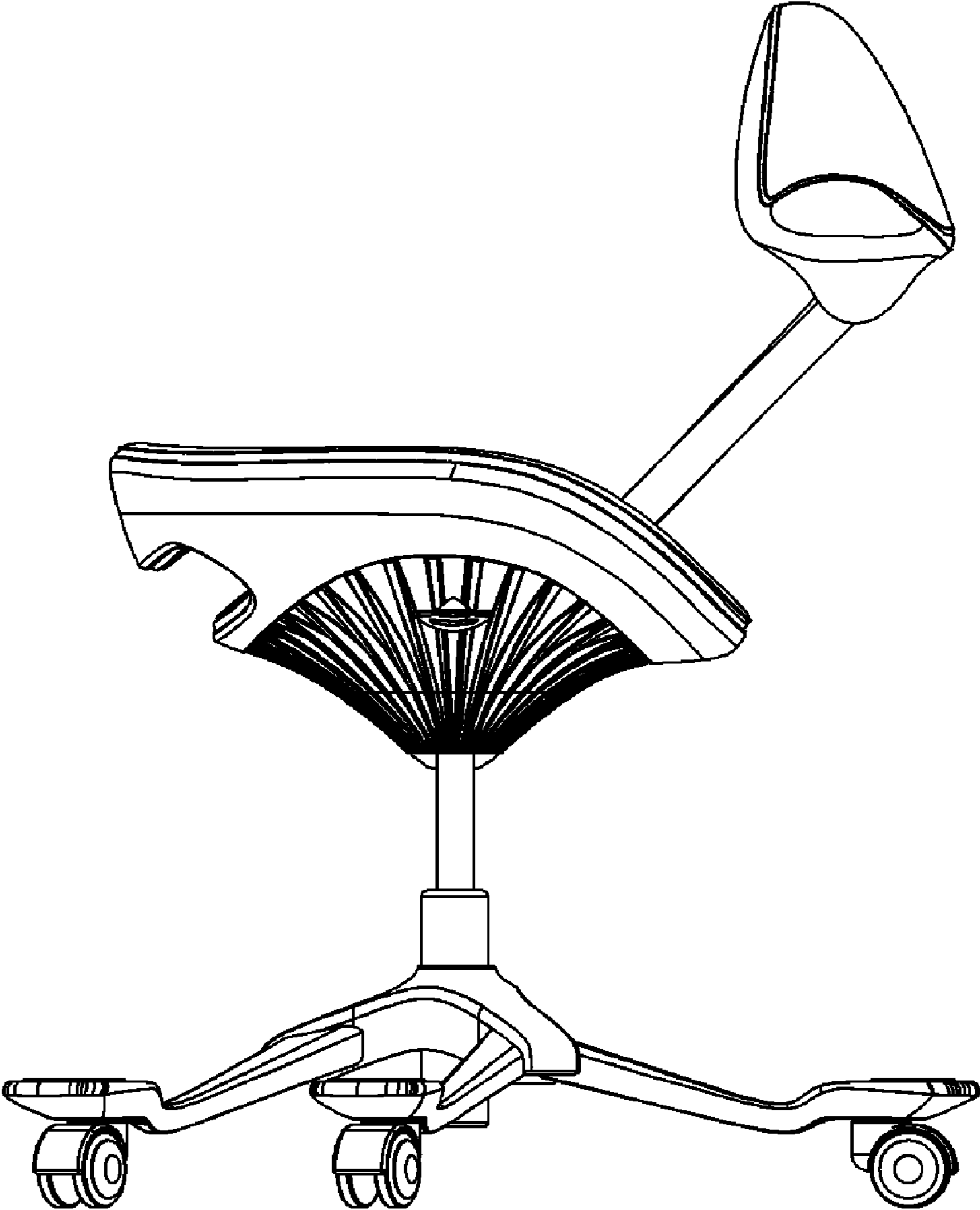
**FIG. 2**



**FIG. 3**



**FIG. 4**





**FIG. 5**

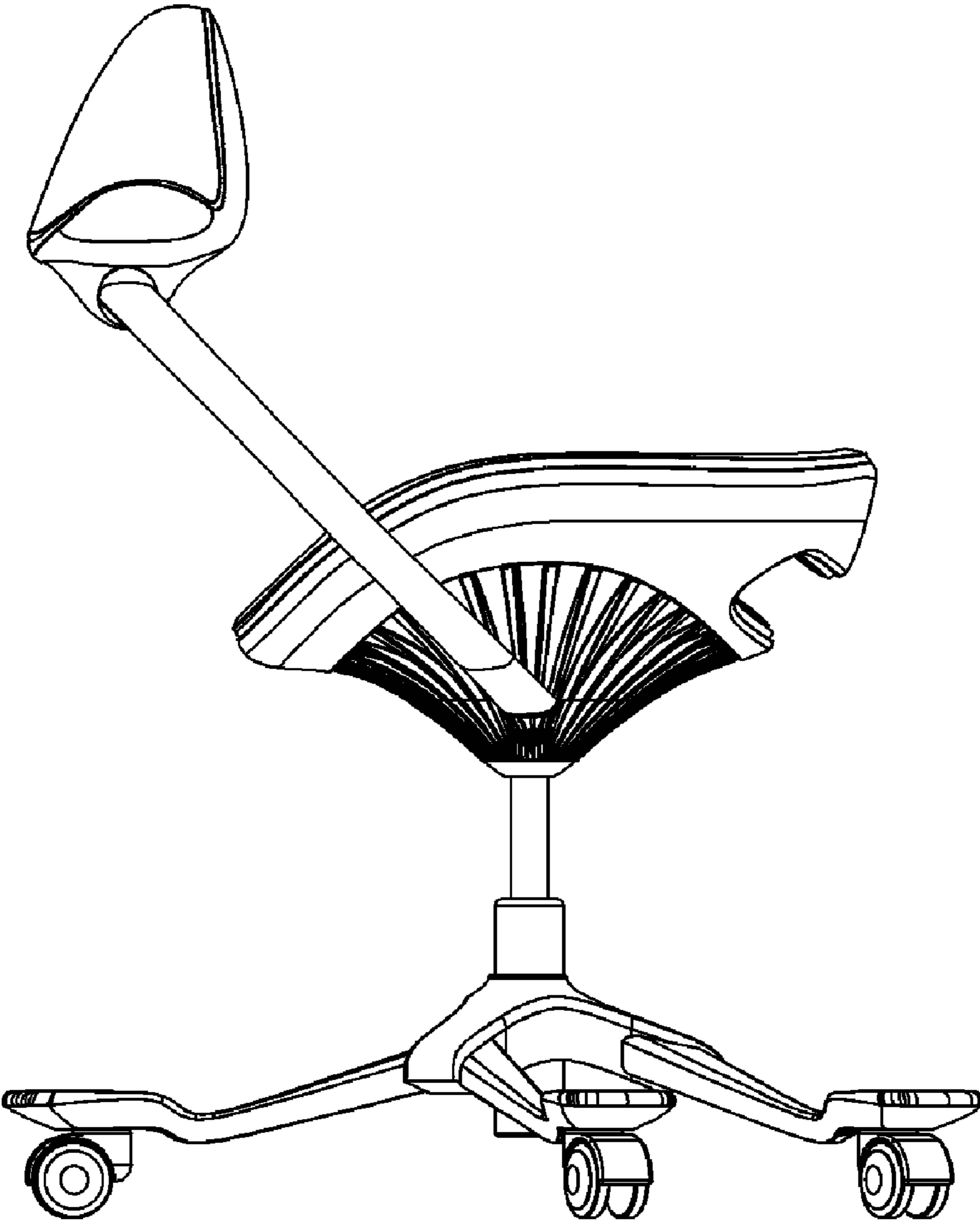
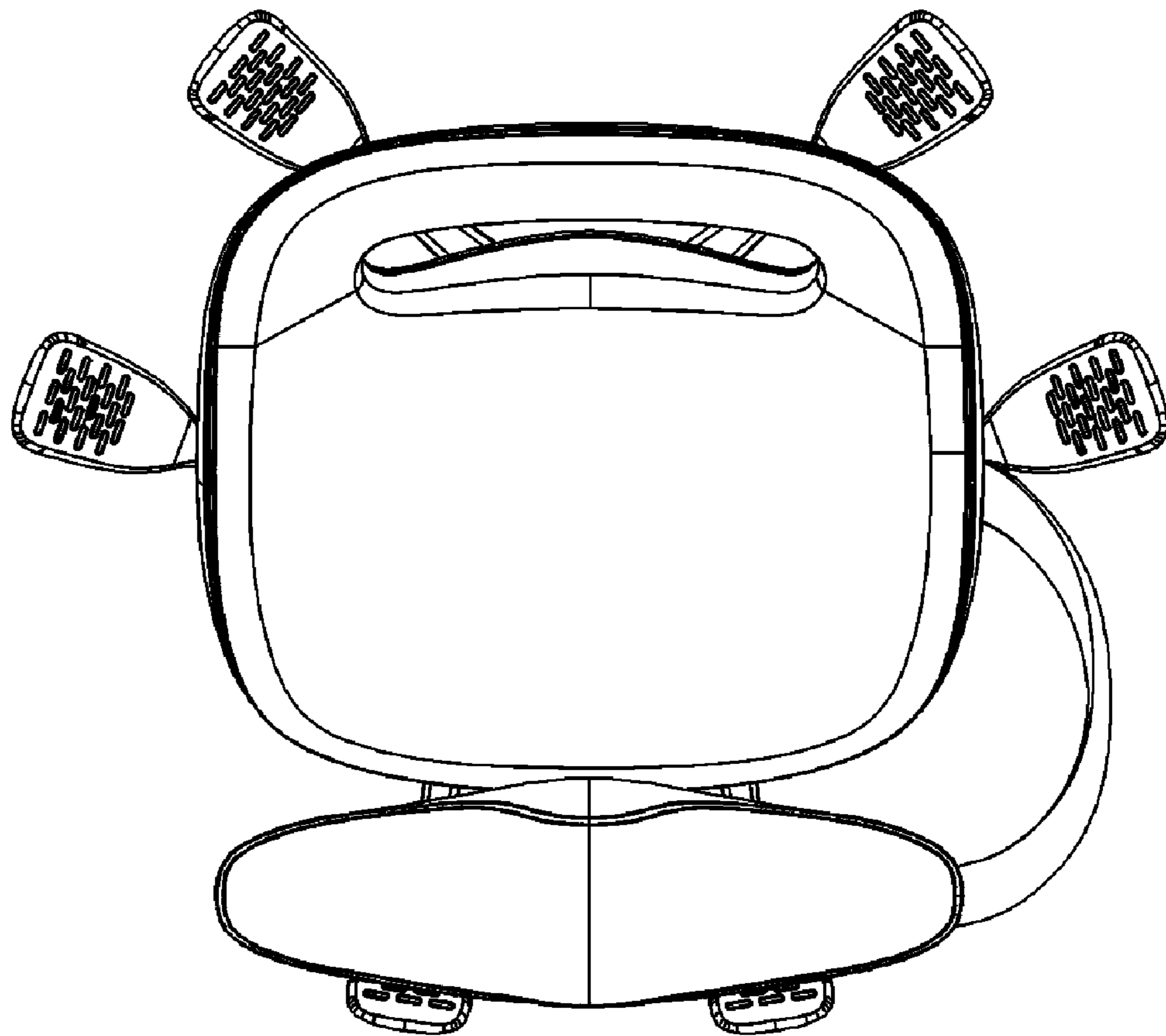


FIG. 6



**FIG. 7**

