



US00D637414S

(12) **United States Design Patent**
Butcher

(10) **Patent No.:** **US D637,414 S**

(45) **Date of Patent:** **** May 10, 2011**

(54) **IMAGE DISPLAY DEVICE**

(76) Inventor: **Gleeston Butcher**, Toronto (CA)

(**) Term: **14 Years**

(21) Appl. No.: **29/296,824**

(22) Filed: **Oct. 29, 2007**

Related U.S. Application Data

(62) Division of application No. 29/254,910, filed on Mar. 1, 2006, now Pat. No. Des. 559,559.

(30) **Foreign Application Priority Data**

Sep. 2, 2005 (CA) 112482

(51) **LOC (9) Cl.** **06-04**

(52) **U.S. Cl.** **D6/309**

(58) **Field of Classification Search** D6/300–314,
D6/469, 466, 495; D10/2, 15, 40; D14/375;
40/700, 765, 735, 780, 760, 152, 152.1, 154–157;
D11/131, 164

See application file for complete search history.

(56) **References Cited**

U.S. PATENT DOCUMENTS

| | | | | |
|---------------|---------|----------|-------|---------|
| D133,104 S * | 7/1942 | Meyer | | D6/495 |
| 4,014,122 A | 3/1977 | Woods | | |
| D288,154 S * | 2/1987 | Hobgood | | D6/466 |
| D290,447 S * | 6/1987 | Evans | | D11/131 |
| 4,807,377 A * | 2/1989 | Stuckel | | 40/711 |
| D317,531 S * | 6/1991 | Evans | | D6/309 |
| D326,281 S | 5/1992 | Funazaki | | |
| D392,110 S | 3/1998 | Tsui | | |
| D480,222 S | 10/2003 | Lee | | |
| D588,823 S * | 3/2009 | Butcher | | D6/309 |
| D592,409 S * | 5/2009 | Wu | | D6/309 |
| D615,452 S * | 5/2010 | Banman | | D11/164 |

* cited by examiner

Primary Examiner — Philip S Hyder

Assistant Examiner — Sydney R Buffalow

(74) *Attorney, Agent, or Firm* — Vidas, Arrett & Steinkraus

(57) **CLAIM**

The ornamental design for an image display device, as shown and described.

DESCRIPTION

FIG. 1 is a perspective view of the image display device showing my new design;

FIG. 2 is an exploded view of the upper portion of the design, the base portion being omitted;

FIG. 3 is a perspective view of the base portion of the design, the upper portion being omitted;

FIG. 4 is a front view of the backing portion of the design, the base and body portions being omitted;

FIG. 5 is a side view of the backing portion of the design, the base and body portions being omitted;

FIG. 6 is a rear view of the backing portion of the design, the base and body portions being omitted;

FIG. 7 is a side view of an alternate backing portion of the design, the backing portion having a hook and the base and body portions being omitted;

FIG. 8 shows a back view of an alternate backing portion of the design, the backing portion having a hook and the base and body portions being omitted;

FIG. 9 is a front view of the body portion of the design, the base and backing portions being omitted;

FIG. 10 is a side view of the body portion of the design, the base and backing portions being omitted;

FIG. 11 is a rear view of the body portion of the design, the base and backing portions being omitted;

FIG. 12. shows a back perspective view of the design, the body having a rear hook;

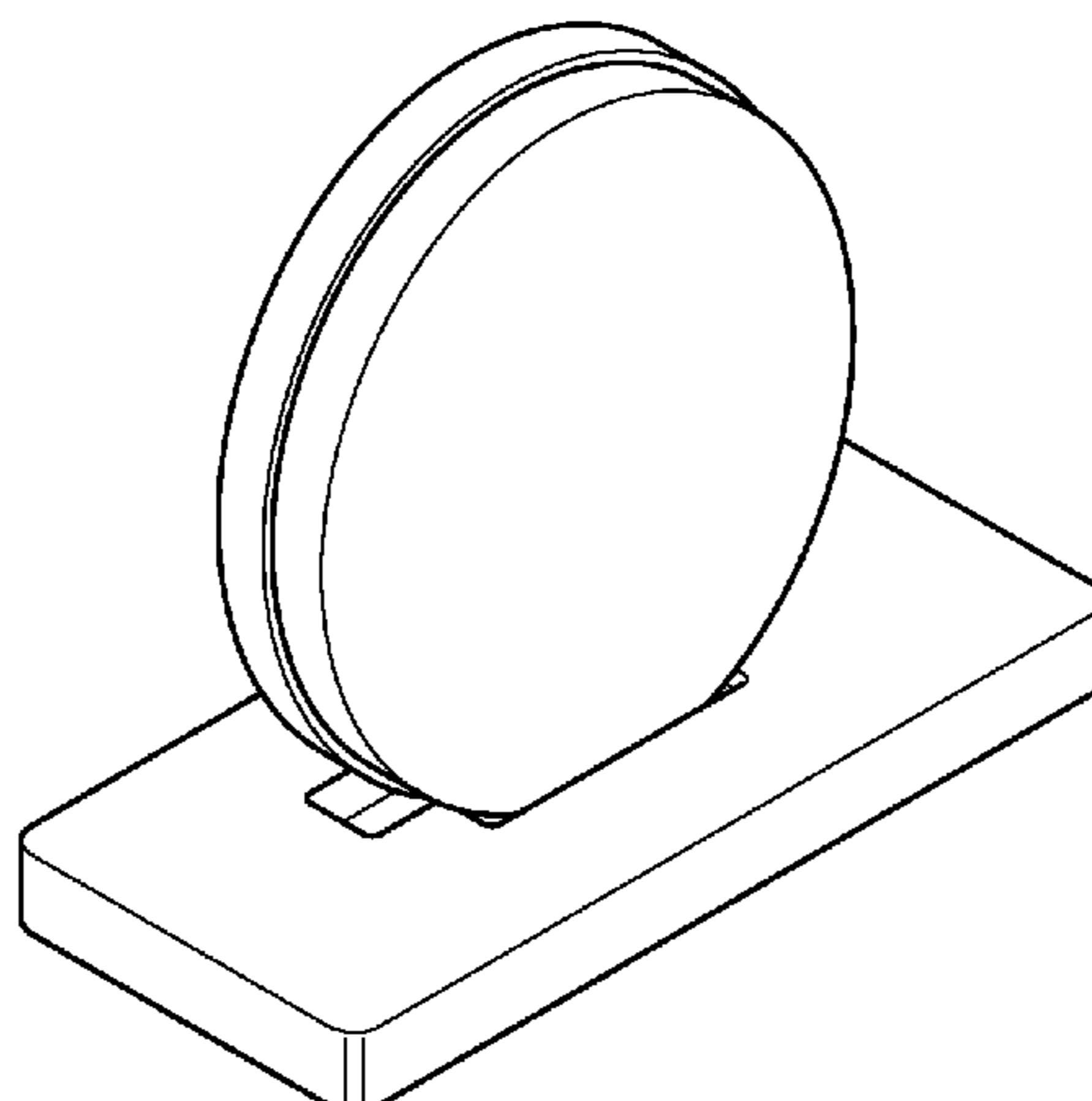
FIG. 13. shows a back perspective view of the design, with the rear hook being used to provide extra support; and,

FIG. 14 shows a rear perspective view of the design, the base being omitted.

The broken lines illustrate environmental structure that forms no part of the claimed design.

The design is the shape and configuration of an image display device having a generally cylindrical body and an attachable backing portion.

1 Claim, 3 Drawing Sheets



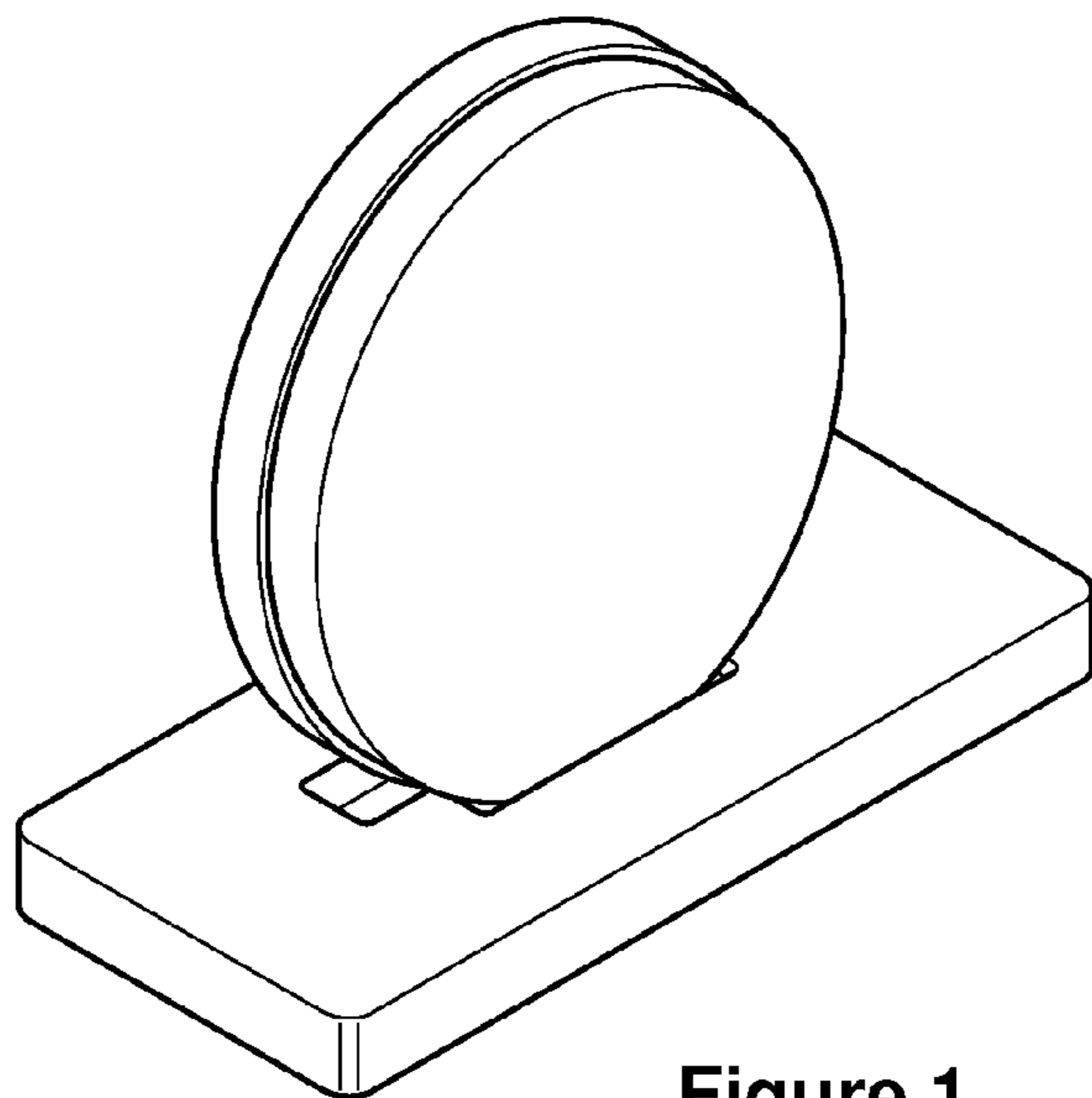


Figure 1

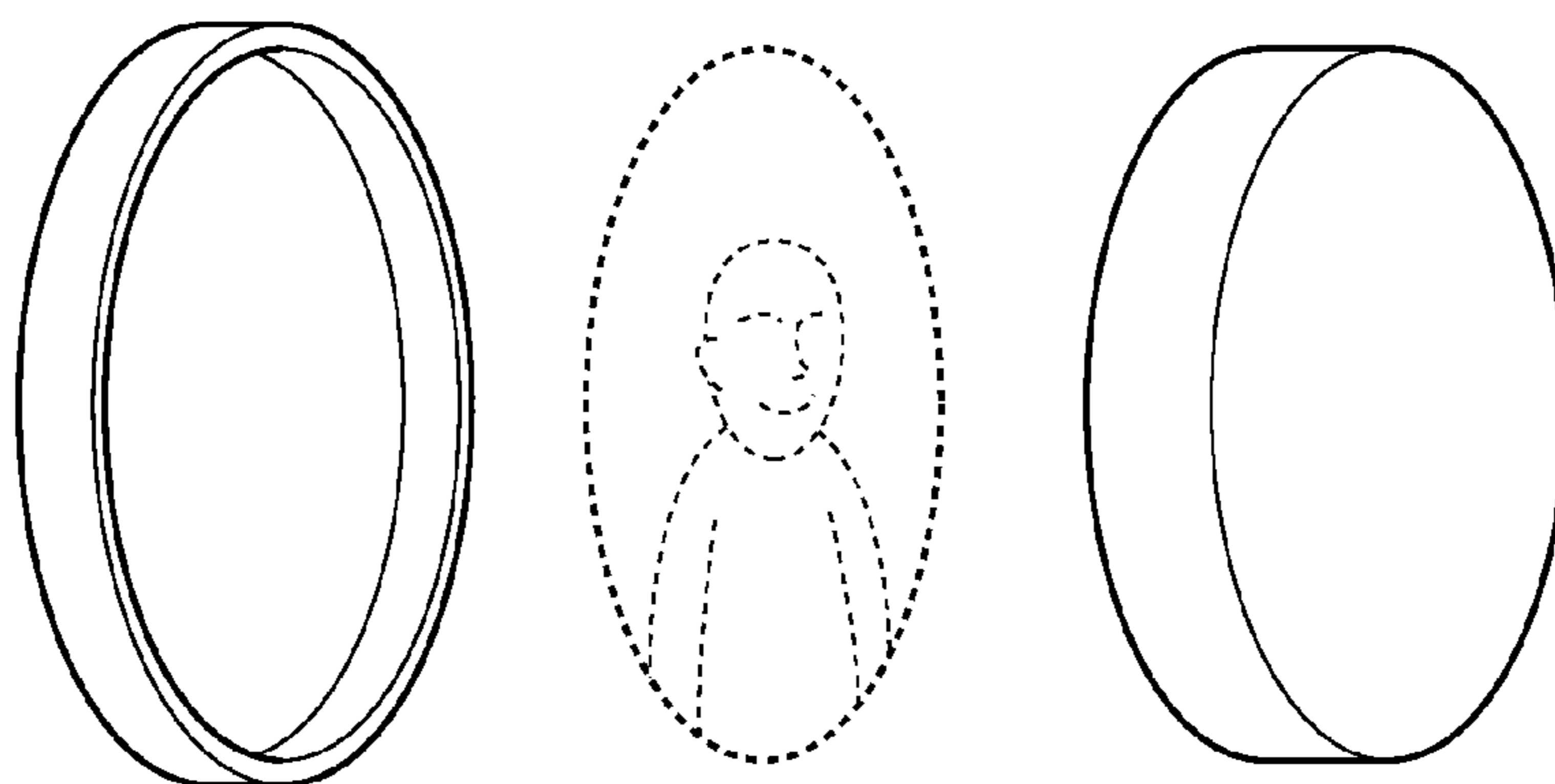


Figure 2

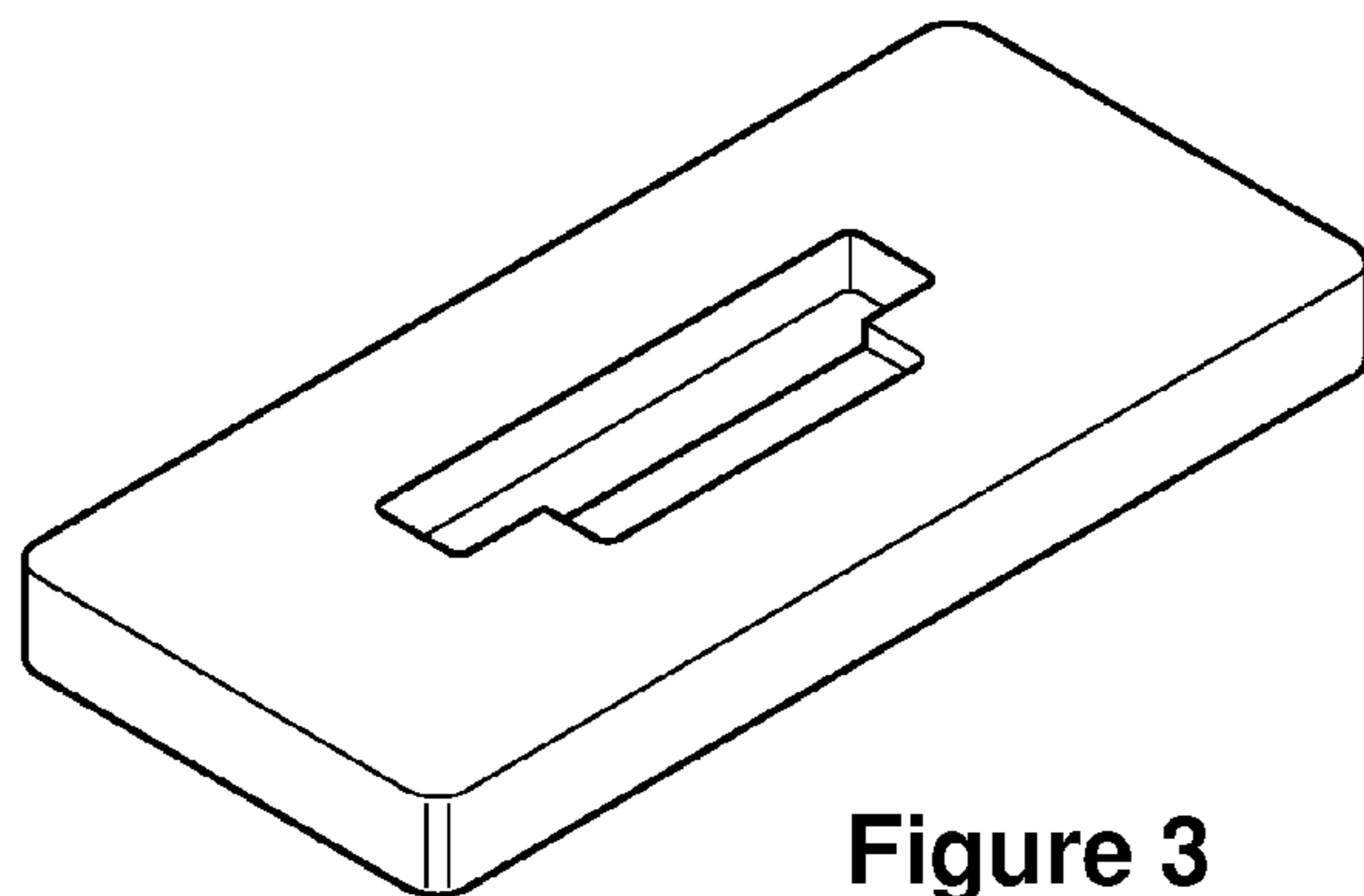


Figure 3

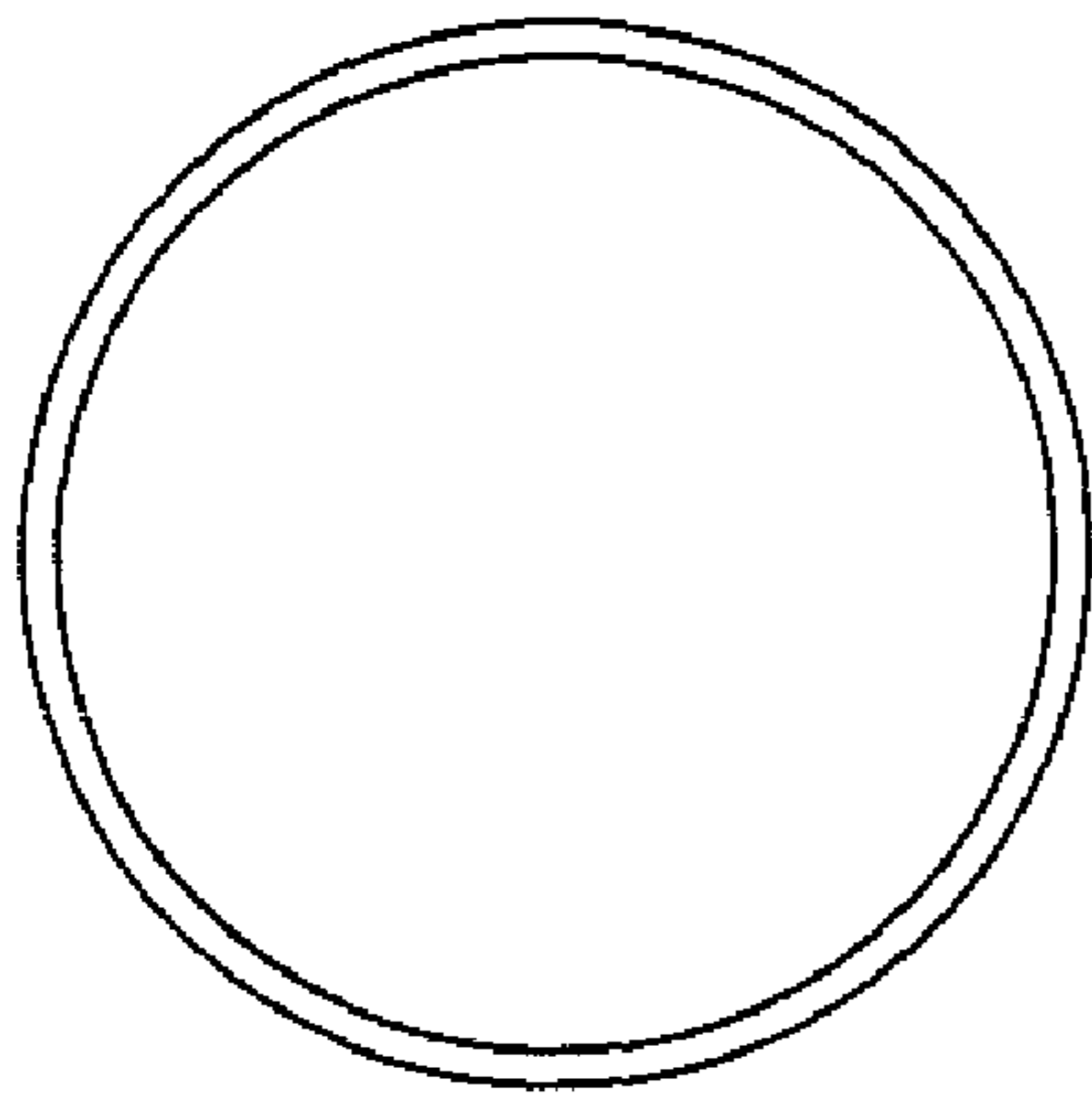


Figure 4



Figure 5

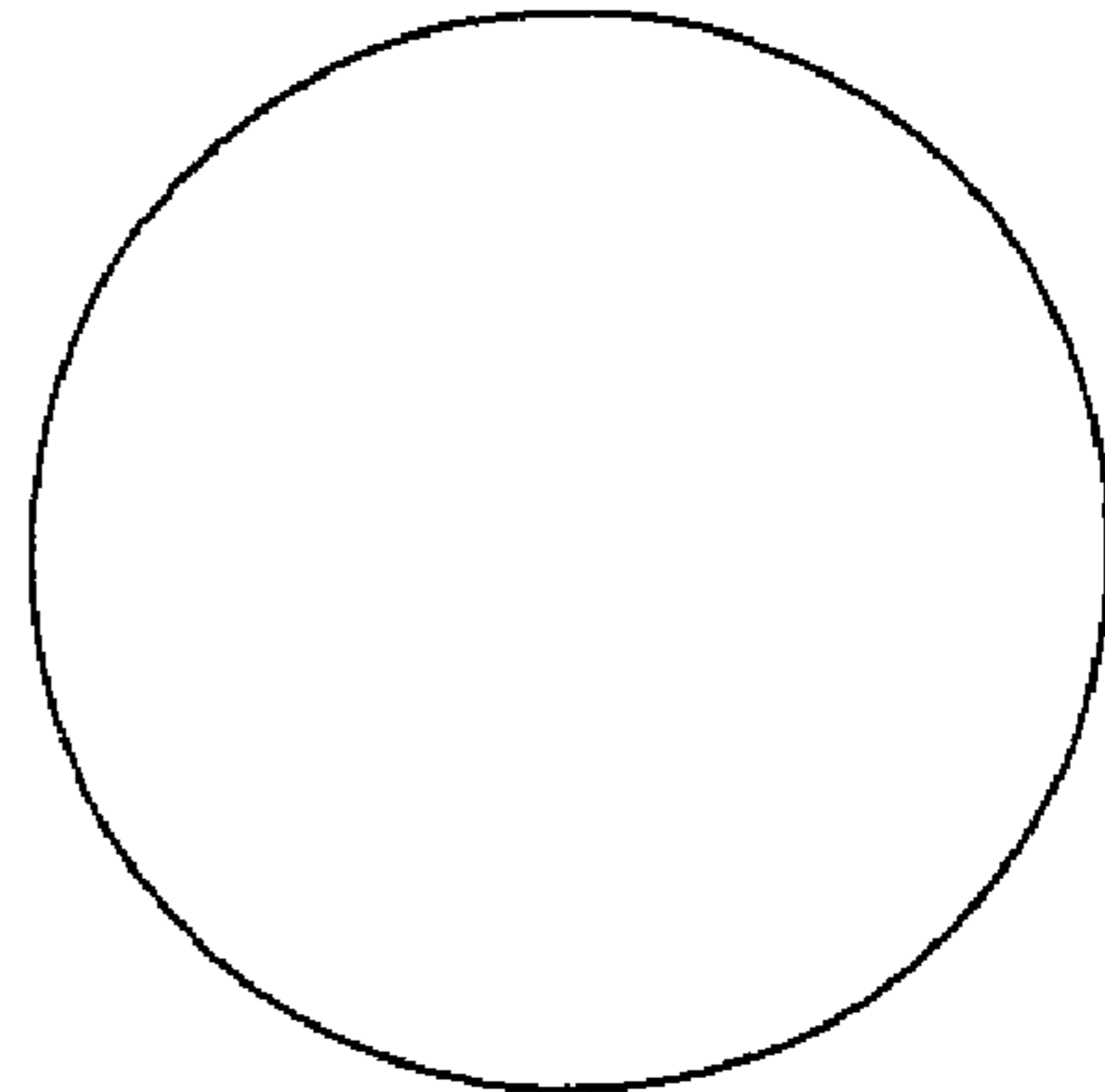


Figure 6

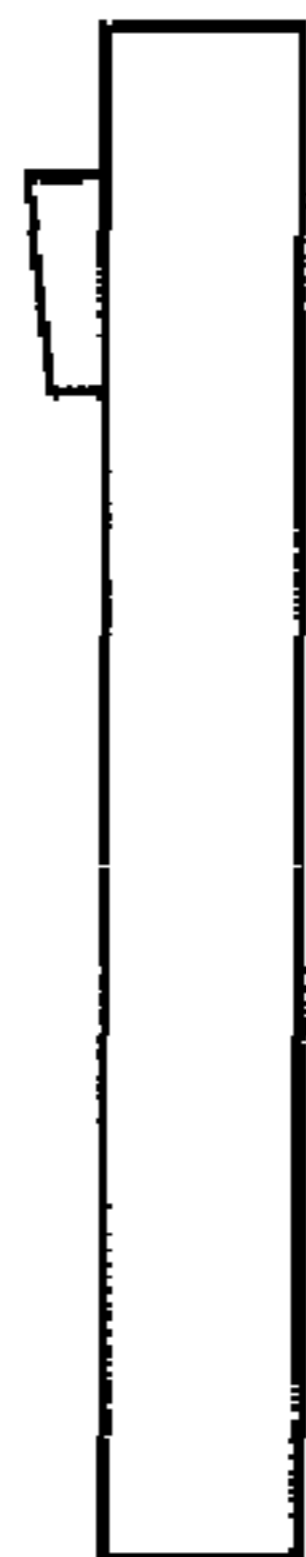


Figure 7

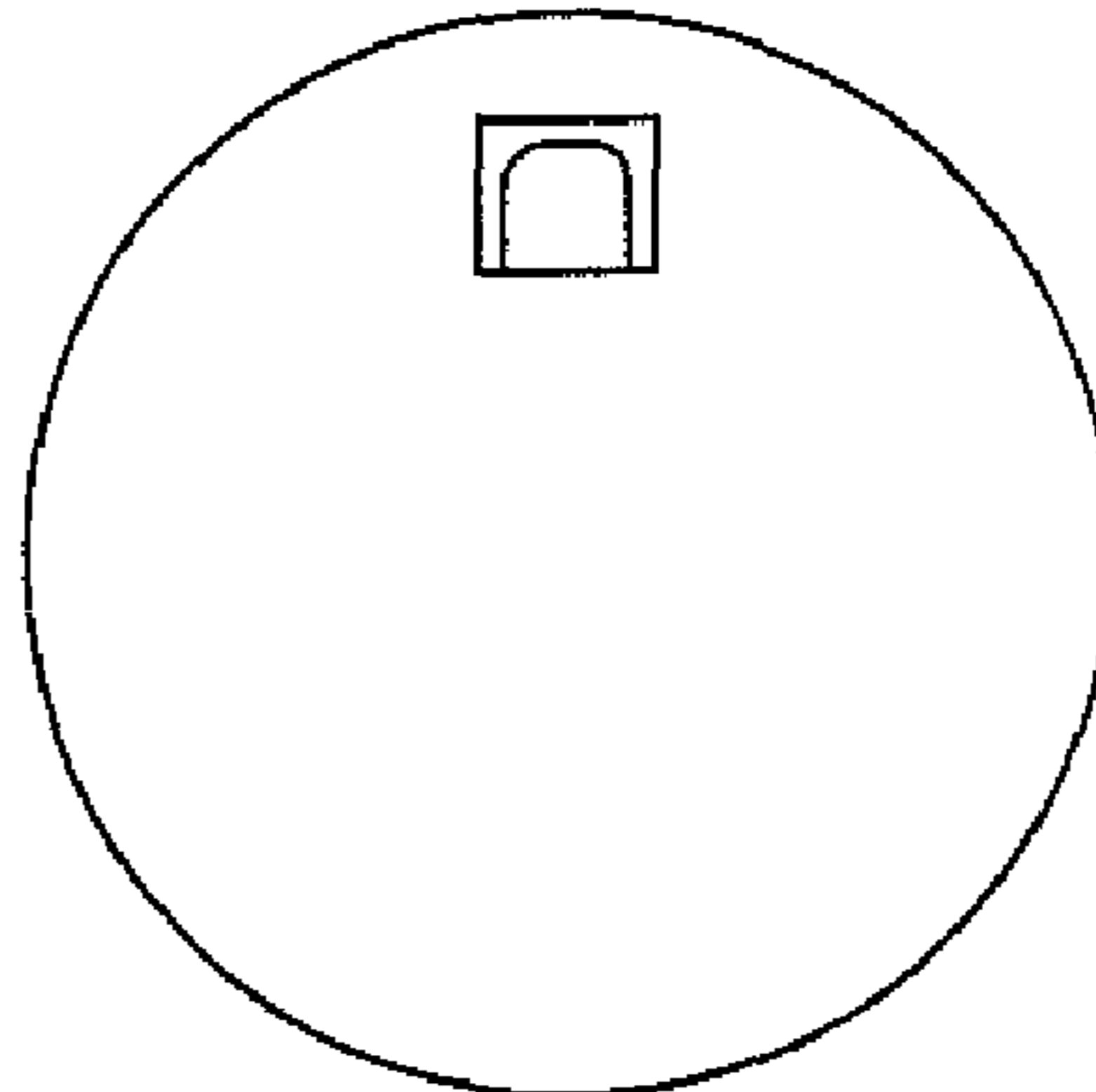


Figure 8

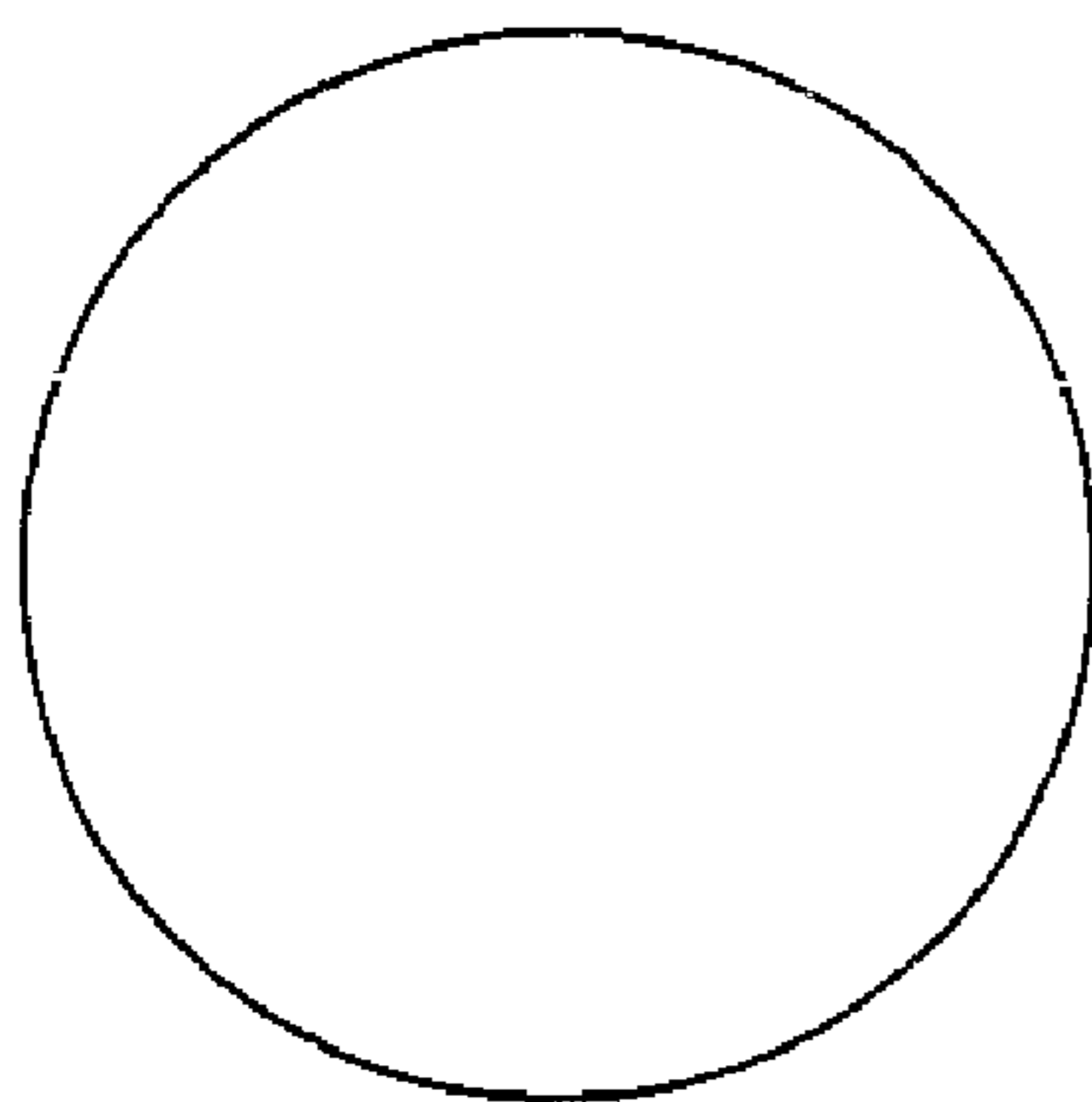


Figure 9

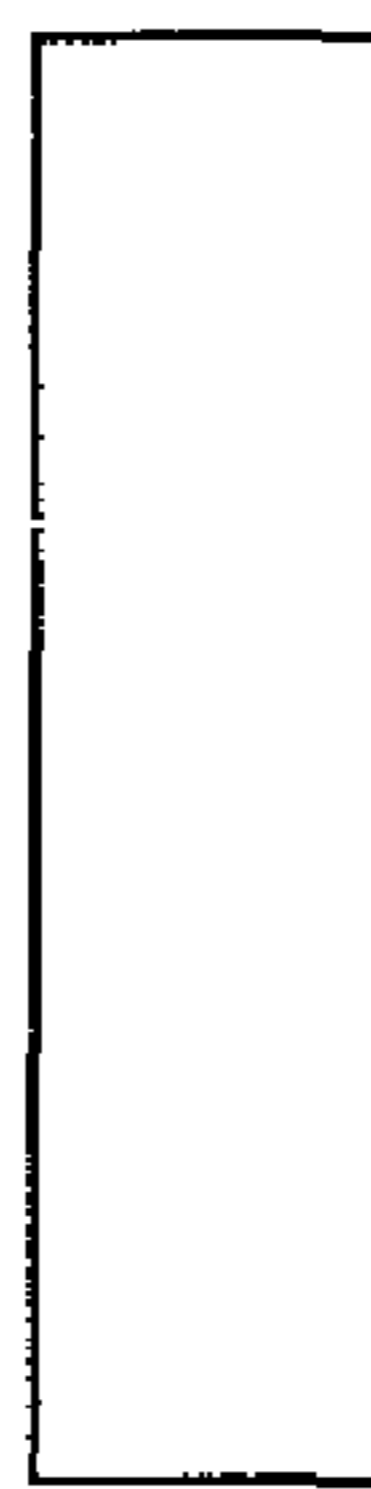


Figure 10

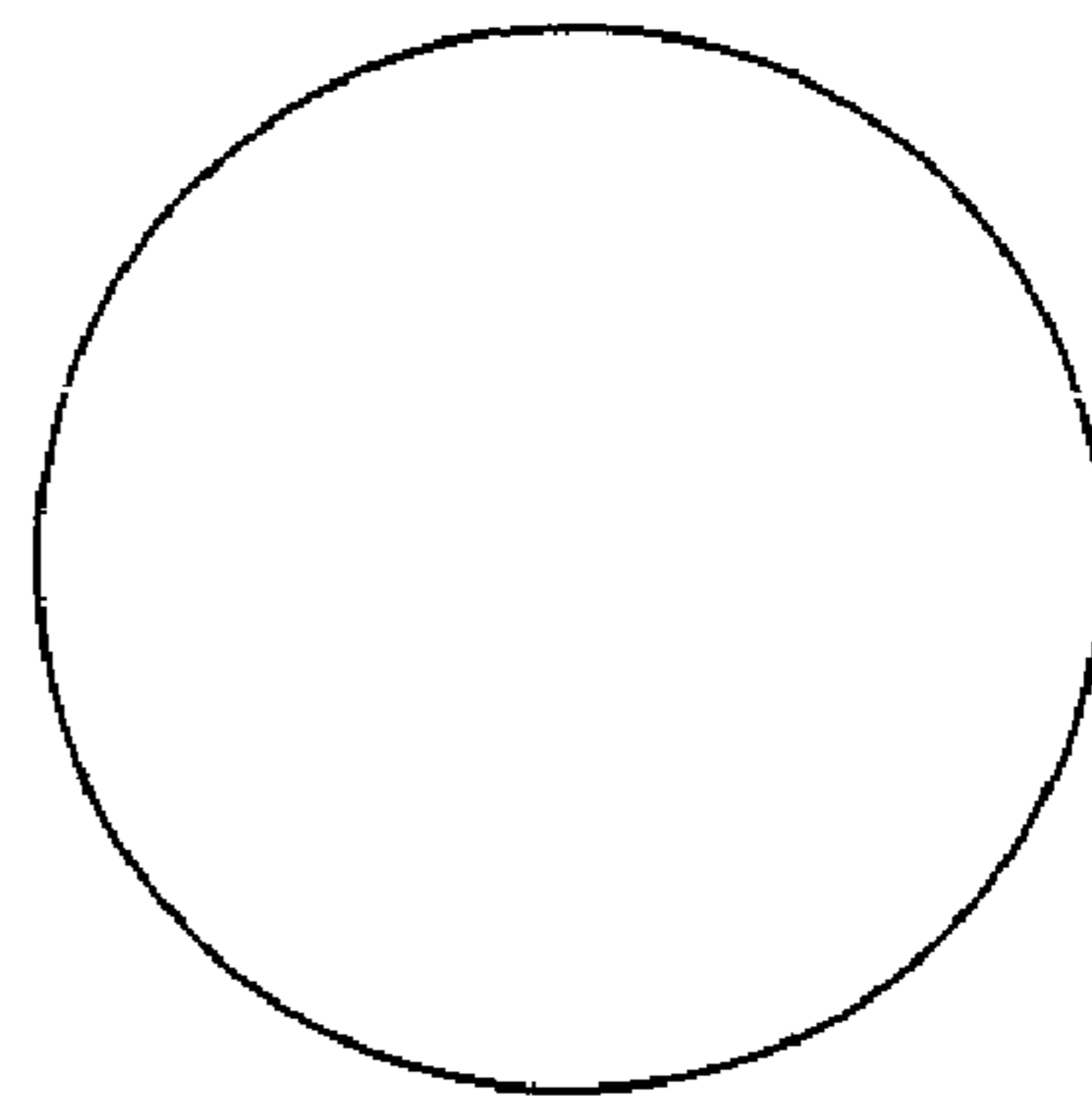


Figure 11

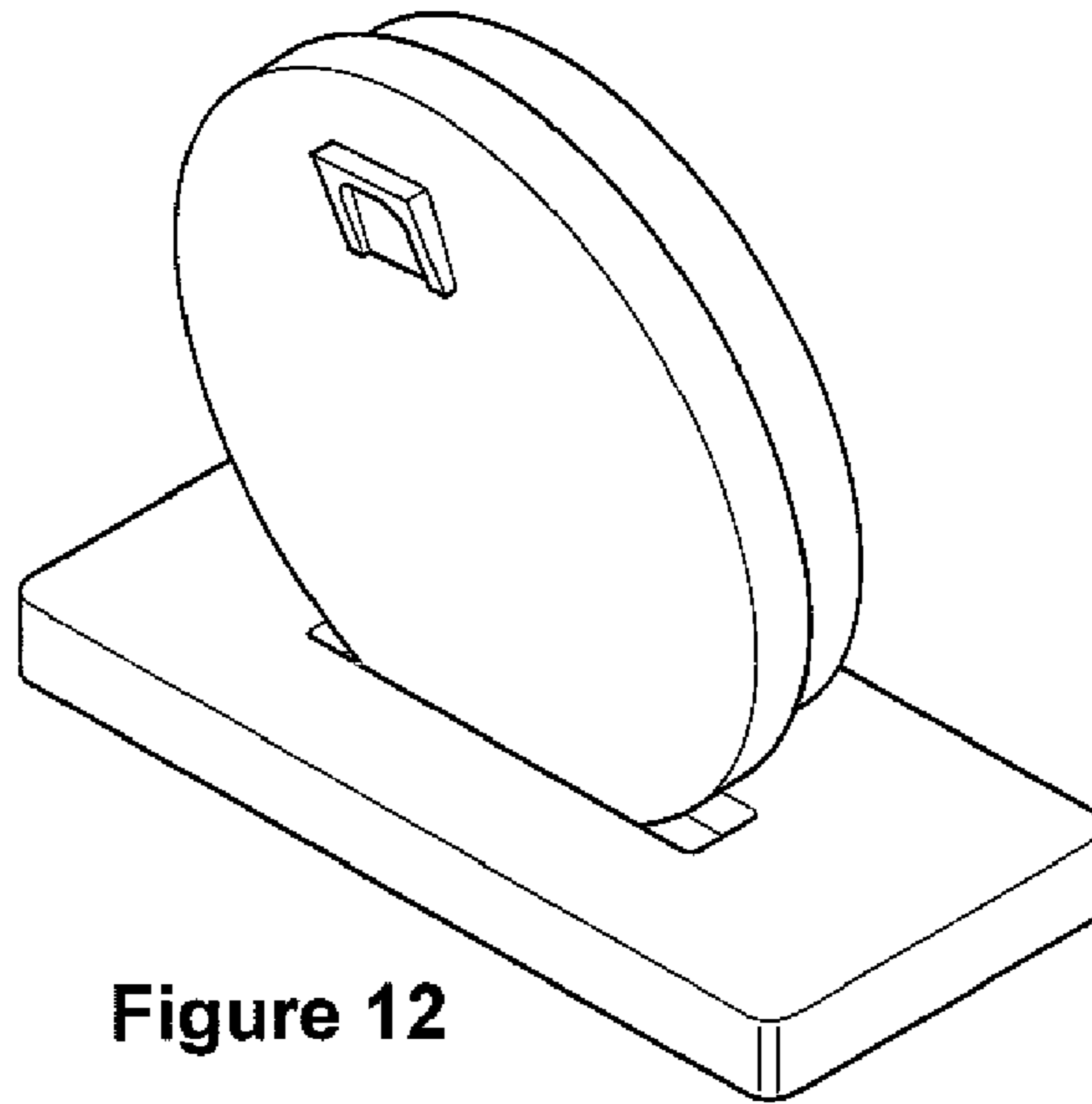


Figure 12

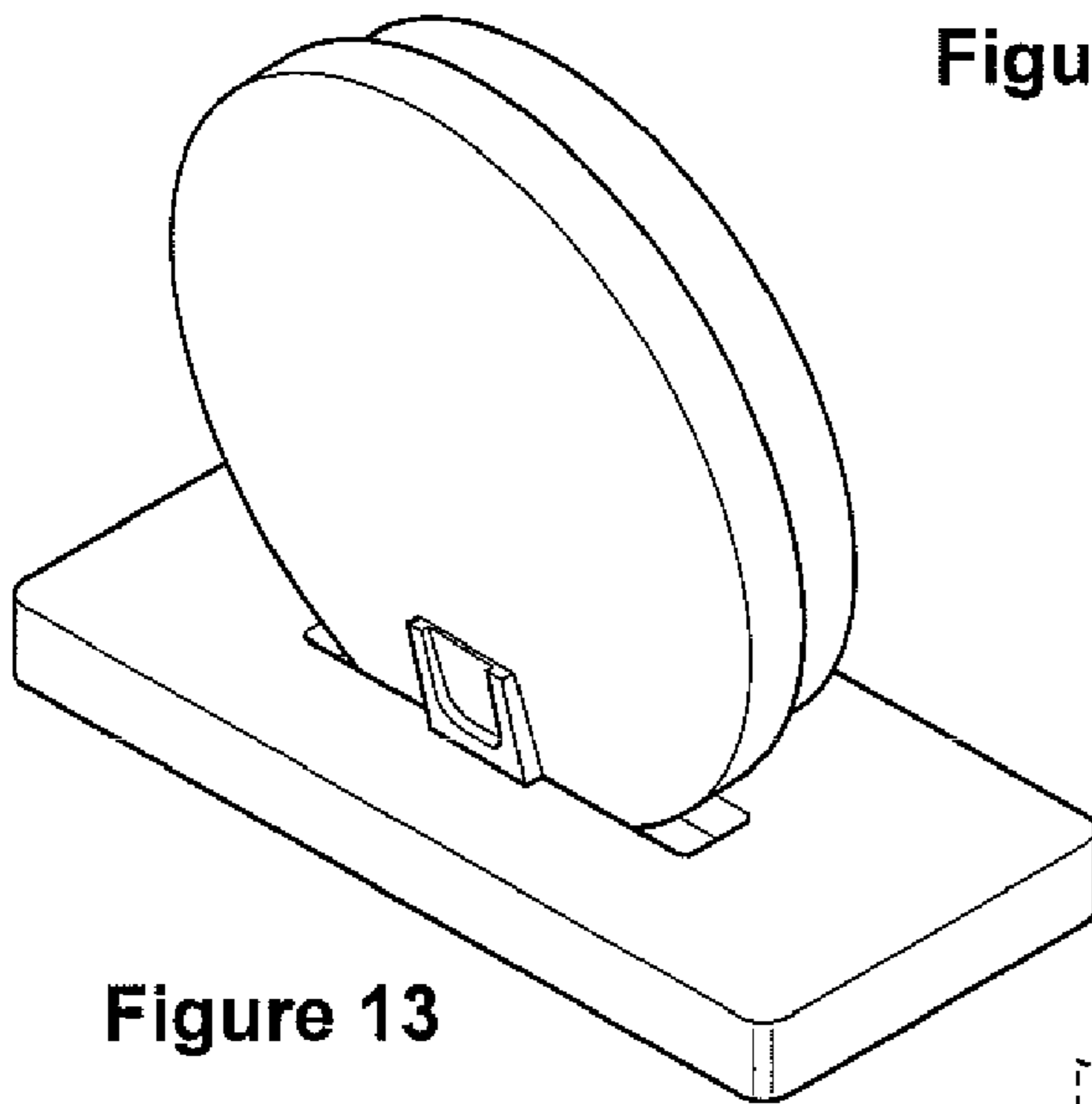


Figure 13

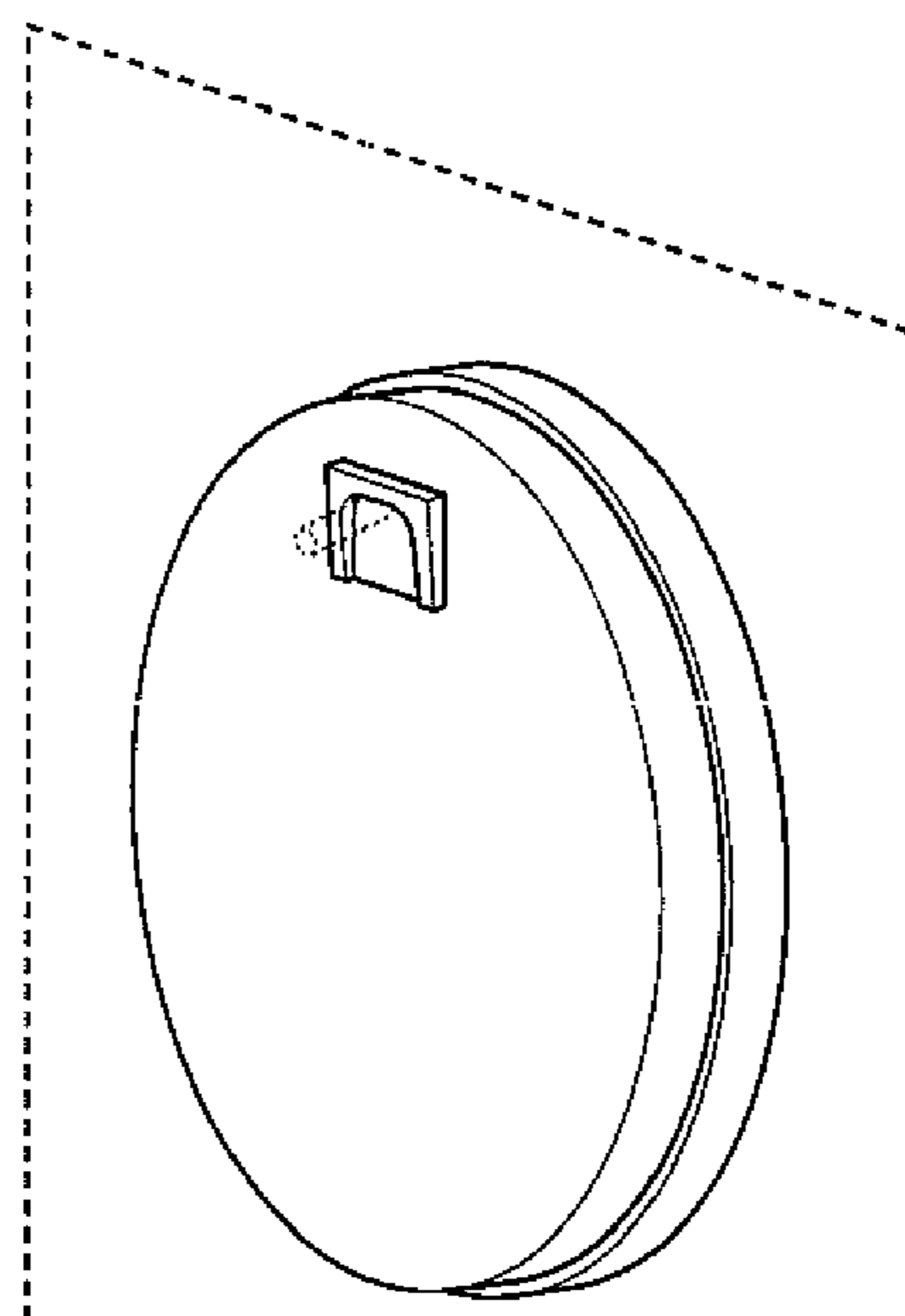


Figure 14