



US00D637404S

(12) **United States Design Patent**
Wang

(10) **Patent No.:** **US D637,404 S**
(45) **Date of Patent:** **** May 10, 2011**

(54) **FOAM PAINT BRUSH HEAD**

FOREIGN PATENT DOCUMENTS

(76) Inventor: **Jay Wang**, Changhua County (TW)

GB 2090730 A * 7/1982

* cited by examiner

(**) Term: **14 Years**

Primary Examiner — Melanie H Tung

(21) Appl. No.: **29/383,555**

Assistant Examiner — Lavone D Tabor

(22) Filed: **Jan. 19, 2011**

(57) **CLAIM**

(51) **LOC (9) Cl.** **04-04**

The ornamental design for a foam paint brush head, as shown and described.

(52) **U.S. Cl.** **D4/137; D4/135**

(58) **Field of Classification Search** D4/114,
D4/137, 132, 135; D32/40, 45, 50, 51; 15/114,
15/118, 208, 209.1, 210.1, 244.1, 244.4;
401/196, 203, 207

DESCRIPTION

See application file for complete search history.

FIG. 1 is a perspective view of a foam paint brush head showing my new design;

FIG. 2 is a front elevational view thereof;

FIG. 3 is a rear elevational view thereof;

FIG. 4 is a left side elevational view thereof;

FIG. 5 is a right side elevational view thereof;

FIG. 6 is a top plan view thereof;

FIG. 7 is a bottom plan view thereof; and,

FIG. 8 is a reduced front view showing environmental structure.

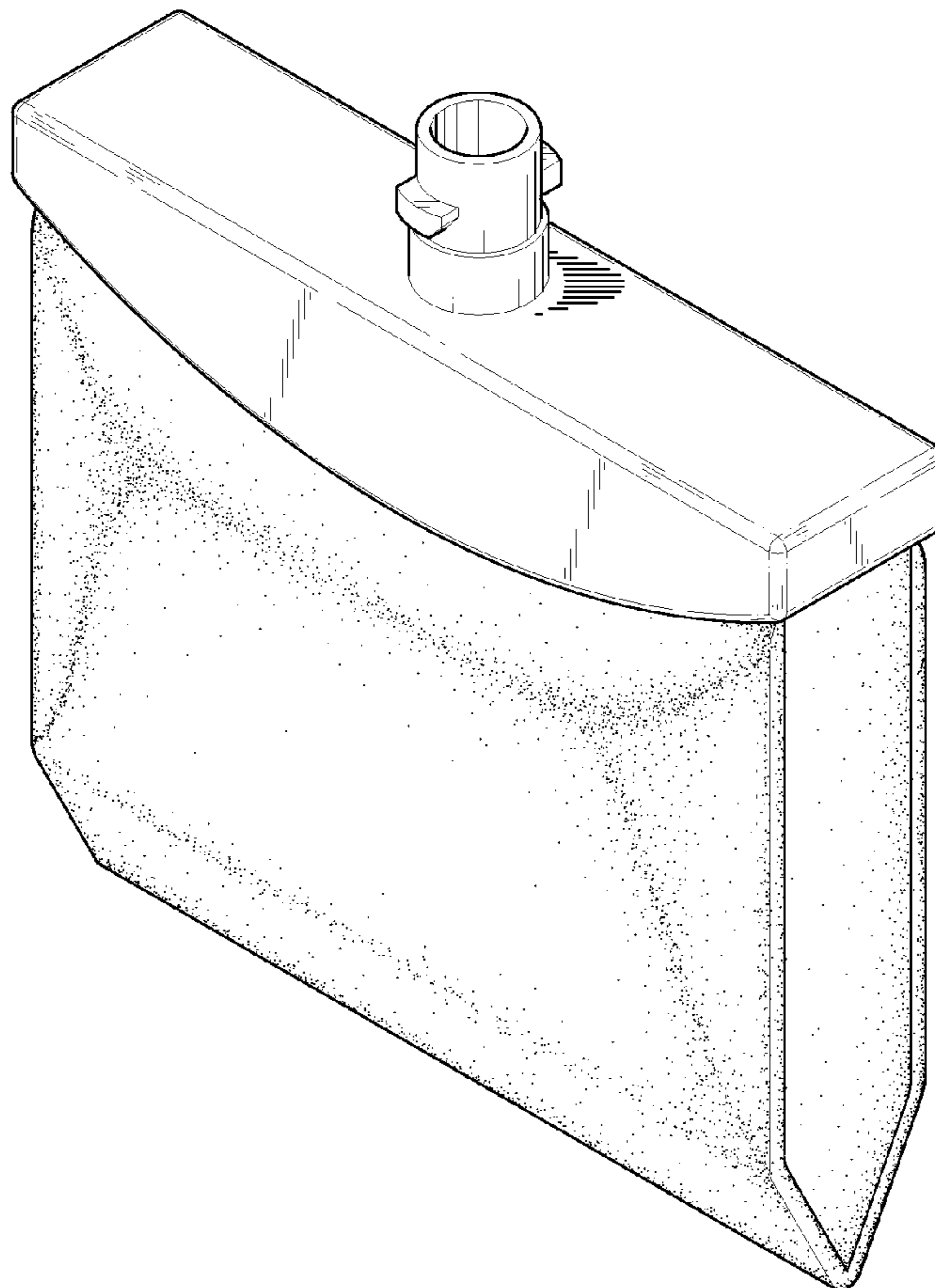
The broken lines are shown for illustrative purposes only and form no part of the claimed design.

(56) **References Cited**

U.S. PATENT DOCUMENTS

D181,211	S	*	10/1957	Lindstrom	D32/50
2,962,746	A	*	12/1960	Heroy, Jr. et al.	15/244.1
3,081,475	A	*	3/1963	Vosbikian et al.	15/244.1
3,134,124	A	*	5/1964	Horn	15/244.1
3,353,203	A	*	11/1967	Ginter	15/244.1
3,797,062	A	*	3/1974	LoCicero et al.	15/244.1
D287,539	S	*	12/1986	Wilson et al.	D32/50
4,856,136	A	*	8/1989	Janssen	15/244.3
D353,941	S	*	1/1995	O'Hearn	D4/137

1 Claim, 7 Drawing Sheets



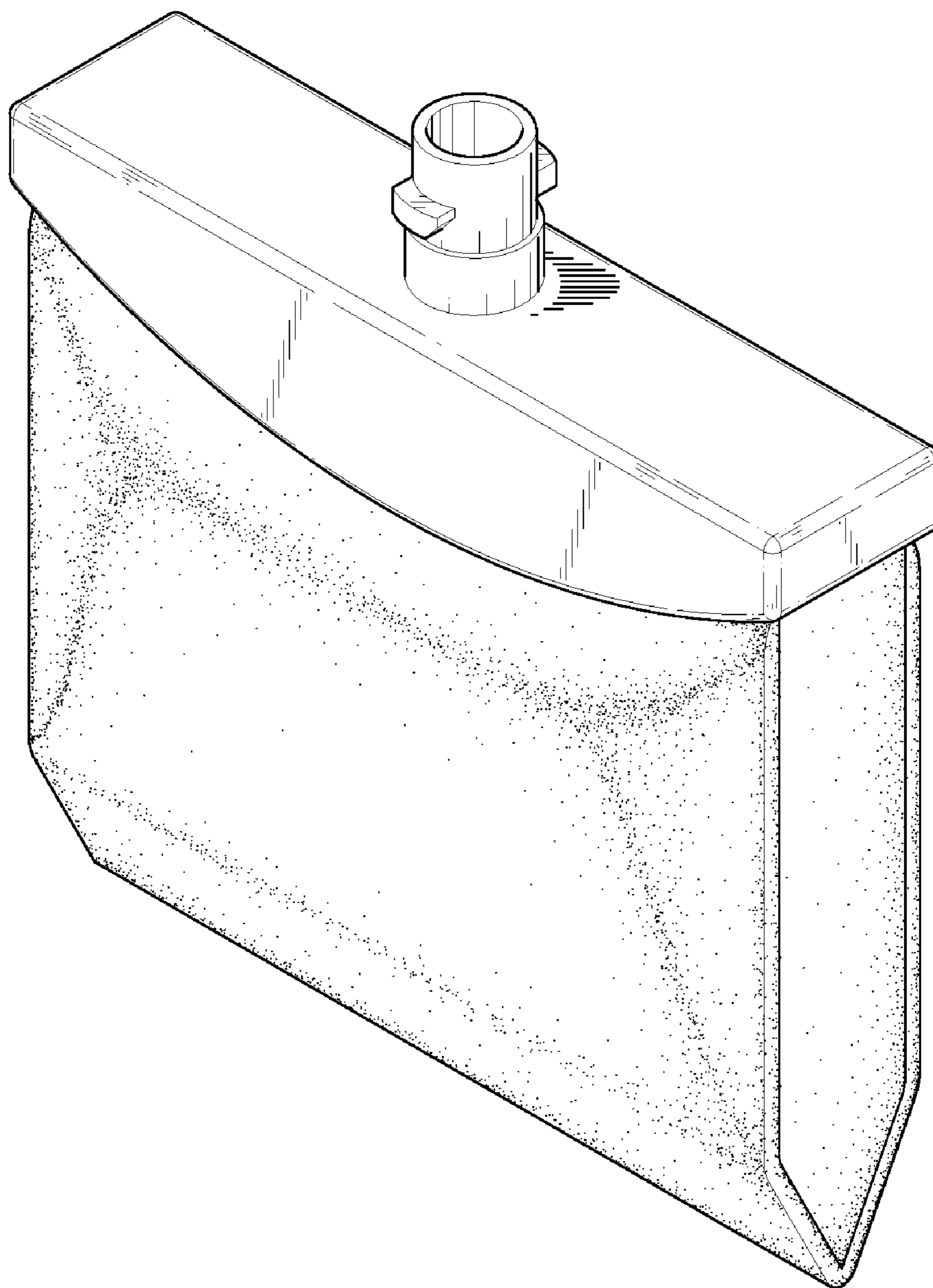


FIG. 1

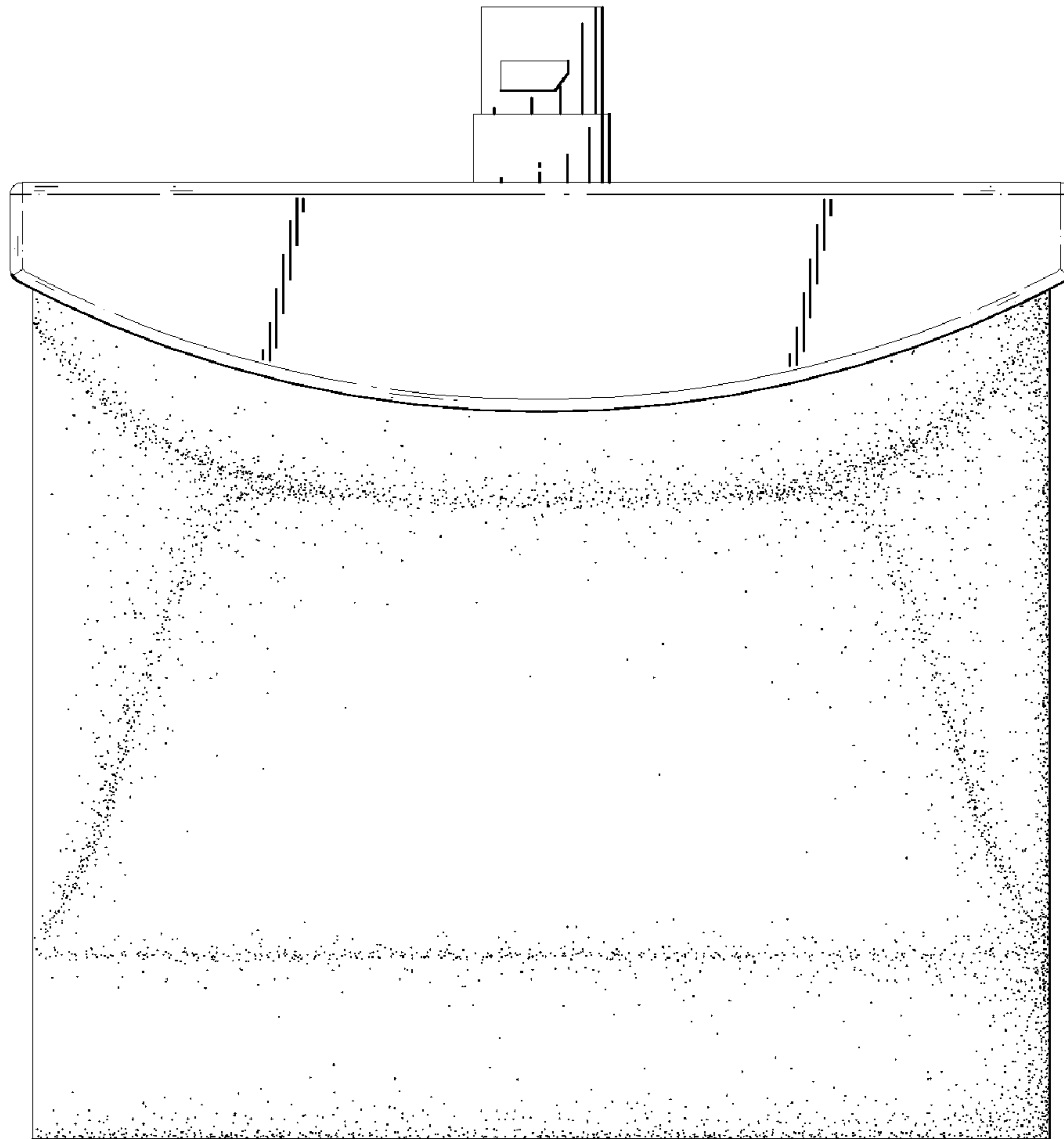


FIG. 2

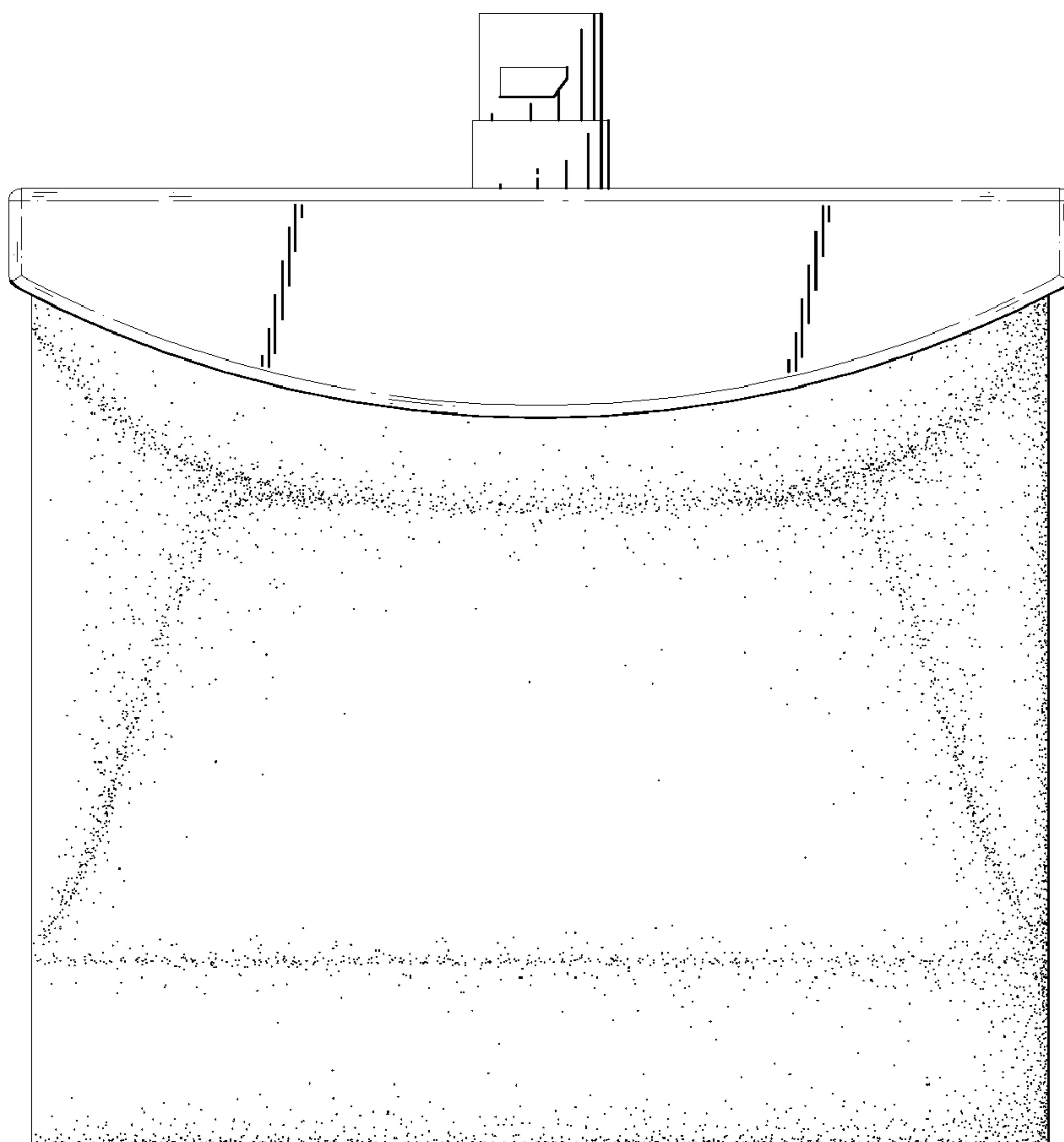


FIG. 3

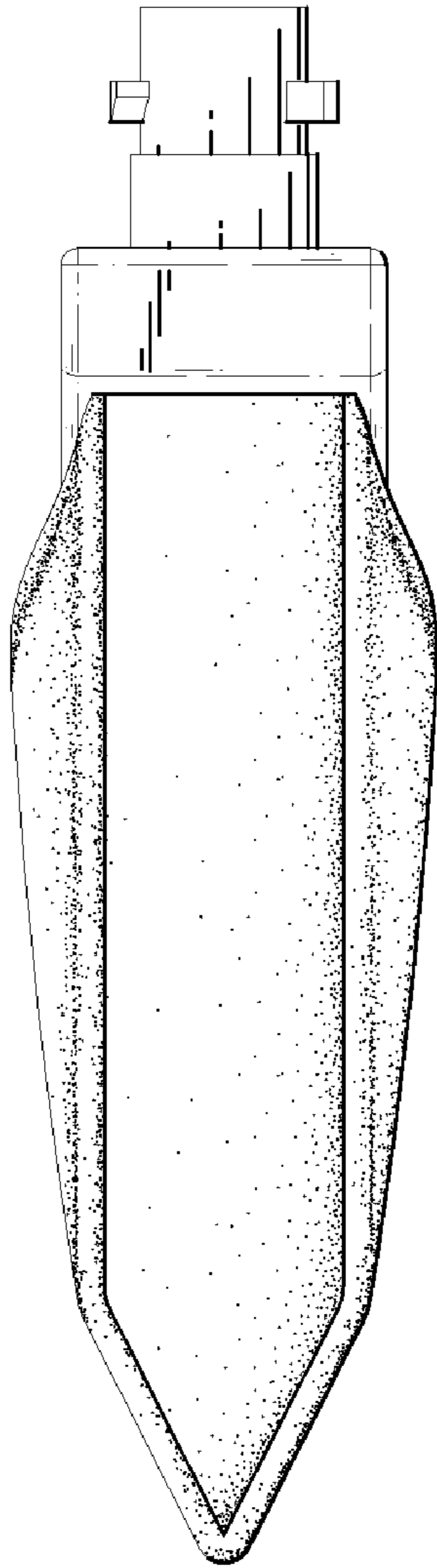


FIG. 4

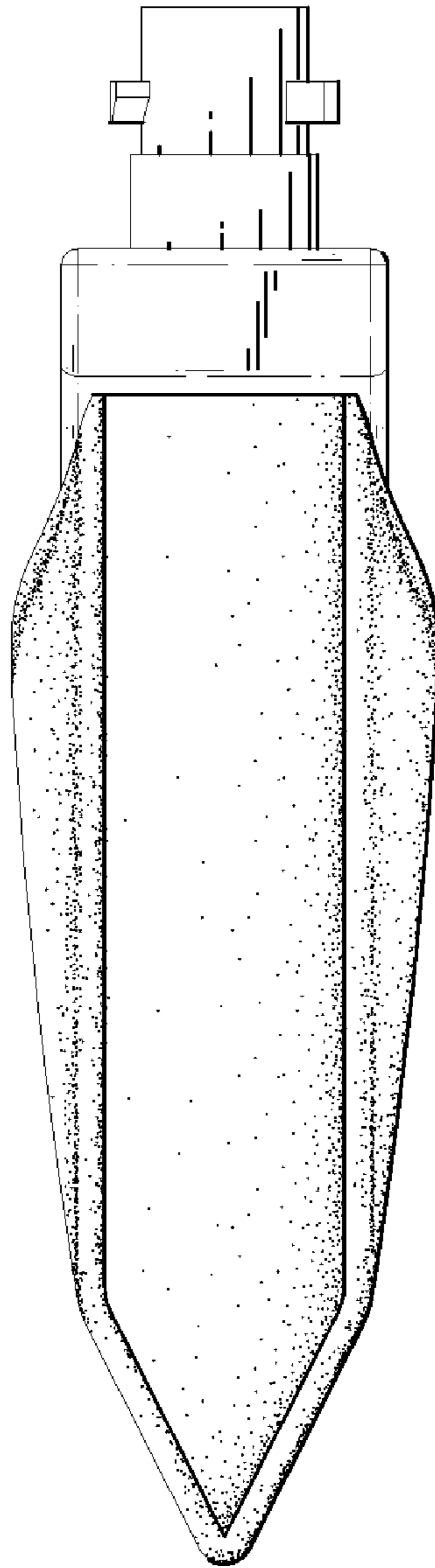


FIG. 5

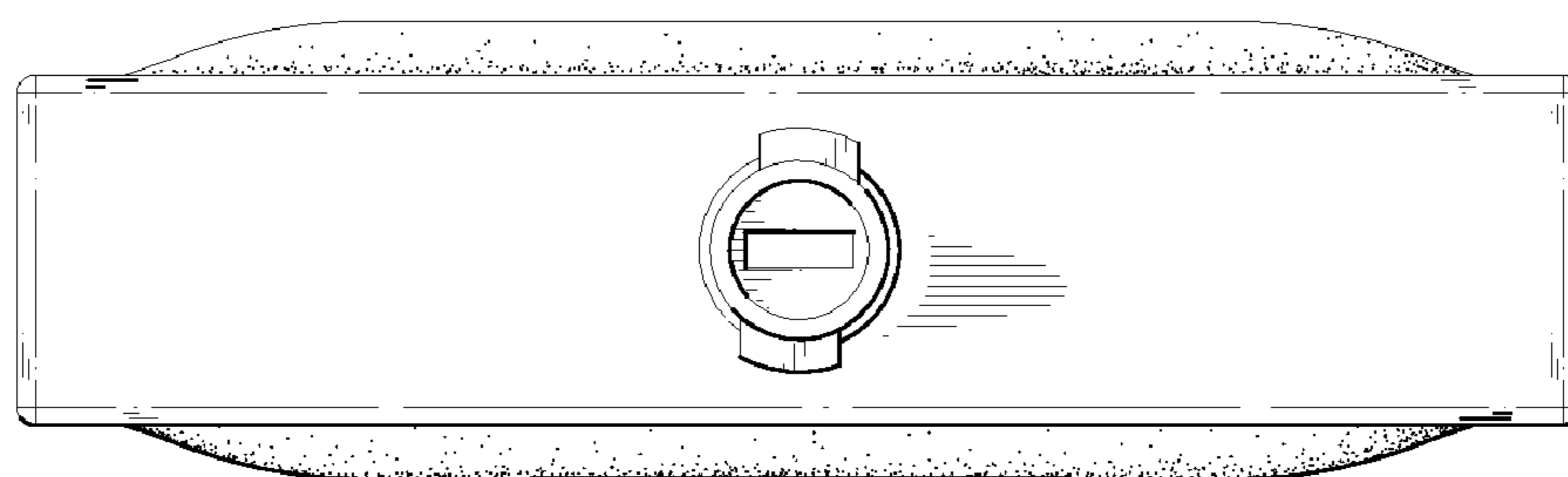


FIG. 6

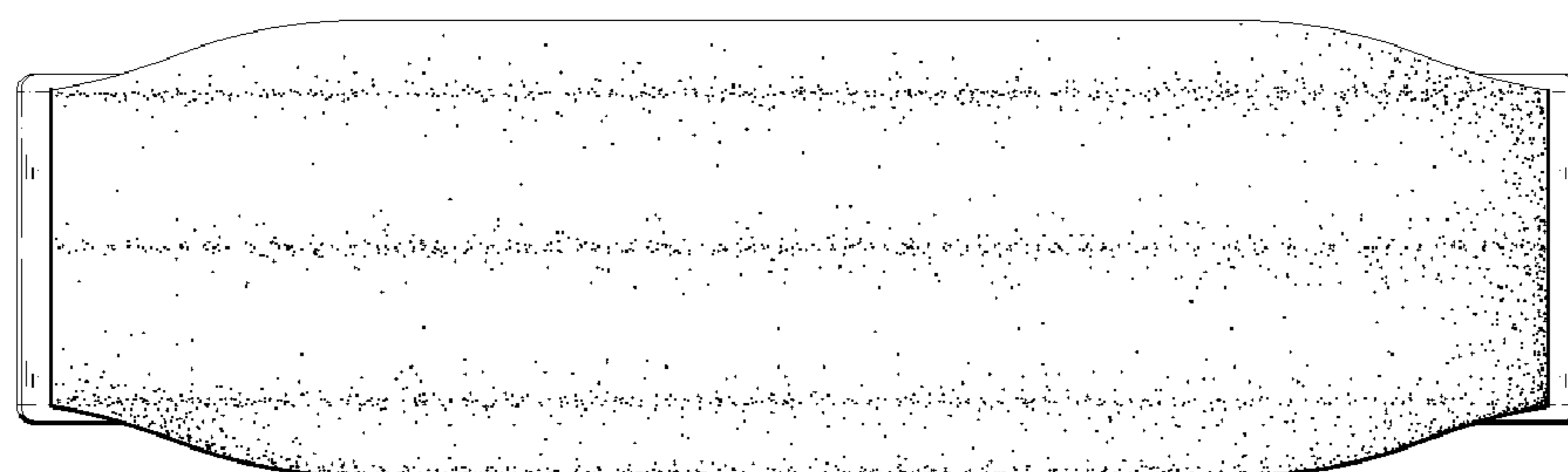


FIG. 7

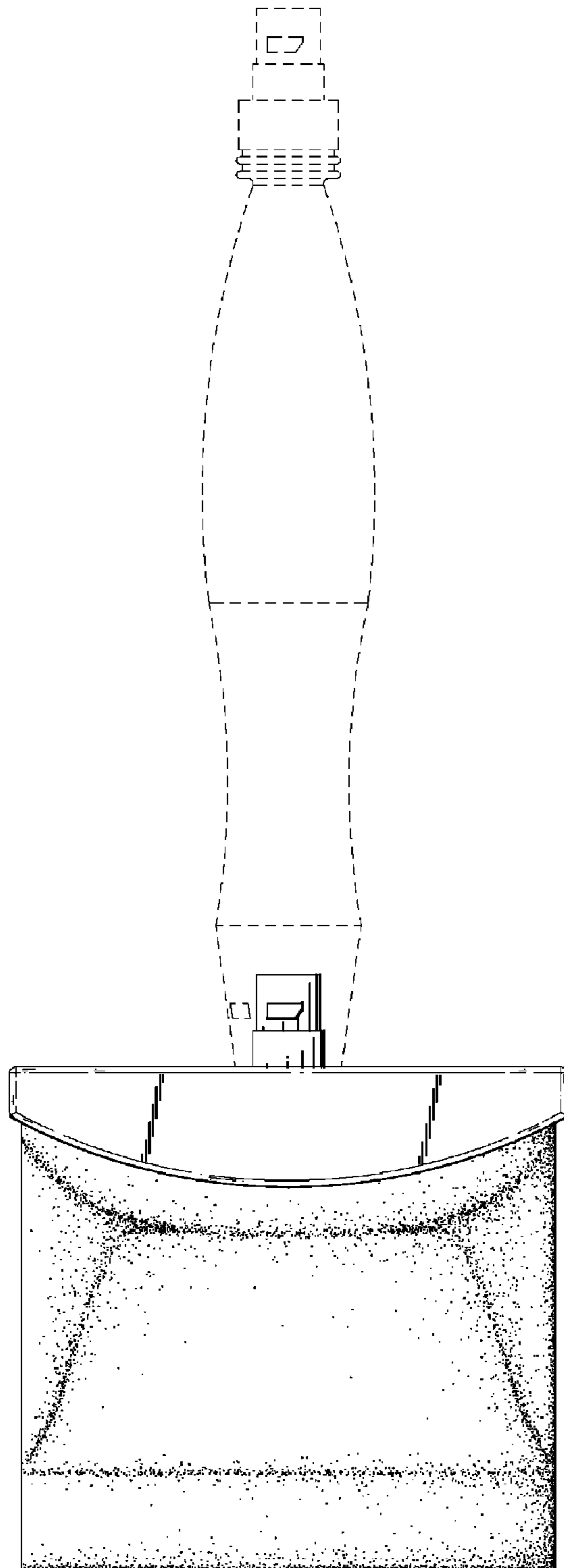


FIG. 8