



US00D637403S

(12) **United States Design Patent**
Schmidt

(10) **Patent No.:** **US D637,403 S**

(45) **Date of Patent:** **** May 10, 2011**

(54) **LINT ROLLER HANDLE**

(75) Inventor: **Mark S. Schmidt**, Evans, GA (US)

(73) Assignee: **Evercare Company**, Alpharetta, GA (US)

(**) Term: **14 Years**

(21) Appl. No.: **29/358,175**

(22) Filed: **Mar. 23, 2010**

(51) **LOC (9) Cl.** **04-01**

(52) **U.S. Cl.** **D4/122**

(58) **Field of Classification Search** D4/122,
D4/199; 15/27, 104.002, 230.11; 492/13,
492/16-19

See application file for complete search history.

(56) **References Cited**

U.S. PATENT DOCUMENTS

3,343,194	A *	9/1967	Ramelson	15/104.002
D273,059	S *	3/1984	McKay	D4/122
6,763,977	B2 *	7/2004	McKay	222/192
D552,356	S *	10/2007	Newbould et al.	D4/122
7,281,288	B1 *	10/2007	McKay	15/144.2

7,665,175	B2 *	2/2010	Jewell	15/104.002
7,744,975	B2 *	6/2010	Thiele et al.	428/40.1
7,856,690	B2 *	12/2010	Tuman et al.	15/104.002

* cited by examiner

Primary Examiner — Melanie H Tung

Assistant Examiner — Lavone D Tabor

(74) *Attorney, Agent, or Firm* — DLA Piper LLP (US)

(57) **CLAIM**

The ornamental design for a lint roller handle, as shown and described.

DESCRIPTION

FIG. 1 is a perspective view of a lint roller handle showing the new design;

FIG. 2 is a top view thereof;

FIG. 3 is bottom view thereof;

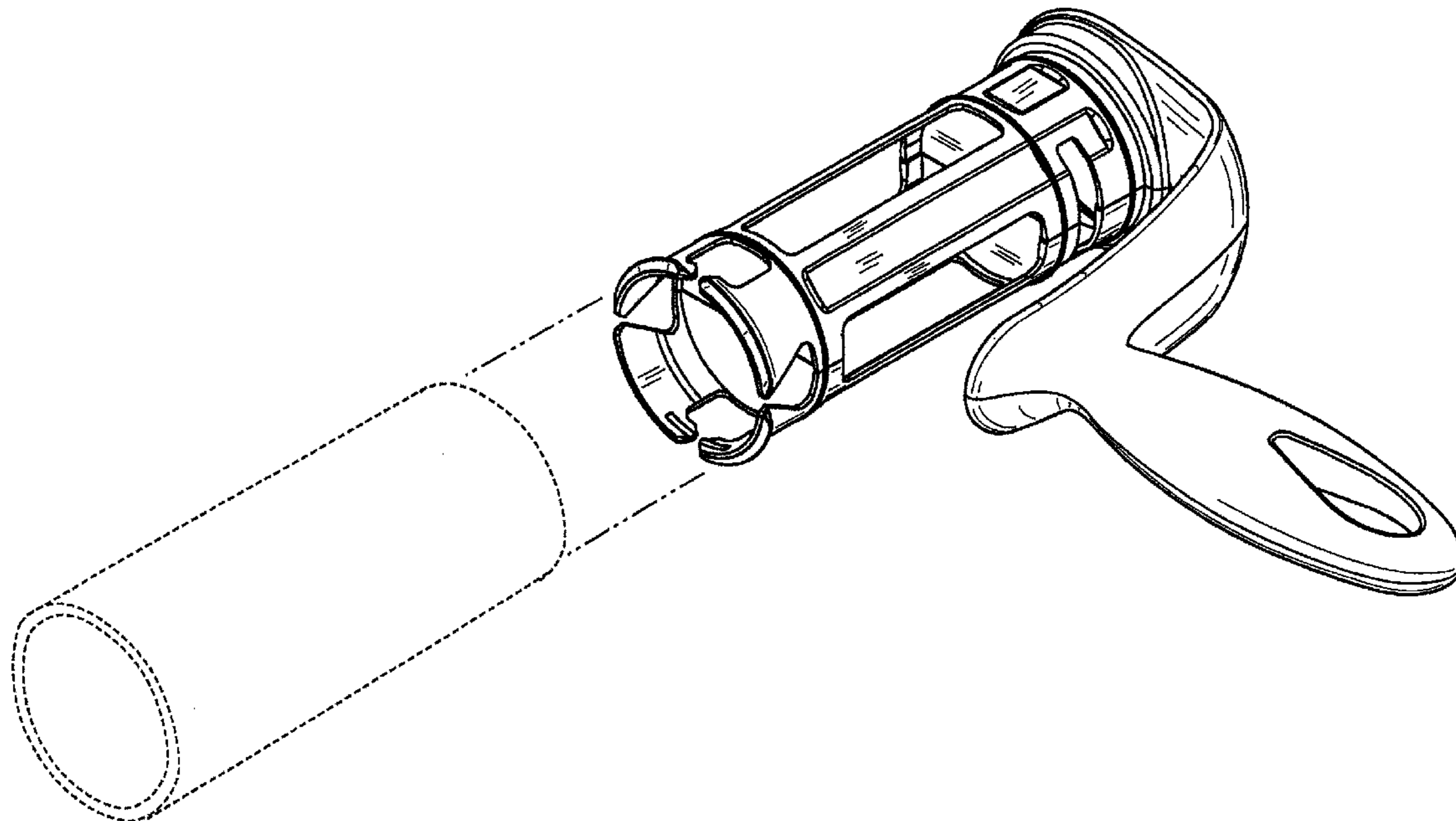
FIG. 4 is a front view thereof, the back being a mirror image of this view;

FIG. 5 is a side view thereof; and,

FIG. 6 is an opposing side view thereof.

The broken lines illustrated in FIG. 1 represent environmental structure, which is not considered a part of the claimed design.

1 Claim, 3 Drawing Sheets



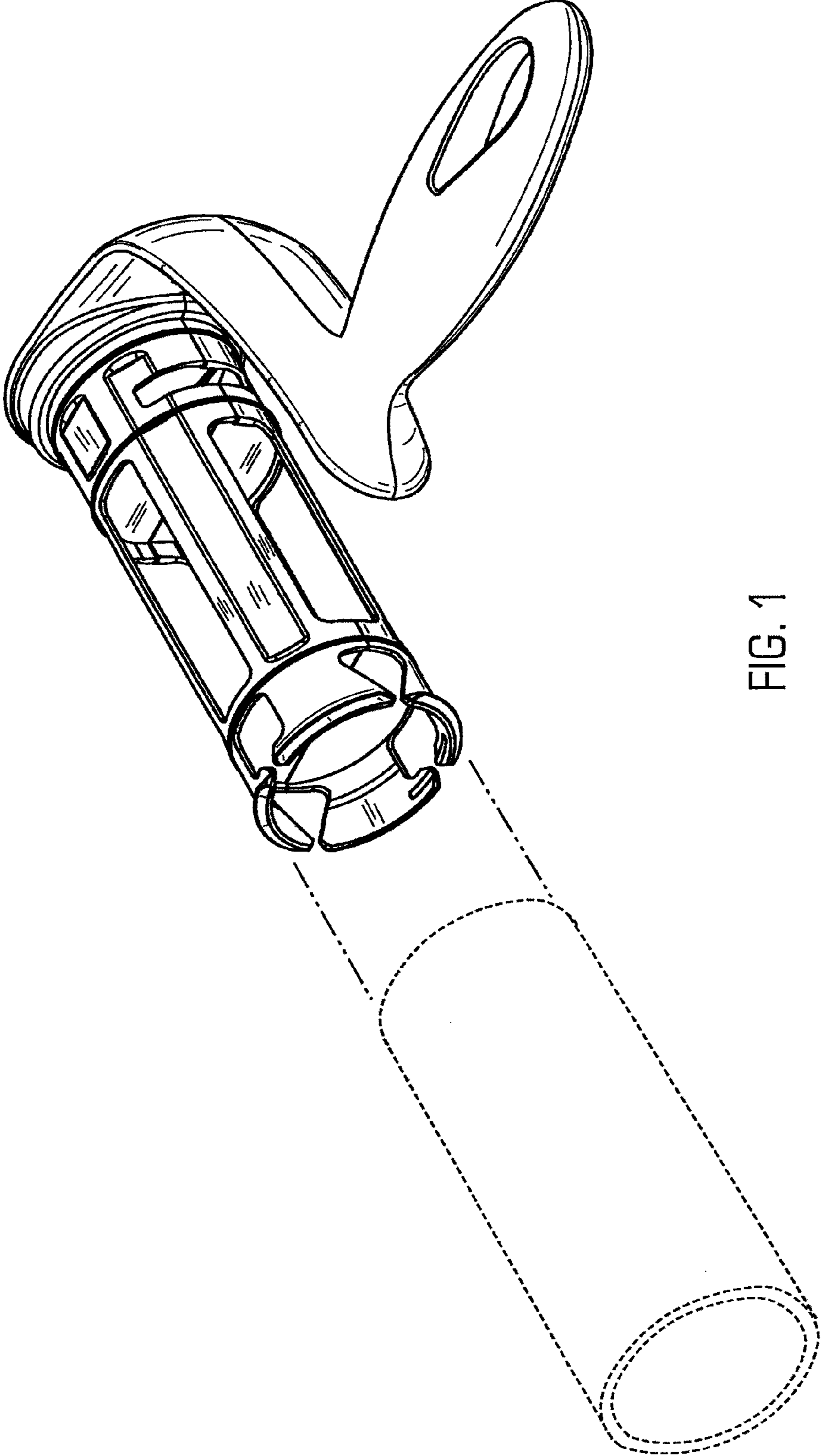


FIG. 1

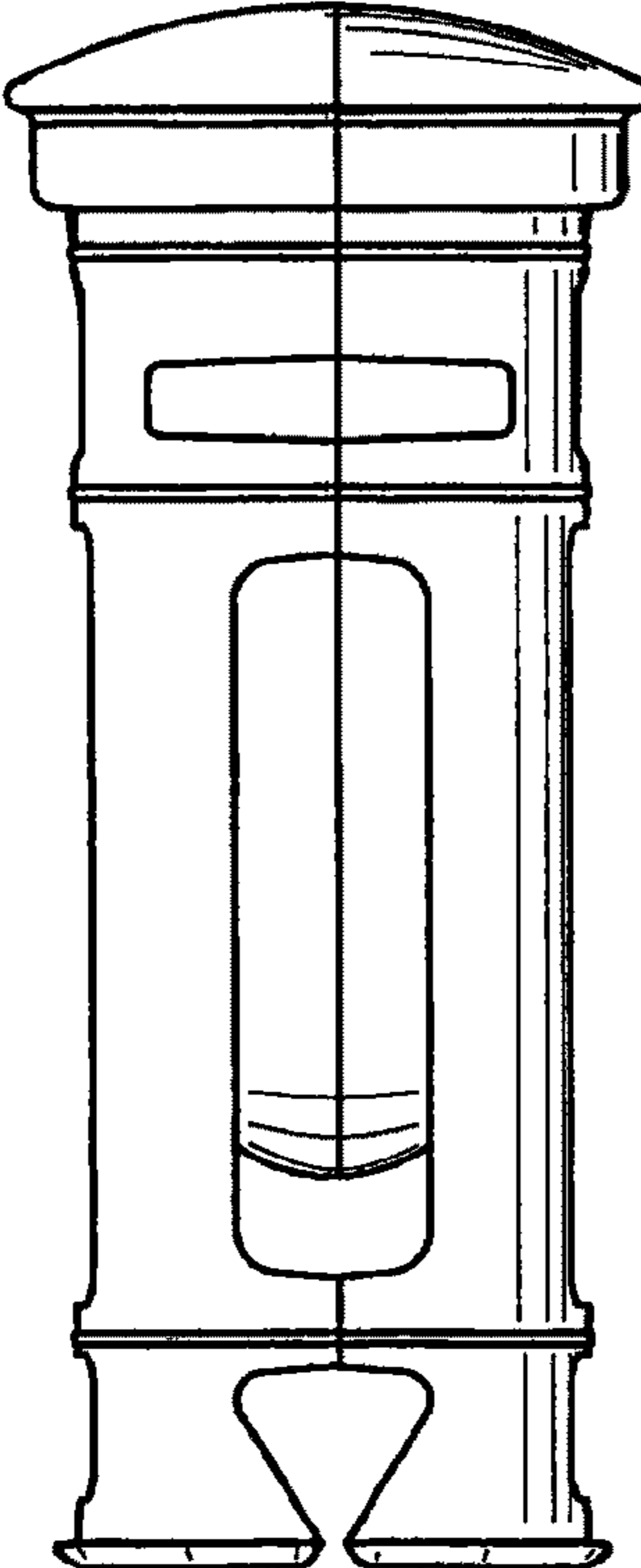


FIG. 2

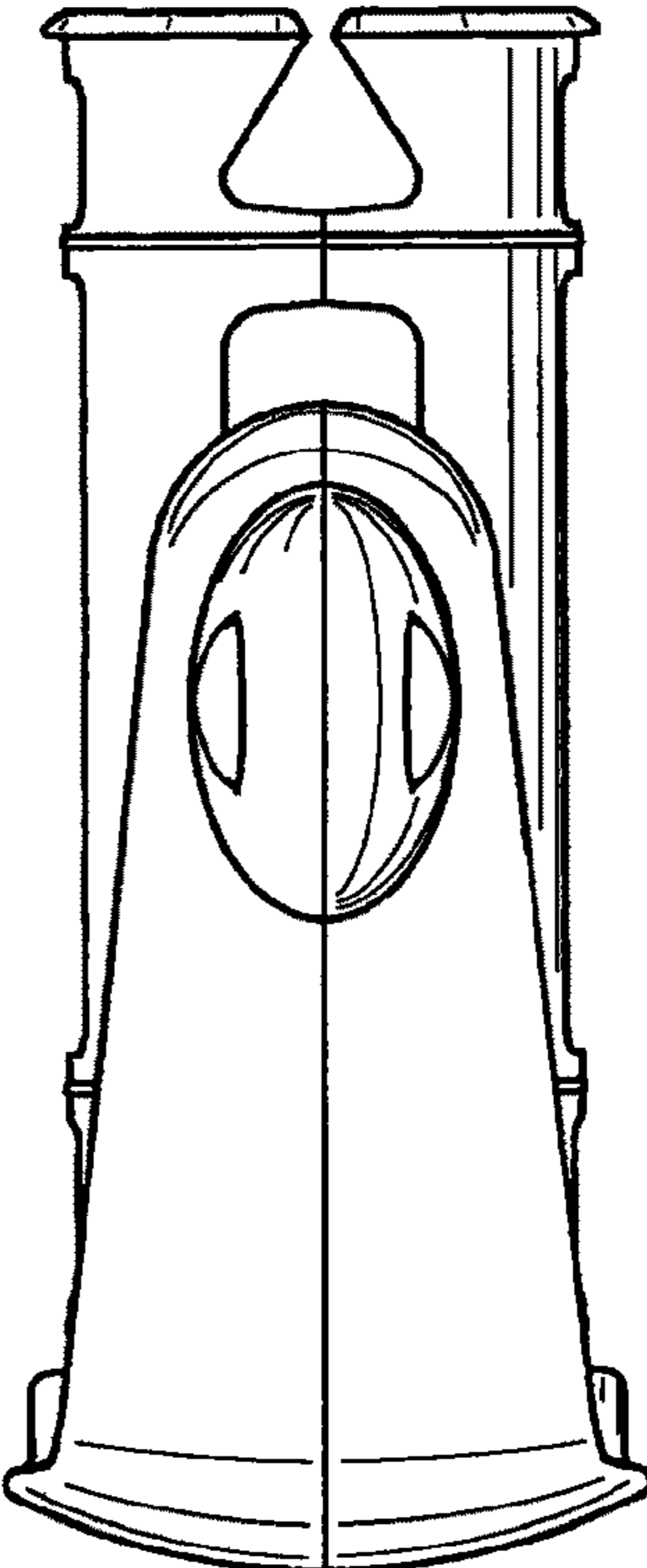


FIG. 3

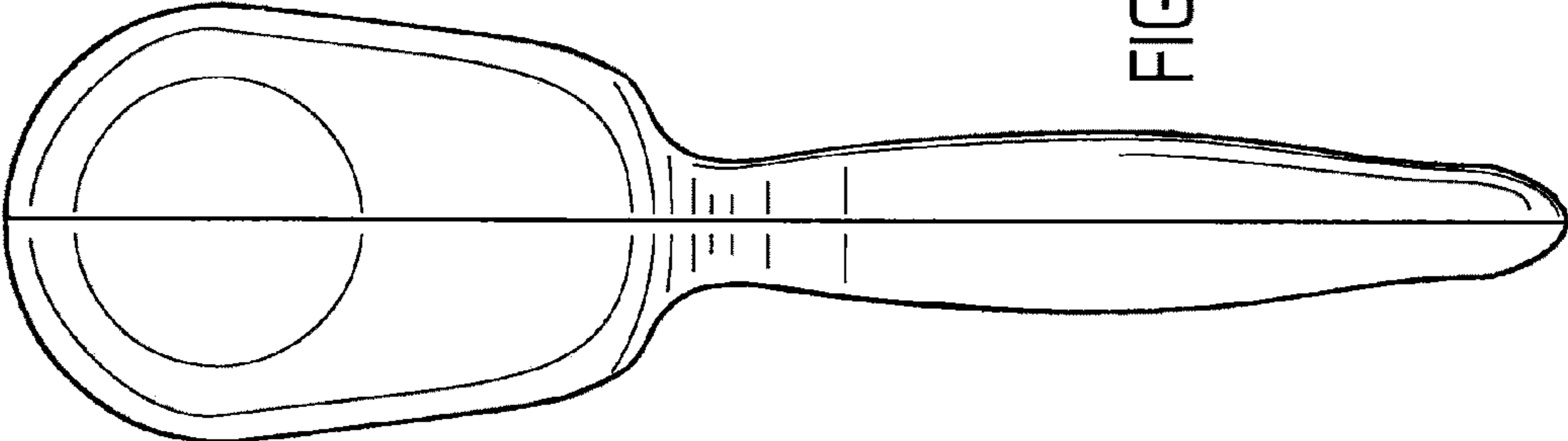


FIG. 6

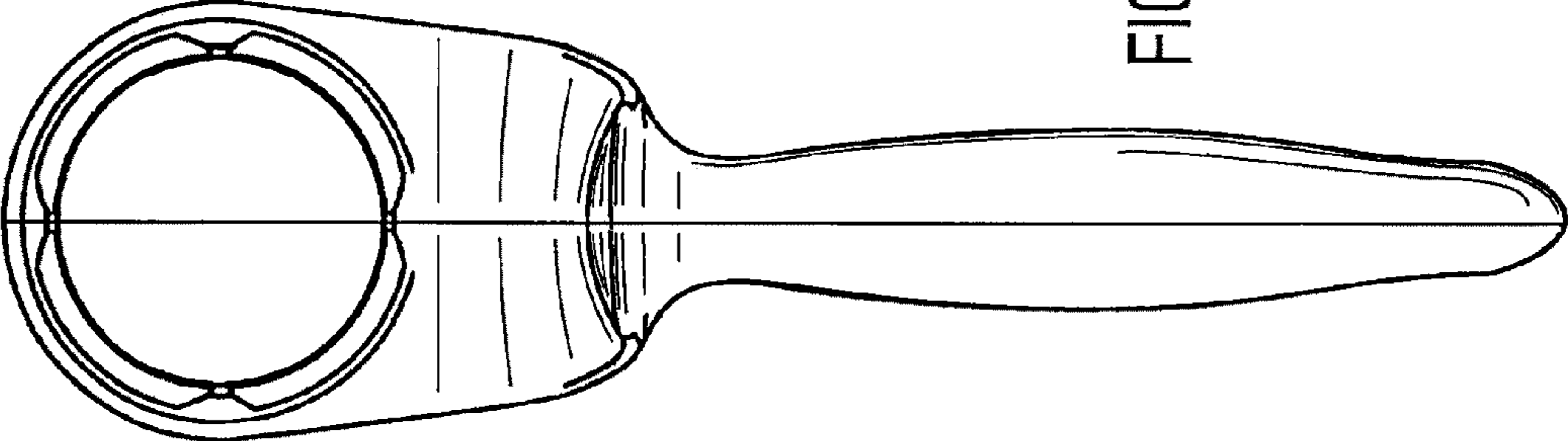


FIG. 5

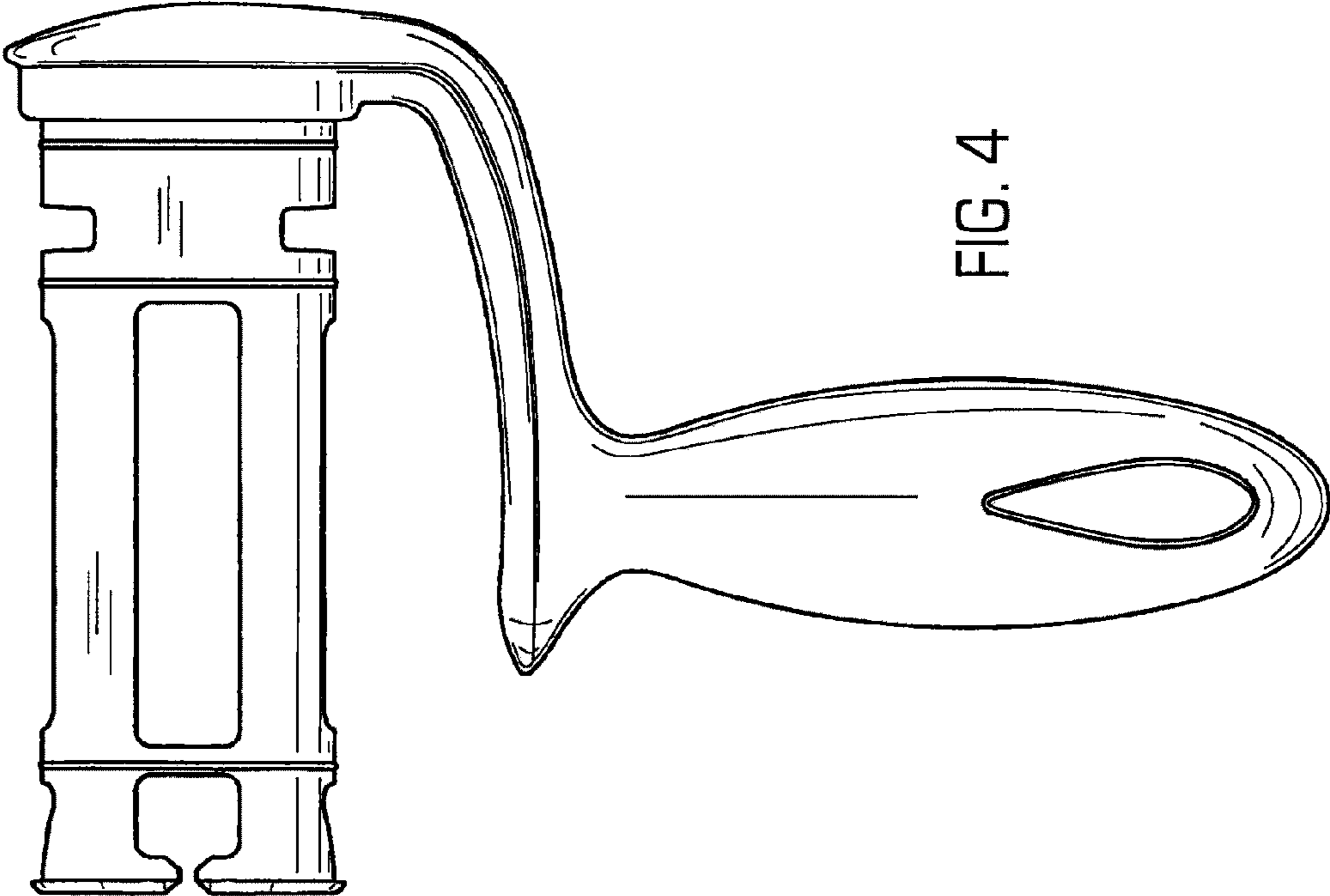


FIG. 4